

ASSEMBLY / PARTS LIST (B.O.M.)

Series: 450-T
Type: Casement (Butt Hinge)

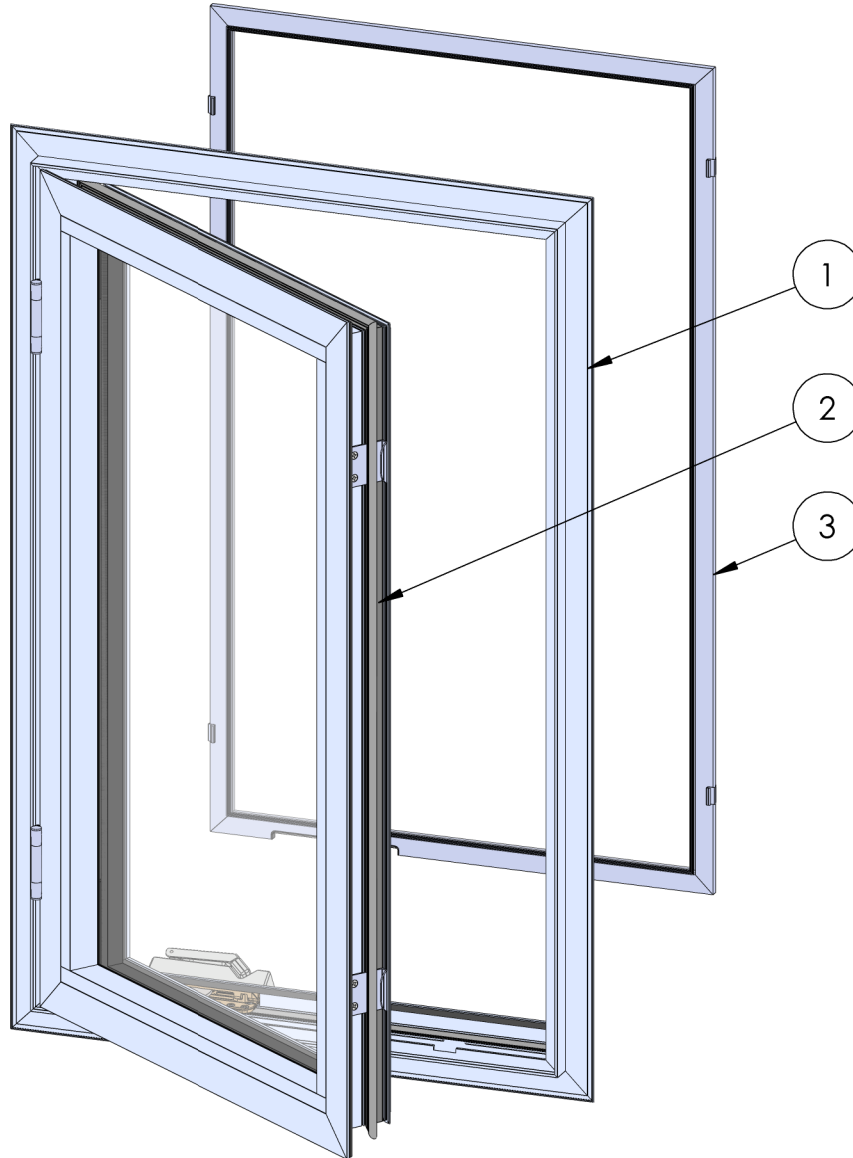


TABLE OF CONTENTS

ITEM NO.	DESCRIPTION	PAGE #
1	Frame Assembly	2
2	Vent Assembly	3
3	Screen Assembly	4
4	Tables	5

Description
 Table of Contents

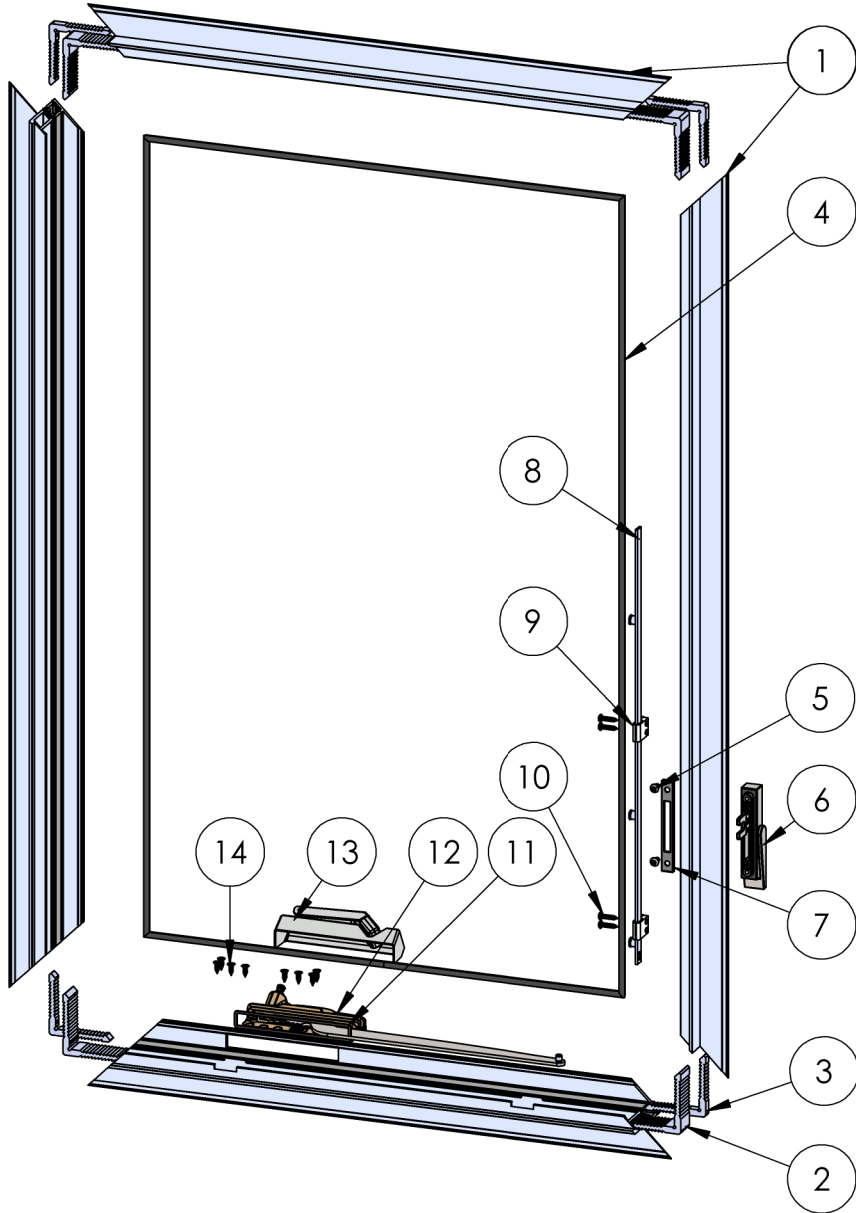
File Name
 Series 450-T Casement Butt
 Hinges Assembly

REV
D

Released 5/20/2024

SHEET 1 OF 5

ASSEMBLY / PARTS LIST (B.O.M.)



Extrusions			
ITEM NO.	PART NUMBER	DESCRIPTION	QTY.
1	4501	Frame	1
2	05P04-1	Corner Key	4
Hardware			
ITEM NO.	PART NUMBER	DESCRIPTION	QTY.
3	26228	Corner Key, 0.375"	4
4	26233	Flexible Bulb Vinyl	1
5	26142	#10-24 Torx Screw, 0.375", SS, T25	2
6	26065	Multipoint Latch	1
7	26067	Multipoint Latch Cover Plate	1
8	See Table A	Multipoint Tie Bar	1
9	24731	24731, Tie Bar Guide	2
10	20314	#8 PHP-A Screw, .75 in.	4
11	27510	Neoprene Rubber Gasket	1
12	See Table C	Casement Roto Operator	1
13	See Table B	Encore Roto Handle and Cover	1
14	20240	#8 FHP-A-UC Screw, 0.5", Clear	8

Description
Frame Assembly / B.O.M.

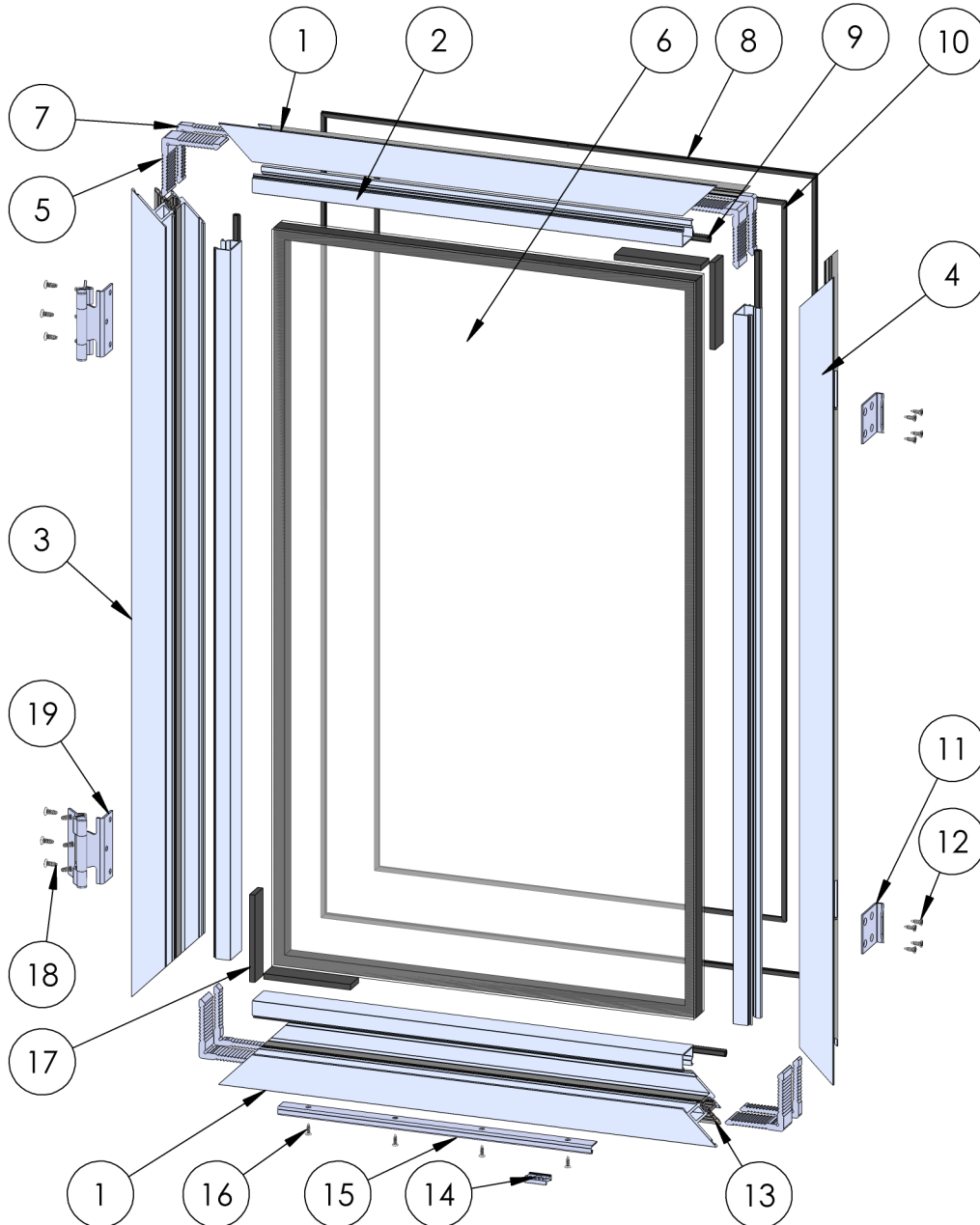
File Name
Series 450-T Casement Butt
Hinges Assembly

REV
D

Released 5/20/2024

SHEET 2 OF 5

ASSEMBLY / PARTS LIST (B.O.M.)



EXTRUSIONS

ITEM NO.	PART NUMBER	DESCRIPTION	QTY.
1	4502	Top and Bottom Horizontal	2
2	4503, 4504, 4505	Glass Stop (1", 1.25", 1.75")	4
3	4502	Butt Hinge Vertical	1
4	4502	Locking Vertical	1
5	05P04-1	Corner Key, 1"	4

HARDWARE

ITEM NO.	PART NUMBER	DESCRIPTION	QTY.
6	-	Glass	1
7	05P04	Corner Key, 0.375"	4
8	26233	Flexible Bulb Vinyl	1
9	25031	Large Bulb Vinyl	2
10	25199	Mini Bulb Vinyl	1
11	26069	Multipoint Keeper	2
12	20240	#8 FHP-A-UC Screw, 0.5", Clear	8
13	26226	Foam Seal	2
14	27499	Slider Roto Encore	1
15	27500	Track Roto Encore	1
16	20887	#6 FHP-A-UC Screw, 0.5" (SS)	4
17	18620	Setting Block 4" x 1/4"x1"	8
18	20272, 20273	#10 FHP-B-UC, 0.5 in, (Clear, Black)	12
19	See Table D	Butt Hinge	-

Description
Vent Assembly / B.O.M.

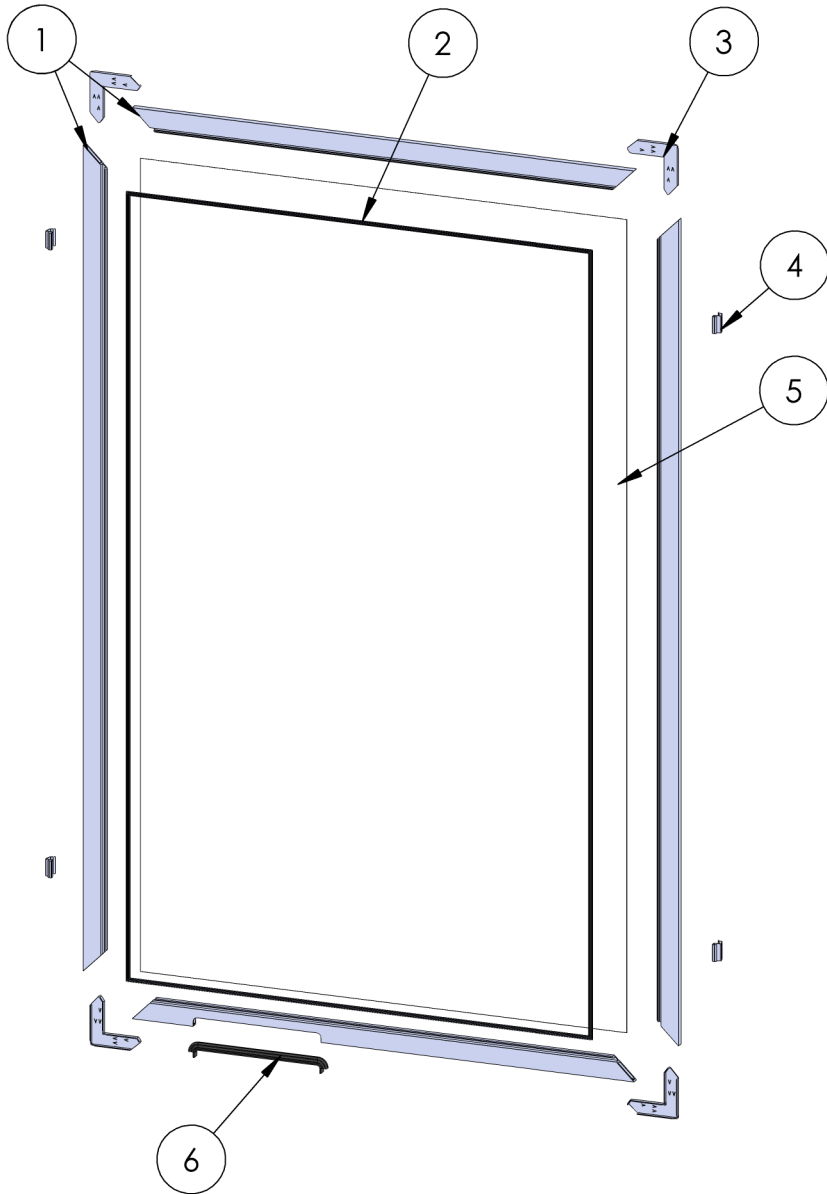
File Name
Series 450-T Casement Butt Hinges Assembly

REV
D

Released 5/20/2024

SHEET 3 OF 5

ASSEMBLY / PARTS LIST (B.O.M.)



EXTRUSIONS

ITEM NO.	PART NUMBER	DESCRIPTION	QTY.
1	114FF	.3125 Screen Frame	4
HARDWARE			
2	19127	SCREEN RUBBER SPLINE .150	1
3	27129	Screen Corner Key	2
4	25173, 25753	Screen Clip, SS, Clear, Black	4
5	-	Screen Mesh	1
6	27464	Flat Screen Edge Cover	1

Description
Screen Assembly / B.O.M.

File Name
Series 450-T Casement Butt
Hinges Assembly

REV
D

Released 5/20/2024

SHEET 4 OF 5

ASSEMBLY / PARTS LIST (B.O.M.)

Frame Height (in.)	Tie Bar ID #
>22	19005
≥26	19006
≥30	19007
≥34	18960
≥38	18959
≥42	18961
≥46	18969
≥50	18946
≥54	18956
≥58	18955
≥62	18954
≥66	23296
≥70	24671
≥74	24670
≥78	23385
≥86, ≤101	23385, 18959

Hinge Location (From Exterior)	Color	ID #
LH	BCN	27507
	Black	27505
RH	BCN	27506
	Black	27504

Hinge Location (From Exterior)	Arm Type	Arm Length (in.)	ID #
LH	Painted Steel	9	27495
		12	27491
	S.S.	9	27497
		12	27493
RH	Painted Steel	9	27496
		12	27492
	S.S.	9	27498
		12	27494

Butt Hinge Type	Color	PART #	QTY
Standard	S.S.	26057	2-4
	Black	26058	2-4
HP	S.S.	27102	2-4
	Black	27103	2-4

Description	
Tables	
File Name	REV
Series 450-T Casement Butt Hinges Assembly	D
Released	SHEET 5 OF 5
5/20/2024	