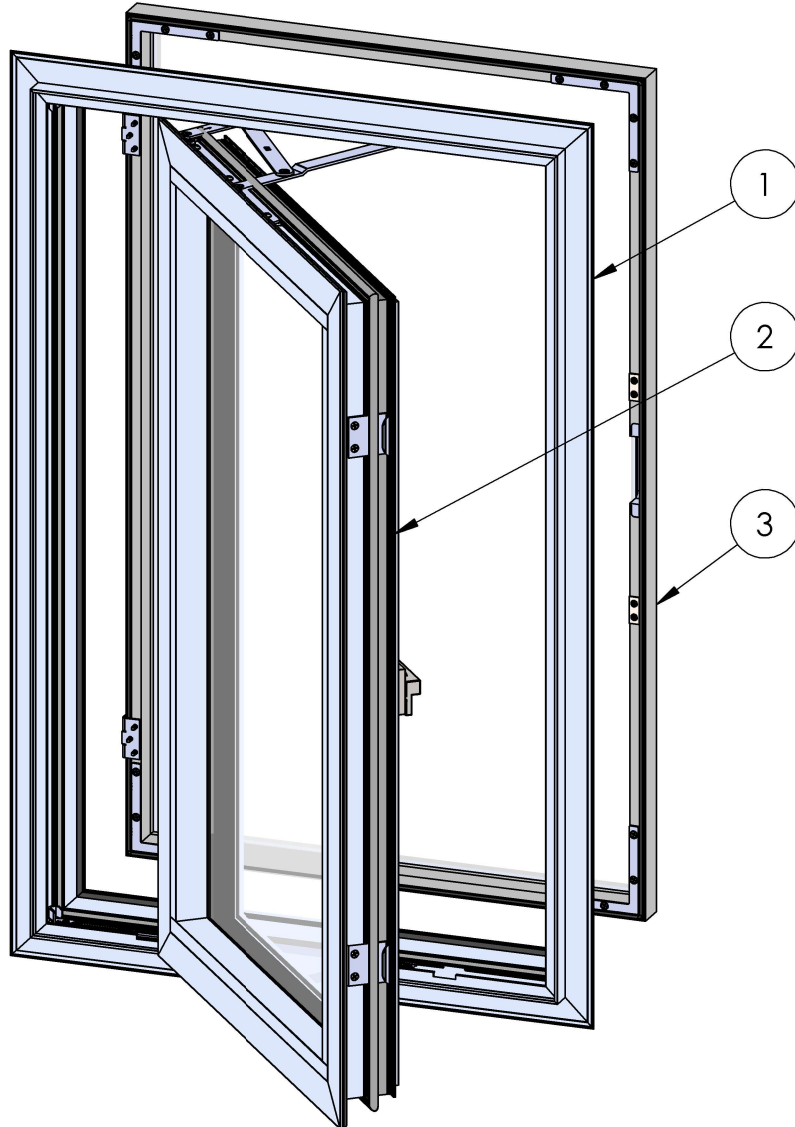


# ASSEMBLY / PARTS LIST (B.O.M.)

**Series: 450-T**  
**Type: Casement (4-Bar)**



## TABLE OF CONTENTS

ITEM NO.	DESCRIPTION	PAGE #
1	Frame Assembly	2
2	Vent Assembly	3
3	Hinge Screen	4
4	Tables	5

Description  
 Table of Contents

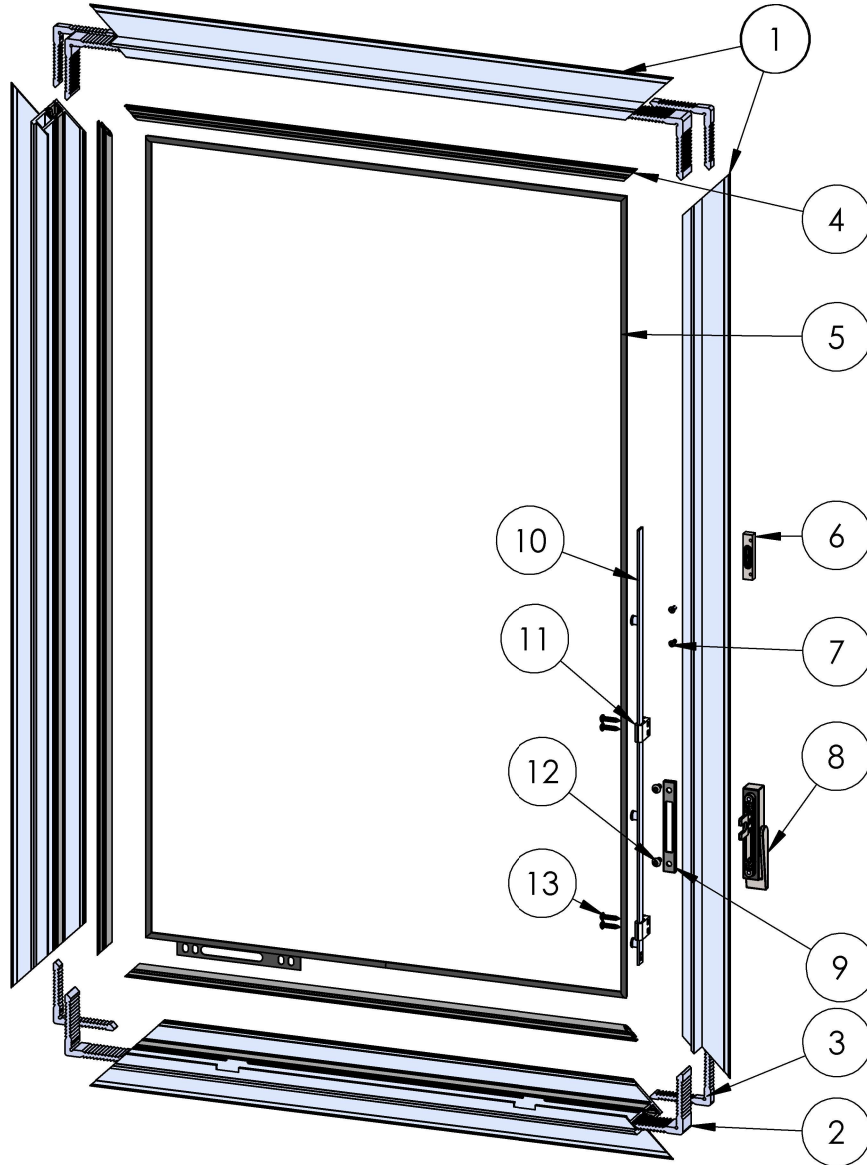
File Name  
 Series 450-T Casement 4-bar  
 Assembly

REV  
**B**

Released 7/24/2023

SHEET 1 OF 5

# ASSEMBLY / PARTS LIST (B.O.M.)



## EXTRUSIONS

ITEM NO.	PART NUMBER	DESCRIPTION	QTY.
1	4501	450-T Frame	4
2	05P04-1	Corner Key-1"	4

## HARDWARE

3	26228	Corner Key, 0.375"	4
4	26226	Foam Seal, 32324	2
5	26233	Flexible Bulb Vinyl	1
6	26061	Cam Handle Strike	1
7	25890	#6-32 FHP-B Screw, .375 in.	2
8	26065	Multipoint Latch	1
9	26067	Multipoint Latch Cover Plate	1
10	Table A	Multipoint Tie Bar	1
11	24731	24731, Tie Bar Guide	2
12	26142	#10-24 Torx Screw, 0.375", SS, T25	2
13	20314	#8 PHP-A Screw, .75 in.	4
18	27126	Neoprene Rubber Gasket	1

Description  
Frame Assembly / B.O.M.

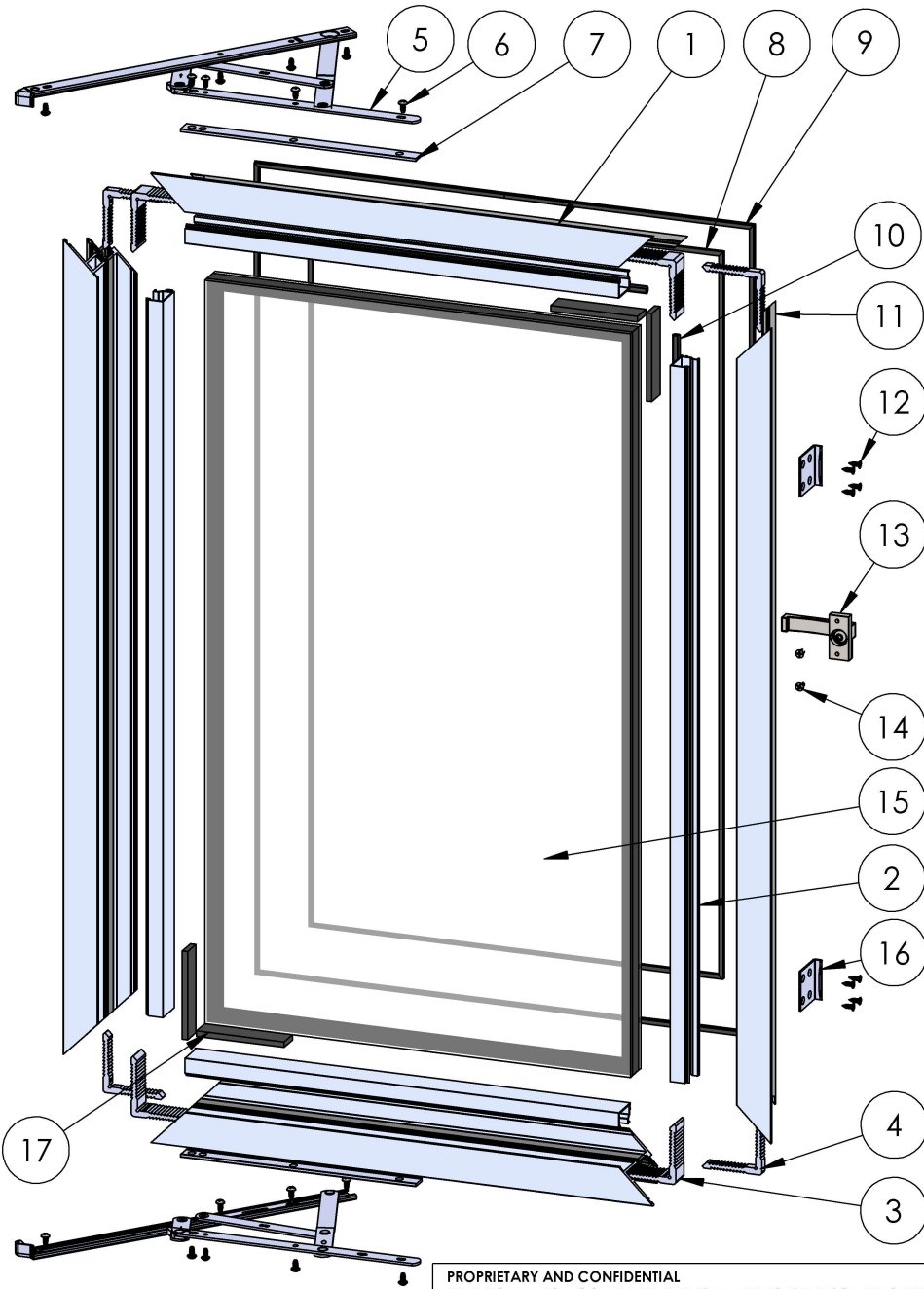
File Name  
Series 450-T Casement 4-bar  
Assembly

REV  
**B**

Released 7/24/2023

SHEET 2 OF 5

# ASSEMBLY / PARTS LIST (B.O.M.)



## EXTRUSIONS

ITEM NO.	PART NUMBER	DESCRIPTION	QTY.
1	4502	Vent	4
2	4503, 4504, 4505	Glass Stop (1", 1.25", 1.75")	4
3	05P04-1	Corner Key- 1"	4

## HARDWARE

4	26228	Corner Key, 0.375"	4
5	24932, 22865, 24654, 24655, 18811, 22868	4 Bar Hinge (8", 10", 12", 16", 22")	2
6	20337	#10 PHP - B, 3/8", SS, Clear	16
7	26229, 26230, 26231, 26232	4 Bar Shim (10", 12", 16", 22")	2
8	25199	Mini Bulb Vinyl	1
9	26233	Flexible Bulb Vinyl	1
10	25031	Bulb Vinyl Large	4
11	26226	Foam Seal, 32324	4
12	20240	#8 FHP-A-UC Screw, 0.5", Clear	8
13	Table B	450-T Cam Handle	1
14	20266	#10-32 FHP-B-UC Screw, .375"	2
15	-	Glass	1
16	26069	Multipoint Keeper	Varies
17	18620	Setting Block 4" x 1/4"x1"	4

Description  
Vent Assembly / B.O.M.

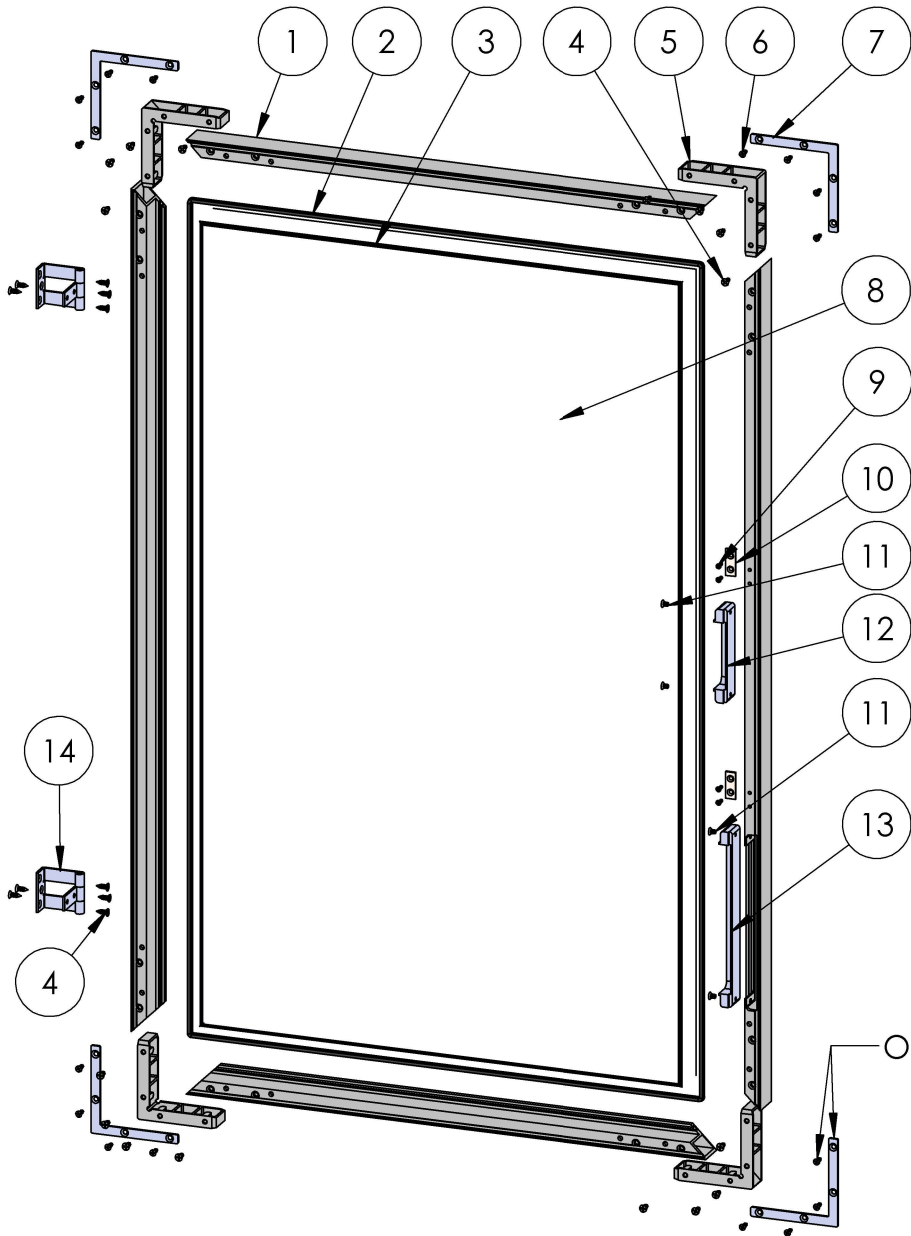
File Name  
Series 450-T Casement 4-bar  
Assembly

REV  
**B**

Released 7/24/2023

SHEET 3 OF 5

# ASSEMBLY / PARTS LIST (B.O.M.)



## EXTRUSIONS

ITEM NO.	PART NUMBER	DESCRIPTION	QTY.
1	958	Hinged Screen Frame	4
HARDWARE			
2	25189	Q-Lon Foam Seal	1
3	19127	Screen Rubber Spline .150	1
4	20240	#8 FHP-A-UC Screw, 0.5", Clear	26
5	25759	Corner Key	4
6	20885, 20887	#6 FHP-A-UC Screw, 0.5 in. (Black, SS)	16
7	25400, 25401	Hinge Screen Brace (BL, SS)	4
8	-	Screen Mesh	1
9	25784	#4 FHP-B-UC Screw, .375 in.	4
10	25406	Hinge Screen Magnet	2
11	26929	#8-32 FHP-B-UC Screw, .25 in., Black	4
12	27299	Cam Handle Cover-Hinged Screen	1
13	25228	Multipoint Cover-Hinged Screen	1
14	25216, 25756	Screen Hinge V 2, Black	2

ONLY FOR SIDE HINGED SCREENS

**PROPRIETARY AND CONFIDENTIAL**  
THE INFORMATION CONTAINED IN THIS DRAWING IS THE SOLE PROPERTY OF FLEETWOOD WINDOWS & DOORS.  
ANY REPRODUCTION IN PART OR AS A WHOLE WITHOUT THE WRITTEN PERMISSION OF FLEETWOOD WINDOWS & DOORS IS PROHIBITED.

Description Screen Assembly / B.O.M.	
File Name Series 450-T Casement 4-bar Assembly	REV <b>B</b>
Released 7/24/2023	SHEET 4 OF 5

# ASSEMBLY / PARTS LIST (B.O.M.)

Table A	
Frame Height (in.)	Tie Bar ID #
>22	19005
≥26	19006
≥30	19007
≥34	18960
≥38	18959
≥42	18961
≥46	18969
≥50	18946
≥54	18956
≥58	18955
≥62	18954
≥66	23296
≥70	24671
≥74	24670
≥78	23385
≥86, ≤101	23385, 18959

Table B		
Handing	Finish	PART #
RH	S.S.	26059
	Black	26062
LH	S.S.	26060
	Black	26063

Description	
Tables	
File Name	REV
Series 450-T Casement 4-bar Assembly	<b>B</b>
Released	SHEET 5 OF 5
7/24/2023	