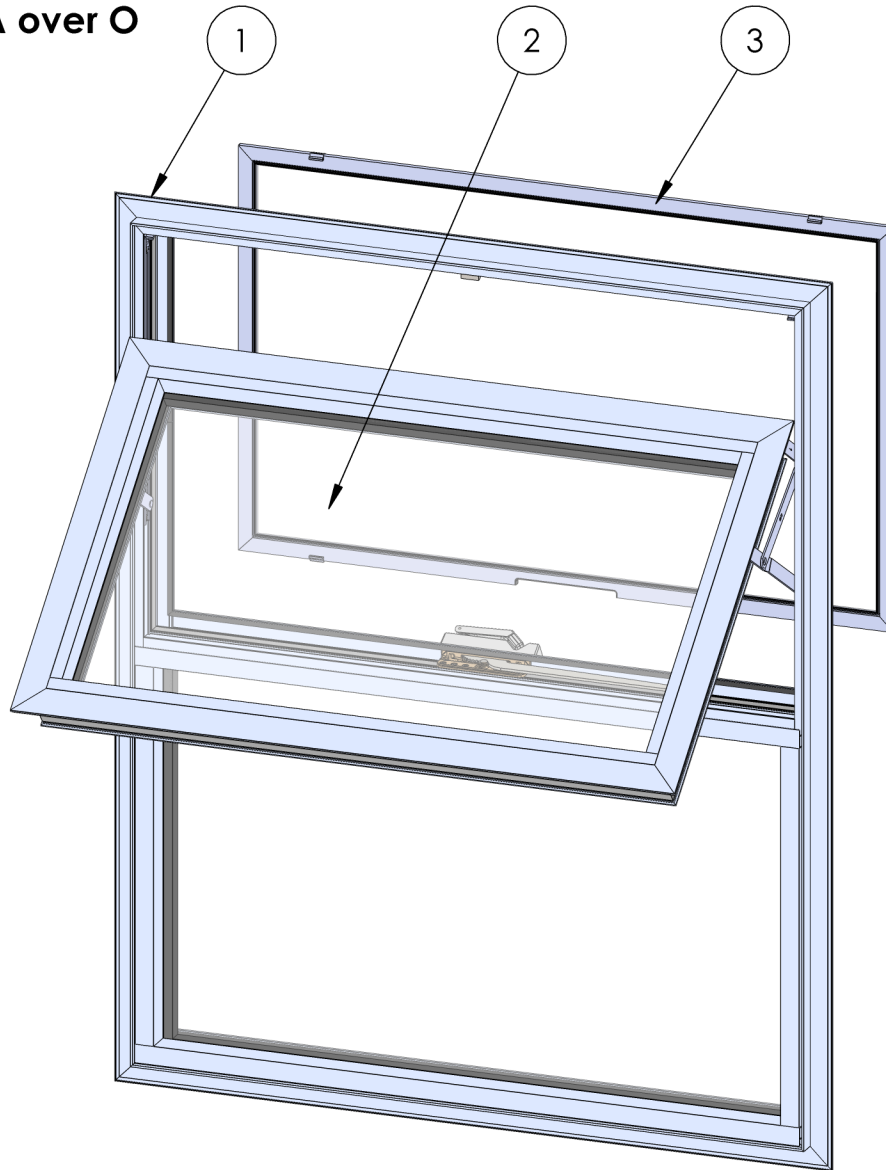


# ASSEMBLY / PARTS LIST (B.O.M.)

**Series: 450-T**  
**Type: A over O**



## TABLE OF CONTENTS

ITEM NO.	DESCRIPTION	PAGE #
1	Frame	2
2	Vent Awning	3
3	Flat Screen	4
4	Tables	5

Description  
Table of Contents

File Name  
Series 450-T A Over O  
Assembly

REV  
**D**

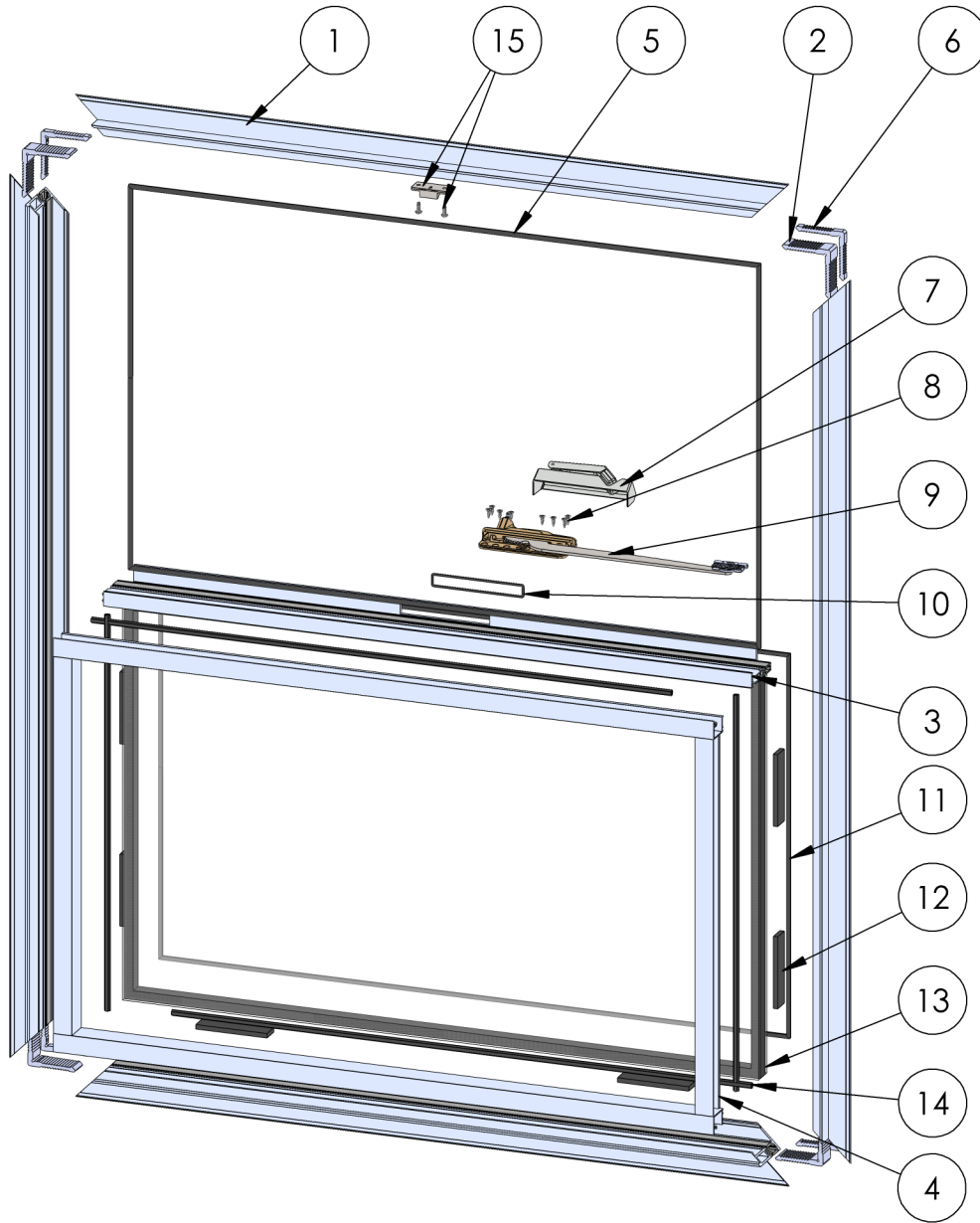
**PROPRIETARY AND CONFIDENTIAL**

THE INFORMATION CONTAINED IN THIS DRAWING IS THE SOLE PROPERTY OF FLEETWOOD WINDOWS & DOORS.  
ANY REPRODUCTION IN PART OR AS A WHOLE WITHOUT THE WRITTEN PERMISSION OF FLEETWOOD WINDOWS & DOORS IS PROHIBITED.

Released 4/2/2025

SHEET 1 OF 5

# ASSEMBLY / PARTS LIST (B.O.M.)

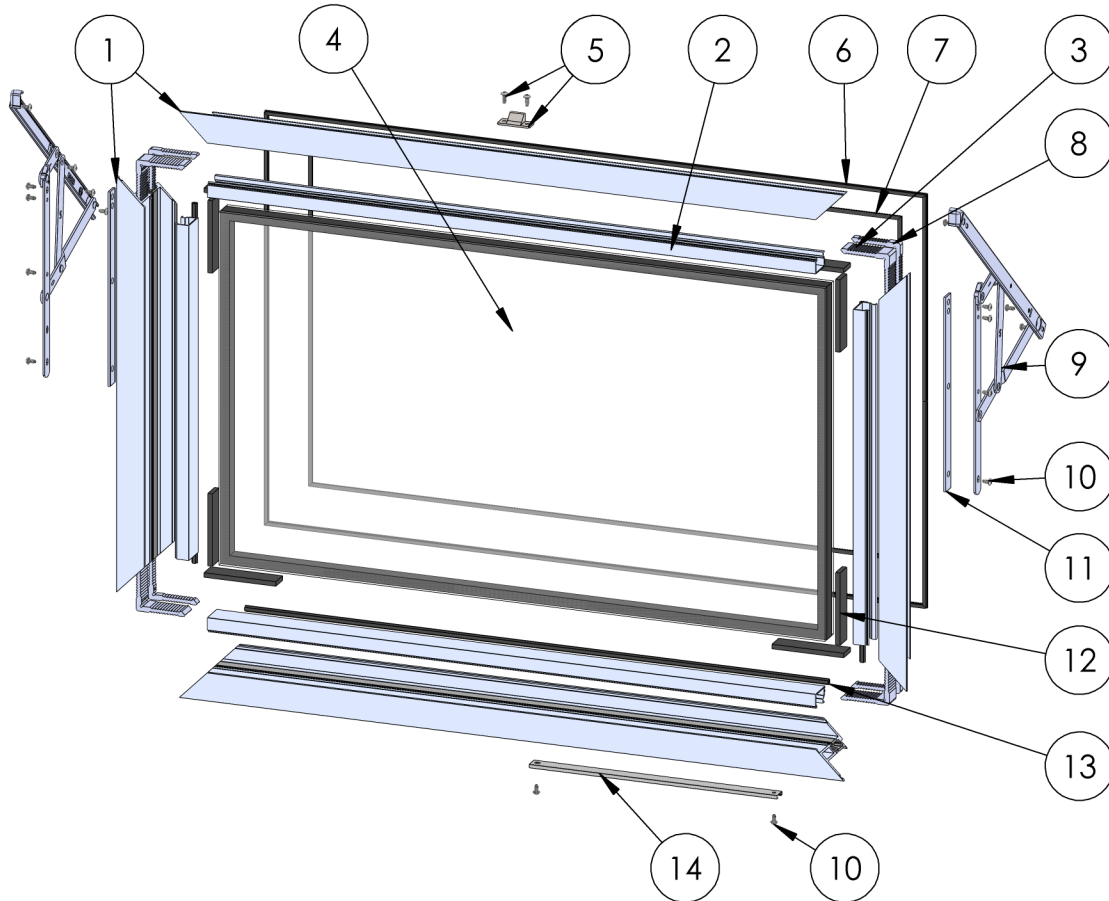


Extrusions			
ITEM NO.	PART NUMBER	DESCRIPTION	QTY.
1	4501	Frame	4
2	05P04-1	Corner Key	4
3	4506	TDL	1
4	4508	1.25 in. GTF Glass Stop	2
Hardware			
5	26233	Flexible Bulb Vinyl	1
6	26228	Corner Key, 0.375"	4
7	See Table B	Encore Roto Handle and Cover	1
8	20240	#8 FHP-A-UC Screw, 0.5", Clear	8
9	See Table A	Awning Roto Operator	1
10	27510	Encore Gasket	1
11	25199	Mini Bulb Vinyl	1
12	18620	Setting Block 4" x 1/4"x1"	8
13	-	Glass	1
14	25031	Bulb Vinyl Large	2
15	See Table C	Snubber, Frame Portion	-

**PROPRIETARY AND CONFIDENTIAL**  
THE INFORMATION CONTAINED IN THIS DRAWING IS THE SOLE PROPERTY OF FLEETWOOD WINDOWS & DOORS.  
ANY REPRODUCTION IN PART OR AS A WHOLE WITHOUT THE WRITTEN PERMISSION OF FLEETWOOD WINDOWS & DOORS IS PROHIBITED.

Description		Frame
File Name	Series 450-T A Over O Assembly	REV <b>D</b>
Released	4/2/2025	SHEET 2 OF 5

# ASSEMBLY / PARTS LIST (B.O.M.)



EXTRUSIONS			
ITEM NO.	PART NUMBER	DESCRIPTION	QTY.
1	4502	Vent	4
2	4503, 4504, 4505	Glass Stop (1", 1.25", 1.75")	4
3	05P04-1	Corner Key	4
HARDWARE			
4	-	Glass	1
5	See Table C	Snubber, Vent Portion	-
6	26233	Flexible Bulb Vinyl	1
7	25199	Mini Bulb Vinyl	1
8	26228	Corner Key, 0.375"	4
9	24932, 22865, 24654, 24655, 18811, 22868	4 Bar Hinge (8", 10", 12", 16", 16" Egress, 22")	1
10	20337	#10 PHP - B, 3/8", SS, Clear	18
11	26229, 26230, 26231, 26231	4 Bar Shim (10", 12", 16", 22")	2
12	18620	Setting Block 4" x 1/4"x1"	8
13	25031	Bulb Vinyl Large	4
14	20767	Track, PSRO	1

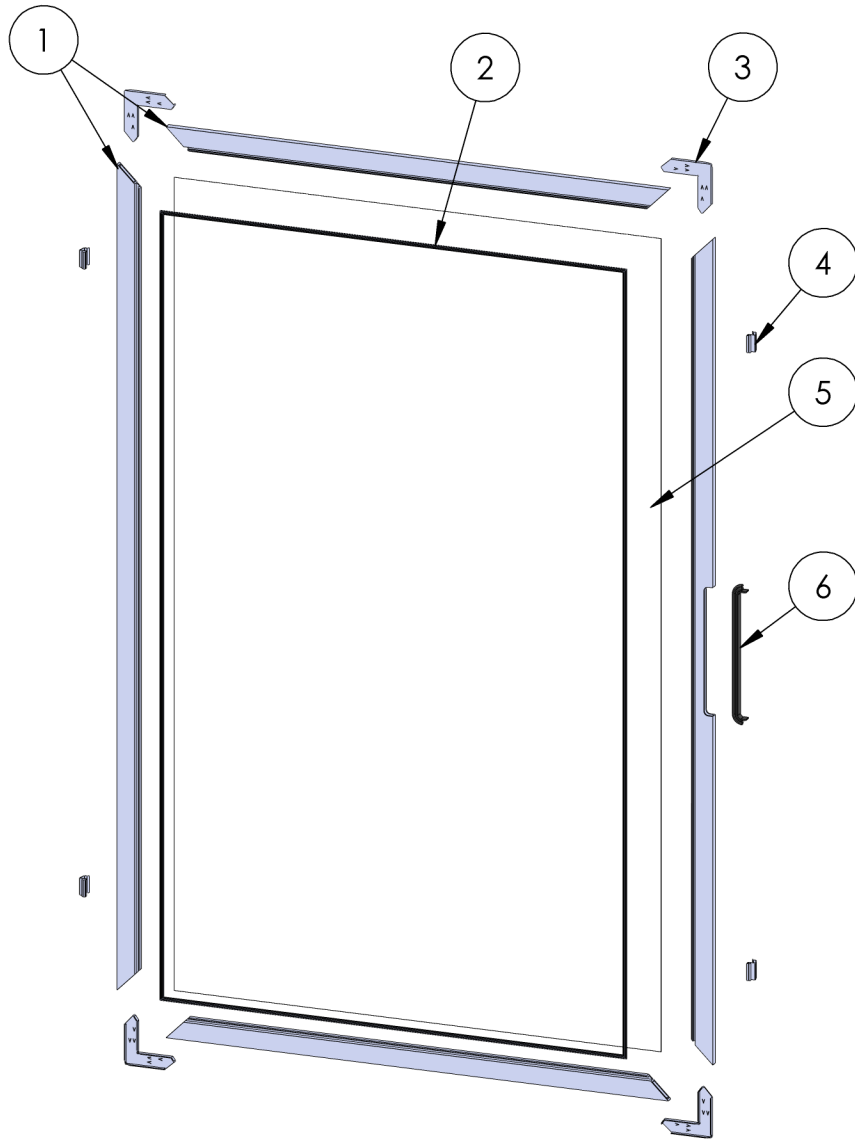
Description		Vent	
File Name		Series 450-T A Over O Assembly	REV D
Released	4/2/2025	SHEET 3 OF 5	

**PROPRIETARY AND CONFIDENTIAL**  
THE INFORMATION CONTAINED IN THIS DRAWING IS THE SOLE PROPERTY OF FLEETWOOD WINDOWS & DOORS.  
ANY REPRODUCTION IN PART OR AS A WHOLE WITHOUT THE WRITTEN PERMISSION OF FLEETWOOD WINDOWS & DOORS IS PROHIBITED.

# ASSEMBLY / PARTS LIST (B.O.M.)

Extrusions

ITEM NO.	PART NUMBER	DESCRIPTION	QTY.
1	114FF	.3125 Screen Frame	4
Hardware			
2	19127	SCREEN RUBBER SPLINE .150	1
3	27129	Screen Corner Key	2
4	25173, 25753	Screen Clip, SS, Clear, Black	4
5	-	Screen Mesh	1
6	27464	Flat Screen Edge Cover	1



Note:  
Orientation of panel is  
rotated 90° from image  
shown on page 1

**PROPRIETARY AND CONFIDENTIAL**  
THE INFORMATION CONTAINED IN THIS DRAWING IS THE SOLE PROPERTY OF FLEETWOOD WINDOWS & DOORS.  
ANY REPRODUCTION IN PART OR AS A WHOLE WITHOUT THE WRITTEN PERMISSION OF FLEETWOOD WINDOWS & DOORS IS PROHIBITED.

Description Screen Assembly / B.O.M.	
File Name Series 450-T A Over O Assembly	REV <b>D</b>
Released 4/2/2025	SHEET 4 OF 5

# ASSEMBLY / PARTS LIST (B.O.M.)

Table A: Roto Operator (LH Only)

Arm Type	Arm length	ID #
Painted Steel	12	27569
	6.5	27570
S.S.	12	27571
	6.5	27572

Table B: Roto Handle and Cover

Handle Location (From Exterior)	Color	ID #
LH	BCN	27507
	Black	27505

Table C: Snubbers

Vent Width	# of Snubbers 25245	Fastener 20338
≤ 48"	1	4
> 48"	2	8

**PROPRIETARY AND CONFIDENTIAL**

THE INFORMATION CONTAINED IN THIS DRAWING IS THE SOLE PROPERTY OF FLEETWOOD WINDOWS & DOORS.  
ANY REPRODUCTION IN PART OR AS A WHOLE WITHOUT THE WRITTEN PERMISSION OF FLEETWOOD WINDOWS & DOORS IS PROHIBITED.

Description		Tables	
File Name		Series 450-T A Over O Assembly	REV D
Released	4/2/2025	SHEET 5 OF 5	