

ASSEMBLY / PARTS LIST (B.O.M.)

Series: 4400-T

Type: H Configuration with Rixson Closer and 5-Point Latch

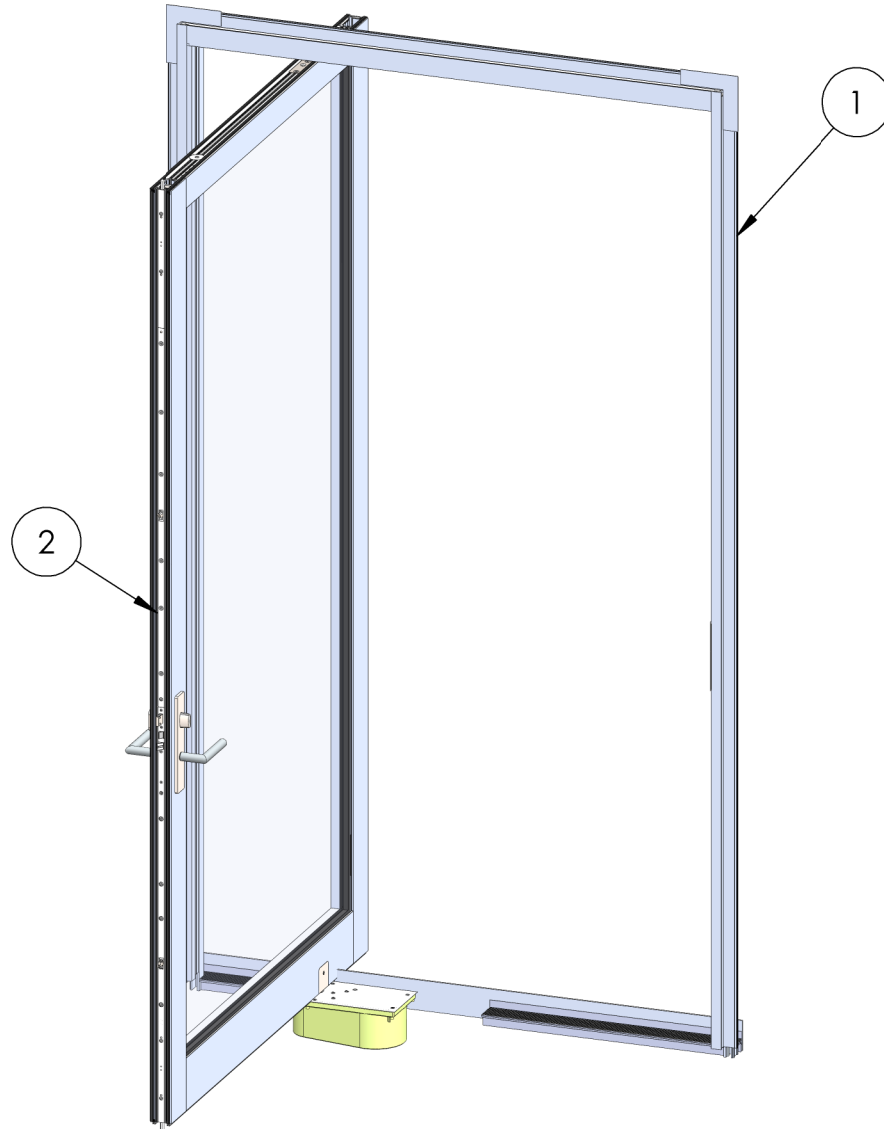


Table of Contents

ITEM NO.	DESCRIPTION	PAGE #
1	Frame Assembly	2-3
2	Panel Assembly	4-5
3	Tables	6

Description
 Table of Contents

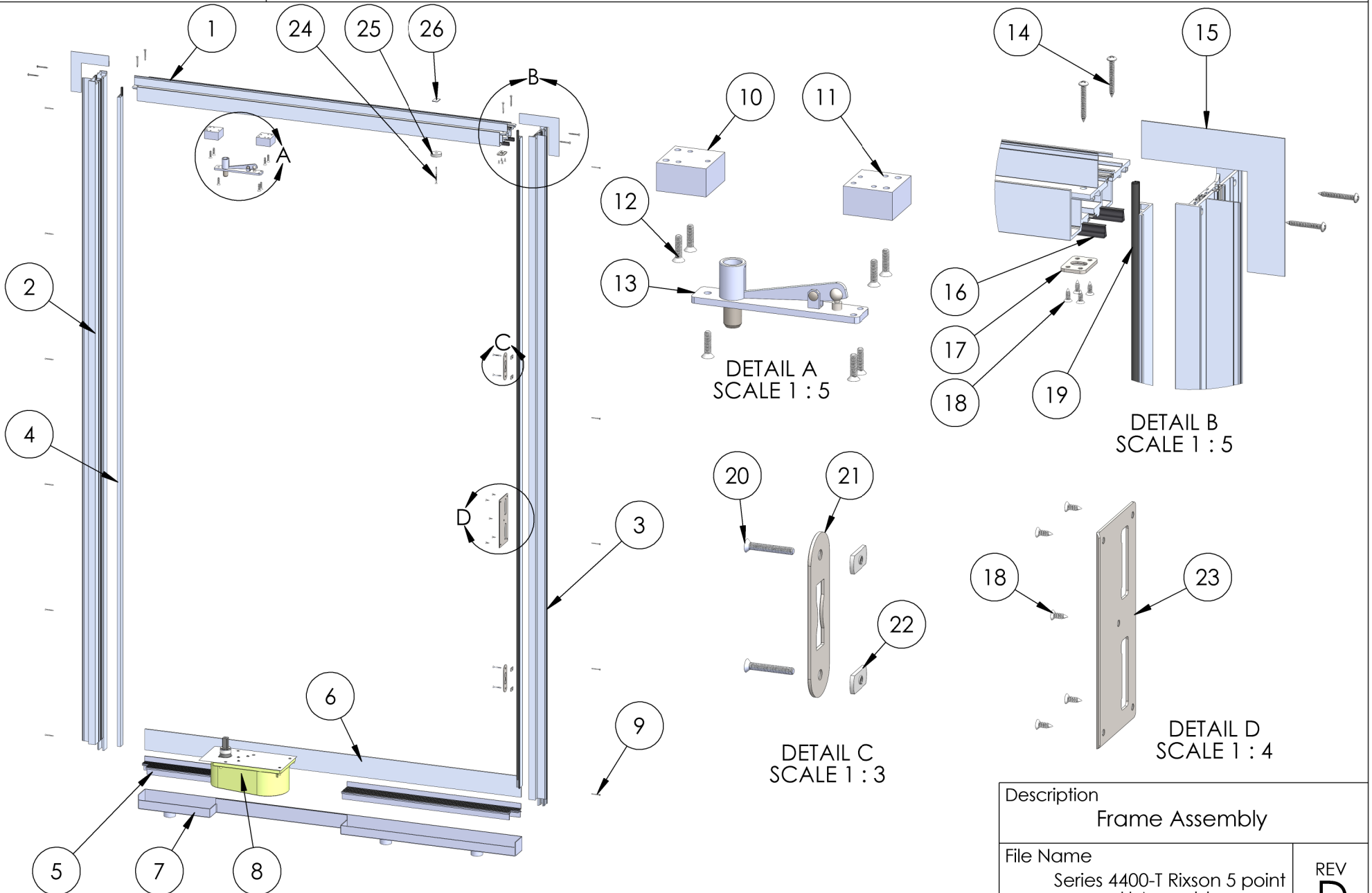
File Name
 Series 4400-T Rixson 5 point
 H Assembly

REV
D

Released 12/20/2023

SHEET 1 OF 6

ASSEMBLY / PARTS LIST (B.O.M.)



PROPRIETARY AND CONFIDENTIAL
THE INFORMATION CONTAINED IN THIS DRAWING IS THE SOLE PROPERTY OF FLEETWOOD WINDOWS & DOORS.
ANY REPRODUCTION IN PART OR AS A WHOLE WITHOUT THE WRITTEN PERMISSION OF FLEETWOOD WINDOWS & DOORS IS PROHIBITED.

Description Frame Assembly	
File Name Series 4400-T Rixson 5 point H Assembly	REV D
Released 12/20/2023	SHEET 2 OF 6

ASSEMBLY / PARTS LIST (B.O.M.)

Extrusions

ITEM NO.	PART NUMBER	DESCRIPTION	QTY.
1	4401	Head	1
2	4402	Pivot Jamb	1
3	4402	Active Jamb	1
4	4410	Panel Stops	2
5	4411	Sill	2
6	FW1201	Slot Drain Spacer	1

Hardware

ITEM NO.	PART NUMBER	DESCRIPTION	QTY.
7	-	Arche-Duct	1
8	See Table A	Rixson Floor Closer	1
9	25751	#6 FHP-A, 1.25", SS, Clear	VARIES
10	26324	Head Pivot Block 1 of 2	1
11	26370	Head Pivot Block 2 of 2	1
12	26325	1/4"-20 Torx FH Screw, 1"	7
13	26476	Top Pivot (Head Portion)	1
14	20353	#10 PHP-A Screw, 1.5"	8
15	18629	Nail-Fin Corner (For Nail-Fin Door)	2

Hardware

ITEM NO.	PART NUMBER	DESCRIPTION	QTY.
16	27031	Large Fin Seal Mohair	2
17	26341	Shoot Bolt Strike Plate	1
18	20240	#8 FHP-A-UC, 1/2", SS, Clear	9
19	26410	Extra Large Bulb Vinyl	2
20	25343	#8-32 FHP Screw, 1.125"	4
21	27056	Jamb Hook Strike	2
22	27246	Low-Profile Narrow-Base Weld Nut	4
23	26321	Latch-Deadbolt Strike Plate	1
24	27473	#10-32 FHP Screw, 2.375"	1
25	27470	Neodymium Magnet	1
26	18671	Back Up Plate # 10-32 x 0.075 Thk.	1

Description

Frame B.O.M.

File Name

Series 4400-T Rixson 5 point
H Assembly

REV
D

Released

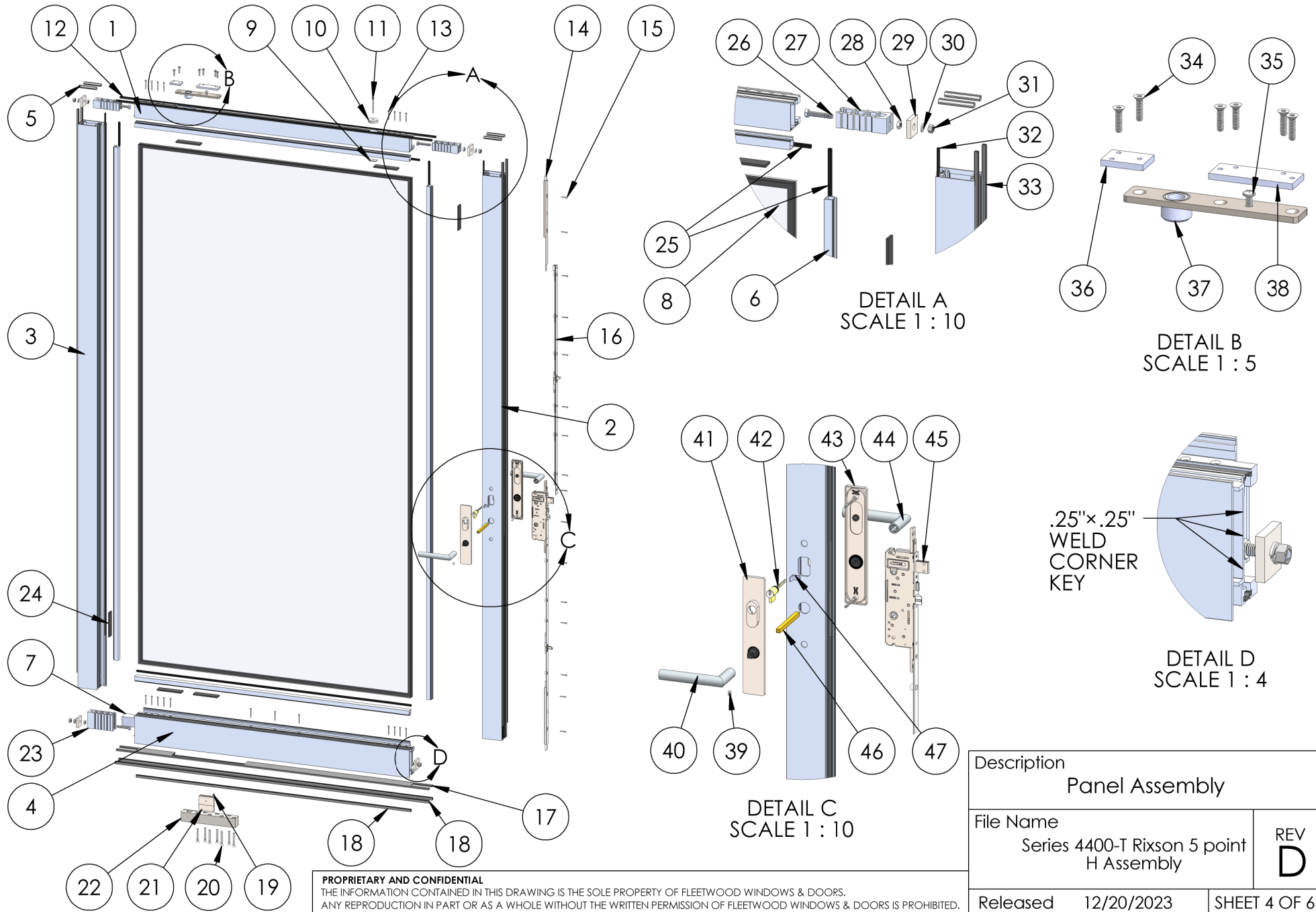
12/20/2023

SHEET 3 OF 6

PROPRIETARY AND CONFIDENTIAL

THE INFORMATION CONTAINED IN THIS DRAWING IS THE SOLE PROPERTY OF FLEETWOOD WINDOWS & DOORS.
ANY REPRODUCTION IN PART OR AS A WHOLE WITHOUT THE WRITTEN PERMISSION OF FLEETWOOD WINDOWS & DOORS IS PROHIBITED.

ASSEMBLY / PARTS LIST (B.O.M.)



PROPRIETARY AND CONFIDENTIAL
THE INFORMATION CONTAINED IN THIS DRAWING IS THE SOLE PROPERTY OF FLEETWOOD WINDOWS & DOORS.
ANY REPRODUCTION IN PART OR AS A WHOLE WITHOUT THE WRITTEN PERMISSION OF FLEETWOOD WINDOWS & DOORS IS PROHIBITED.

Description	
Panel Assembly	
File Name	REV
Series 4400-T Rixson 5 point H Assembly	D
Released	SHEET 4 OF 6
12/20/2023	

ASSEMBLY / PARTS LIST (B.O.M.)

Extrusions

ITEM NO.	PART NUMBER	DESCRIPTION	QTY.
1	4404	Top Rail	1
2	4407	Multipoint Stile	1
3	4408	Pivot Stile	1
4	4412	Bottom Rail	1
5	3916	Seal Clips (3")	4
6	3907	1" Glass Stop (Shown)	4
7	FW1214	1.5"×1.5"×.188" Tube, 24"	1

Hardware

ITEM NO.	PART NUMBER	DESCRIPTION	QTY.
8	-	Glass	1
9	18671	Back Up Plate # 10-32 x 0.075 Thk.	1
10	27470	Neodymium Magnet	1
11	27473	#10-32 FHP Screw, 2.375"	1
12	19122	Weatherstrip Mohair	2
13	20252	#8 FHP Screw, 1.50"	20
14	25054	Shoot bolt	1
15	20247	#8 FHP Screw, 1"	Varies
16	See Table B	Upper Bar Assembly	1
17	27471	Weather Seal Track	1
18	27461	Mohair 390270	3
19	26414	#8-32 FH Torx Screw, 0.5"	1
20	26331	5/16"-18 FHP Screw, 2.250"	7
21	26337, 27234	Rixson Load Arm Cover (SS, BL)	1
22	24859	Rixson 587 Side Load Arm Assembly Set	1
23	26303	Corner Block, 2.625"	2
24	27313	Setting Block 4" x 3/16" x 1"	6
25	25031	Large Bulb Vinyl	4

Hardware

ITEM NO.	PART NUMBER	DESCRIPTION	QTY.
26	25203	Hex Head Cap Screw 3/8"-16, 2.0"	4
27	25571	Corner Block, 1.25"	2
28	25176	.375"-16 Stainless Steel Hex Nut, .5625" Wt, .218" Ht	4
29	25025	Back up Plate for Panel	4
30	25024	.375" Split Lock Washer	4
31	25023	3/8"-16 Stainless Steel Hex Nut	4
32	25199	Mini Bulb Vinyl	4
33	19115	Large Mohair	4
34	26325	1/4"-20 Torx FH Screw, 1"	6
35	20357	#1/4-20 PHP - B, 1/2", SS, Clear	1
36	26328	Top Rail Plate 1 of 2	1
37	26476	Top Pivot (Panel Portion)	1
38	26329	Top Rail Plate 2 of 2	1
39	26318	Cup-Point Set Screw M6 x 1 mm, 8 mm	2
40	26190, 26192	FSB 1076 Lever LH (SS, Black)	1
41	26204, 26207	Escutcheon plate w/ Cylinder Collar (S.S., Black))	1
42	25063	Rim Cylinder	1
43	26205, 26208	Escutcheon plate w/ Thumbturn & Fasteners (SS, BL)	1
44	26189, 26191	FSB 1076 Lever RH (SS, Black)	1
45	27048	Active Lower Gear Assembly	1
46	26195	Spindle	1
47	25187	L-Clip	1

Description

Panel B.O.M.

File Name

Series 4400-T Rixson 5 point
H Assembly

REV
D

Released

12/20/2023

SHEET 5 OF 6

PROPRIETARY AND CONFIDENTIAL

THE INFORMATION CONTAINED IN THIS DRAWING IS THE SOLE PROPERTY OF FLEETWOOD WINDOWS & DOORS.
ANY REPRODUCTION IN PART OR AS A WHOLE WITHOUT THE WRITTEN PERMISSION OF FLEETWOOD WINDOWS & DOORS IS PROHIBITED.

ASSEMBLY / PARTS LIST (B.O.M.)

TABLE A: Rixson Floor Closer Options

Pivot Location	Swing	Degrees	ID
Left	Inswing	105	25625
		90	25626
	Outswing	105	25627
		90	25628
Right	Inswing	105	25627
		90	25628
	Outswing	105	25625
		90	25626
Any	Dual	105	25629
		90	25631
Pivot Only		360	24987

Table B: Active Upper Bar Assembly Height

Panel Height	Component Number	Screw/QTY.
71"-73"	27049	6
73.0625"-81.1875"	27050	6
81.25"-89"	27051	7
89.0625"-97"	27052	8
97.0625"-105"	27053	9
105.0625"-112.9375"	27054	10
113"	27054, 25046	15
113.0625"-121"	27052, 25046	13
121.0625"-129"	27053, 25046	14
129.0625"-135"	27054, 25046	15

Description

Tables

File Name

Series 4400-T Rixson 5 point
H Assembly

REV
D

Released

12/20/2023

SHEET 6 OF 6

PROPRIETARY AND CONFIDENTIAL

THE INFORMATION CONTAINED IN THIS DRAWING IS THE SOLE PROPERTY OF FLEETWOOD WINDOWS & DOORS.
ANY REPRODUCTION IN PART OR AS A WHOLE WITHOUT THE WRITTEN PERMISSION OF FLEETWOOD WINDOWS & DOORS IS PROHIBITED.