

ASSEMBLY / PARTS LIST (B.O.M.)

Series: 4400-T

Type: HH Configuration with IRC and Archetype Latch

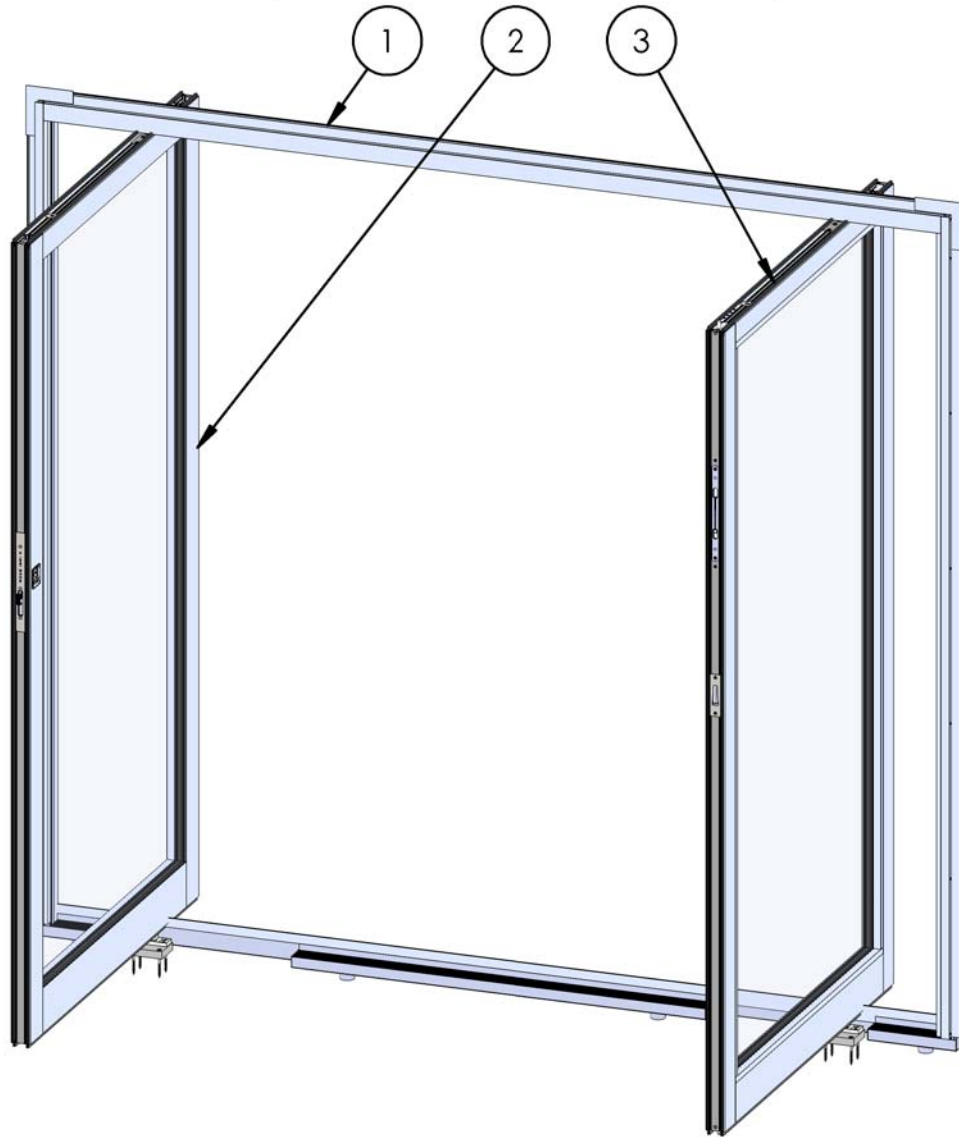


TABLE OF CONTENTS

| ITEM NO. | DESCRIPTION | QTY. | PAGE # |
|----------|----------------|------|--------|
| 1 | Frame Assembly | 1 | 2-3 |
| 2 | Active Panel | 1 | 4-5 |
| 3 | Inactive Panel | 1 | 6-7 |
| 4 | Tables | 1 | 8 |

NOTE:

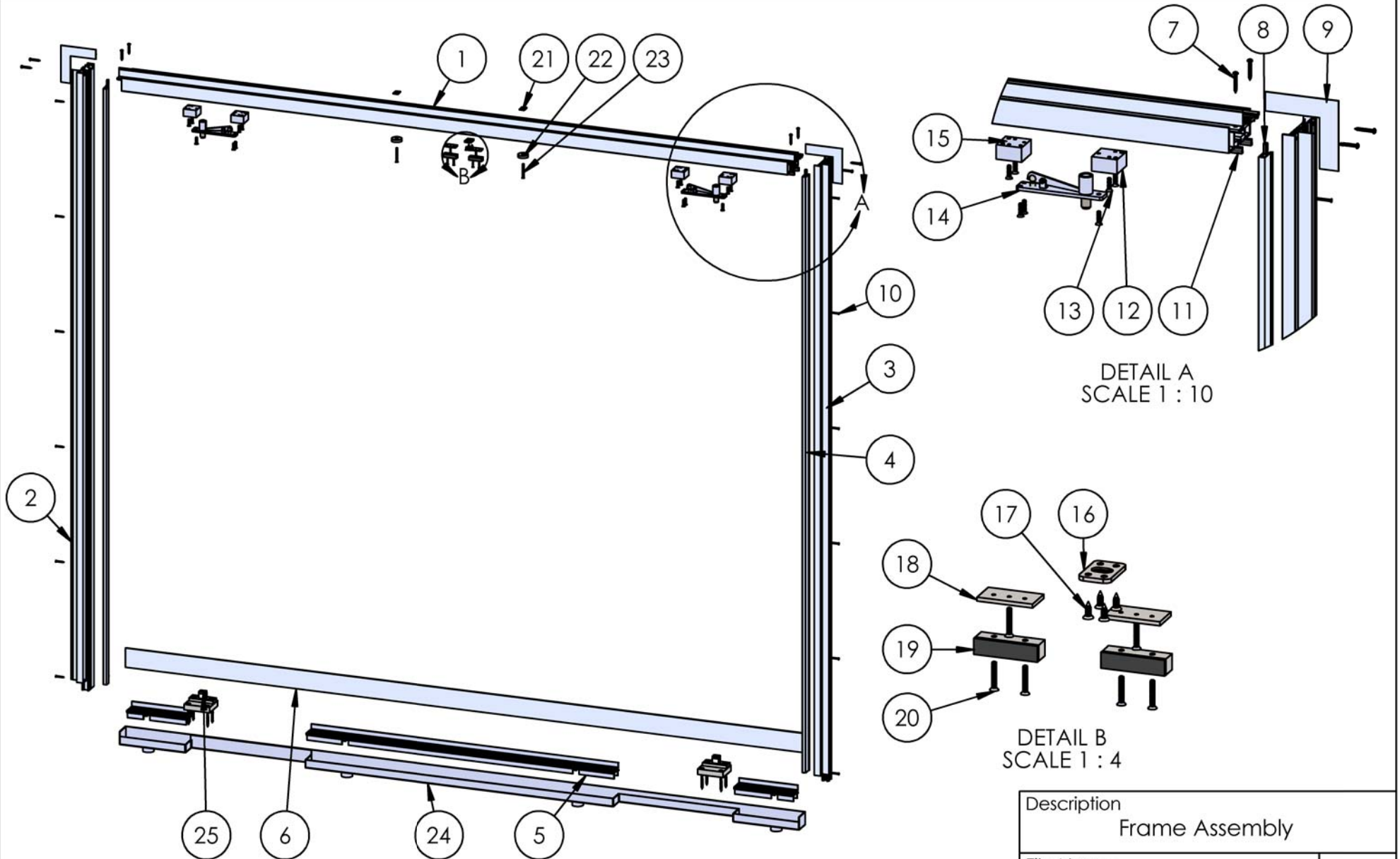
1.) Secondary latch only when net frame height $\geq 96"$. See 4400-T H assembly for detail.

PROPRIETARY AND CONFIDENTIAL

THE INFORMATION CONTAINED IN THIS DRAWING IS THE SOLE PROPERTY OF FLEETWOOD WINDOWS & DOORS. ANY REPRODUCTION IN PART OR AS A WHOLE WITHOUT THE WRITTEN PERMISSION OF FLEETWOOD WINDOWS & DOORS IS PROHIBITED.

| | |
|--|--------------|
| Description Table of Contents | |
| File Name Series 4400-T Fritsjurgens HH Assembly | REV D |
| Released 12/4/2023 | SHEET 1 OF 8 |

ASSEMBLY / PARTS LIST (B.O.M.)



| | |
|---|--------------|
| Description | |
| Frame Assembly | |
| File Name | REV |
| Series 4400-T Fritsjurgens HH Assembly | D |
| Released | SHEET 2 OF 8 |
| 12/4/2023 | |

PROPRIETARY AND CONFIDENTIAL
THE INFORMATION CONTAINED IN THIS DRAWING IS THE SOLE PROPERTY OF FLEETWOOD WINDOWS & DOORS.
ANY REPRODUCTION IN PART OR AS A WHOLE WITHOUT THE WRITTEN PERMISSION OF FLEETWOOD WINDOWS & DOORS IS PROHIBITED.

ASSEMBLY / PARTS LIST (B.O.M.)

Extrusions

| ITEM NO. | PART NUMBER | DESCRIPTION | QTY. |
|----------|-------------|-------------------|------|
| 1 | 4401 | Head | 1 |
| 2 | 4402 | Left Pivot Jamb | 1 |
| 3 | 4402 | Right Pivot Jamb | 1 |
| 4 | 4410 | Panel Stops | 2 |
| 5 | 4411 | Sill | 3 |
| 6 | FW1201 | Slot Drain Spacer | 1 |

Hardware

| ITEM NO. | PART NUMBER | DESCRIPTION | QTY. |
|----------|-------------|-------------------------------------|--------|
| 7 | 20353 | #10 PHP-A Screw, 1.5" | 8 |
| 8 | 26410 | Extra Large Bulb Vinyl | 2 |
| 9 | 18629 | Nail-Fin Corner (For Nail-Fin Door) | 2 |
| 10 | 25751 | #6 FHP-A, 1.25", SS, Clear | Varies |
| 11 | 27031 | Large Fin Seal Mohair | 2 |
| 12 | 26324 | Head Pivot Block 1 of 2 | 2 |
| 13 | 26325 | 1/4"-20 Torx FH Screw, 1" | 14 |
| 14 | 26476 | Top Pivot (Head Portion) | 2 |
| 15 | 26370 | Head Pivot Block 2 of 2 | 2 |
| 16 | 26341 | Shoot Bolt Strike Plate | 1 |
| 17 | 20240 | #8 FHP-A-UC, 1/2", SS, Clear | 4 |
| 18 | 24850 | Door Stop Back-up Plate | 2 |

Hardware

| ITEM NO. | PART NUMBER | DESCRIPTION | QTY. |
|----------|-------------|---|------|
| 19 | 24849 | Door Stop | 2 |
| 20 | 24848 | #6-32 FHP Screw, .875" | 6 |
| 21 | 18671 | Back Up Plate # 10-32 x 0.075 Thk. | 2 |
| 22 | 27470 | Neodymium Magnet | 2 |
| 23 | 25928 | #10-32 FHP Screw, 2.25" (Actual 2.188") | 2 |
| 24 | - | Arche-duct | 1 |
| 25 | 27122 | IRC Floor Plate Assembly - (Table C) | 2 |

Description

Frame B.O.M.

File Name

Series 4400-T Fritsjurgens
HH Assembly

REV
D

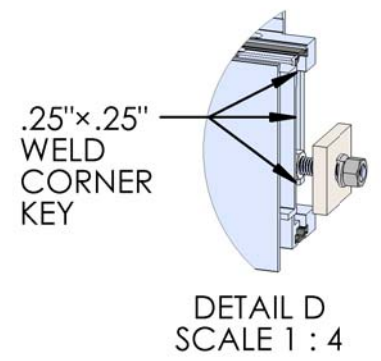
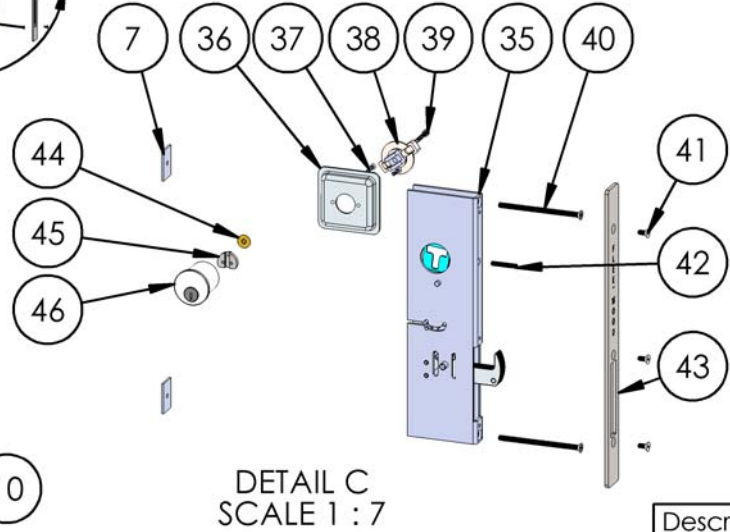
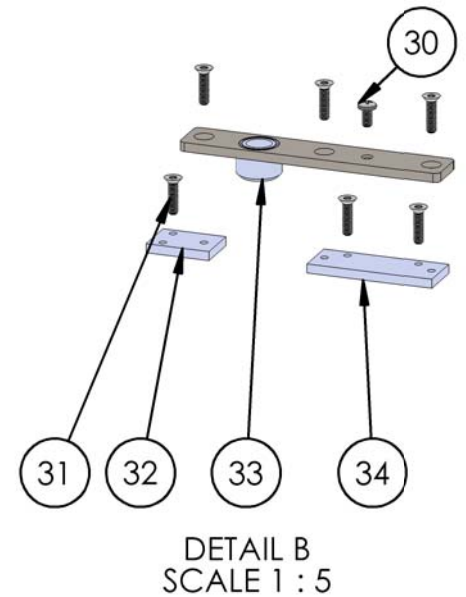
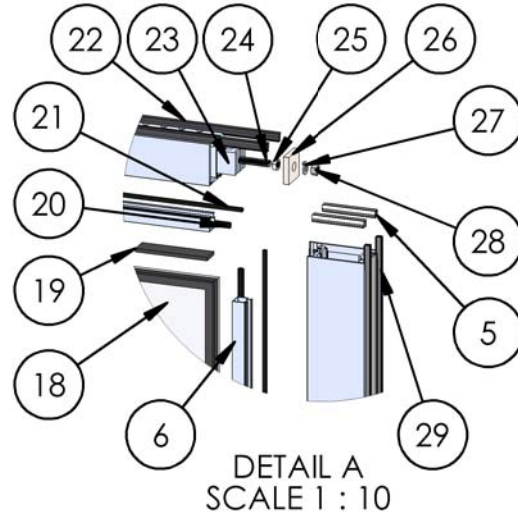
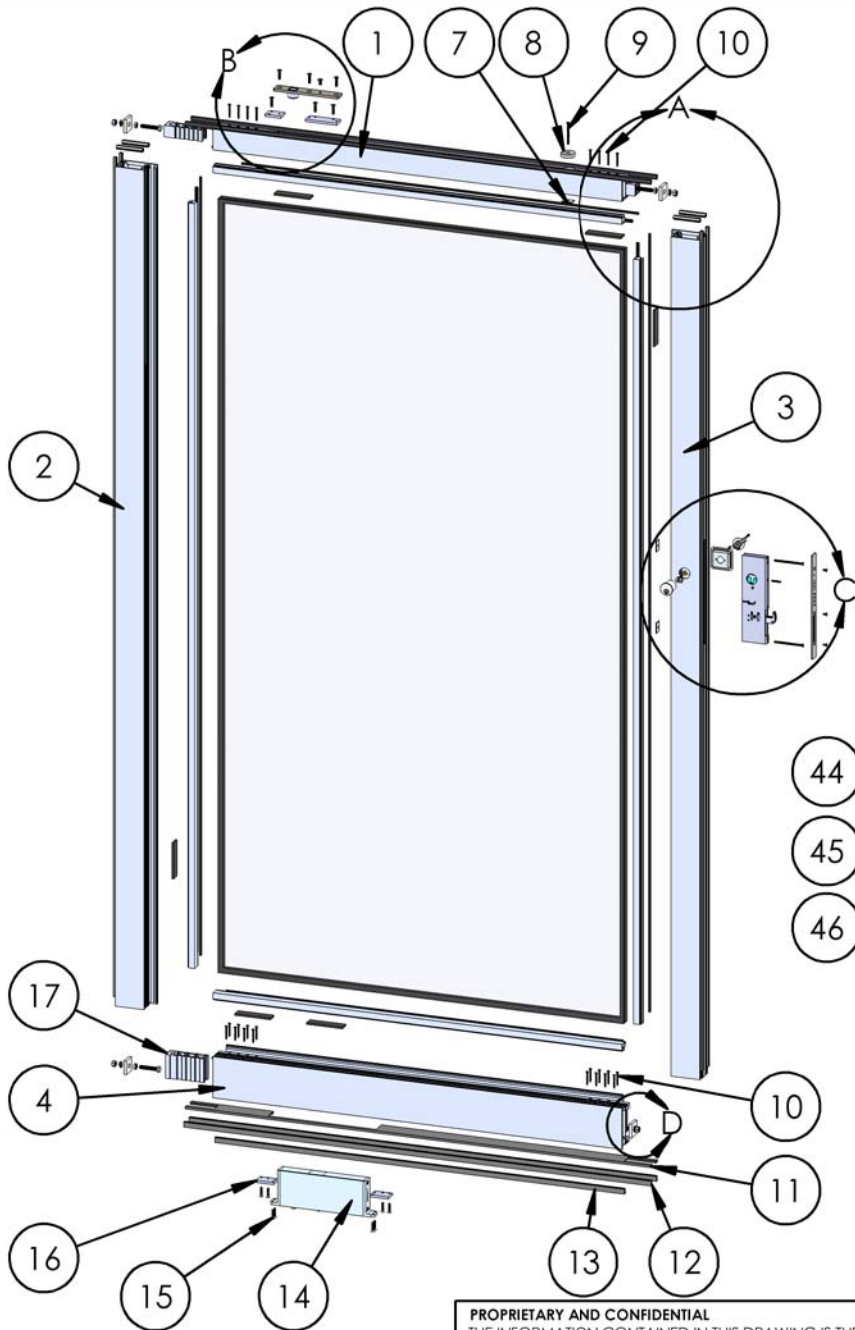
PROPRIETARY AND CONFIDENTIAL

THE INFORMATION CONTAINED IN THIS DRAWING IS THE SOLE PROPERTY OF FLEETWOOD WINDOWS & DOORS.
ANY REPRODUCTION IN PART OR AS A WHOLE WITHOUT THE WRITTEN PERMISSION OF FLEETWOOD WINDOWS & DOORS IS PROHIBITED.

Released 12/4/2023

SHEET 3 OF 8

ASSEMBLY / PARTS LIST (B.O.M.)



PROPRIETARY AND CONFIDENTIAL
THE INFORMATION CONTAINED IN THIS DRAWING IS THE SOLE PROPERTY OF FLEETWOOD WINDOWS & DOORS.
ANY REPRODUCTION IN PART OR AS A WHOLE WITHOUT THE WRITTEN PERMISSION OF FLEETWOOD WINDOWS & DOORS IS PROHIBITED.

| | |
|--|-----------------|
| Description Active Panel Assembly | |
| File Name Series 4400-T Fritsjurgens HH Assembly | REV D |
| Released 12/4/2023 | SHEET 4 OF 8 |

ASSEMBLY / PARTS LIST (B.O.M.)

Extrusions

| ITEM NO. | PART NUMBER | DESCRIPTION | QTY. |
|----------|-------------|-----------------------|------|
| 1 | 4404 | Top Rail | 1 |
| 2 | 4408 | Pivot Stile | 1 |
| 3 | 4408 | Lock Stile | 1 |
| 4 | 4412 | Bottom Rail | 1 |
| 5 | 3916 | Seal Clips (3") | 4 |
| 6 | 3907 | 1" Glass Stop (Shown) | 4 |

Hardware

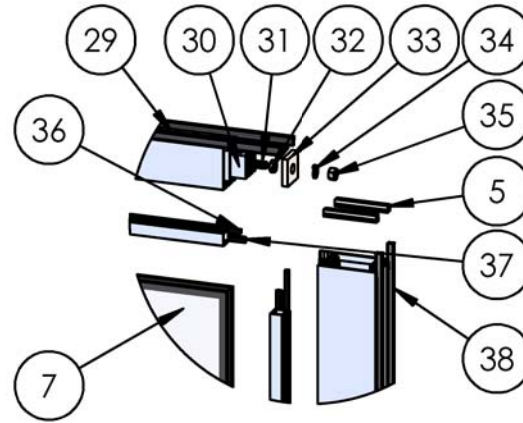
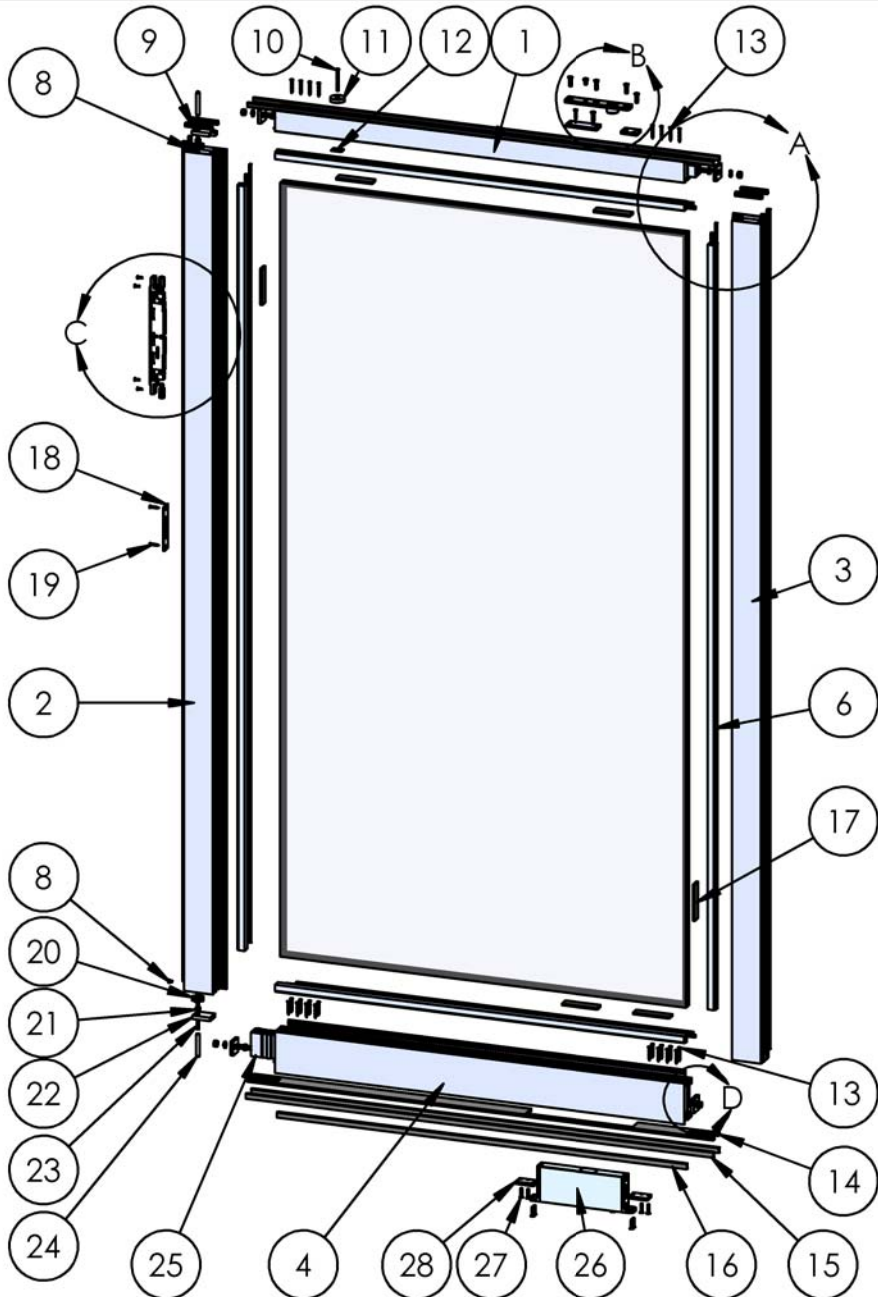
| ITEM NO. | PART NUMBER | DESCRIPTION | QTY. |
|----------|--------------|--|------|
| 7 | 18671 | Back Up Plate # 10-32 x 0.075 Thk. | 3 |
| 8 | 27470 | Neodymium Magnet | 1 |
| 9 | 27473 | #10-32 FHP Screw, 2.375" | 1 |
| 10 | 20252 | #8 FHP Screw, 1.50" | 24 |
| 11 | 27471 | Weather Seal Track | 1 |
| 12 | 27444 | Mohair 570270 | 2 |
| 13 | 27466 | Fin Seal Mohair 570270 | 1 |
| 14 | 26310 | Bottom Pivot Fritsjurgens | 1 |
| 15 | 25488, 25489 | #10-32 Torx Flat Head Screw, 1" (SS, BL) | 8 |
| 16 | 26330 | Fritsjurgens Closer Back-up Plate | 2 |
| 17 | 26303 | Corner Block, 2.625" | 2 |
| 18 | - | Glass | 1 |
| 19 | 27313 | Setting Block 4" x 3/16" x 1" | 6 |
| 20 | 25031 | Large Bulb Vinyl | 4 |
| 21 | 25199 | Mini Bulb Vinyl | 4 |
| 22 | 27031 | Large Fin Seal Mohair | 2 |
| 23 | 25571 | Corner Block, 1.25" | 2 |
| 24 | 25203 | Hex Head Cap Screw 3/8"-16, 2.0" | 4 |
| 25 | 25176 | .375"-16 Hex Nut, .5625" Wt, .218" Ht | 4 |
| 26 | 25025 | Back up Plate for Panel | 4 |

Hardware

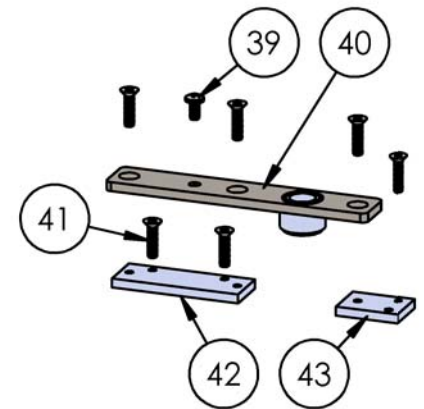
| ITEM NO. | PART NUMBER | DESCRIPTION | QTY. |
|----------|--------------|--|------|
| 27 | 25024 | .375" Split Lock Washer | 4 |
| 28 | 25023 | 3/8"-16 Stainless Steel Hex Nut | 4 |
| 29 | 19115 | Large Mohair | 4 |
| 30 | 20357 | #1/4-20 PHP - B, 1/2", SS, Clear | 1 |
| 31 | 26325 | 1/4"-20 Torx FH Screw, 1" | 6 |
| 32 | 26328 | Top Rail Plate 1 of 2 | 1 |
| 33 | 26476 | Top Pivot (Panel Portion) | 1 |
| 34 | 26329 | Top Rail Plate 2 of 2 | 1 |
| 35 | 24070, 24077 | Archetype Latch (OX, XO) (Table B) | 1 |
| 36 | 24765 | Archetype Actuator Pocket, OX, SS | 1 |
| 37 | 26376 | #4-40 FHP Screw, .5625" | 2 |
| 38 | 26384, 26385 | Archetype Actuator Assembly (BL, SS) | 1 |
| 39 | 25328, 25329 | #6-32 SH Cap Screw, 7/8", (BL, SS) | 1 |
| 40 | 26752 | #10-32 FHP-B Screw, 3.188" | 2 |
| 41 | 24076 | #8-32 FH Socket Cap Screw, 3/8",SS | 3 |
| 42 | 24935 | #8-32 Set Screw, 1in. | 1 |
| 43 | 26685 | Archetype Latch Faceplate, (Thermal) | 1 |
| 44 | 24781 | Archetype Key Cylinder Bushing | 1 |
| 45 | 24780 | Cam | 1 |
| 46 | See Table A | Archetype Narrow KA Cylinder Set (Silver, Black, Stainless Steel) & KD Cylinder Set (Silver, Black, Stainless Steel) | 1 |

| | |
|---|-----------|
| Description | |
| Active Panel B.O.M. | |
| File Name | REV |
| Series 4400-T Fritsjurgens HH Assembly | D |
| Released | 12/4/2023 |
| SHEET 5 OF 8 | |

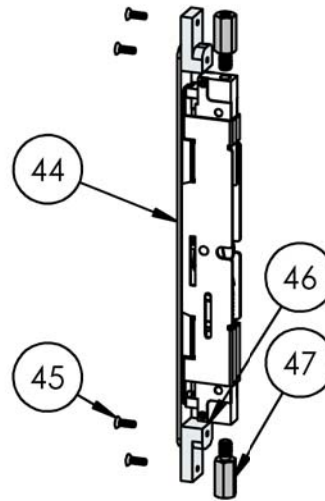
ASSEMBLY / PARTS LIST (B.O.M.)



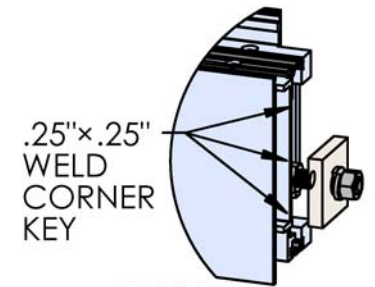
DETAIL A
SCALE 1 : 10



DETAIL B
SCALE 1 : 5



DETAIL C
SCALE 1 : 5



DETAIL D
SCALE 1 : 4

PROPRIETARY AND CONFIDENTIAL
THE INFORMATION CONTAINED IN THIS DRAWING IS THE SOLE PROPERTY OF FLEETWOOD WINDOWS & DOORS.
ANY REPRODUCTION IN PART OR AS A WHOLE WITHOUT THE WRITTEN PERMISSION OF FLEETWOOD WINDOWS & DOORS IS PROHIBITED.

| | |
|--|--------------|
| Description Inactive Panel Assembly | |
| File Name Series 4400-T Fritsjurgens HH Assembly | REV D |
| Released 12/4/2023 | SHEET 6 OF 8 |

ASSEMBLY / PARTS LIST (B.O.M.)

Extrusions

| ITEM NO. | PART NUMBER | DESCRIPTION | QTY. |
|----------|-------------|-----------------------|------|
| 1 | 4404 | Top Rail | 1 |
| 2 | 4408 | Inactive Lock Stile | 1 |
| 3 | 4408 | Pivot Stile | 1 |
| 4 | 4412 | Bottom Rail | 1 |
| 5 | 3916 | Seal Clips (3") | 4 |
| 6 | 3907 | 1" Glass Stop (Shown) | 4 |

Hardware

| ITEM NO. | PART NUMBER | DESCRIPTION | QTY. |
|----------|-------------|--|------|
| 7 | - | Glass | 1 |
| 8 | 27269 | #10-32 x 5/16" Pan Head Torx Screw 18-8 SS | 2 |
| 9 | 26340 | Shoot Bolt Guide Top | 1 |
| 10 | 27473 | #10-32 FHP Screw, 2.375" | 1 |
| 11 | 27470 | Neodymium Magnet | 1 |
| 12 | 18671 | Back Up Plate # 10-32 x 0.075 Thk. | 1 |
| 13 | 20252 | #8 FHP Screw, 1.50" | 24 |
| 14 | 27471 | Weather Seal Track | 1 |
| 15 | 27444 | Mohair 570270 | 2 |
| 16 | 27466 | Fin Seal Mohair 570270 | 1 |
| 17 | 27313 | Setting Block 4" x 3/16" x 1" | 6 |
| 18 | 26327 | Archetype Latch Strike Plate | 1 |
| 19 | 20247 | #8 FHP Screw, 1" | 2 |
| 20 | 25566 | Shoot Bolt Rod Guide (Spider) | 2 |
| 21 | 24893 | 1/4"-20 Hex Nut | 2 |
| 22 | 26468 | Shoot Bolt Guide | 1 |
| 23 | 27067 | 1/4"-20 Threaded Rod | 1 |
| 24 | 27055 | Shoot Bolt Cap | 2 |
| 25 | 26303 | Corner Block, 2.625" | 2 |

Hardware

| ITEM NO. | PART NUMBER | DESCRIPTION | QTY. |
|----------|--------------|--|------|
| 26 | 26310 | Bottom Pivot Fritsjurgens | 1 |
| 27 | 25488, 25489 | #10-32 Torx Flat Head Screw, 1" (SS, BL) | 8 |
| 28 | 26330 | Fritsjurgens Closer Back-up Plate | 2 |
| 29 | 27031 | Large Fin Seal Mohair | 2 |
| 30 | 25571 | Corner Block, 1.25" | 2 |
| 31 | 25203 | Hex Head Cap Screw 3/8"-16, 2.0" | 4 |
| 32 | 25176 | .375"-16 Hex Nut, .5625" Wt, .218" Ht | 4 |
| 33 | 25025 | Back up Plate for Panel | 4 |
| 34 | 25024 | .375" Split Lock Washer | 4 |
| 35 | 25023 | 3/8"-16 Stainless Steel Hex Nut | 4 |
| 36 | 25199 | Mini Bulb Vinyl | 4 |
| 37 | 25031 | Large Bulb Vinyl | 4 |
| 38 | 19115 | Large Mohair | 4 |
| 39 | 20357 | #1/4-20 PHP - B, 1/2", SS, Clear | 1 |
| 40 | 26476 | Top Pivot (Panel Portion) | 1 |
| 41 | 26325 | 1/4"-20 Torx FH Screw, 1" | 6 |
| 42 | 26329 | Top Rail Plate 2 of 2 | 1 |
| 43 | 26328 | Top Rail Plate 1 of 2 | 1 |
| 44 | 25223 | Lever Activated Gear, Backset 30mm | 1 |
| 45 | 25497 | #8-32 FHP, UC, 1/2", SS Clear | 4 |
| 46 | 25206 | In-Activated Gear Back Up Block | 2 |
| 47 | 27094 | #1/4-20 To M8 Thread Adapter | 2 |

Description
Inactive Panel B.O.M.

File Name
Series 4400-T Fritsjurgens
HH Assembly

REV
D

PROPRIETARY AND CONFIDENTIAL

THE INFORMATION CONTAINED IN THIS DRAWING IS THE SOLE PROPERTY OF FLEETWOOD WINDOWS & DOORS.
ANY REPRODUCTION IN PART OR AS A WHOLE WITHOUT THE WRITTEN PERMISSION OF FLEETWOOD WINDOWS & DOORS IS PROHIBITED.

Released 12/4/2023

SHEET 7 OF 8

ASSEMBLY / PARTS LIST (B.O.M.)

| Keyed | Color | ID |
|-----------|-----------|-------|
| Alike | Black | 25771 |
| | Stainless | 25773 |
| Different | Black | 25772 |
| | Stainless | 25774 |

| Pivot Location | Latch ID | Color | Pocket ID | Thumbturn ID | Screw ID |
|----------------|----------|-----------|-----------|--------------|----------|
| Left | 24070 | Black | 24080 | 26384 | 25328 |
| | | Stainless | 24765 | 26385 | 25329 |
| Right | 24077 | Black | 24081 | 26384 | 25328 |
| | | Stainless | 24767 | 26385 | 25329 |

| PART # | DESCRIPTION | QTY. |
|--------|--|---------------|
| 27104 | In-Rail Closer Floor Plate Base | 1 (Per 27122) |
| 27119 | In-Rail Closer Floor Plate Top Component | 1 (Per 27122) |
| 27121 | #1/4-20 Flanged Button Head Screw | 4 (Per 27122) |
| 27196 | 1/4 FHP Concrete Block Screw, 3.25" Long | 4 (Per 27122) |

| | | |
|-------------|---|--------------|
| Description | | Tables |
| File Name | Series 4400-T Fritsjurgens HH Assembly | REV D |
| Released | 12/4/2023 | SHEET 8 OF 8 |