

ASSEMBLY / PARTS LIST (B.O.M.)

Series: 4400-T
Type: H Configuration with IRC and Archetype Latch

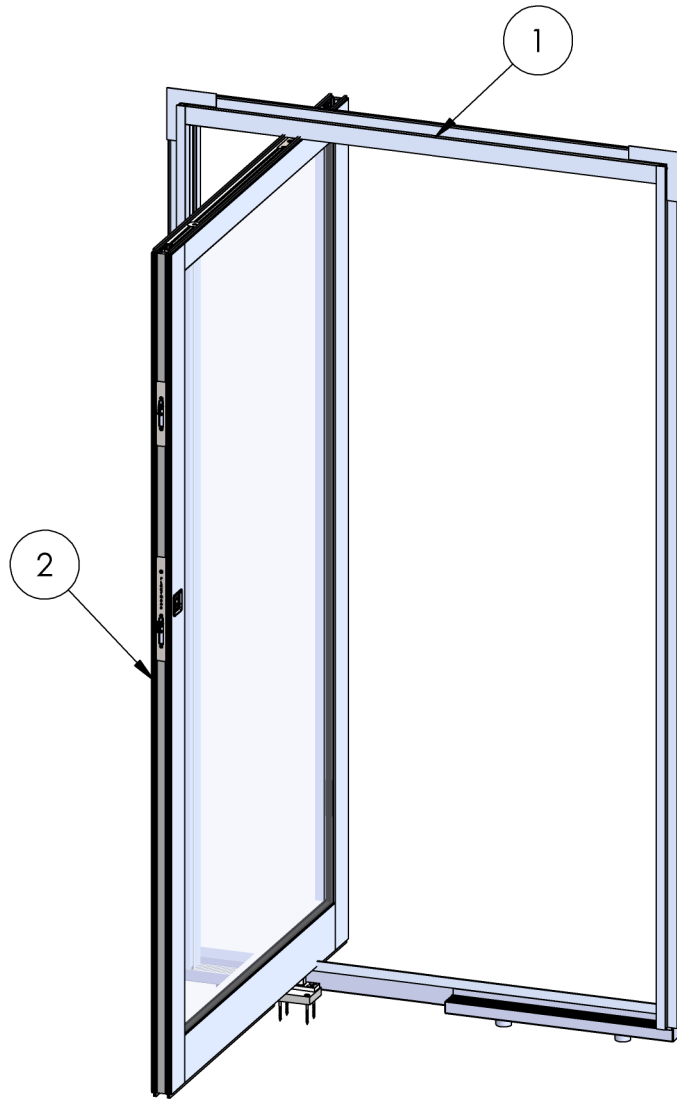


TABLE OF CONTENTS

ITEM NO.	DESCRIPTION	QTY.	PAGE #
1	Frame Assembly	1	2-3
2	Panel Assembly	1	4-5
3	Tables	1	6

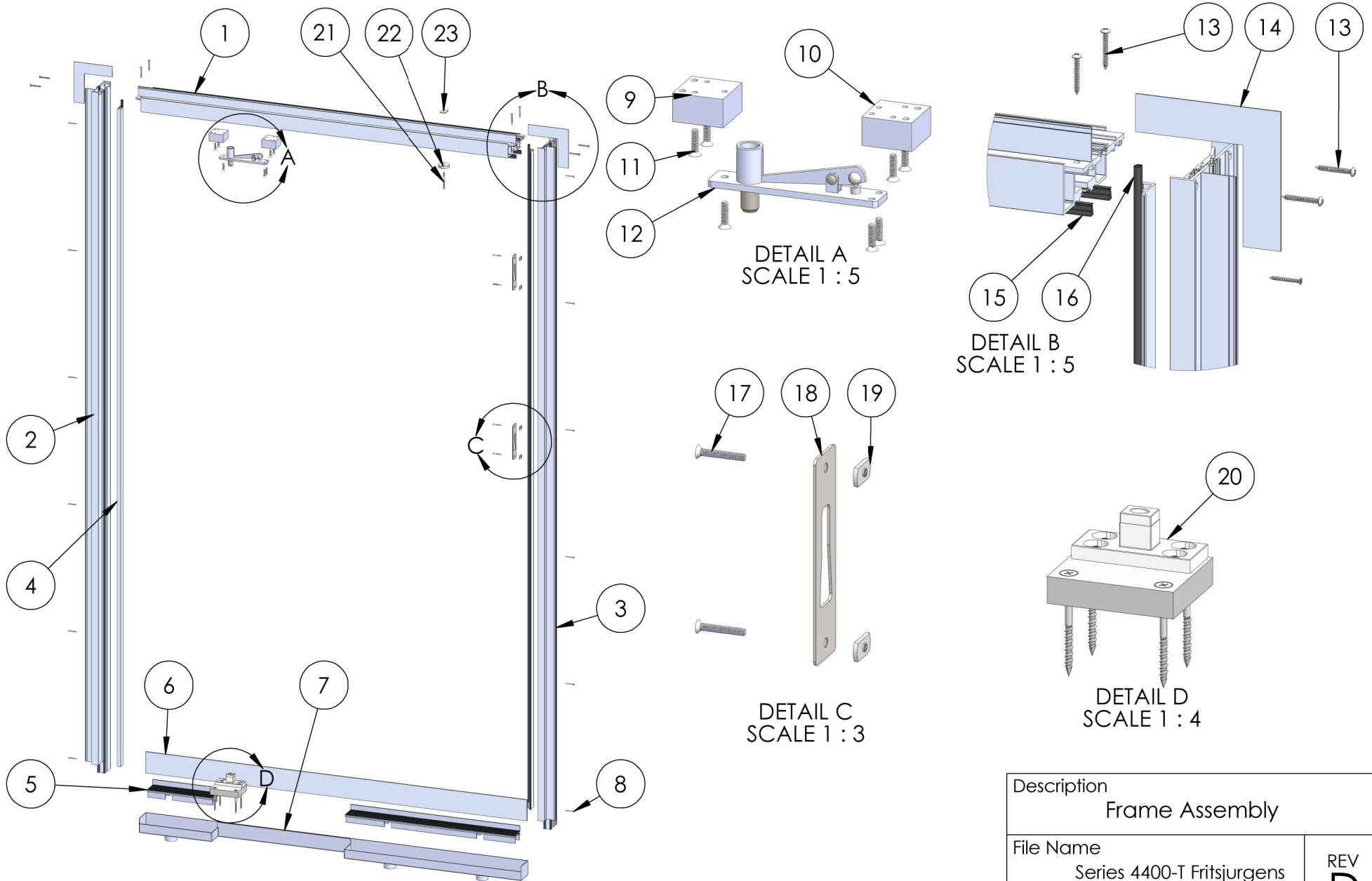
NOTE:

1.) Secondary latch only when net frame height ≥ 96 "

PROPRIETARY AND CONFIDENTIAL
THE INFORMATION CONTAINED IN THIS DRAWING IS THE SOLE PROPERTY OF FLEETWOOD WINDOWS & DOORS.
ANY REPRODUCTION IN PART OR AS A WHOLE WITHOUT THE WRITTEN PERMISSION OF FLEETWOOD WINDOWS & DOORS IS PROHIBITED.

Description Table of Contents	
File Name Series 4400-T Fritsjurgens Archetype H Assembly	REV D
Released 12/1/2023	SHEET 1 OF 6

ASSEMBLY / PARTS LIST (B.O.M.)



PROPRIETARY AND CONFIDENTIAL
THE INFORMATION CONTAINED IN THIS DRAWING IS THE SOLE PROPERTY OF FLEETWOOD WINDOWS & DOORS.
ANY REPRODUCTION IN PART OR AS A WHOLE WITHOUT THE WRITTEN PERMISSION OF FLEETWOOD WINDOWS & DOORS IS PROHIBITED.

Description Frame Assembly	
File Name Series 4400-T Fritsjurgens Archetype H Assembly	REV D
Released 12/1/2023	SHEET 2 OF 6

ASSEMBLY / PARTS LIST (B.O.M.)

Extrusions

ITEM NO.	PART NUMBER	DESCRIPTION	QTY.
1	4401	Head	1
2	4402	Pivot Jamb	1
3	4402	Strike Jamb	1
4	4410	Panel Stops	2
5	4411	Sill	1
6	FW1201	Slot Drain Spacer	1

Hardware

ITEM NO.	PART NUMBER	DESCRIPTION	QTY.
7	-	Arche-Duct	1
8	25751	#6 FHP-A, 1.25", SS, Clear	12
9	26324	Head Pivot Block 1 of 2	1
10	26370	Head Pivot Block 2 of 2	1
11	26325	1/4"-20 Torx FH Screw, 1"	7
12	26476	Top Pivot (Head Portion)	1
13	20353	#10 PHP-A Screw, 1.5"	8
14	18629	Nail-Fin Corner (For Nail-Fin Door)	2
15	27031	Large Fin Seal Mohair	2
16	26410	Extra Large Bulb Vinyl	2
17	25343	#8-32 FHP Screw, 1.125"	4
18	26327	Archetype Latch Strike Plate	2
19	27246	Low-Profile Narrow-Base Weld Nut	4
20	27122	IRC Floor Plate Assembly - (Table C)	1
21	27473	#10-32 FHP Screw, 2.375"	1
22	27470	Neodymium Magnet	1
23	18671	Back Up Plate # 10-32 x 0.075 Thk.	1

Description

Frame B.O.M.

File Name

Series 4400-T Fritsjurgens
Archetype H Assembly

REV
D

Released

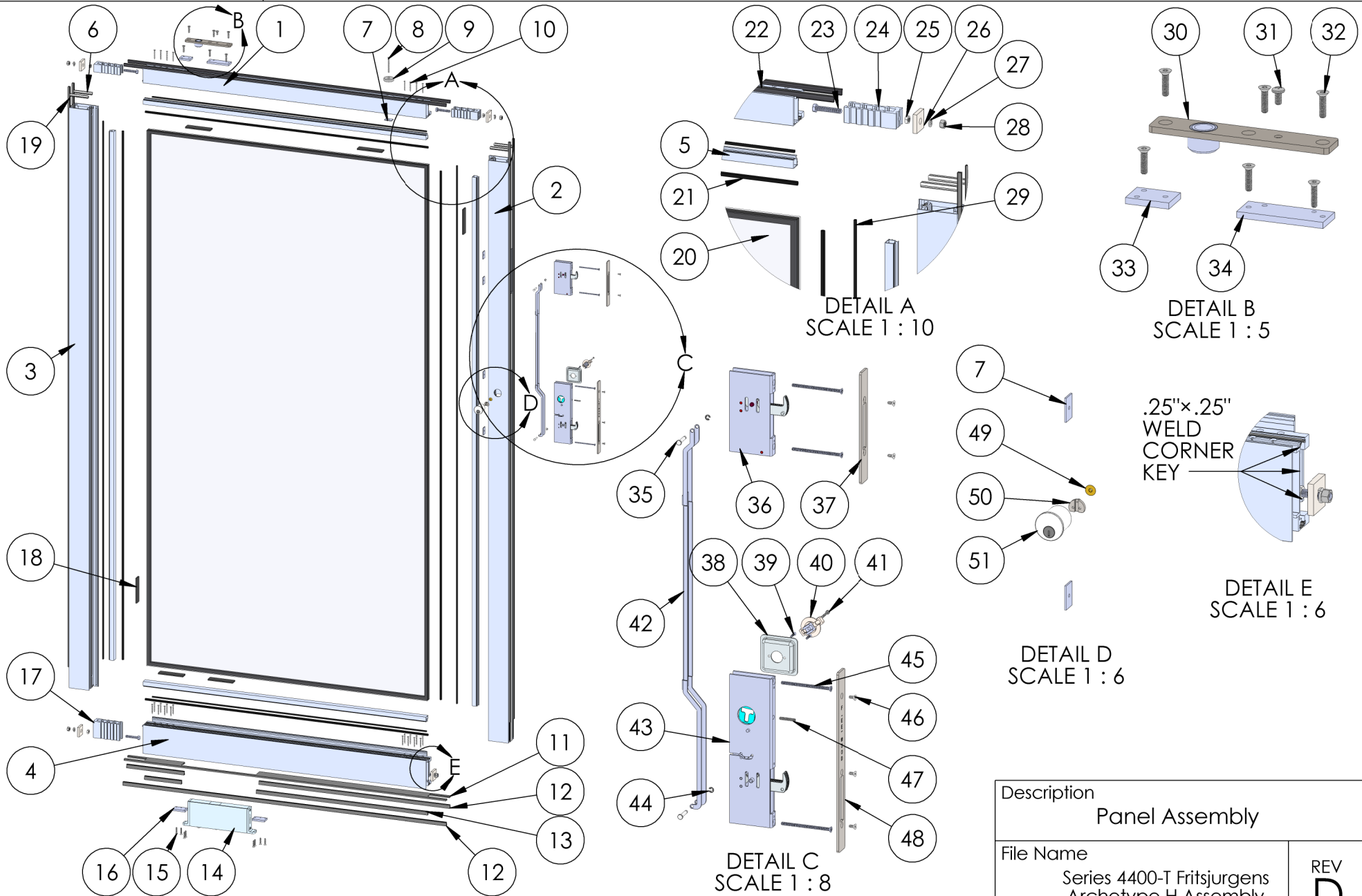
12/1/2023

SHEET 3 OF 6

PROPRIETARY AND CONFIDENTIAL

THE INFORMATION CONTAINED IN THIS DRAWING IS THE SOLE PROPERTY OF FLEETWOOD WINDOWS & DOORS.
ANY REPRODUCTION IN PART OR AS A WHOLE WITHOUT THE WRITTEN PERMISSION OF FLEETWOOD WINDOWS & DOORS IS PROHIBITED.

ASSEMBLY / PARTS LIST (B.O.M.)



PROPRIETARY AND CONFIDENTIAL
THE INFORMATION CONTAINED IN THIS DRAWING IS THE SOLE PROPERTY OF FLEETWOOD WINDOWS & DOORS.
ANY REPRODUCTION IN PART OR AS A WHOLE WITHOUT THE WRITTEN PERMISSION OF FLEETWOOD WINDOWS & DOORS IS PROHIBITED.

Description		Panel Assembly	
File Name		Series 4400-T Fritsjurgens Archetype H Assembly	
Released	12/1/2023	REV D	
SHEET 4 OF 6			

ASSEMBLY / PARTS LIST (B.O.M.)

Extrusions

ITEM NO.	PART NUMBER	DESCRIPTION	QTY.
1	4404	Top Rail	1
2	4408	Lock Stile	1
3	4408	Pivot Stile	1
4	4412	Bottom Rail	1
5	3907	1" Glass Stop (Shown)	2
6	3916	Seal Clips (3")	4

Hardware

ITEM NO.	PART NUMBER	DESCRIPTION	QTY.
7	18671	Back Up Plate # 10-32 x 0.075 Thk.	5
8	27473	#10-32 FHP Screw, 2.375"	1
9	27470	Neodymium Magnet	1
10	20252	#8 FHP Screw, 1.50"	24
11	27471	Weather Seal Track	1
12	27444	Mohair 570270	2
13	27466	Fin Seal Mohair 570270	1
14	26310	Bottom Pivot Fritsjurgens	1
15	25488, 25489	#10-32 Torx Flat Head Screw, 1" (SS, BL)	8
16	26330	Fritsjurgens Closer Back-up Plate	2
17	26303	Corner Block, 2.625"	2
18	27313	Setting Block 4" x 3/16" x 1"	6
19	19115	Large Mohair	4
20	-	Glass	1
21	25031	Large Bulb Vinyl	2
22	27031	Large Fin Seal Mohair	2
23	25203	Hex Head Cap Screw 3/8"-16, 2.0"	4
24	25571	Corner Block, 1.25"	2
25	25176	.375"-16 Stainless Steel Hex Nut, .5625" Wt, .218" Ht	4
26	25025	Back up Plate for Panel	4
27	25024	.375" Split Lock Washer	4
28	25023	3/8"-16 Stainless Steel Hex Nut	4
29	25199	Mini Bulb Vinyl	2

Hardware

ITEM NO.	PART NUMBER	DESCRIPTION	QTY.
30	26476	Top Pivot (Panel Portion)	1
31	20357	#1/4-20 PHP - B, 1/2", SS, Clear	1
32	26325	1/4"-20 Torx FH Screw, 1"	6
33	26328	Top Rail Plate 1 of 2	1
34	26329	Top Rail Plate 2 of 2	1
35	24128	Archetype, Grooved Clevis Pin	2
36	24082	Archetype Secondary Latch	1
37	26686	Archetype Secondary Latch Faceplate, (Thermal)	1
38	24765	Archetype Actuator Pocket, OX, SS	1
39	26376	#4-40 FHP Screw, .5625"	2
40	26384, 26385	Archetype Actuator Assembly (BL, SS)	1
41	25328, 25329	#6-32 Socket Head Cap Screw, 7/8", (BL, SS)	1
42	26373	Archetype Secondary Latch Linkage	1
43	24070, 24077	Archetype Latch (OX, XO) (Table B)	1
44	24129	E-Style Retaining Ring	2
45	26752	#10-32 FHP-B Screw, 3.188"	4
46	24076	#8-32 FH Socket Cap Screw, 3/8",SS	5
47	24935	#8-32 Set Screw, 1in.	1
48	26685	Archetype Latch Faceplate, (Thermal)	1
49	24781	Archetype Key Cylinder Bushing	1
50	24780	Cam	1
51	See Table A	Archetype Narrow KA Cylinder Set (Silver, Black, Stainless Steel) & KD Cylinder Set (Silver, Black, Stainless Steel)	1

Description

Panel B.O.M.

File Name

Series 4400-T Fritsjurgens
Archetype H Assembly

REV
D

Released 12/1/2023

SHEET 5 OF 6

PROPRIETARY AND CONFIDENTIAL

THE INFORMATION CONTAINED IN THIS DRAWING IS THE SOLE PROPERTY OF FLEETWOOD WINDOWS & DOORS.
ANY REPRODUCTION IN PART OR AS A WHOLE WITHOUT THE WRITTEN PERMISSION OF FLEETWOOD WINDOWS & DOORS IS PROHIBITED.

ASSEMBLY / PARTS LIST (B.O.M.)

TABLE A: Key Cylinder Options

Keyed	Color	ID
Alike	Black	25771
	Stainless	25773
Different	Black	25772
	Stainless	25774

TABLE B: Actuator Options

Pivot Location	Latch ID	Color	Pocket ID	Thumbturn ID	Screw ID
Left	24070	Black	24080	26384	25328
		Stainless	24765	26385	25329
Right	24077	Black	24081	26384	25328
		Stainless	24767	26385	25329

TABLE C: 27122 In-Rail Closer Floor Plate Assembly Components

PART #	DESCRIPTION	QTY.
27104	In-Rail Closer Floor Plate Base	1 (Per 27122)
27119	In-Rail Closer Floor Plate Top Component	1 (Per 27122)
27121	#1/4-20 Flanged Button Head Screw	4 (Per 27122)
27196	1/4 FHP Concrete Block Screw, 3.25" Long	4 (Per 27122)

Description

Tables

File Name

Series 4400-T Fritsjurgens
Archetype H Assembly

REV
D

Released

12/1/2023

SHEET 6 OF 6

PROPRIETARY AND CONFIDENTIAL

THE INFORMATION CONTAINED IN THIS DRAWING IS THE SOLE PROPERTY OF FLEETWOOD WINDOWS & DOORS.
ANY REPRODUCTION IN PART OR AS A WHOLE WITHOUT THE WRITTEN PERMISSION OF FLEETWOOD WINDOWS & DOORS IS PROHIBITED.