

ASSEMBLY / PARTS LIST (B.O.M.)

Series: 4400-Wood
Type: H Configuration with Rixson Closer and 5-Point Latch

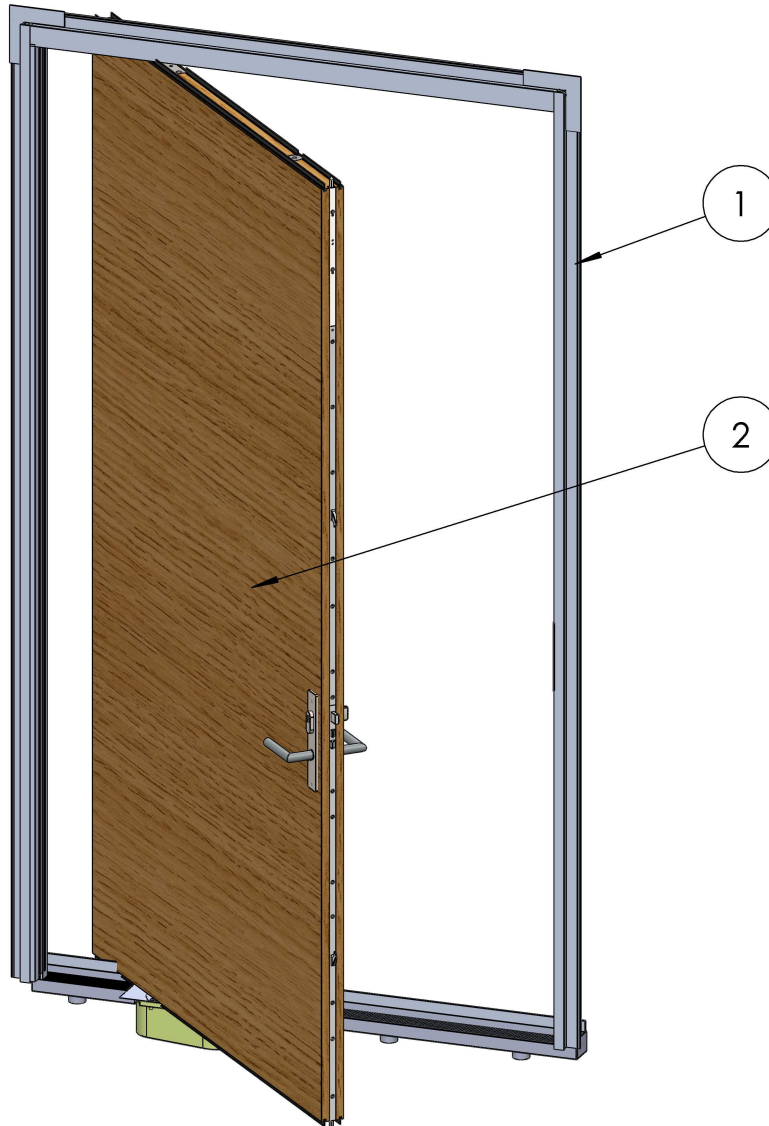


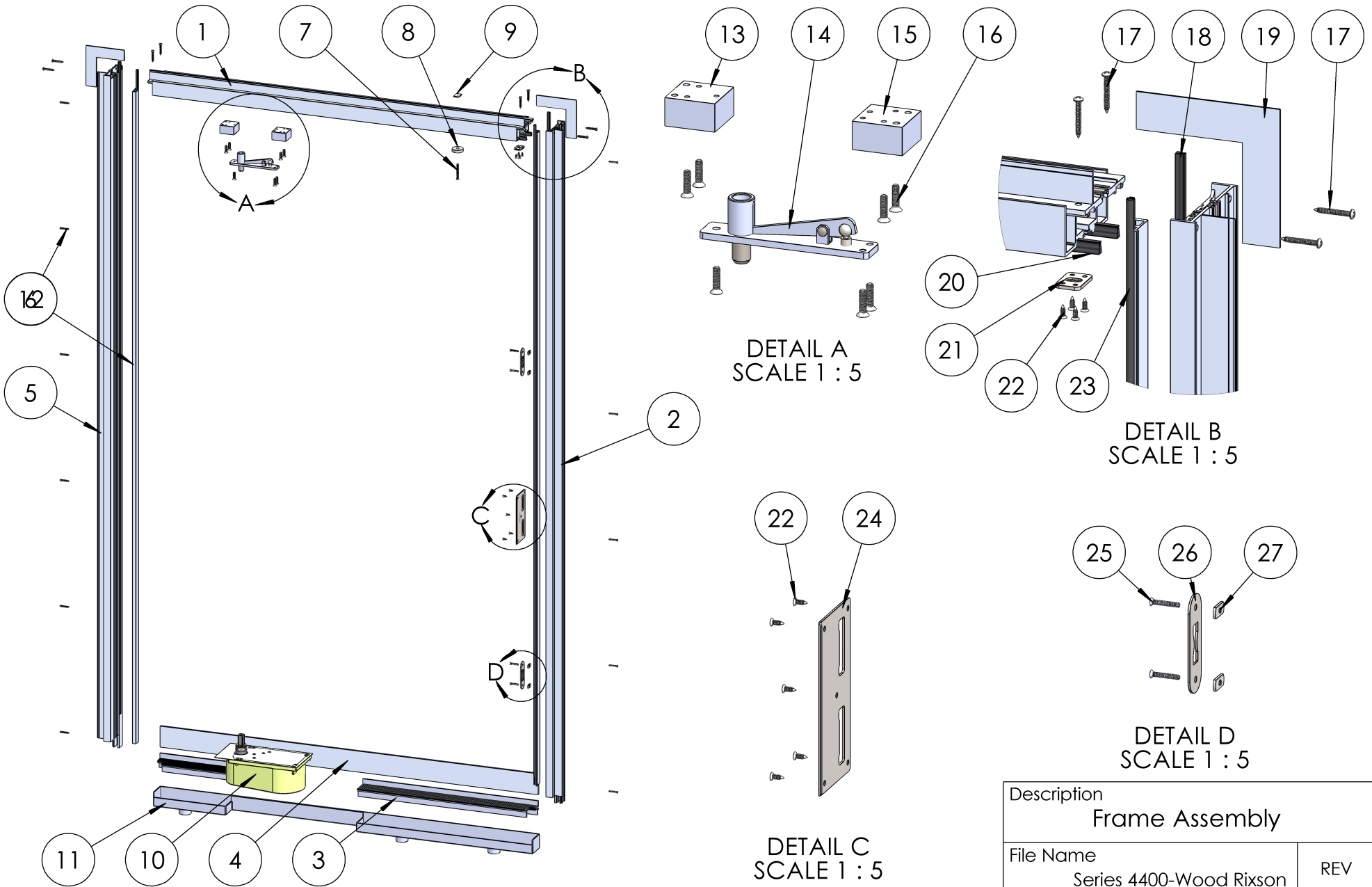
TABLE OF CONTENTS

ITEM NO.	DESCRIPTION	QTY.	PAGE(S)
1	Frame Assembly	1	2-3
2	Panel Assembly	1	4-5
-	Tables	-	6

PROPRIETARY AND CONFIDENTIAL
 THE INFORMATION CONTAINED IN THIS DRAWING IS THE SOLE PROPERTY OF FLEETWOOD WINDOWS & DOORS.
 ANY REPRODUCTION IN PART OR AS A WHOLE WITHOUT THE WRITTEN PERMISSION OF FLEETWOOD WINDOWS & DOORS IS PROHIBITED.

Description Table of Contents	
File Name Series 4400-Wood Rixson 5-Point H Assembly	REV -
Released 7/17/2025	SHEET 1 OF 6

ASSEMBLY / PARTS LIST (B.O.M.)



PROPRIETARY AND CONFIDENTIAL
THE INFORMATION CONTAINED IN THIS DRAWING IS THE SOLE PROPERTY OF FLEETWOOD WINDOWS & DOORS.
ANY REPRODUCTION IN PART OR AS A WHOLE WITHOUT THE WRITTEN PERMISSION OF FLEETWOOD WINDOWS & DOORS IS PROHIBITED.

Description Frame Assembly	
File Name Series 4400-Wood Rixson 5-Point H Assembly	REV -
Released 7/17/2025	SHEET 2 OF 6

ASSEMBLY / PARTS LIST (B.O.M.)

EXTRUSIONS

ITEM NO.	PART NUMBER	DESCRIPTION	QTY.
1	4401	Head	1
2	4402	Active Jamb	1
3	4411	Sill	1
4	FW1201	Slot Drain Spacer	1
5	4402	Pivot Jamb	1
6	4410	Panel Stops	2

HARDWARE

ITEM NO.	PART NUMBER	DESCRIPTION	QTY.
7	25928	#10-32 FHP Screw, 2.25"	1
8	27470	Neodymium Magnet	1
9	18671	Back Up Plate # 10-32 x 0.075" Thk.	1
10	See Table A	Rixson Floor Closer	1
11	-	Arche-Duct	1
12	25751	#6 FHP-A, 1.25", SS, Clear	11
13	26324	Head Pivot Block 1 of 2	1
14	26476	Top Pivot (Head Portion)	1
15	26370	Head Pivot Block 2 of 2	1
16	26325	1/4"-20 Torx FH Screw, 1"	7
17	20353	#10 PHP-A Screw, 1.5"	8
18	27314	Fin Seal Mohar	2
19	18629	Nail-Fin Corner (For Nail-Fin Door)	2
20	27031	Large Fin Seal Mohair	2
21	26341	Shoot Bolt Strike Plate	1
22	20240	#8 FHP-A-UC, 1/2", SS, Clear	9
23	26410	Extra Large Bulb Vinyl	2
24	26321	Latch-Deadbolt Strike Plate	1
25	25343	#8-32 FHP Screw, 1.125"	4
26	25056	Jamb Hook Strike	2
27	27246	Low-Profile Narrow-Base Weld Nut	4

Description

Frame B.O.M.

File Name

Series 4400-Wood Rixson
5-Point H Assembly

REV

-

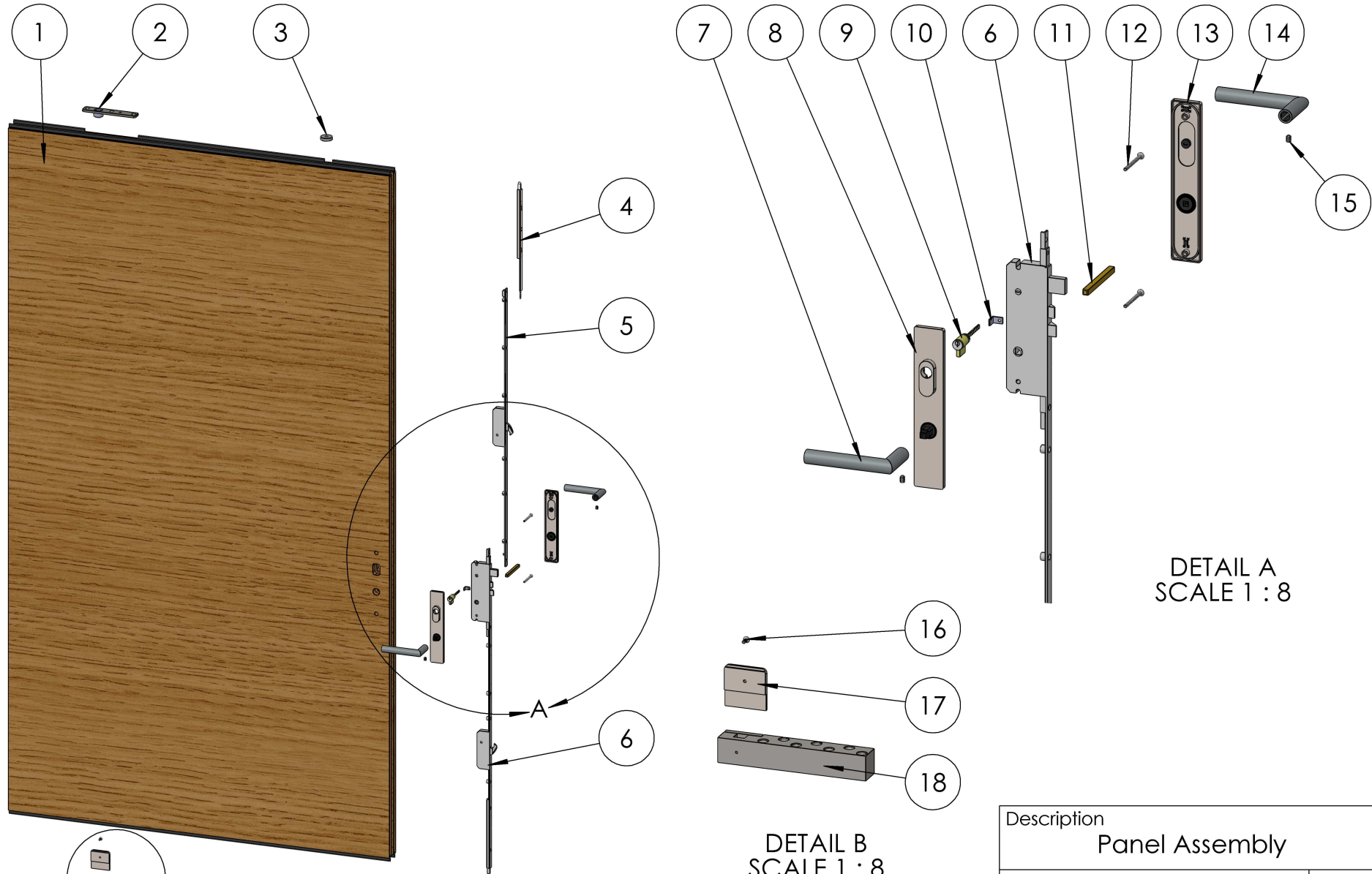
PROPRIETARY AND CONFIDENTIAL

THE INFORMATION CONTAINED IN THIS DRAWING IS THE SOLE PROPERTY OF FLEETWOOD WINDOWS & DOORS.
ANY REPRODUCTION IN PART OR AS A WHOLE WITHOUT THE WRITTEN PERMISSION OF FLEETWOOD WINDOWS & DOORS IS PROHIBITED.

Released 7/17/2025

SHEET 3 OF 6

ASSEMBLY / PARTS LIST (B.O.M.)



DETAIL A
SCALE 1 : 8

DETAIL B
SCALE 1 : 8

Description		Panel Assembly	
File Name		Series 4400-Wood Rixson 5-Point H Assembly	REV -
Released	7/17/2025	SHEET 4 OF 6	

PROPRIETARY AND CONFIDENTIAL
THE INFORMATION CONTAINED IN THIS DRAWING IS THE SOLE PROPERTY OF FLEETWOOD WINDOWS & DOORS.
ANY REPRODUCTION IN PART OR AS A WHOLE WITHOUT THE WRITTEN PERMISSION OF FLEETWOOD WINDOWS & DOORS IS PROHIBITED.

ASSEMBLY / PARTS LIST (B.O.M.)

HARDWARE

ITEM NO.	PART NUMBER	DESCRIPTION	QTY.
1	-	Wood Panel	1
2	26476	Top Pivot (Panel Portion)	1
3	27470	Neodymium Magnet	1
4	25054	Shoot bolt	1
5	See Table B	Active Upper Bar Hook Assembly, 37.7 in. (13944)	1
6	27048	Active Lower Gear Hook Assembly, 41.35"	1
7	26190, 26192	FSB 1076 Lever LH (SS, Black)	1
8	26204, 26207	Escutcheon plate w/ Cylinder Collar (S.S., Black)	1
9	25063	Rim Cylinder	1
10	25187	L-Clip	1
11	26195	Spindle	1
12	(Shipped with Escutcheon)	#10-32 FHP Screw, 2.5"	2
13	26205, 26208	Escutcheon plate w/ Thumbturn & Fasteners (SS, BL)	1
14	26189, 26191	FSB 1076 Lever RH (SS, Black)	1
15	26318	Cup-Point Set Screw M6 x 1 mm, 8 mm	2
16	26414, 27114	#8-32 FH Torx Screw, 0.5" (SS, BL)	1
17	26337, 27234	Rixson Load Arm Cover (SS, BL)	1
18	24859	Rixson 587 Side Load Arm Assembly Set	1

Description

Panel B.O.M.

File Name

Series 4400-Wood Rixson
5-Point H Assembly

REV

-

PROPRIETARY AND CONFIDENTIAL

THE INFORMATION CONTAINED IN THIS DRAWING IS THE SOLE PROPERTY OF FLEETWOOD WINDOWS & DOORS.
ANY REPRODUCTION IN PART OR AS A WHOLE WITHOUT THE WRITTEN PERMISSION OF FLEETWOOD WINDOWS & DOORS IS PROHIBITED.

Released 7/17/2025

SHEET 5 OF 6

ASSEMBLY / PARTS LIST (B.O.M.)

TABLE A: Rixson Floor Closer Options			
Pivot Location	Swing	Degrees	ID
Left	Inswing	105	25625
		90	25626
	Outswing	105	25627
		90	25628
Right	Inswing	105	25627
		90	25628
	Outswing	105	25625
		90	25626
Any	Dual	105	25629
		90	25631
Pivot Only		360	24987

Table B: Active Upper Bar Assembly Height	
Panel Height	Component Number
≤81.1875"	27050
81.25"-89"	27051
89.0625"-97"	27052
97.0625"-105"	27053
105.0625"-113"	27054
113.0625"-121"	27052, 25046
121.0625"-129"	27053, 25046
129.0625"-135"	27054, 25046

PROPRIETARY AND CONFIDENTIAL
THE INFORMATION CONTAINED IN THIS DRAWING IS THE SOLE PROPERTY OF FLEETWOOD WINDOWS & DOORS.
ANY REPRODUCTION IN PART OR AS A WHOLE WITHOUT THE WRITTEN PERMISSION OF FLEETWOOD WINDOWS & DOORS IS PROHIBITED.

Description		Tables	
File Name		Series 4400-Wood Rixson 5-Point H Assembly	REV -
Released	7/17/2025	SHEET 6 OF 6	