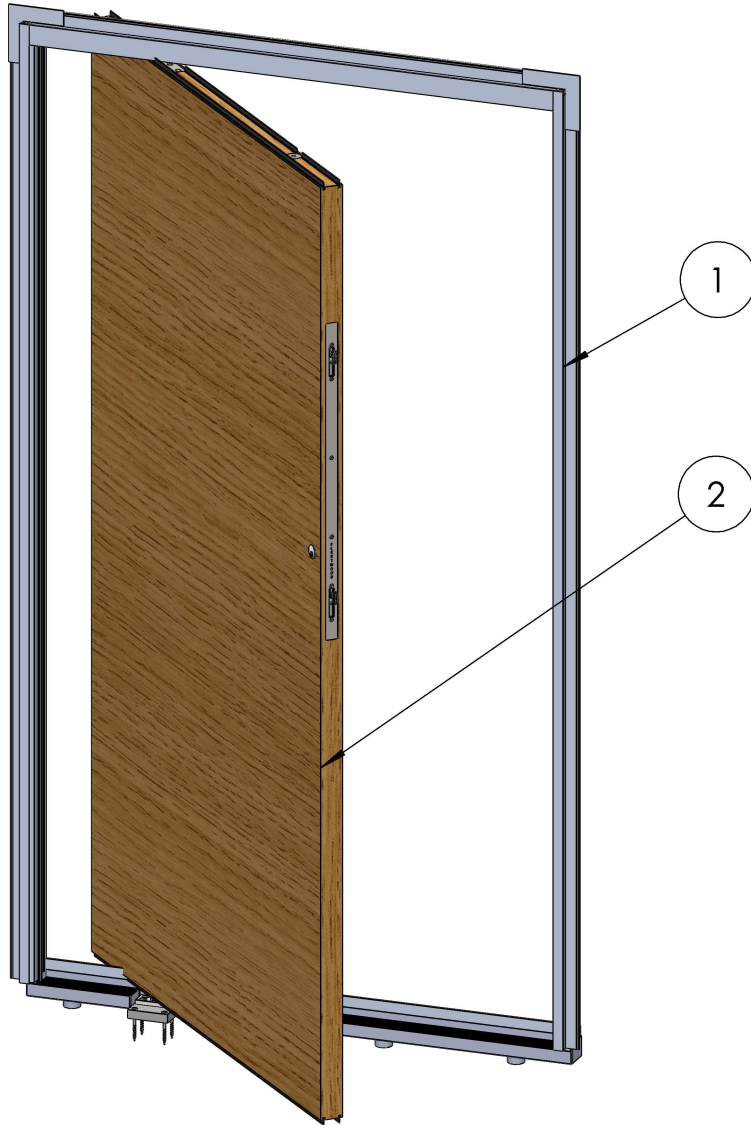


# ASSEMBLY / PARTS LIST (B.O.M.)

**Series: 4400-Wood**  
**Type: H Configuration with IRC and Archetype Latch**



## TABLE OF CONTENTS

ITEM NO.	DESCRIPTION	QTY.	PAGE(S)
1	Frame Assembly	1	2-3
2	Panel Assembly	1	4-5
-	Tables	-	6

**NOTE:**

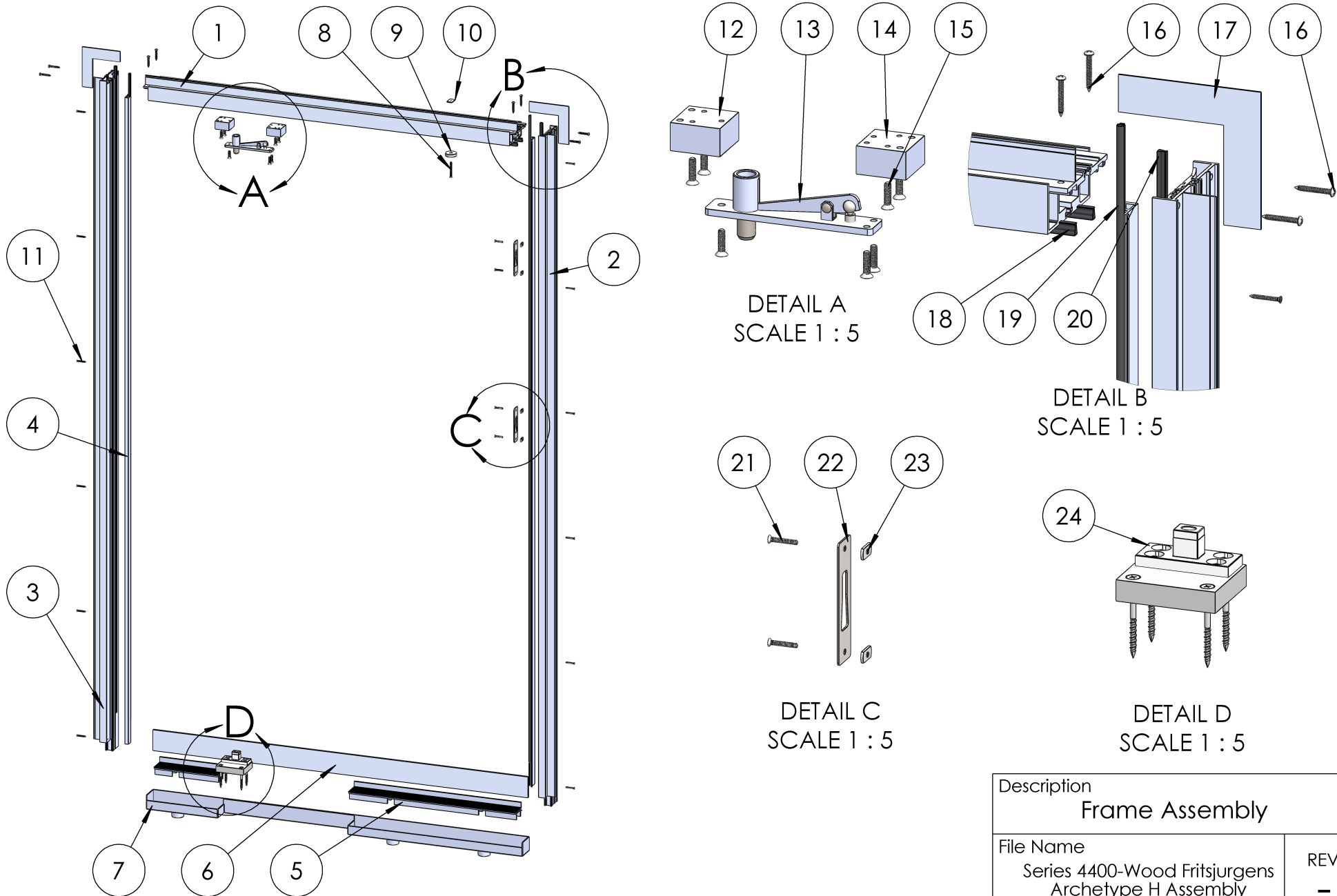
Secondary Latch only when Net Frame Height  $\geq$  96"

**PROPRIETARY AND CONFIDENTIAL**

THE INFORMATION CONTAINED IN THIS DRAWING IS THE SOLE PROPERTY OF FLEETWOOD WINDOWS & DOORS.  
ANY REPRODUCTION IN PART OR AS A WHOLE WITHOUT THE WRITTEN PERMISSION OF FLEETWOOD WINDOWS & DOORS IS PROHIBITED.

Description Table of Contents	
File Name Series 4400-Wood Fritsjurgens Archetype H Assembly	REV -
Released 7/9/2025	SHEET 1 OF 6

# ASSEMBLY / PARTS LIST (B.O.M.)



**PROPRIETARY AND CONFIDENTIAL**  
THE INFORMATION CONTAINED IN THIS DRAWING IS THE SOLE PROPERTY OF FLEETWOOD WINDOWS & DOORS.  
ANY REPRODUCTION IN PART OR AS A WHOLE WITHOUT THE WRITTEN PERMISSION OF FLEETWOOD WINDOWS & DOORS IS PROHIBITED.

Description Frame Assembly	
File Name Series 4400-Wood Fritsjurgens Archetype H Assembly	REV -
Released 7/9/2025	SHEET 2 OF 6

# ASSEMBLY / PARTS LIST (B.O.M.)

## EXTRUSIONS

ITEM NO.	PART NUMBER	DESCRIPTION	QTY.
1	4401	Head	1
2	4402	Strike Jamb	1
3	4402	Pivot Jamb	1
4	4410	Panel Stops	2
5	4411	Sill	1
6	FW1201	Slot Drain Spacer	1

## HARDWARE

ITEM NO.	PART NUMBER	DESCRIPTION	QTY.
7	-	Arche-Duct	1
8	25928	#10-32 FHP Screw, 2.25"	1
9	27470	Neodymium Magnet	1
10	18671	Back Up Plate # 10-32 x 0.075" Thk.	1
11	25751	#6 FHP-A, 1.25", SS, Clear	12
12	26324	Head Pivot Block 1 of 2	1
13	26476	Top Pivot (Head Portion)	1
14	26370	Head Pivot Block 2 of 2	1
15	26325	1/4"-20 Torx FH Screw, 1"	7
16	20353	#10 PHP-A Screw, 1.5"	8
17	18629	Nail-Fin Corner (For Nail-Fin Door)	2
18	27031	Large Fin Seal Mohair	2
19	26410	Extra Large Bulb Vinyl	2
20	27314	Fin Seal Mohar	2

## HARDWARE

ITEM NO.	PART NUMBER	DESCRIPTION	QTY.
21	25343	#8-32 FHP Screw, 1.125"	4
22	26327	Archetype Latch Strike Plate	2
23	27246	Low-Profile Narrow-Base Weld Nut	4
24	27122	In-Rail Closer Floor Plate Assembly - (Table C)	1

Description

Frame B.O.M.

File Name

Series 4400-Wood Fritsjurgens  
Archetype H Assembly

REV

-

Released

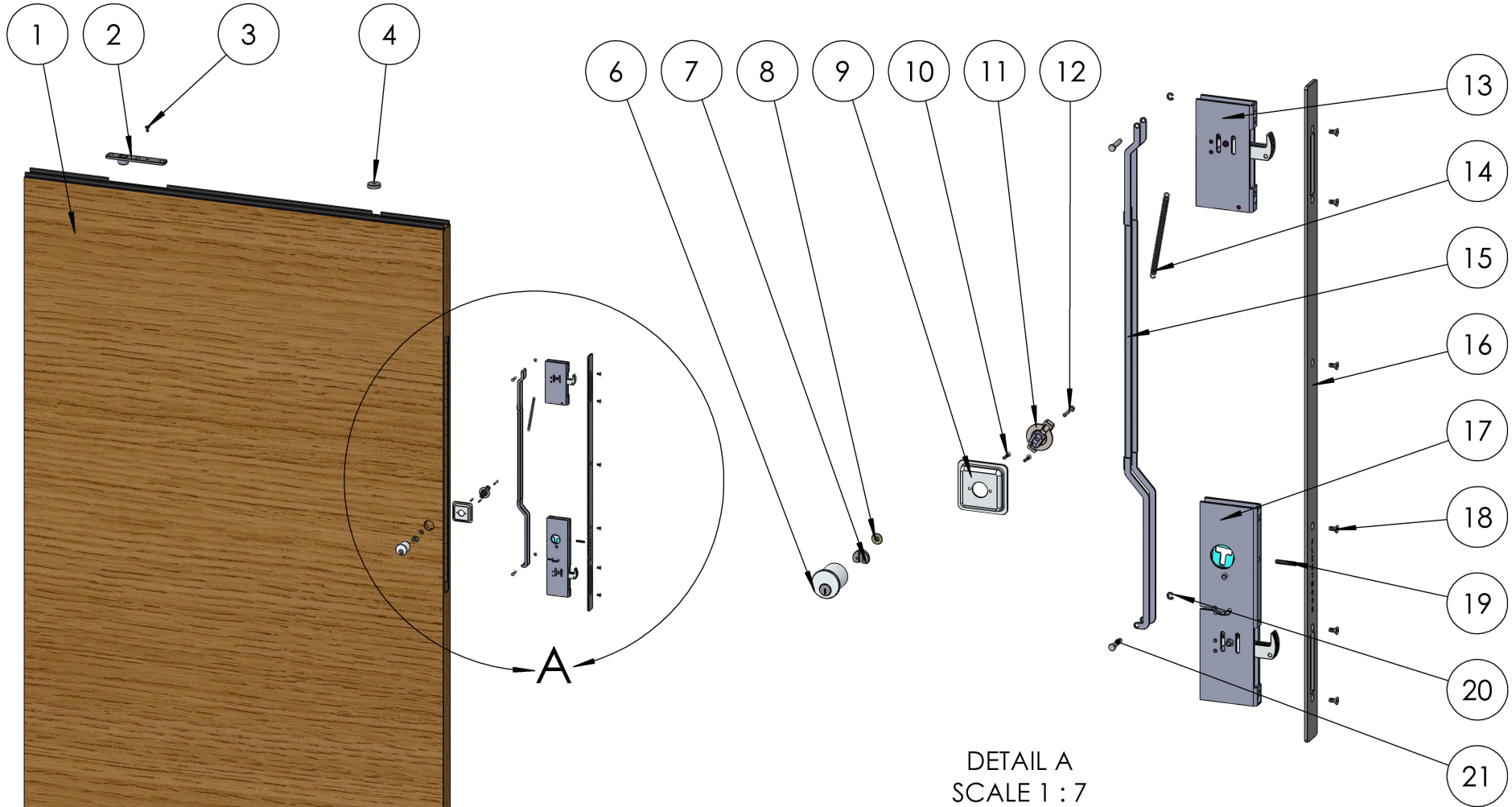
7/9/2025

SHEET 3 OF 6

**PROPRIETARY AND CONFIDENTIAL**

THE INFORMATION CONTAINED IN THIS DRAWING IS THE SOLE PROPERTY OF FLEETWOOD WINDOWS & DOORS.  
ANY REPRODUCTION IN PART OR AS A WHOLE WITHOUT THE WRITTEN PERMISSION OF FLEETWOOD WINDOWS & DOORS IS PROHIBITED.

# ASSEMBLY / PARTS LIST (B.O.M.)



DETAIL A  
SCALE 1 : 7

Description		Panel Assembly	
File Name		Series 4400-Wood Fritsjurgens	REV
		Archetype H Assembly	-
Released	7/9/2025	SHEET 4 OF 6	

**PROPRIETARY AND CONFIDENTIAL**  
THE INFORMATION CONTAINED IN THIS DRAWING IS THE SOLE PROPERTY OF FLEETWOOD WINDOWS & DOORS.  
ANY REPRODUCTION IN PART OR AS A WHOLE WITHOUT THE WRITTEN PERMISSION OF FLEETWOOD WINDOWS & DOORS IS PROHIBITED.

# ASSEMBLY / PARTS LIST (B.O.M.)

## HARDWARE

ITEM NO.	PART NUMBER	DESCRIPTION	QTY.
1	-	Wood Panel	1
2	26476	Top Pivot (Panel Portion)	1
3	20357	#1/4-20 PHP - B, 1/2", SS, Clear	1
4	27470	Neodymium Magnet	1
5	26310	Bottom Pivot Fritsjurgens	1
6	See Table A	Archetype Narrow KA Cylinder Set (Silver, Black, Stainless Steel) & KD Cylinder Set (Silver, Black, Stainless Steel)	1
7	24780	Cam	1
8	25681	Brass Bushing - Key Cylinder	1
9	24765, 24080	Archetype Actuator Pocket, OX (SS, BL)	1
10	26376	#4-40 FHP Screw, .5625"	2
11	26384, 26385	Archetype Actuator Assembly (BL, SS)	1
12	25328, 25329	#6-32 Socket Head Cap Screw, 7/8", (BL, SS)	1
13	24082	Archetype Secondary Latch	1
14	24127	Spring Compensation - Archetype Secondary Latch	1
15	27648	Archetype Secondary Linkage	1
16	27647	Archetype Latch Faceplate	1
17	24070, 24077	Archetype Latch (OX, XO) (Table B)	1
18	24076	#8-32 FH Socket Cap Screw, 3/8",SS	6
19	24935	#8-32 Set Screw, 1in.	1
20	24129	E-Style Retaining Ring	2
21	24128	Archetype, Grooved Clevis Pin	2

Description	
Panel B.O.M.	
File Name	REV
Series 4400-Wood Fritsjurgens Archetype H Assembly	-
Released	SHEET 5 OF 6
7/9/2025	

# ASSEMBLY / PARTS LIST (B.O.M.)

Keyed	Color	ID
Alike	Black	25771
	Stainless	25773
Different	Black	25772
	Stainless	25774

Pivot Location	Latch ID	Color	Pocket ID	Thumbturn ID	Screw ID
Left	24070	Black	24080	26384	25328
		Stainless	24765	26385	25329
Right	24077	Black	24081	26384	25328
		Stainless	24767	26385	25329

PART #	DESCRIPTION	QTY.
27104	In-Rail Closer Floor Plate Base	1 (Per 27122)
27119	In-Rail Closer Floor Plate Top Component	1 (Per 27122)
27121	#1/4-20 Flanged Button Head Screw	4 (Per 27122)
27196	1/4 FHP Concrete Block Screw, 3.25" Long	4 (Per 27122)

Description		Tables	
File Name		Series 4400-Wood Fritsjurgens Archetype H Assembly	REV -
Released	7/9/2025	SHEET 6 OF 6	