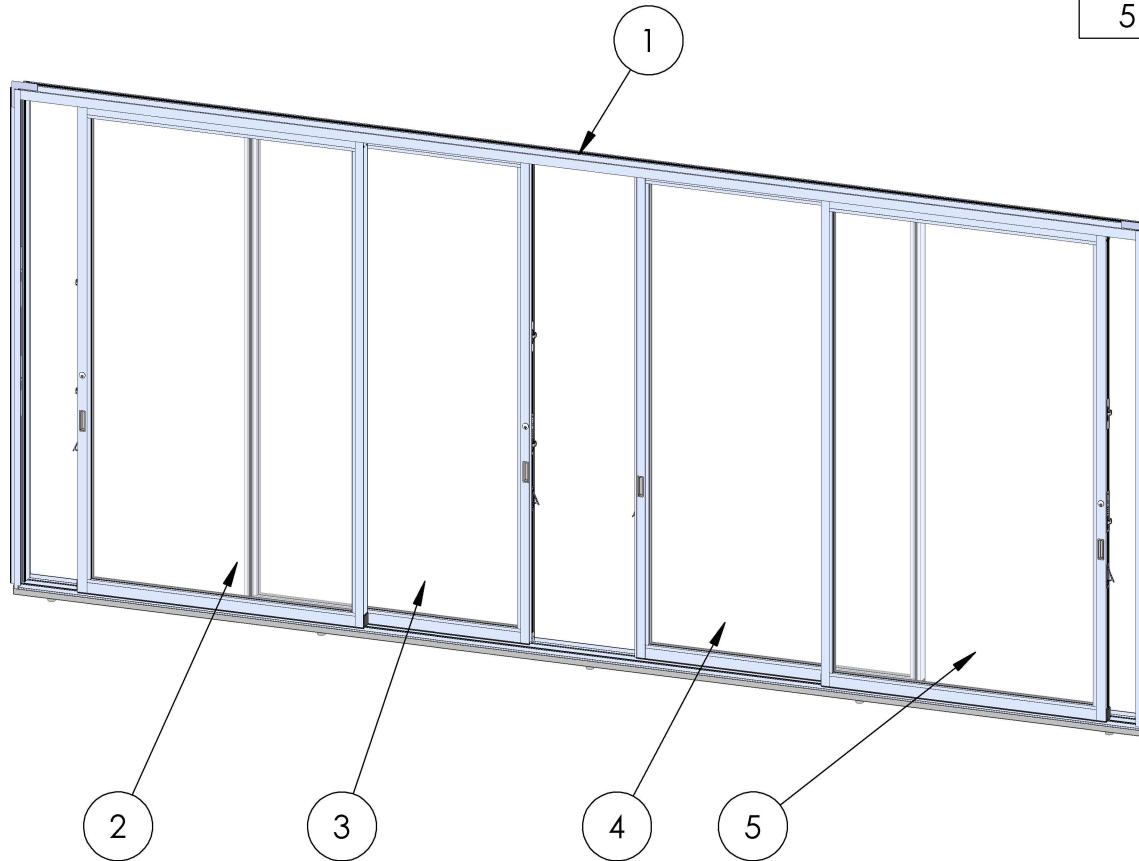


ASSEMBLY / PARTS LIST (B.O.M.)

Series: 4070-T
Type: XXIXX Configuration

TABLE OF CONTENTS		
ITEM NO.	DESCRIPTION	PAGE #
1	Frame Assembly	2-3
2	X-Panel Active Right	4-5
3	X-Panel Active Left Meeting	6-7
4	X-Panel Inactive Right Meeting	8-9
5	X-Panel Active Left	10-11



NOTES:

1. Stacks to the Interior shown

Description Table of Contents	
File Name Series 4070-T XXIXX Assembly	REV E
Released 11/6/2023	SHEET 1 OF 11

ASSEMBLY / PARTS LIST (B.O.M.)

EXTRUSIONS

ITEM NO.	PART NUMBER	DESCRIPTION	QTY.
1	4701	Nail Fin Head	1
2	4727	Block Head	1
3	4703	Nail Fin Jamb	2
4	4728	Block Jamb	2
5	4705	Jamb Filler/Anti-lift	3
6	4707	Sill	1
7	4734	Water Channel Sill	1
8	FW1201	Water Slot Drain Spacer	1
9	FW1020	Stainless Steel Track	2

HARDWARE

ITEM NO.	PART NUMBER	DESCRIPTION	QTY.
10	-	Arche-Duct	1
		Sheet	-
11	25921	Backup Plate Assembly (LH Nailfin Ext.)	2
12	18629	Nail-Fin Corner (For Nail-Fin Door)	2
13	25065	14.6mm x 10.2mm I-Strut	3
14	25757	Q-Lon Foam Seal 0.2 x 0.27	4
15	20353	#10 PHP - A, 1-1/2", SS, Clear	15
16	25912	Fin Seal Mohair 190270	4
17	25563	#10-32 FHP Screw, .875 in	8
18	24067	Strike Plate	4
19	25922	Backup Plate Assembly (RH Nailfin Ext.)	2
20	25761	4070-T, 2-Track Sill Strap	Varies
21	20357	.25-20 PHP-B Screw	Varies

Description
Frame B.O.M.

File Name
Series 4070-T XXIXX
Assembly

REV
E

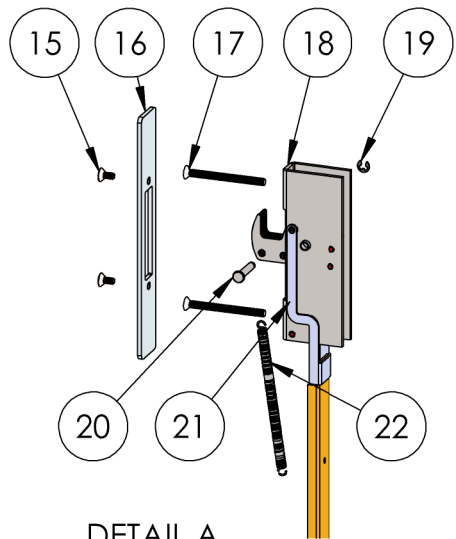
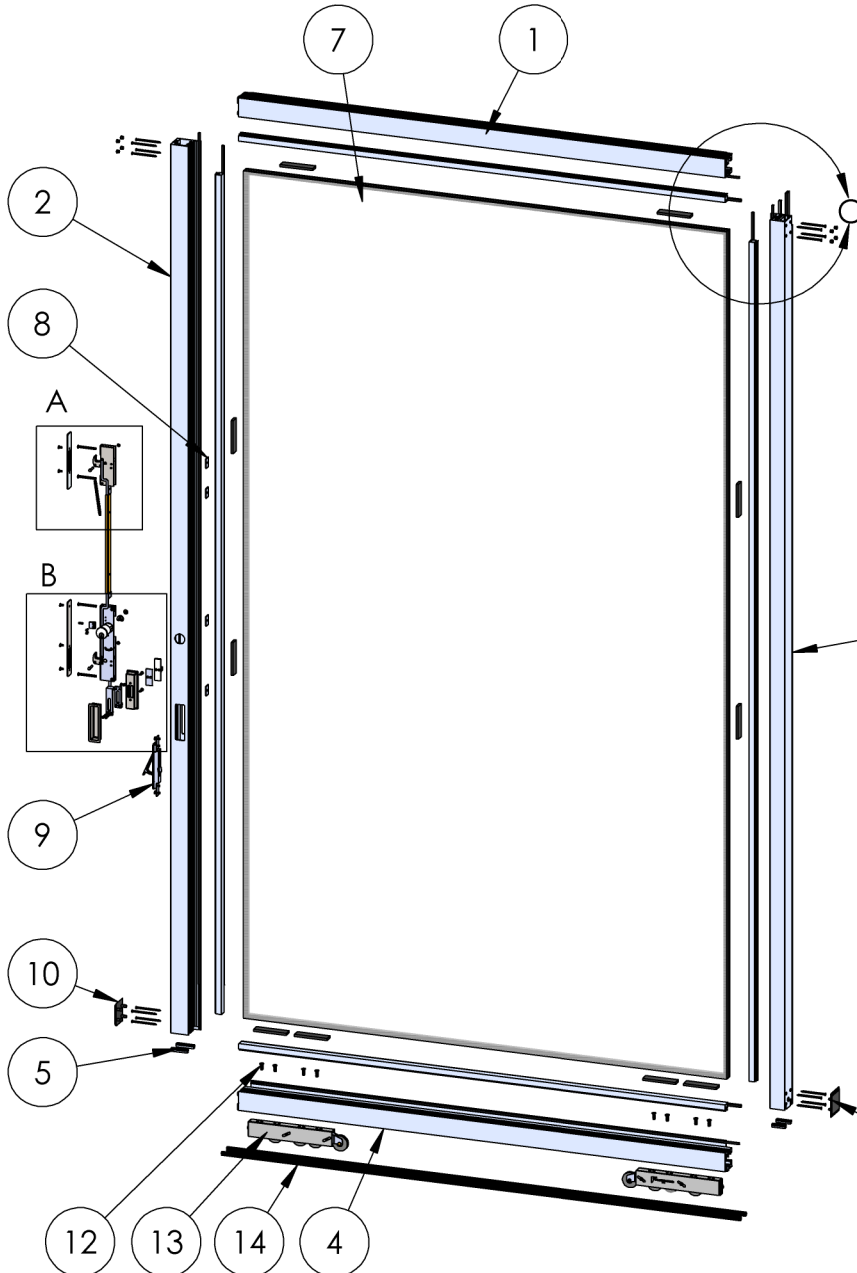
Released 6/14/2024

SHEET 3 OF 11

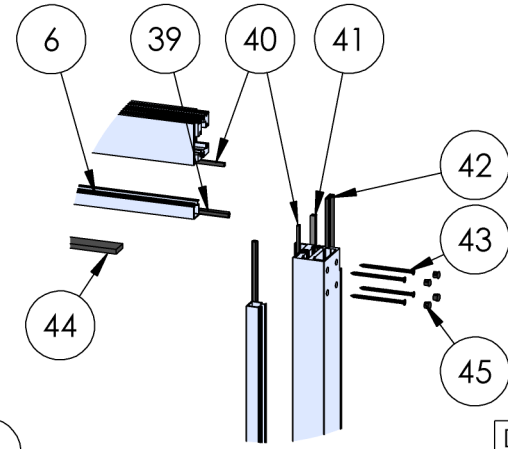
PROPRIETARY AND CONFIDENTIAL

THE INFORMATION CONTAINED IN THIS DRAWING IS THE SOLE PROPERTY OF FLEETWOOD WINDOWS & DOORS.
ANY REPRODUCTION IN PART OR AS A WHOLE WITHOUT THE WRITTEN PERMISSION OF FLEETWOOD WINDOWS & DOORS IS PROHIBITED.

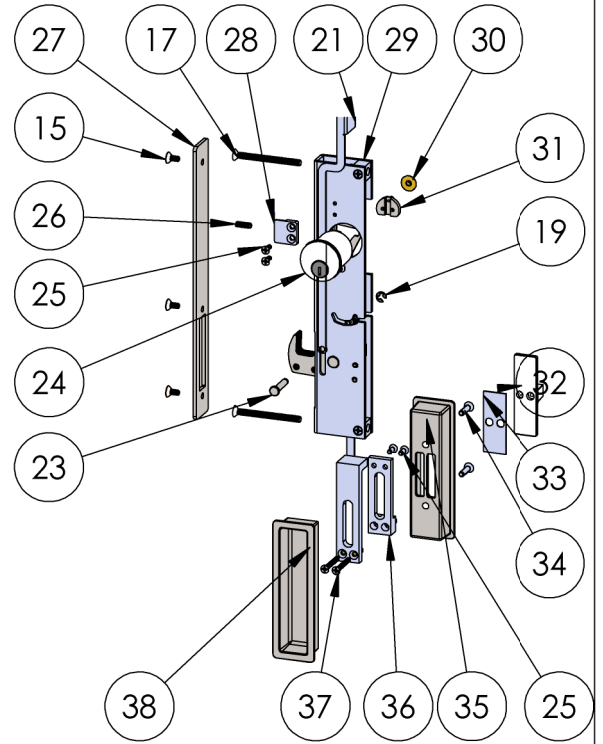
ASSEMBLY / PARTS LIST (B.O.M.)



DETAIL A
SCALE 1 : 5



DETAIL C
SCALE 1 : 10



DETAIL B
SCALE 1 : 6

PROPRIETARY AND CONFIDENTIAL
THE INFORMATION CONTAINED IN THIS DRAWING IS THE SOLE PROPERTY OF FLEETWOOD WINDOWS & DOORS.
ANY REPRODUCTION IN PART OR AS A WHOLE WITHOUT THE WRITTEN PERMISSION OF FLEETWOOD WINDOWS & DOORS IS PROHIBITED.

Description X-Panel Active Right Assembly	
File Name Series 4070-T XXIXX Assembly	REV E
Released 6/14/2024	SHEET 4 OF 11

ASSEMBLY / PARTS LIST (B.O.M.)

EXTRUSIONS

ITEM NO.	PART NUMBER	DESCRIPTION	QTY.
1	4709	Top Rail	1
2		Lead Stile Slip Strut	1
3	4711	Interlocker	1
4	4709	Bottom Rail	1
5	3916	Seal Clip	4
6	3924, 4735, 4736	9/16", 1.25", 1.5" Glass Stops	4

HARDWARE

ITEM NO.	PART NUMBER	DESCRIPTION	QTY.
7	-	Glass	1
8	18671	Back Up Plate # 10-32 x 0.075 Thk.	4
9	26136	Edge Pull Thermal	1
10	26472	Lead Stile Bottom Cap	1
11	26471	Interlocker Bottom Cap	1
12	20305	#1/4-20 FHP Screw, 0.75 in.	8
13	25768	A4 Quad Roller	2
14	25770	Sill Wipe, Bottom Vinyl	2
15	24076	#8-32 FHS, 3/8" Hex Socket Flat SS	5
16	26225	Archetype Narrow Secondary Latch Faceplate	1
17	25928	#10-32 FHP Screw, 2.188"	4
18	26166	Archetype Narrow Secondary Latch	1
19	24129	E-Style Retaining Ring	2
20	24128	Archetype Pin, Clevis Grooved	1
21	26168, 26169	Archetype Narrow Secondary Latch Linkage (OX, XO)	1
22	26171	Spring Compensation	1
23	26172	Clevis Pin (Primary Archetype Narrow Latch)	1
24	25771-25774	Archetype Narrow KA Cylinder Set (BL, SS) & KD Cylinder Set (BL, SS)	1

HARDWARE

ITEM NO.	PART NUMBER	DESCRIPTION	QTY.
25	25890	#6-32 FHP-B Screw, .375 in.	4
26	25330	#8-32 x 1/2" Set Screw Narrow Arch. Cyl.	1
27	25309	Archetype Narrow Latch Face Plate	1
28	26170	Archetype Narrow Secondary Latch Linkage Guide	1
29	25319	Archetype Narrow Flush Latch XO	1
30	25681	Bushing-Key Cyl. - Narrow Arch.	1
31	24780	Cam - (for the Archetype Key Cylinder)	1
32	25317, 25318	Archetype Narrow Flush Actuator (BL, SS)	1
33	26245	Friction Pad .03"	1
34	26124, 26125	#8-32 Socket Head Screw, 1.156 in. (SS, BL)	2
35	25314, 25315	Archetype Narrow Flush Int. Pocket (BL, SS)	1
36	25889	Adaptor Plate for Latch	1
37	25891	#6-32 FHP Screw, 1.125 in.	2
38	25925, 25926	Archetype Narrow Flush Ext. Deep Pocket (BL, SS)	1
39	25031	Bulb Vinyl Large	4
40	25199	Mini Bulb Vinyl	4
41	19118	Small Fin Seal Mohair, 22027045BKGB	1
42	26046	Flexible Vinyl Air Barrier	1
43	20262	#8 FHP Screw, 3 in.	16
44	18620	Setting Block 4" x 1/4" x 1"	10
45	25907	Round Plastic Plug	8

Description
X-Panel Active Right B.O.M.

File Name
Series 4070-T XXIXX
Assembly

REV
E

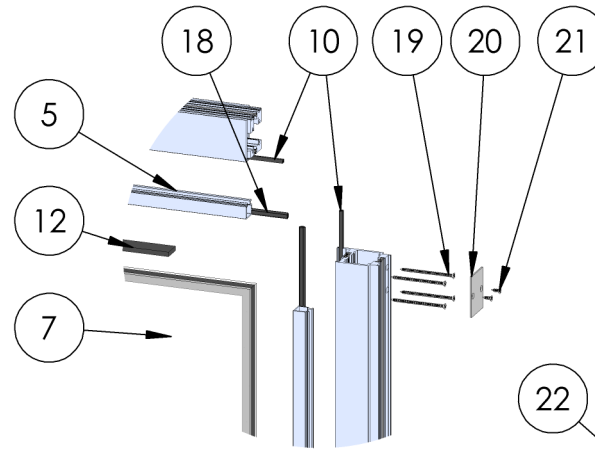
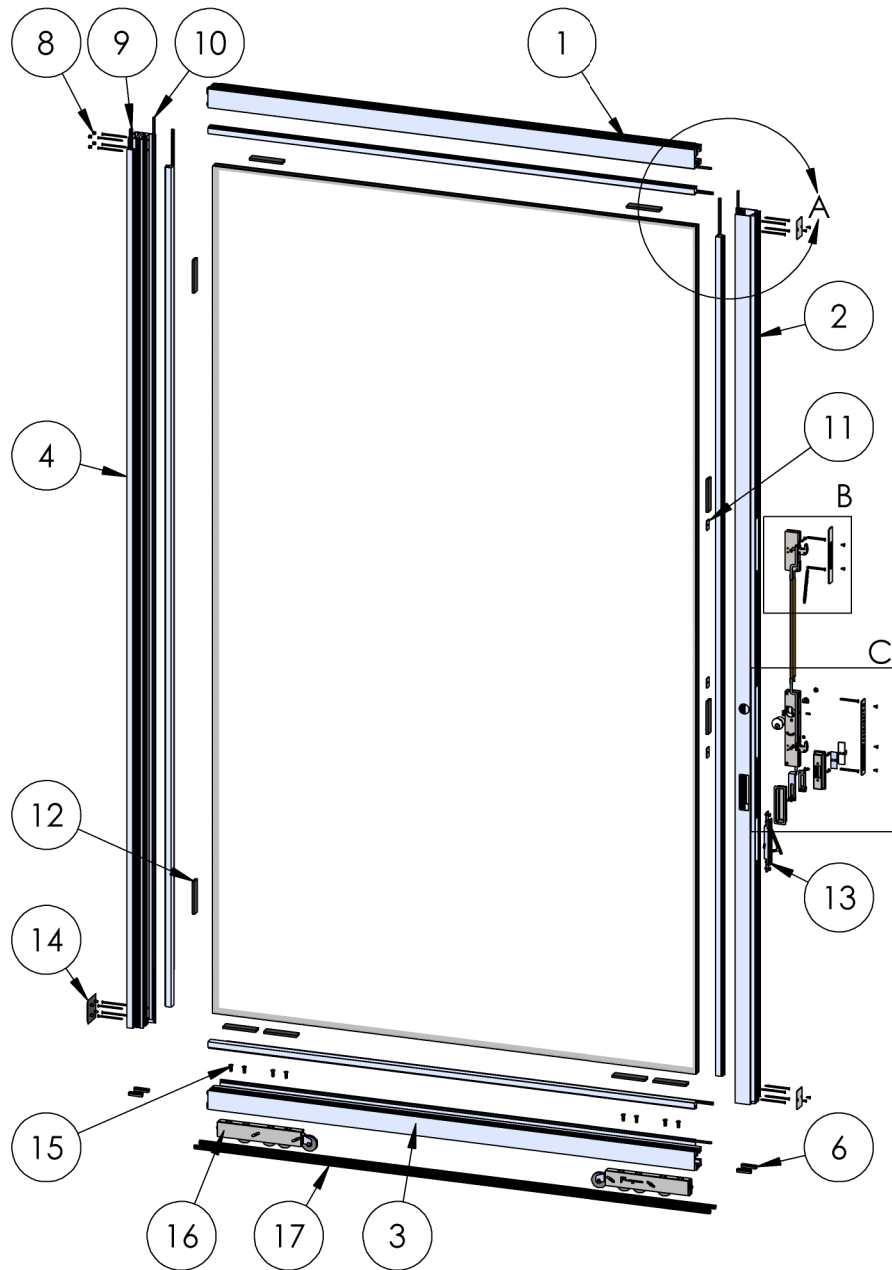
PROPRIETARY AND CONFIDENTIAL

THE INFORMATION CONTAINED IN THIS DRAWING IS THE SOLE PROPERTY OF FLEETWOOD WINDOWS & DOORS.
ANY REPRODUCTION IN PART OR AS A WHOLE WITHOUT THE WRITTEN PERMISSION OF FLEETWOOD WINDOWS & DOORS IS PROHIBITED.

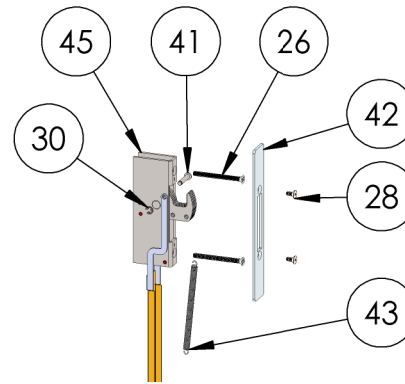
Released 6/14/2024

SHEET 5 OF 11

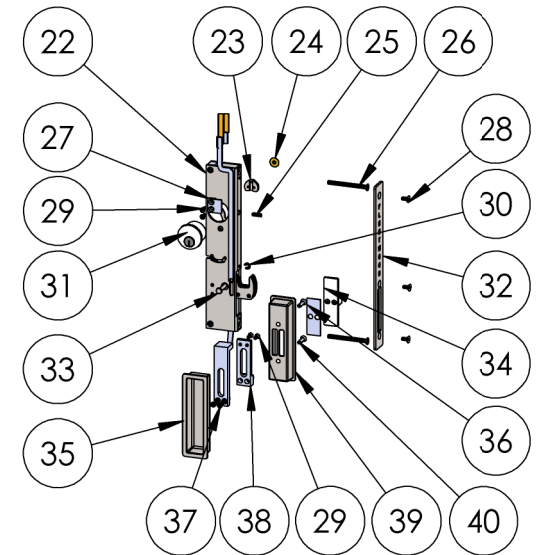
ASSEMBLY / PARTS LIST (B.O.M.)



DETAIL A
SCALE 1 : 10



DETAIL B
SCALE 1 : 8



DETAIL C
SCALE 1 : 10

PROPRIETARY AND CONFIDENTIAL
THE INFORMATION CONTAINED IN THIS DRAWING IS THE SOLE PROPERTY OF FLEETWOOD WINDOWS & DOORS.
ANY REPRODUCTION IN PART OR AS A WHOLE WITHOUT THE WRITTEN PERMISSION OF FLEETWOOD WINDOWS & DOORS IS PROHIBITED.

Description X-Panel Active Left Meeting Assembly	
File Name Series 4070-T XXIXX Assembly	REV E
Released	6/14/2024
SHEET 6 OF 11	

ASSEMBLY / PARTS LIST (B.O.M.)

EXTRUSIONS

ITEM NO.	PART NUMBER	DESCRIPTION	QTY.
1	4709	Top Rail	1
2	4739	Male Lockstile	1
3	4709	Bottom Rail	1
4	4712	Sliding Interlocker	1
5	3924, 4735, 4736	9/16", 1.25", 1.5" Glass Stops	4
6	3916	Seal Clip	4

HARDWARE

ITEM NO.	PART NUMBER	DESCRIPTION	QTY.
7	-	Glass	1
8	25907	Round Plastic Plug	4
9	19118	Small Fin Seal Mohair, 22027045BKGB	1
10	25199	Mini Bulb Vinyl	4
11	18671	Back Up Plate # 10-32 x 0.075 Thk.	4
12	18620	Setting Block 4" x 1/4" x 1"	10
13	26136	Edge Pull Thermal	1
14	26471	Interlocker Bottom Cap	1
15	20305	#1/4-20 FHP Screw, 0.75 in.	8
16	25768	A4 Quad Roller	2
17	25770	Sill Wipe, Bottom Vinyl	2
18	25031	Bulb Vinyl Large	4
19	20262	#8 FHP Screw, 3 in.	16
20	27236	Male Meeting Stile Cover Plate	2
21	20240	#8 FHP-A-UC, 0.5 in.	4
22	25320	Archetype Narrow Latch OX	1
23	24780	Cam - (for the Archetype Key Cylinder)	1
24	25681	Bushing-Key Cyl. - Narrow Arch.	1
25	25330	#8-32 x 1/2" Set Screw Narrow Arch. Cyl.	1

HARDWARE

ITEM NO.	PART NUMBER	DESCRIPTION	QTY.
26	25928	#10-32 FHP Screw, 2.188"	4
27	26170	Archetype Narrow Secondary Latch Linkage Guide	1
28	24076	#8-32 FHS, 3/8" Hex Socket Flat SS	5
29	25890	#6-32 FHP-B Screw, .375 in.	4
30	24129	E-Style Retaining Ring	2
31	25771-25774	Archetype Narrow KA Cylinder Set (BL, SS) & KD Cylinder Set (BL, SS)	1
32	25309	Archetype Narrow Latch Face Plate	1
33	26172	Clevis Pin (Primary Archetype Narrow Latch)	1
34	25317, 25318	Archetype Narrow Flush Actuator (BL, SS)	1
35	25925, 25926	Archetype Narrow Flush Ext. Deep Pocket (BL, SS)	1
36	26245	Friction Pad .03"	1
37	25891	#6-32 FHP Screw, 1.125 in.	2
38	25889	Adaptor Plate for Latch	1
39	25314, 25315	Archetype Narrow Flush Int. Pocket (BL, SS)	1
40	26124, 26125	#8-32 Socket Head Screw, 1.156 in. (SS, BL)	2
41	24128	Archetype Pin, Clevis Grooved	1
42	26225	Archetype Narrow Secondary Latch Faceplate	1
43	26171	Spring Compensation	1
44	26168	Linkage for Archetype Narrow, OX	1
45	26166	Archetype Narrow Secondary Latch	1

Description
X-Panel Active Left Meeting B.O.M.

File Name
Series 4070-T XXIXX
Assembly

REV
E

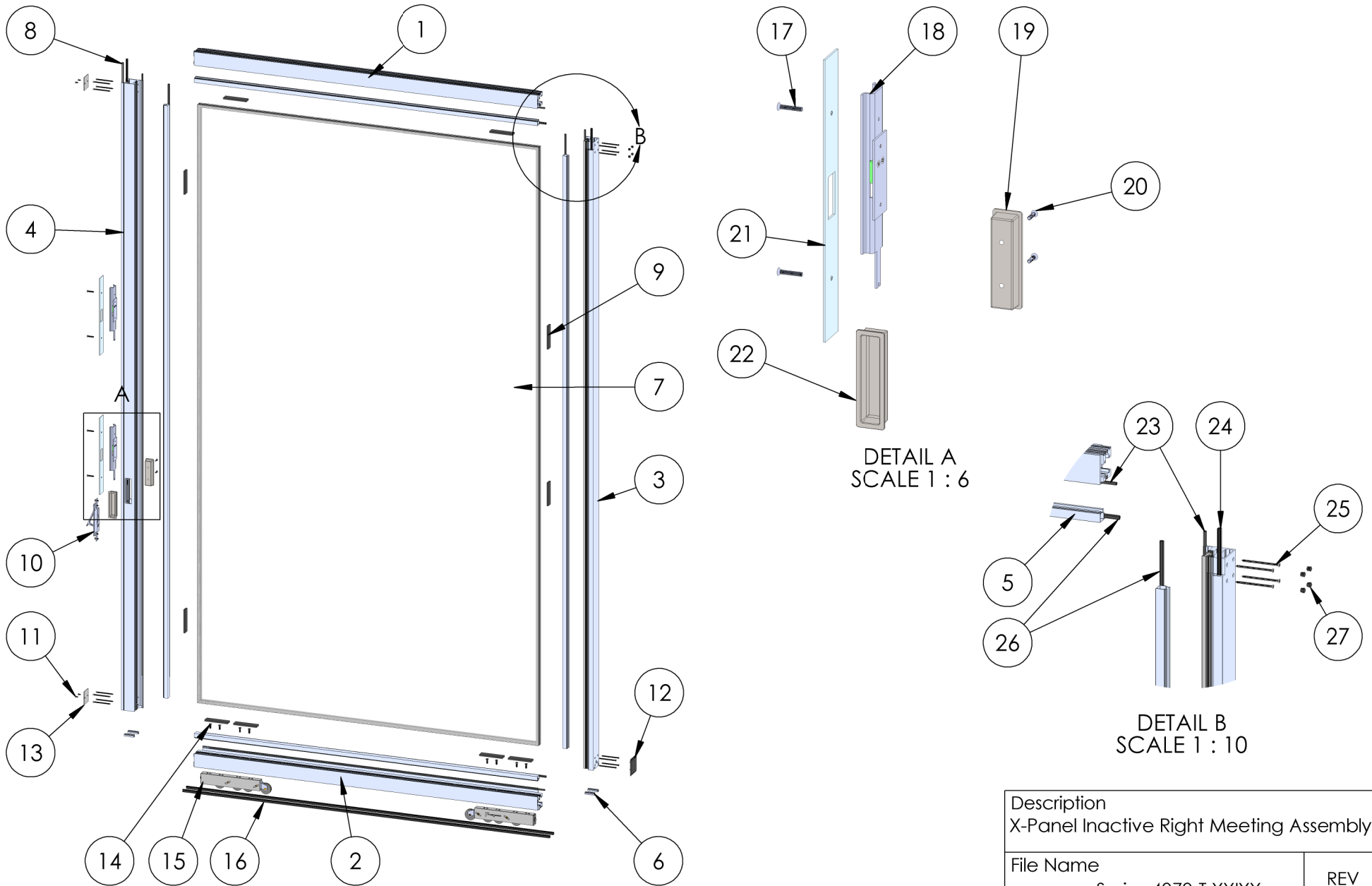
PROPRIETARY AND CONFIDENTIAL

THE INFORMATION CONTAINED IN THIS DRAWING IS THE SOLE PROPERTY OF FLEETWOOD WINDOWS & DOORS.
ANY REPRODUCTION IN PART OR AS A WHOLE WITHOUT THE WRITTEN PERMISSION OF FLEETWOOD WINDOWS & DOORS IS PROHIBITED.

Released 6/14/2024

SHEET 7 OF 11

ASSEMBLY / PARTS LIST (B.O.M.)



PROPRIETARY AND CONFIDENTIAL
THE INFORMATION CONTAINED IN THIS DRAWING IS THE SOLE PROPERTY OF FLEETWOOD WINDOWS & DOORS.
ANY REPRODUCTION IN PART OR AS A WHOLE WITHOUT THE WRITTEN PERMISSION OF FLEETWOOD WINDOWS & DOORS IS PROHIBITED.

Description X-Panel Inactive Right Meeting Assembly	
File Name Series 4070-T XXIXX Assembly	REV E
Released	6/14/2024
SHEET 8 OF 11	

ASSEMBLY / PARTS LIST (B.O.M.)

EXTRUSIONS

ITEM NO.	PART NUMBER	DESCRIPTION	QTY.
1	4709	Top Rail	1
2	4709	Bottom Rail	1
3	4712	Sliding Interlocker	1
4	4738	Female Lockstile	1
5	3924, 4735, 4736	9/16", 1.25", 1.5" Glass Stops	4
6	3916	Seal Clip	4

HARDWARE

ITEM NO.	PART NUMBER	DESCRIPTION	QTY.
7	-	Glass	1
8	25912	Fin Seal Mohair 190270	2
9	18620	Setting Block 4" x 1/4" x 1"	10
10	26136	Edge Pull Thermal	1
11	20240	#8 FHP-A-UC, 0.5 in.	4
12	26471	Interlocker Bottom Cap	1
13	26056	Female Meeting Stile Cover Plate	2
14	20305	# 1/4-20 FHP Screw, 0.75 in.	8
15	25768	A4 Quad Roller	2
16	25770	Sill Wipe, Bottom Vinyl	2
17	25563	#10-32 FHP Screw, .875 in	4
18	25923	4070-T Strike Plate Assembly - Meeting Style	2
19	25362, 25363	Archetype Narrow- Dummy Int. Pocket (BL, SS)	1
20	26124, 26125	#8-32 Socket Head Screw, 1.156 in. (SS, BL)	2
21	24067	Strike Plate	2
22	25925, 25926	Archetype Narrow Flush Ext. Deep Pocket (BL, SS)	1

HARDWARE

ITEM NO.	PART NUMBER	DESCRIPTION	QTY.
23	25199	Mini Bulb Vinyl	4
24	19118	Small Fin Seal Mohair, 22027045BKGB	1
25	20262	#8 FHP Screw, 3 in.	16
26	25031	Bulb Vinyl Large	4
27	25907	Round Plastic Plug	4

Description
X-Panel Inactive Right Meeting B.O.M.

File Name
Series 4070-T XXIXX
Assembly

REV
E

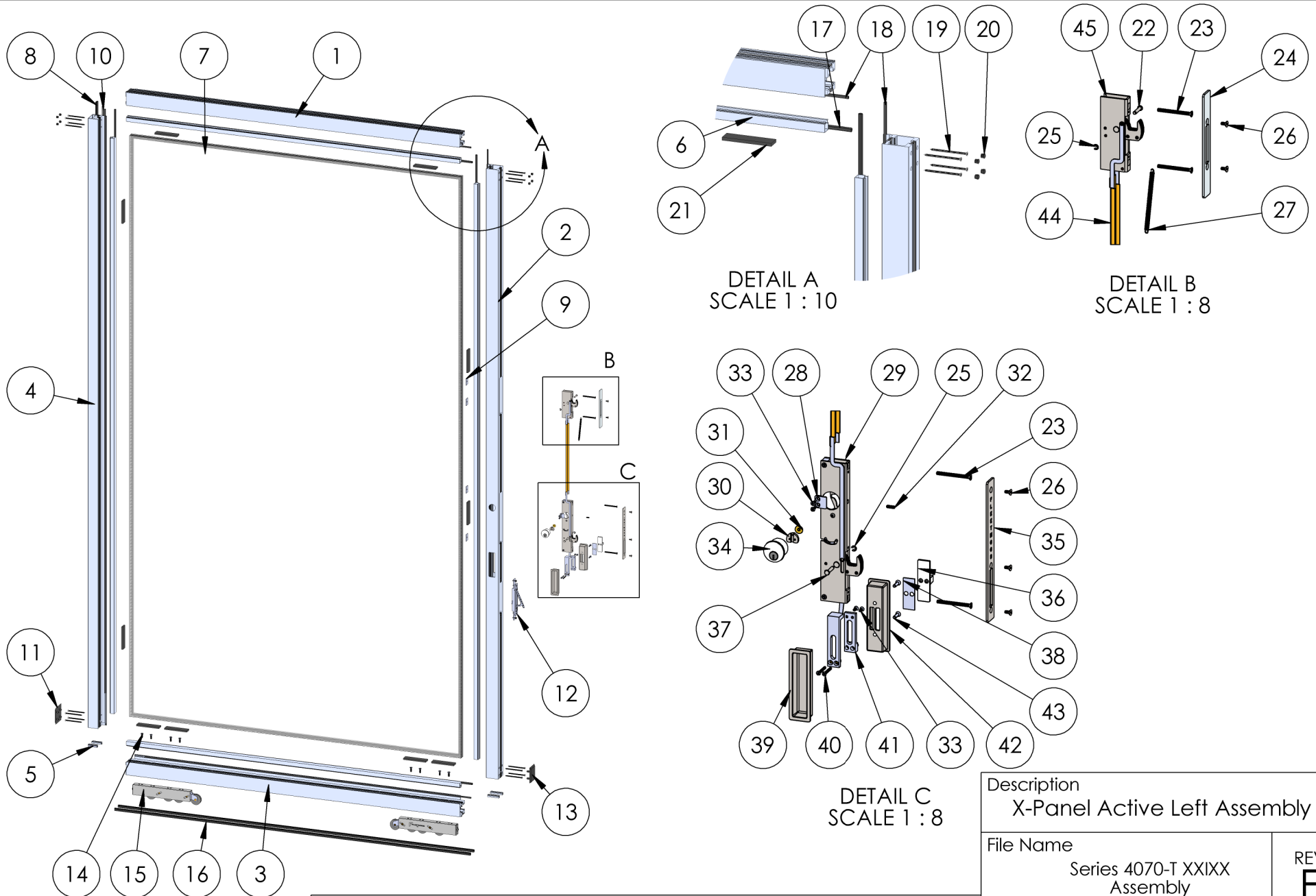
PROPRIETARY AND CONFIDENTIAL

THE INFORMATION CONTAINED IN THIS DRAWING IS THE SOLE PROPERTY OF FLEETWOOD WINDOWS & DOORS.
ANY REPRODUCTION IN PART OR AS A WHOLE WITHOUT THE WRITTEN PERMISSION OF FLEETWOOD WINDOWS & DOORS IS PROHIBITED.

Released 6/14/2024

SHEET 9 OF 11

ASSEMBLY / PARTS LIST (B.O.M.)



PROPRIETARY AND CONFIDENTIAL
THE INFORMATION CONTAINED IN THIS DRAWING IS THE SOLE PROPERTY OF FLEETWOOD WINDOWS & DOORS.
ANY REPRODUCTION IN PART OR AS A WHOLE WITHOUT THE WRITTEN PERMISSION OF FLEETWOOD WINDOWS & DOORS IS PROHIBITED.

Description X-Panel Active Left Assembly	
File Name Series 4070-T XXIXX Assembly	REV E
Released	6/14/2024
SHEET 10 OF 11	

ASSEMBLY / PARTS LIST (B.O.M.)

EXTRUSIONS

ITEM NO.	PART NUMBER	DESCRIPTION	QTY.
1	4709	Top Rail	1
2	4742	Lead Stile Slip Strut	1
3	4709	Bottom Rail	1
4	4711	Interlock Stacks Exterior	1
5	3916	Seal Clip	4
6	3924, 4735, 4736	9/16", 1.25", 1.5" Glass Stops	4

HARDWARE

ITEM NO.	PART NUMBER	DESCRIPTION	QTY.
7	-	Glass	1
8	26046	Flexible Vinyl Air Barrier	1
9	18671	Back Up Plate # 10-32 x 0.075 Thk.	4
10	19118	Small Fin Seal Mohair, 22027045BKGB	1
11	26471	Interlocker Bottom Cap	1
12	26136	Edge Pull Thermal	1
13	26472	Lead Stile Bottom Cap	1
14	20305	#1/4-20 FHP Screw, 0.75 in.	8
15	25768	A4 Quad Roller	2
16	25770	Sill Wipe, Bottom Vinyl	2
17	25031	Bulb Vinyl Large	4
18	25199	Mini Bulb Vinyl	4
19	20262	#8 FHP Screw, 3 in.	16
20	25907	Round Plastic Plug	8
21	18620	Setting Block 4" x 1/4" x 1"	10
22	24128	Archetype Pin, Clevis Grooved	1
23	25928	#10-32 FHP Screw, 2.188"	4
24	26225	Archetype Narrow Secondary Latch Faceplate	1
25	24129	E-Style Retaining Ring	2
26	24076	#8-32 FHS, 3/8" Hex Socket Flat SS	5
27	26171	Spring Compensation	1

HARDWARE

ITEM NO.	PART NUMBER	DESCRIPTION	QTY.
28	26170	Archetype Narrow Secondary Latch Linkage Guide	1
29	25320	Archetype Narrow Latch OX	1
30	24780	Cam - (for the Archetype Key Cylinder)	1
31	25681	Bushing-Key Cyl. - Narrow Arch.	1
32	25330	#8-32 x 1/2" Set Screw Narrow Arch. Cyl.	1
33	25890	#6-32 FHP-B Screw, .375 in.	4
34	25771-25774	Archetype Narrow KA Cylinder Set (BL, SS) & KD Cylinder Set (BL, SS)	1
35	25309	Archetype Narrow Latch Face Plate	1
36	25317, 25318	Archetype Narrow Flush Actuator (BL, SS)	1
37	26172	Clevis Pin (Primary Archetype Narrow Latch)	1
38	26245	Friction Pad .03"	1
39	25925, 25926	Archetype Narrow Flush Ext. Deep Pocket (BL, SS)	1
40	25891	#6-32 FHP Screw, 1.125 in.	2
41	25889	Adaptor Plate for Latch	1
42	25314, 25315	Archetype Narrow Flush Int. Pocket (BL, SS)	1
43	26124, 26125	#8-32 Socket Head Screw, 1.156 in. (SS, BL)	2
44	26168	Linkage for Archetype Narrow, OX	1
45	26166	Archetype Narrow Secondary Latch	1

Description
X-Panel Active Left B.O.M.

File Name
Series 4070-T XXIXX
Assembly

REV
E

PROPRIETARY AND CONFIDENTIAL

THE INFORMATION CONTAINED IN THIS DRAWING IS THE SOLE PROPERTY OF FLEETWOOD WINDOWS & DOORS.
ANY REPRODUCTION IN PART OR AS A WHOLE WITHOUT THE WRITTEN PERMISSION OF FLEETWOOD WINDOWS & DOORS IS PROHIBITED.

Released 6/14/2024

SHEET 11 OF 11