

ASSEMBLY / PARTS LIST (B.O.M.)

Series: 4070-T
Type: XX Configuration with Screen

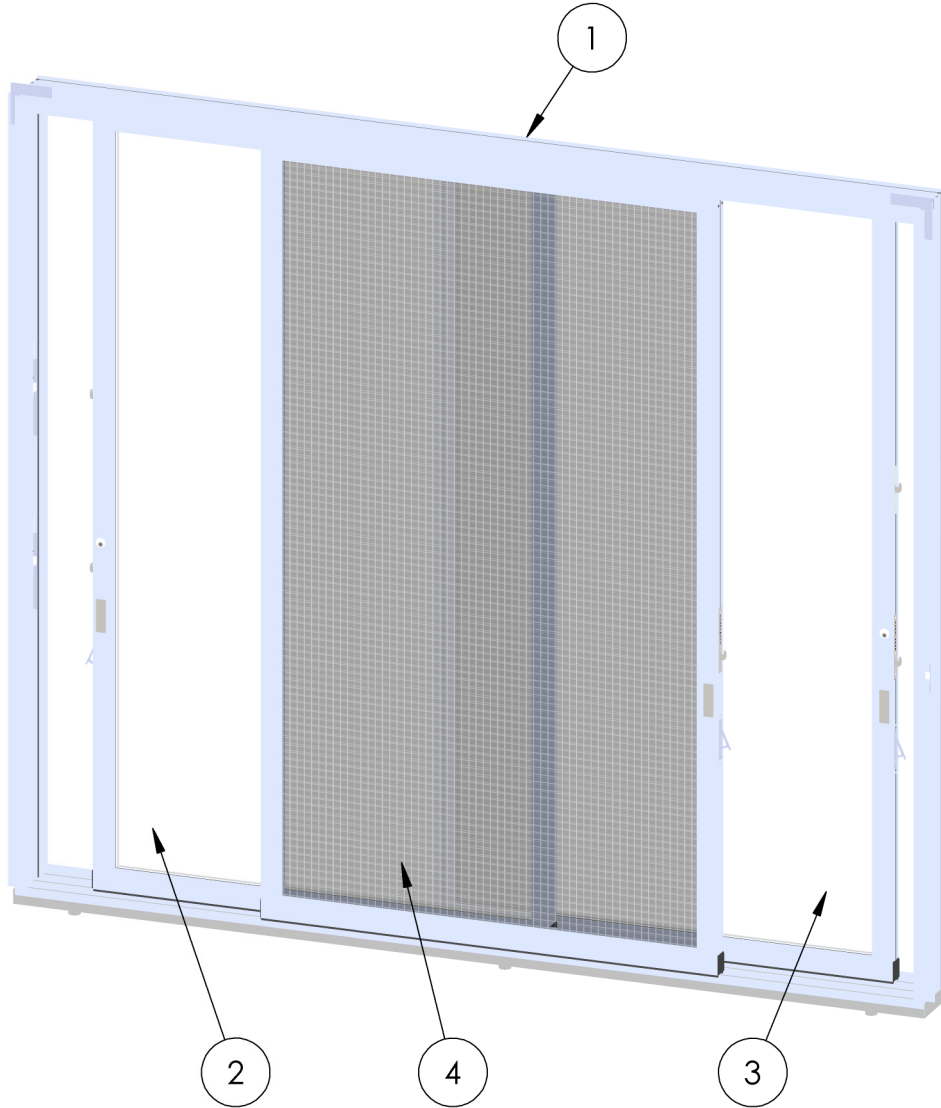


TABLE OF CONTENTS		
ITEM NO.	DESCRIPTION	PAGE #
1	Frame Assembly	2-3
2	X-Panel Active Right	4-5
3	X-Panel Active Left	6-7
4	Screen Active Left	8-9

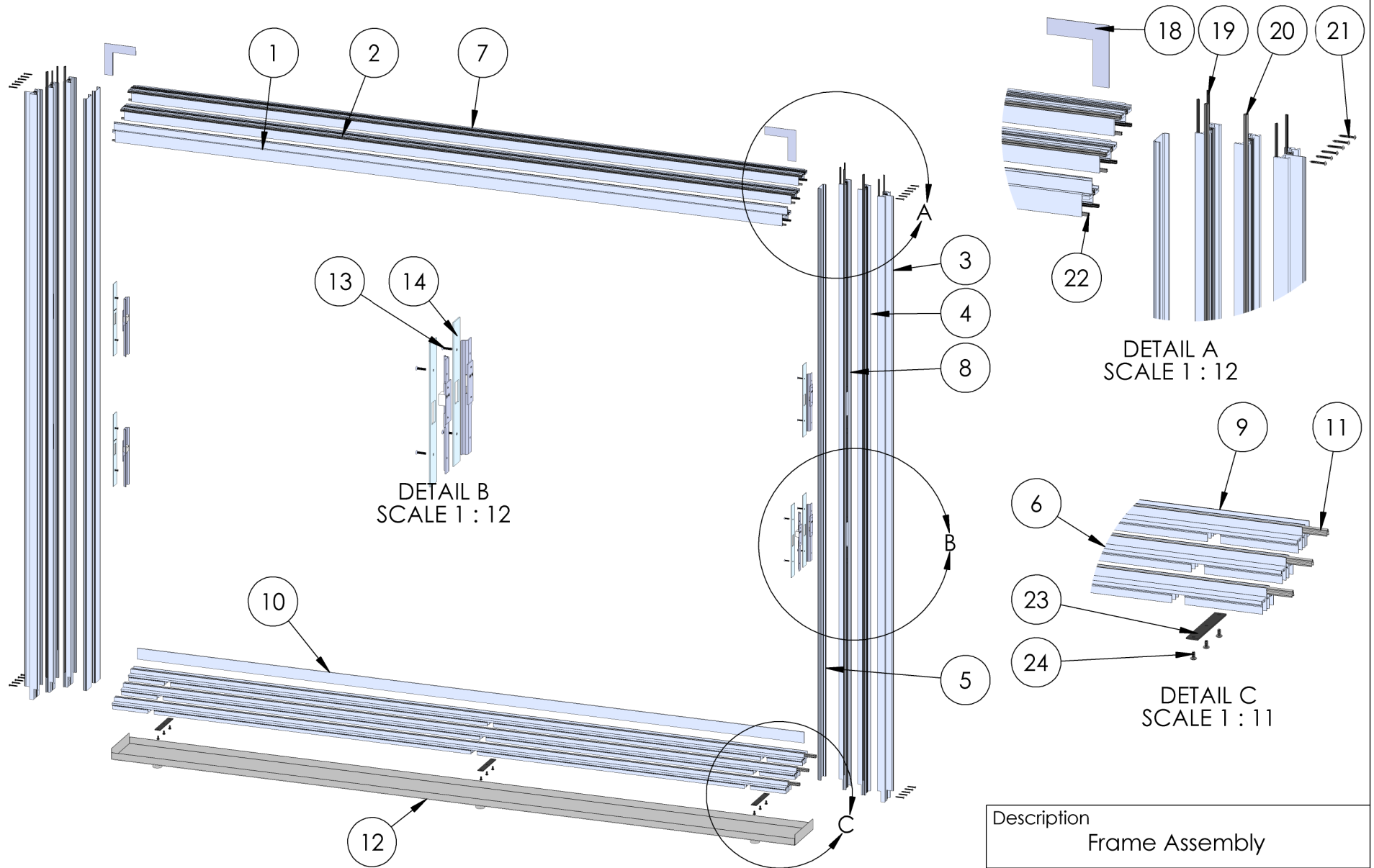
NOTES:

1. Stacks to the Interior shown

Description Table of Contents	
File Name Series 4070-T XX Assembly	REV D
Released 9/5/2024	SHEET 1 OF 9

PROPRIETARY AND CONFIDENTIAL
 THE INFORMATION CONTAINED IN THIS DRAWING IS THE SOLE PROPERTY OF FLEETWOOD WINDOWS & DOORS.
 ANY REPRODUCTION IN PART OR AS A WHOLE WITHOUT THE WRITTEN PERMISSION OF FLEETWOOD WINDOWS & DOORS IS PROHIBITED.

ASSEMBLY / PARTS LIST (B.O.M.)



PROPRIETARY AND CONFIDENTIAL
THE INFORMATION CONTAINED IN THIS DRAWING IS THE SOLE PROPERTY OF FLEETWOOD WINDOWS & DOORS.
ANY REPRODUCTION IN PART OR AS A WHOLE WITHOUT THE WRITTEN PERMISSION OF FLEETWOOD WINDOWS & DOORS IS PROHIBITED.

Description Frame Assembly	
File Name Series 4070-T XX Assembly	REV D
Released 9/5/2024	SHEET 2 OF 9

ASSEMBLY / PARTS LIST (B.O.M.)

EXTRUSIONS

ITEM NO.	PART NUMBER	DESCRIPTION	QTY.
1	4701	Nail Fin Head	1
2	4702	Intermediate Head	1
3	4703	Nail Fin Jamb	2
4	4704	Intermediate Jamb	2
5	4705	Jamb Filler	3
6	4707	Sill	2
7	4727	Block Head	1
8	4728	Block Jamb	2
9	4734	Water Channel Sill	1
10	FW1201	Water Slot Drain Spacer	1
11	FW1020	Stainless Steel Track	3

HARDWARE

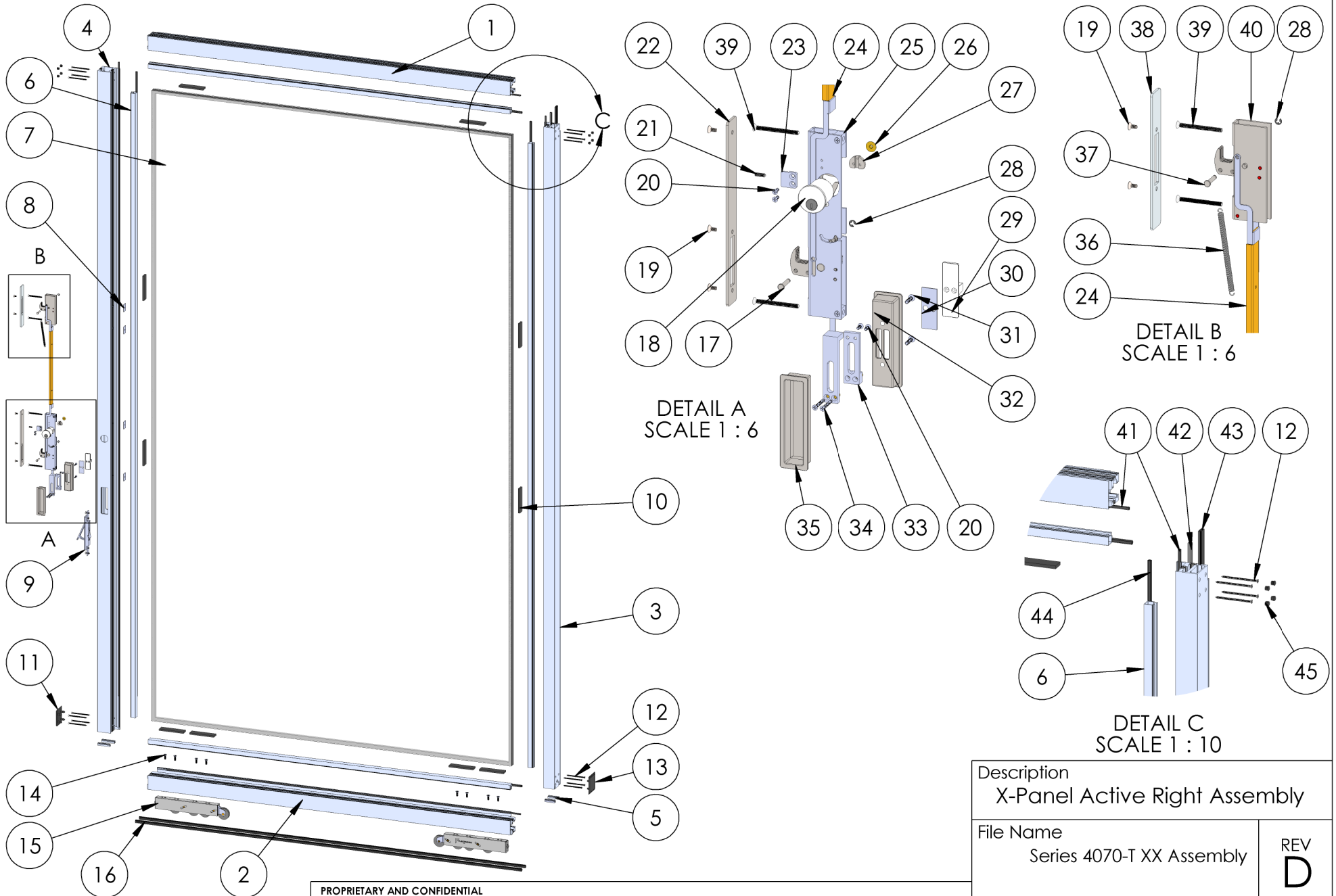
ITEM NO.	PART NUMBER	DESCRIPTION	QTY.
12	-	Arche-Duct	1
		Sheet	-
13	25563	#10-32 FHP Screw, .875 in	10
14	24067	Strike Plate	5
15	25922	Backup Plate Assembly (RH Nailfin Ext.)	1
16	25921	Backup Plate Assembly (LH Nailfin Ext.)	2
17	24790	Backup Plate Assembly	2
18	18629	Nail-Fin Corner (For Nail-Fin Door)	2
19	25757	Q-Lon Foam Seal 0.2 x 0.27	6
20	25065	14.6mm x 10.2mm I-Strut	6
21	20353	#10 PHP - A, 1-1/2", SS, Clear	22
22	25912	Fin Seal Mohair 190270	6
23	25762	4070-T, 3-Track Sill Strap	Varies
24	20357	25-20 PHP-B Screw	Varies

Description Frame B.O.M.	
File Name Series 4070-T XX Assembly	REV D
Released 9/5/2024	SHEET 3 OF 9

PROPRIETARY AND CONFIDENTIAL

THE INFORMATION CONTAINED IN THIS DRAWING IS THE SOLE PROPERTY OF FLEETWOOD WINDOWS & DOORS.
ANY REPRODUCTION IN PART OR AS A WHOLE WITHOUT THE WRITTEN PERMISSION OF FLEETWOOD WINDOWS & DOORS IS PROHIBITED.

ASSEMBLY / PARTS LIST (B.O.M.)



PROPRIETARY AND CONFIDENTIAL
THE INFORMATION CONTAINED IN THIS DRAWING IS THE SOLE PROPERTY OF FLEETWOOD WINDOWS & DOORS.
ANY REPRODUCTION IN PART OR AS A WHOLE WITHOUT THE WRITTEN PERMISSION OF FLEETWOOD WINDOWS & DOORS IS PROHIBITED.

Description X-Panel Active Right Assembly	
File Name Series 4070-T XX Assembly	REV D
Released	9/5/2024
SHEET 4 OF 9	

ASSEMBLY / PARTS LIST (B.O.M.)

EXTRUSIONS

ITEM NO.	PART NUMBER	DESCRIPTION	QTY.
1	4709	Top Rail	1
2	4709	Bottom Rail	1
3	4711	Interlock Stacks Exterior	1
4	4742	Lead Stile Slip Strut	1
5	3916	Seal Clip (Two per bottom corner)	4
6	3924, 4735, 4736	9/16", 1.25", 1.5" Glass Stops	4

HARDWARE

ITEM NO.	PART NUMBER	DESCRIPTION	QTY.
7	-	Glass	1
8	18671	Back Up Plate # 10-32 x 0.075 Thk.	4
9	26136	Edge Pull Thermal	1
10	18620	Setting Block 4" x 1/4" x 1"	Varies
11	26472	Lead Stile Bottom Cap	1
12	20262	#8 FHP Screw, 3 in.	16
13	26471	Interlocker Bottom Cap	1
14	20305	#1/4-20 FHP Screw, 0.75 in.	8
15	25768	A4 Quad Roller	2
16	25770	Sill Wipe, Bottom Vinyl	2
17	26172	Clevis Pin (Primary Archetype Narrow Latch)	1
18	25771-25774	Archetype Narrow KA Cylinder Set (BL, SS) & KD Cylinder Set (BL, SS)	1
19	24076	#8-32 FHS, 3/8" Hex Socket Flat SS	5
20	25890	#6-32 FHP-B Screw, .375 in.	4
21	25330	#8-32 x 1/2" Set Screw Narrow Arch. Cyl.	1
22	25309	Archetype Narrow Latch Face Plate	1
23	26170	Archetype Narrow Secondary Latch Linkage Guide	1
24	26168, 26169	Archetype Narrow Secondary Latch Linkage (OX, XO)	1
25	25319	Archetype Narrow Flush Latch XO	1
26	25681	Bushing-Key Cyl. - Narrow Arch.	1
27	24780	Cam - (for the Archetype Key Cylinder)	1
28	24129	E-Style Retaining Ring	2
29	25317, 25318	Archetype Narrow Flush Actuator (BL, SS)	1

HARDWARE

ITEM NO.	PART NUMBER	DESCRIPTION	QTY.
30	26245	Friction Pad .03"	1
31	26124, 26125	#8-32 Socket Head Screw, 1.156 in. (SS, BL)	2
32	25314, 25315	Archetype Narrow Flush Int. Pocket (BL, SS)	1
33	25889	Adaptor Plate for Latch	1
34	25891	#6-32 FHP Screw, 1.125 in.	2
35	25925, 25926	Archetype Narrow Flush Ext. Deep Pocket (BL, SS)	1
36	26171	Spring Compensation	1
37	24128	Archetype Pin, Clevis Grooved	1
38	26225	Archetype Narrow Secondary Latch Faceplate	1
39	25928	#10-32 FHP Screw, 2.188"	4
40	26166	Archetype Narrow Secondary Latch	1
41	25199	Mini Bulb Vinyl	4
42	19118	Small Fin Seal Mohair, 22027045BKGB	1
43	26046	Flexible Vinyl Air Barrier	1
44	25031	Bulb Vinyl Large	4
45	25907	Round Plastic Plug	8

Description
X-Panel Active Right B.O.M.

File Name
Series 4070-T XX Assembly

REV
D

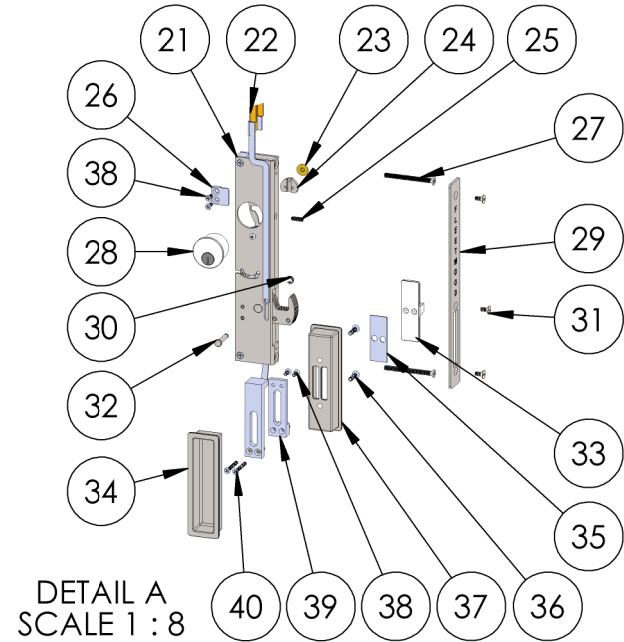
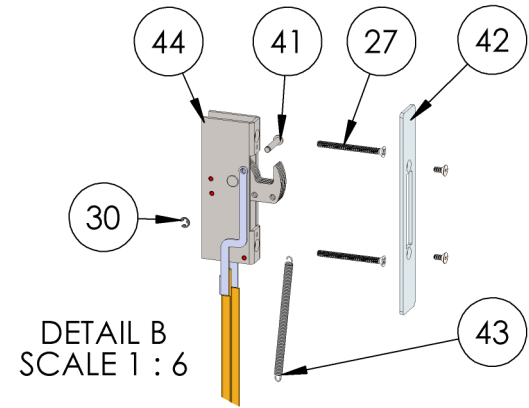
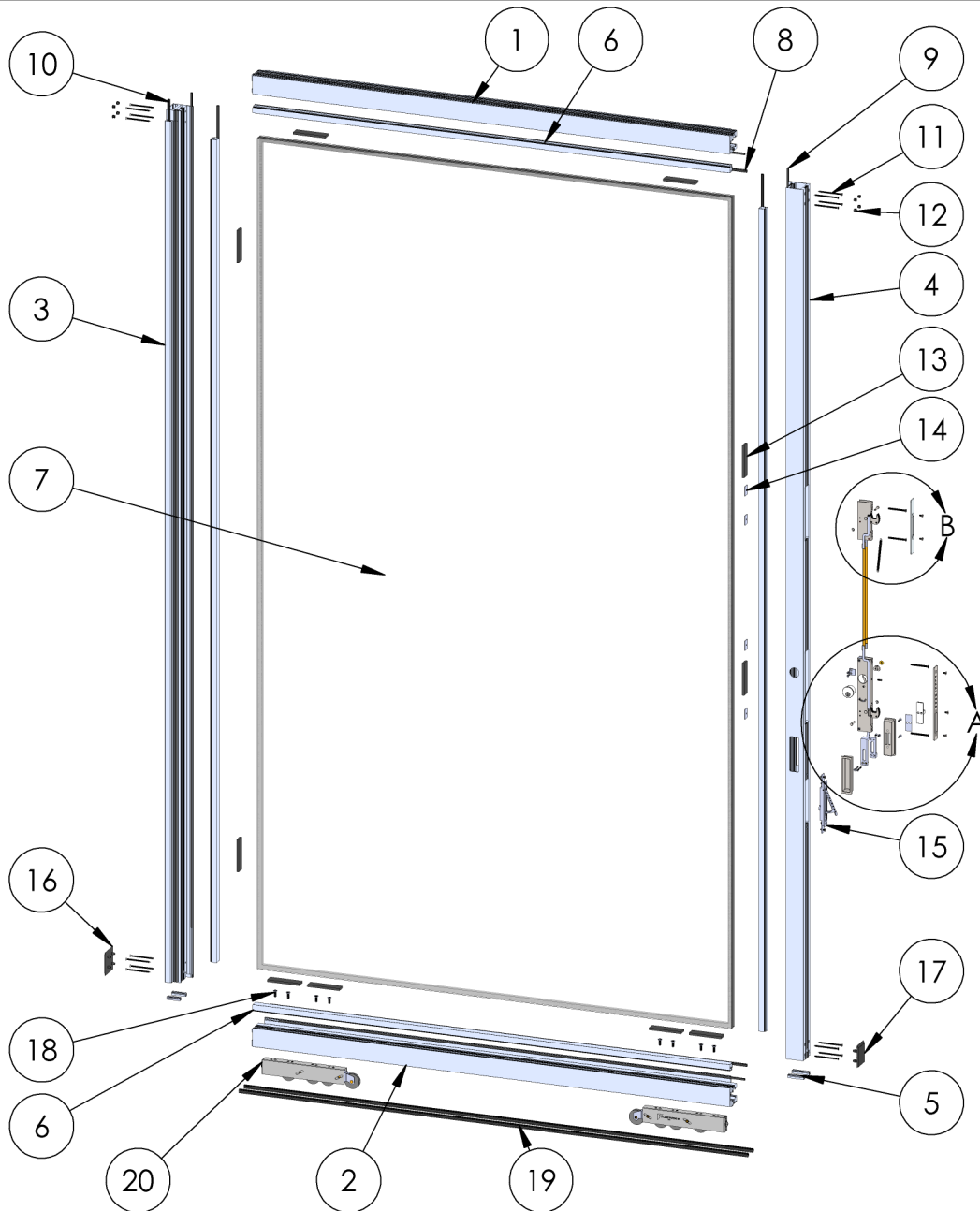
Released 9/5/2024

SHEET 5 OF 9

PROPRIETARY AND CONFIDENTIAL

THE INFORMATION CONTAINED IN THIS DRAWING IS THE SOLE PROPERTY OF FLEETWOOD WINDOWS & DOORS.
ANY REPRODUCTION IN PART OR AS A WHOLE WITHOUT THE WRITTEN PERMISSION OF FLEETWOOD WINDOWS & DOORS IS PROHIBITED.

ASSEMBLY / PARTS LIST (B.O.M.)



PROPRIETARY AND CONFIDENTIAL
THE INFORMATION CONTAINED IN THIS DRAWING IS THE SOLE PROPERTY OF FLEETWOOD WINDOWS & DOORS.
ANY REPRODUCTION IN PART OR AS A WHOLE WITHOUT THE WRITTEN PERMISSION OF FLEETWOOD WINDOWS & DOORS IS PROHIBITED.

Description X-Panel Active Left Assembly	
File Name Series 4070-T XX Assembly	REV D
Released	9/5/2024
SHEET 6 OF 9	

ASSEMBLY / PARTS LIST (B.O.M.)

EXTRUSIONS

ITEM NO.	PART NUMBER	DESCRIPTION	QTY.
1	4709	Top Rail	1
2	4709	Bottom Rail	1
3	4712	Sliding Interlocker	1
4	4742	Lead Stile Slip Strut	1
5	3916	Seal Clip	4
6	3924, 4735, 4736	9/16", 1.25", 1.5" Glass Stops	4

HARDWARE

ITEM NO.	PART NUMBER	DESCRIPTION	QTY.
7	-	Glass	1
8	25031	Bulb Vinyl Large	4
9	25199	Mini Bulb Vinyl	4
10	19118	Small Fin Seal Mohair, 22027045BKGB	1
11	20262	#8 FHP Screw, 3 in.	16
12	25907	Round Plastic Plug	8
13	18620	Setting Block 4" x 1/4" x 1"	Varies
14	18671	Back Up Plate # 10-32 x 0.075 Thk.	4
15	26136	Edge Pull Thermal	1
16	26471	Interlocker Bottom Cap	1
17	26472	Lead Stile Bottom Cap	1
18	20305	#1/4-20 FHP Screw, 0.75 in.	8
19	25770	Sill Wipe, Bottom Vinyl	2
20	25768	A4 Quad Roller	2
21	25320	Archetype Narrow Latch OX	1
22	26168	Linkage for Archetype Narrow, OX	1
23	25681	Bushing-Key Cyl. - Narrow Arch.	1
24	24780	Cam - (for the Archetype Key Cylinder)	1
25	25330	#8-32 x 1/2" Set Screw Narrow Arch. Cyl.	1
26	26170	Archetype Narrow Secondary Latch Linkage Guide	1
27	25928	#10-32 FHP Screw, 2.188"	4
28	25771-25774	Archetype Narrow KA Cylinder Set (BL, SS) & KD Cylinder Set (BL, SS)	1

HARDWARE

ITEM NO.	PART NUMBER	DESCRIPTION	QTY.
29	25309	Archetype Narrow Latch Face Plate	1
30	24129	E-Style Retaining Ring	2
31	24076	#8-32 FHS, 3/8" Hex Socket Flat SS	5
32	26172	Clevis Pin (Primary Archetype Narrow Latch)	1
33	25317, 25318	Archetype Narrow Flush Actuator (BL, SS)	1
34	25925, 25926	Archetype Narrow Flush Ext. Deep Pocket (BL, SS)	1
35	26245	Friction Pad .03"	1
36	26124, 26125	#8-32 Socket Head Screw, 1.156 in. (SS, BL)	2
37	25314, 25315	Archetype Narrow Flush Int. Pocket (BL, SS)	1
38	25890	#6-32 FHP-B Screw, .375 in.	4
39	25889	Adaptor Plate for Latch	1
40	25891	#6-32 FHP Screw, 1.125 in.	2
41	24128	Archetype Pin, Clevis Grooved	1
42	26225	Archetype Narrow Secondary Latch Faceplate	1
43	26171	Spring Compensation	1
44	26166	Archetype Narrow Secondary Latch	1

Description
X-Panel Active Left B.O.M.

File Name
Series 4070-T XX Assembly

REV
D

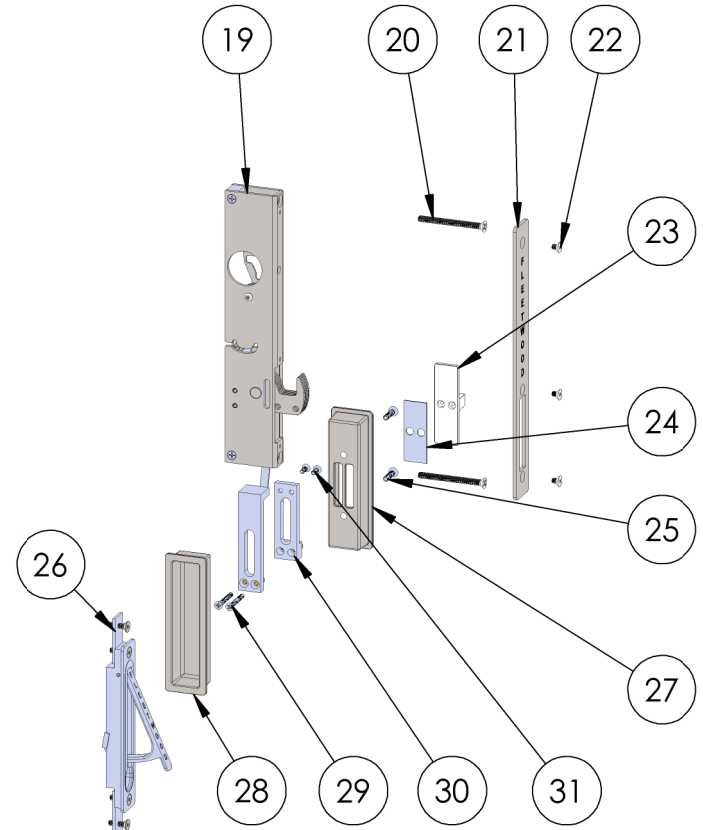
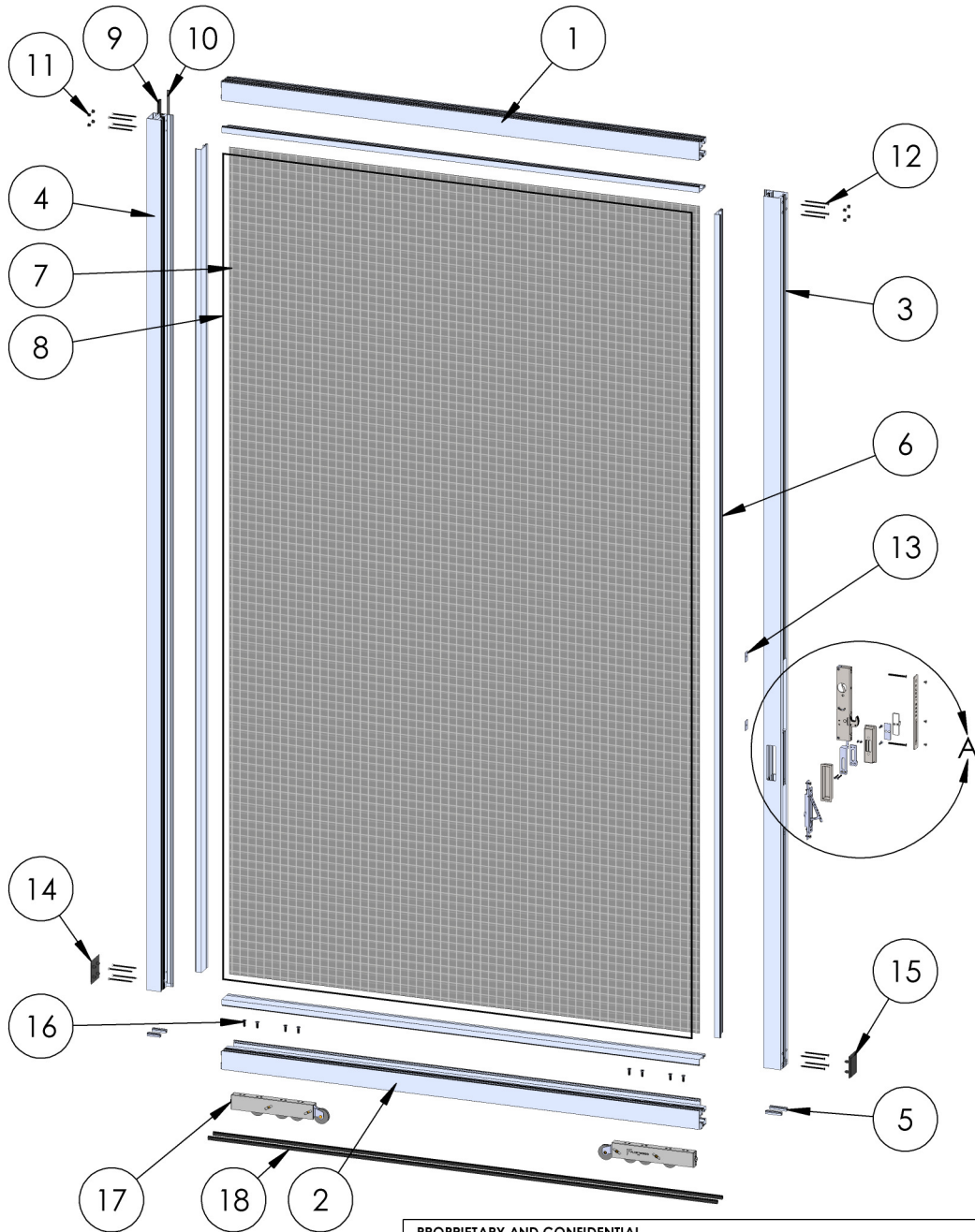
Released 9/5/2024

SHEET 7 OF 9

PROPRIETARY AND CONFIDENTIAL

THE INFORMATION CONTAINED IN THIS DRAWING IS THE SOLE PROPERTY OF FLEETWOOD WINDOWS & DOORS.
ANY REPRODUCTION IN PART OR AS A WHOLE WITHOUT THE WRITTEN PERMISSION OF FLEETWOOD WINDOWS & DOORS IS PROHIBITED.

ASSEMBLY / PARTS LIST (B.O.M.)



DETAIL A
SCALE 1 : 6

PROPRIETARY AND CONFIDENTIAL
THE INFORMATION CONTAINED IN THIS DRAWING IS THE SOLE PROPERTY OF FLEETWOOD WINDOWS & DOORS.
ANY REPRODUCTION IN PART OR AS A WHOLE WITHOUT THE WRITTEN PERMISSION OF FLEETWOOD WINDOWS & DOORS IS PROHIBITED.

Description Screen Active Left Assembly	
File Name Series 4070-T XX Assembly	REV D
Released	9/5/2024
SHEET 8 OF 9	

ASSEMBLY / PARTS LIST (B.O.M.)

EXTRUSIONS

ITEM NO.	PART NUMBER	DESCRIPTION	QTY.
1	4709	Top Rail	1
2	4709	Bottom Rail	1
3	4710	Lock Stile	1
4	4711	Interlocker	1
5	3916	Seal Clip	4
6	4717	Screen Adaptor	4

HARDWARE

ITEM NO.	PART NUMBER	DESCRIPTION	QTY.
7	-	Screen Mesh	1
8	19127	Screen Rubber Spline	1
9	26046	Flexible Vinyl Air Barrier	1
10	19118	Small Fin Seal Mohair, 22027045BKGB	1
11	25907	Round Plastic Plug	8
12	20262	#8 FHP Screw, 3 in.	16
13	18671	Back Up Plate # 10-32 x 0.075 Thk.	2
14	26471	Interlocker Bottom Cap	1
15	26472	Lead Stile Bottom Cap	1
16	20305	#1/4-20 FHP Screw, 0.75 in.	8
17	25768	A4 Quad Roller	2
18	25770	Sill Wipe, Bottom Vinyl	2
19	25320	Archetype Narrow Latch OX	1

HARDWARE

ITEM NO.	PART NUMBER	DESCRIPTION	QTY.
20	25928	#10-32 FHP Screw, 2.188"	2
21	25309	Archetype Narrow Latch Face Plate	1
22	24076	#8-32 FH Socket Cap Screw, 3/8",SS	3
23	25317, 25318	Archetype Narrow Flush Actuator (BL, SS)	1
24	26245	Friction Pad .03"	1
25	26124, 26125	#8-32 Socket Head Screw, 1.156 in. (SS, BL)	2
26	26136	Edge Pull Thermal	1
27	25314, 25315	Archetype Narrow Flush Int. Pocket (BL, SS)	1
28	25925, 25926	Archetype Narrow Flush Ext. Deep Pocket (BL, SS)	1
29	25755	#6-32 FHP Screw, 1.125 in.	2
30	25889	Adaptor Plate for Latch	1
31	25890	#6-32 FHP-B Screw, .375 in.	2

Description
Screen Active Left B.O.M.

File Name
Series 4070-T XX Assembly

REV
D

PROPRIETARY AND CONFIDENTIAL

THE INFORMATION CONTAINED IN THIS DRAWING IS THE SOLE PROPERTY OF FLEETWOOD WINDOWS & DOORS.
ANY REPRODUCTION IN PART OR AS A WHOLE WITHOUT THE WRITTEN PERMISSION OF FLEETWOOD WINDOWS & DOORS IS PROHIBITED.

Released 9/5/2024

SHEET 9 OF 9