

ASSEMBLY / PARTS LIST (B.O.M.)

Series: 4070-T
Type: XO Configuration

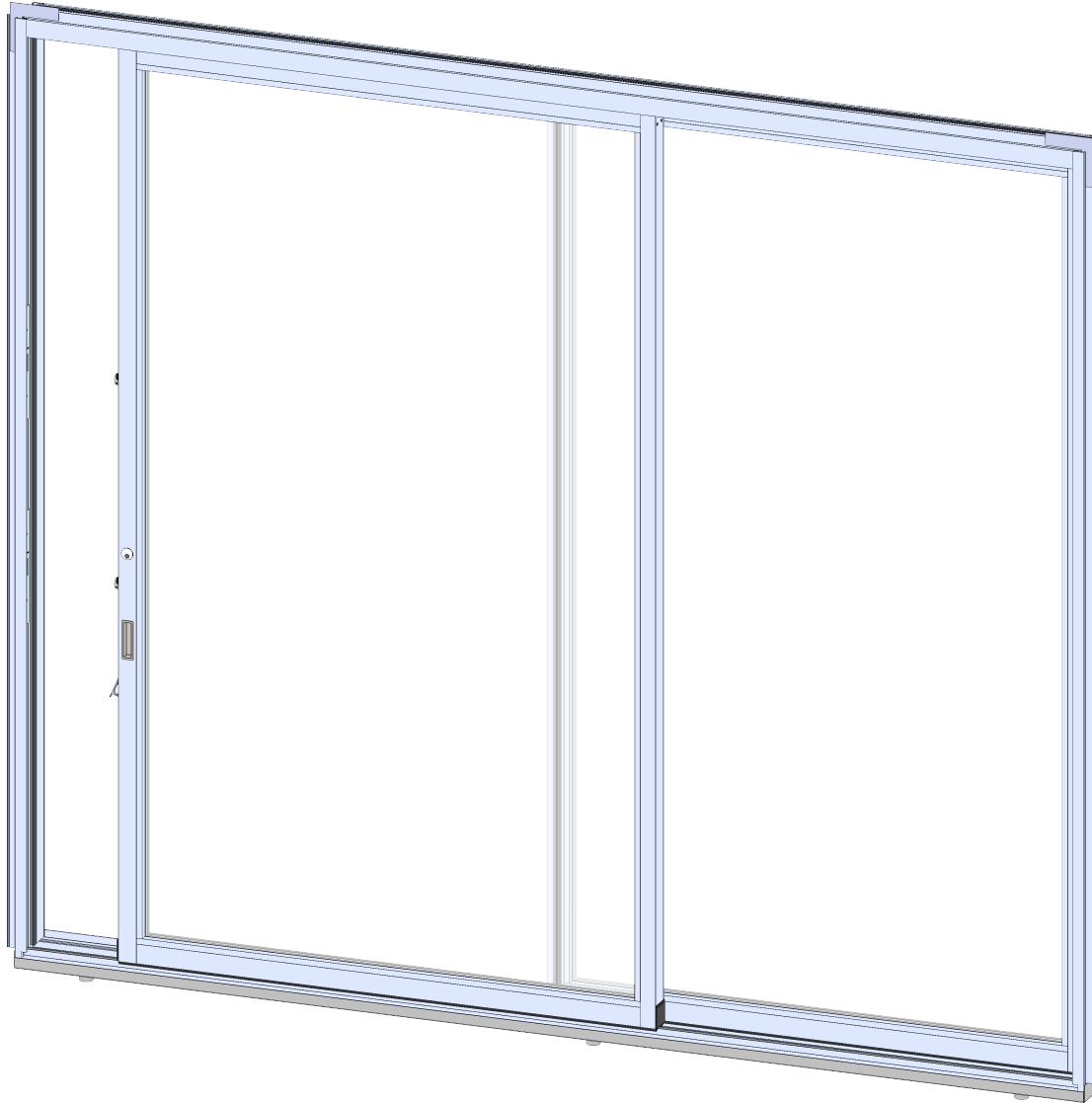


TABLE OF CONTENTS

ITEM NO.	DESCRIPTION	PAGE #
1	Frame Assembly	2-3
2	Sliding Panel Assembly	4-5
3	Fixed Panel Assembly	6
4	Tables	7

NOTES:

1. Exterior Glazing Shown
2. Optional Magnetic Secondary Lock Shown

Description
Table of Contents

File Name
Series 4070-T XO Assembly

REV
B

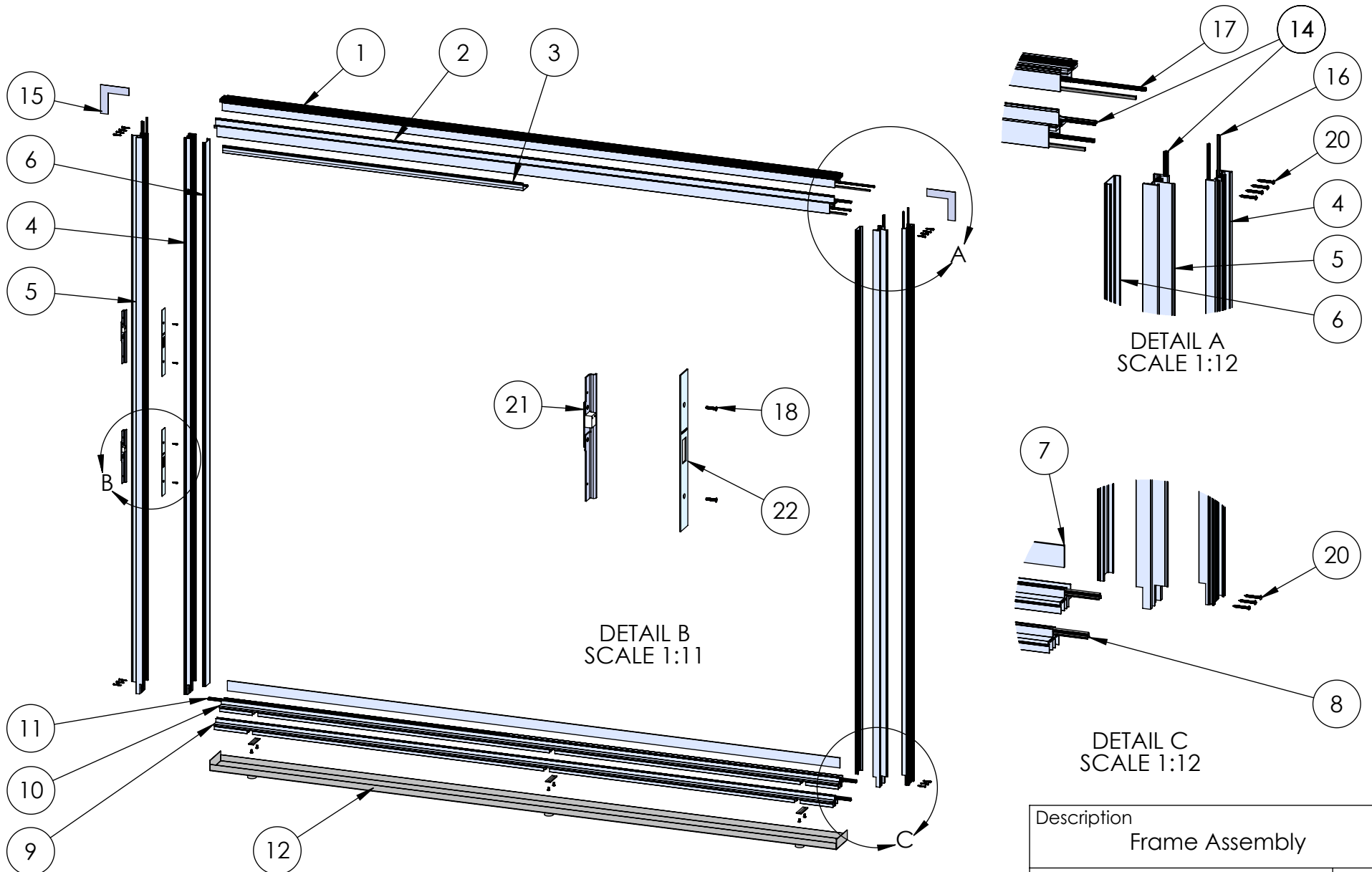
Released 1/30/2026

SHEET 1 OF 7

PROPRIETARY AND CONFIDENTIAL

THE INFORMATION CONTAINED IN THIS DRAWING IS THE SOLE PROPERTY OF FLEETWOOD WINDOWS & DOORS.
ANY REPRODUCTION IN PART OR AS A WHOLE WITHOUT THE WRITTEN PERMISSION OF FLEETWOOD WINDOWS & DOORS IS PROHIBITED.

ASSEMBLY / PARTS LIST (B.O.M.)



PROPRIETARY AND CONFIDENTIAL
 THE INFORMATION CONTAINED IN THIS DRAWING IS THE SOLE PROPERTY OF FLEETWOOD WINDOWS & DOORS.
 ANY REPRODUCTION IN PART OR AS A WHOLE WITHOUT THE WRITTEN PERMISSION OF FLEETWOOD WINDOWS & DOORS IS PROHIBITED.

Description Frame Assembly	
File Name Series 4070-T XO Assembly	REV B
Released 1/30/2026	SHEET 2 OF 7

ASSEMBLY / PARTS LIST (B.O.M.)

EXTRUSIONS

ITEM NO.	PART NUMBER	DESCRIPTION	QTY.
1	4727	Block Head	1
2	4701	Nail Fin Head	1
3	4706	Head Filler	1
4	4728	Block Jamb	2
5	4703	Nail Fin Jamb	2
6	4705	Head Antilift	2
7	FW1201	Water Slot Drain Spacer	1
8	FW1020	Stainless Steel Track	2
9	4707	Sill	1
10	4734	Water Channel Sill	1
11	4708	Sill Cover	1

HARDWARE

ITEM NO.	PART NUMBER	DESCRIPTION	QTY.
12	-	Arche-Duct	1
13	25761	4070-T, 2-Track Sill Strap	3
14	25065	14.6mm x 10.2mm I-Strut	3
15	18629	Nail-Fin Corner (For Nail-Fin Door)	2
16	25757	Q-Lon Foam Seal 0.2 x 0.27	4
17	25912	Fin Seal Mohair 190270	4
18	25563	#10-32 FHP Screw, 7/8", SS, Clear	4
19	20357	.25-20 PHP-B Screw	6
20	20353	#10 PHP - A, 1-1/2", SS, Clear	14
21	25921	Backup Plate Assembly (LH Nailfin Ext.)	2
22	24067	Strike Plate	2

Description

Frame B.O.M.

File Name

Series 4070-T XO Assembly

REV
B

Released

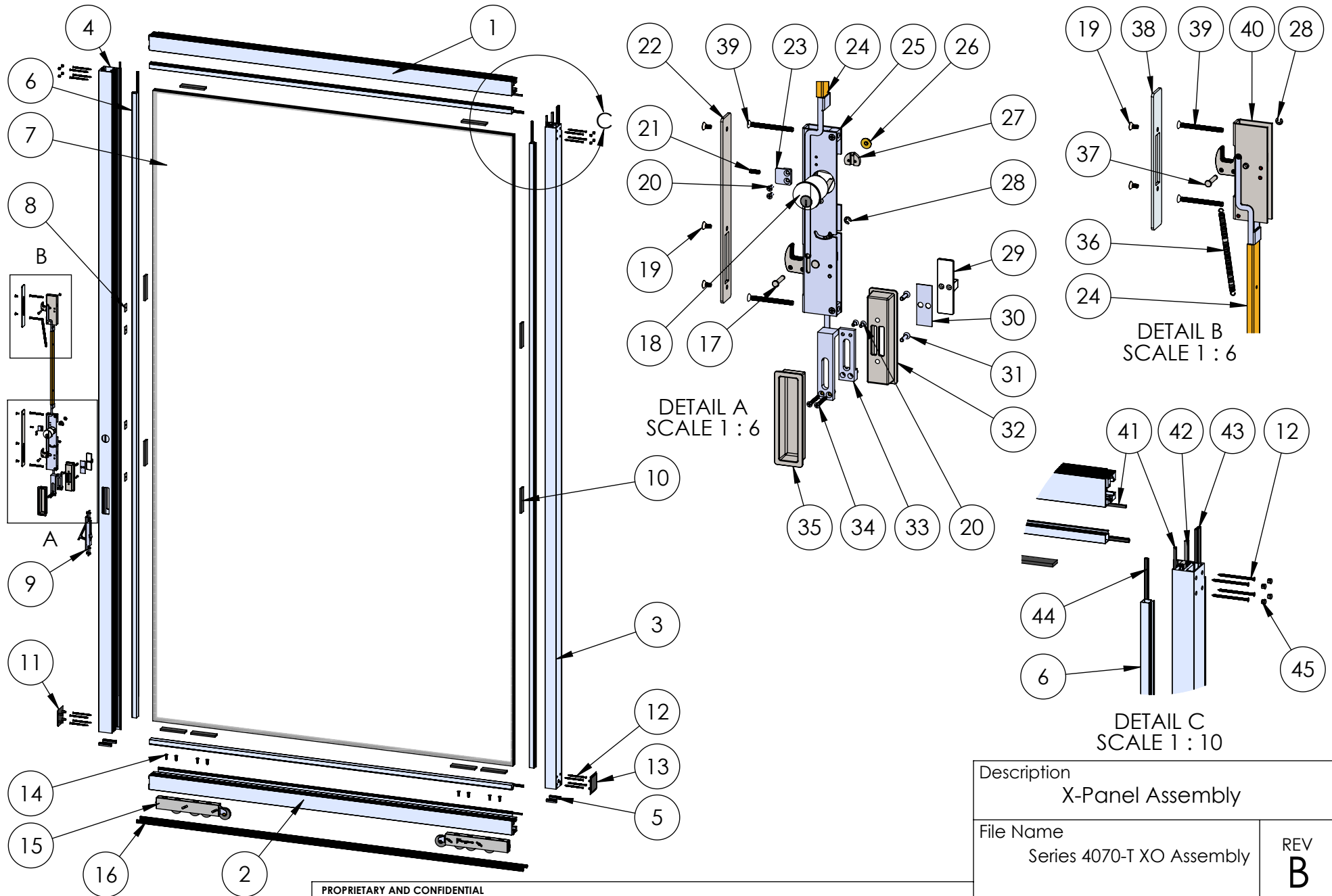
1/30/2026

SHEET 3 OF 7

PROPRIETARY AND CONFIDENTIAL

THE INFORMATION CONTAINED IN THIS DRAWING IS THE SOLE PROPERTY OF FLEETWOOD WINDOWS & DOORS.
ANY REPRODUCTION IN PART OR AS A WHOLE WITHOUT THE WRITTEN PERMISSION OF FLEETWOOD WINDOWS & DOORS IS PROHIBITED.

ASSEMBLY / PARTS LIST (B.O.M.)



PROPRIETARY AND CONFIDENTIAL
THE INFORMATION CONTAINED IN THIS DRAWING IS THE SOLE PROPERTY OF FLEETWOOD WINDOWS & DOORS.
ANY REPRODUCTION IN PART OR AS A WHOLE WITHOUT THE WRITTEN PERMISSION OF FLEETWOOD WINDOWS & DOORS IS PROHIBITED.

Description X-Panel Assembly	
File Name Series 4070-T XO Assembly	REV B
Released	1/30/2026
SHEET 4 OF 7	

ASSEMBLY / PARTS LIST (B.O.M.)

EXTRUSIONS

ITEM NO.	PART NUMBER	DESCRIPTION	QTY.
1	4709	Top Rail	1
2	4709	Bottom Rail	1
3	4711	Interlock Stacks Exterior	1
4	4742	Lead Stile Slip Strut	1
5	3916	Seal Clip (Two per bottom corner)	4
6	See Table A	Glass Stop	4

HARDWARE

ITEM NO.	PART NUMBER	DESCRIPTION	QTY.
7	-	Glass	1
8	18671	Back Up Plate	4
9	26136, 27680	Edge Pull Thermal (SS, BL)	1
10	18620	Setting Block 1/4" x 1" x 4"	Varies
11	26472	Lead Stile Bottom Cap	1
12	20262	#8 FHP Screw, 3 in.	16
13	26471	Interlocker Bottom Cap	1
14	20305	#1/4-20 FHP Screw, 0.75 in.	8
15	25768	A4 Quad Roller	2
16	25770	Sill Wipe, Bottom Vinyl	2
17	26172	Clevis Pin (Primary Archetype Narrow Latch)	1
18	See Table B	Key Cylinder	1
19	24076	#8-32 FHS, 3/8" Hex Socket Flat SS	5
20	25890	#6-32 FHP-B Screw, .375 in.	4
21	25330	#8-32 x 1/2" Set Screw Narrow Arch. Cyl.	1
22	25309	Archetype Narrow Latch Face Plate	1
23	26170	Archetype Narrow Secondary Latch Linkage Guide	1
24	26168, 26169	Archetype Narrow Secondary Latch Linkage (OX, XO)	1
25	25319	Archetype Narrow Flush Latch XO	1
26	25681	Brass Bushing - Key Cylinder	1
27	24780	Cam - (for the Archetype Key Cylinder)	1
28	24129	E-Style Retaining Ring	2
29	25317, 25318	Archetype Narrow Flush Actuator (BL, SS)	1

HARDWARE

ITEM NO.	PART NUMBER	DESCRIPTION	QTY.
30	26245	Friction Pad .03"	1
31	26124, 26125	#8-32 Socket Head Screw, 1 1/16". (SS, BL)	2
32	25314, 25315	Archetype Narrow Flush Int. Pocket (BL, SS)	1
33	25889	Adaptor Plate for Latch	1
34	25891	#6-32 FHP Screw, 1.125 in.	2
35	25925, 25926	Archetype Narrow Flush Ext. Deep Pocket (BL, SS)	1
36	26171	Spring Compensation	1
37	24128	Archetype Pin, Clevis Grooved	1
38	26225	Archetype Narrow Secondary Latch Faceplate	1
39	25928	#10-32 FHP Screw, 2.188"	4
40	26166	Archetype Narrow Secondary Latch	1
41	25199	Mini Bulb Vinyl	4
42	19118	Small Fin Seal Mohair, 22027045BKGB	1
43	26046	Flexible Vinyl Air Barrier	1
44	27685	Medium Bulb Vinyl	4
45	25907	Round Plastic Plug	8

Description

X-Panel B.O.M.

File Name

Series 4070-T XO Assembly

REV
B

Released

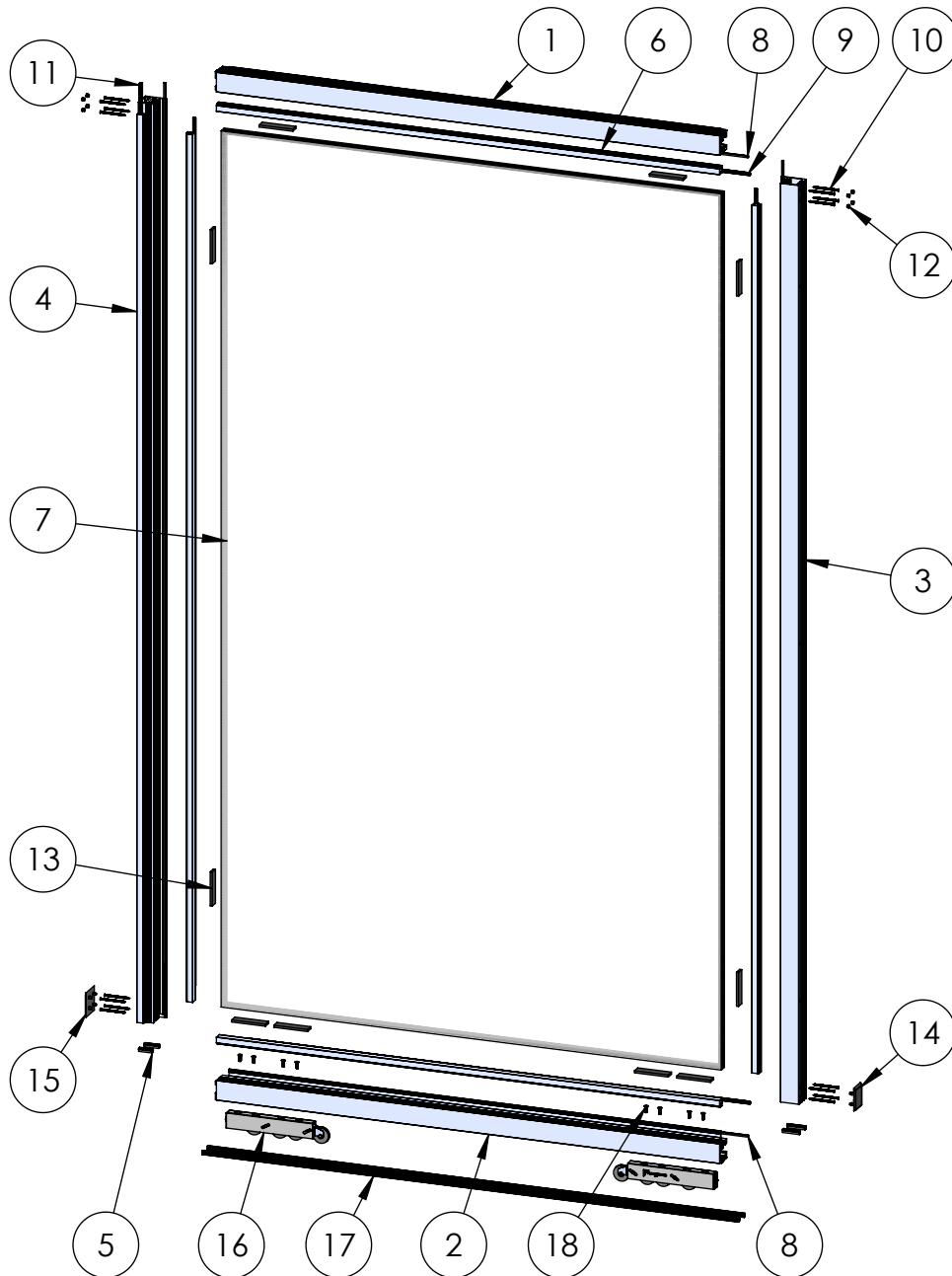
1/30/2026

SHEET 5 OF 7

PROPRIETARY AND CONFIDENTIAL

THE INFORMATION CONTAINED IN THIS DRAWING IS THE SOLE PROPERTY OF FLEETWOOD WINDOWS & DOORS.
ANY REPRODUCTION IN PART OR AS A WHOLE WITHOUT THE WRITTEN PERMISSION OF FLEETWOOD WINDOWS & DOORS IS PROHIBITED.

ASSEMBLY / PARTS LIST (B.O.M.)



EXTRUSION

ITEM NO.	PART NUMBER	DESCRIPTION	QTY.
1	4709	Top Rail	1
2	4709	Bottom Rail	1
3	4710	Fixed Lead Stile	1
4	4712	Sliding Interlocker	1
5	3916	Seal Clip	4
6	See Table A	Glass Stop	4

HARDWARE

ITEM NO.	PART NUMBER	DESCRIPTION	QTY.
7	-	Glass	1
8	25199	Mini Bulb Vinyl	4
9	27685	Medium Bulb Vinyl	4
10	20262	#8 FHP Screw, 3 in.	16
11	19118	Small Fin Seal Mohair, 22027045BKGB	1
12	25907	Round Plastic Plug	8
13	18620	Setting Block 1/4" x 1" x 4"	10
14	26472	Lead Stile Bottom Cap	1
15	26471	Interlocker Bottom Cap	1
16	25768	A4 Quad Roller	2
17	25770	Sill Wipe, Bottom Vinyl	2
18	20305	#1/4-20 FHP Screw, 0.75 in.	8

Description
O Panel Assembly

File Name
Series 4070-T XO Assembly

REV
B

Released 1/30/2026

SHEET 6 OF 7

PROPRIETARY AND CONFIDENTIAL
THE INFORMATION CONTAINED IN THIS DRAWING IS THE SOLE PROPERTY OF FLEETWOOD WINDOWS & DOORS.
ANY REPRODUCTION IN PART OR AS A WHOLE WITHOUT THE WRITTEN PERMISSION OF FLEETWOOD WINDOWS & DOORS IS PROHIBITED.

ASSEMBLY / PARTS LIST (B.O.M.)

TABLE A: Glass Stop Options

Glass Thickness	ID
9/16"	3924
1-1/4"	4735
1-1/2"	4736

TABLE B: Key Cylinder Options

Keyed	Color	ID
Alike	Black	25771
	Stainless	25773
Different	Black	25772
	Stainless	25774

Description	
Tables	
File Name	REV
Series 4070-T XO Assembly	B
Released	SHEET 7 OF 7
1/30/2026	