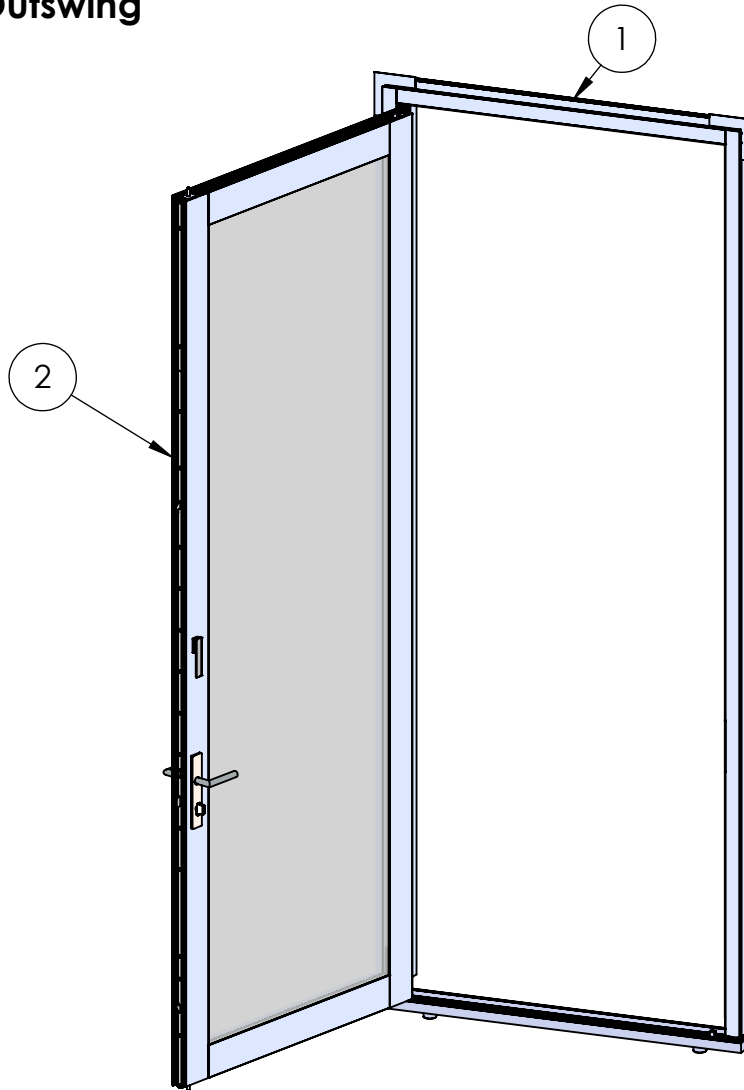


# ASSEMBLY / PARTS LIST (B.O.M.)

**Series: 3900-T**  
**Type: H Electronic Latch with DPL and Arche-duct Outswing**

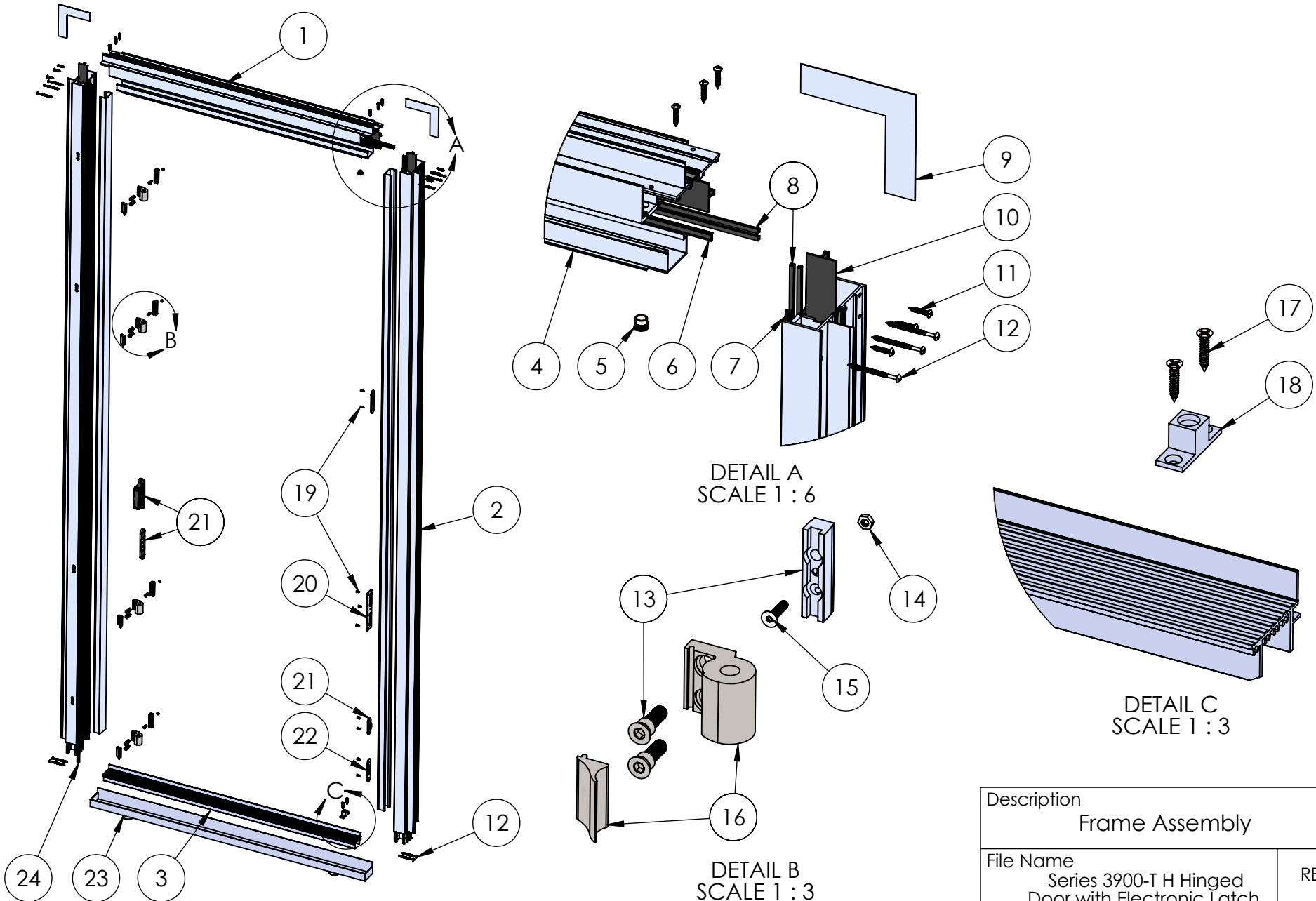
| TABLE OF CONTENTS |                |      |        |
|-------------------|----------------|------|--------|
| ITEM NO.          | DESCRIPTION    | QTY. | PAGE # |
| 1                 | Frame Assembly | 1    | 2-3    |
| 2                 | Active Panel   | 1    | 4-5    |



**PROPRIETARY AND CONFIDENTIAL**  
 THE INFORMATION CONTAINED IN THIS DRAWING IS THE SOLE PROPERTY OF FLEETWOOD WINDOWS & DOORS.  
 ANY REPRODUCTION IN PART OR AS A WHOLE WITHOUT THE WRITTEN PERMISSION OF FLEETWOOD WINDOWS & DOORS IS PROHIBITED.

|   |              |
|---|--------------|
| Description<br>Table of Contents  |              |
| File Name<br>Series 3900-T H Hinged<br>Door with Electronic Latch,<br>DPL, and Arche-duct | REV          |
| Released 7/7/2023   | SHEET 1 OF 5 |

# ASSEMBLY / PARTS LIST (B.O.M.)



DETAIL A  
 SCALE 1 : 6

DETAIL B  
 SCALE 1 : 3

DETAIL C  
 SCALE 1 : 3

**PROPRIETARY AND CONFIDENTIAL**  
 THE INFORMATION CONTAINED IN THIS DRAWING IS THE SOLE PROPERTY OF FLEETWOOD WINDOWS & DOORS.  
 ANY REPRODUCTION IN PART OR AS A WHOLE WITHOUT THE WRITTEN PERMISSION OF FLEETWOOD WINDOWS & DOORS IS PROHIBITED.

|                |  |              |
|----------------|--|--------------|
| Description    |  |              |
| Frame Assembly |  |              |
| File Name      | Series 3900-T H Hinged Door with Electronic Latch, DPL, and Arche-duct | REV          |
| Released       | 7/7/2023   | SHEET 2 OF 5 |

# ASSEMBLY / PARTS LIST (B.O.M.)

## EXTRUSIONS

| ITEM NO. | PART NUMBER      | DESCRIPTION                       | QTY. |
|----------|------------------|-----------------------------------|------|
| 1        | 3921, 3922, 3923 | Head (Block, Outswing, Inswing)   | 1    |
| 2        | 3921, 3922, 3923 | Jamb (Block, Out-Swing, In-Swing) | 2    |
| 3        | 4411             | Arche-Duct Sill                   | 1    |
| 4        | 3912             | Snap-in                           | 3    |

## HARDWARE

|    |                     |  |    |
|----|---------------------|--|----|
| 5  | 20542               | Shootbolt Cup  | 1  |
| 6  | 25058               | Q-Lon Foam Seal (at Head)                            | 1  |
| 7  | 25189               | Q-Lon Foam Seal (Q225T190)                           | 1  |
| 8  | 25199               | Mini Bulb Vinyl                                      | 6  |
| 9  | 18629               | Nail-Fin Corner                                      | 2  |
| 10 | 24888               | Frame Thermal Barrier                                | 3  |
| 11 | 20350               | #10 PHP Screw, 1"                                    | 12 |
| 12 | 25075               | #10 PHP Screw, 2.5"                                  | 10 |
| 13 | 20535               | Savio Hinge Back up Kit                              | 4  |
| 14 | 26463               | #10-32 Hex Nut                                       | 4  |
| 15 | 25073               | #10-32 FHP Screw, .750"                              | 4  |
| 16 | 23223, 23387, 23388 | Savio Butt Hinge Set - Frame Portion (Cl, Mill, Blk) | 4  |
| 17 | 20293               | #10 FHP-A, 1", SS, Clear                             | 2  |
| 18 | 27113               | Shoot Bolt Guide - Arche-Duct Anchor                 | 1  |
| 19 | 20240               | #8 FHP-UC Screw, 0.5"                                | 9  |
| 20 | 24993               | Latch-Deadbolt Strike Plate                          | 1  |
| 21 | 26268               | Controller Kit - Electronic                          | 1  |
| 22 | 27056               | Jamb Hook Strike, SS (TRUTH)                         | 2  |
| 23 | -                   | Arche-duct   | 1  |
| 24 | 25059               | Q-Lon Foam Seap (at Sill & Jamb)                     | 1  |

Description

Frame B.O.M

File Name

Series 3900-T H Hinged  
Door with Electronic Latch,  
DPL, and Arche-duct

REV

**PROPRIETARY AND CONFIDENTIAL**

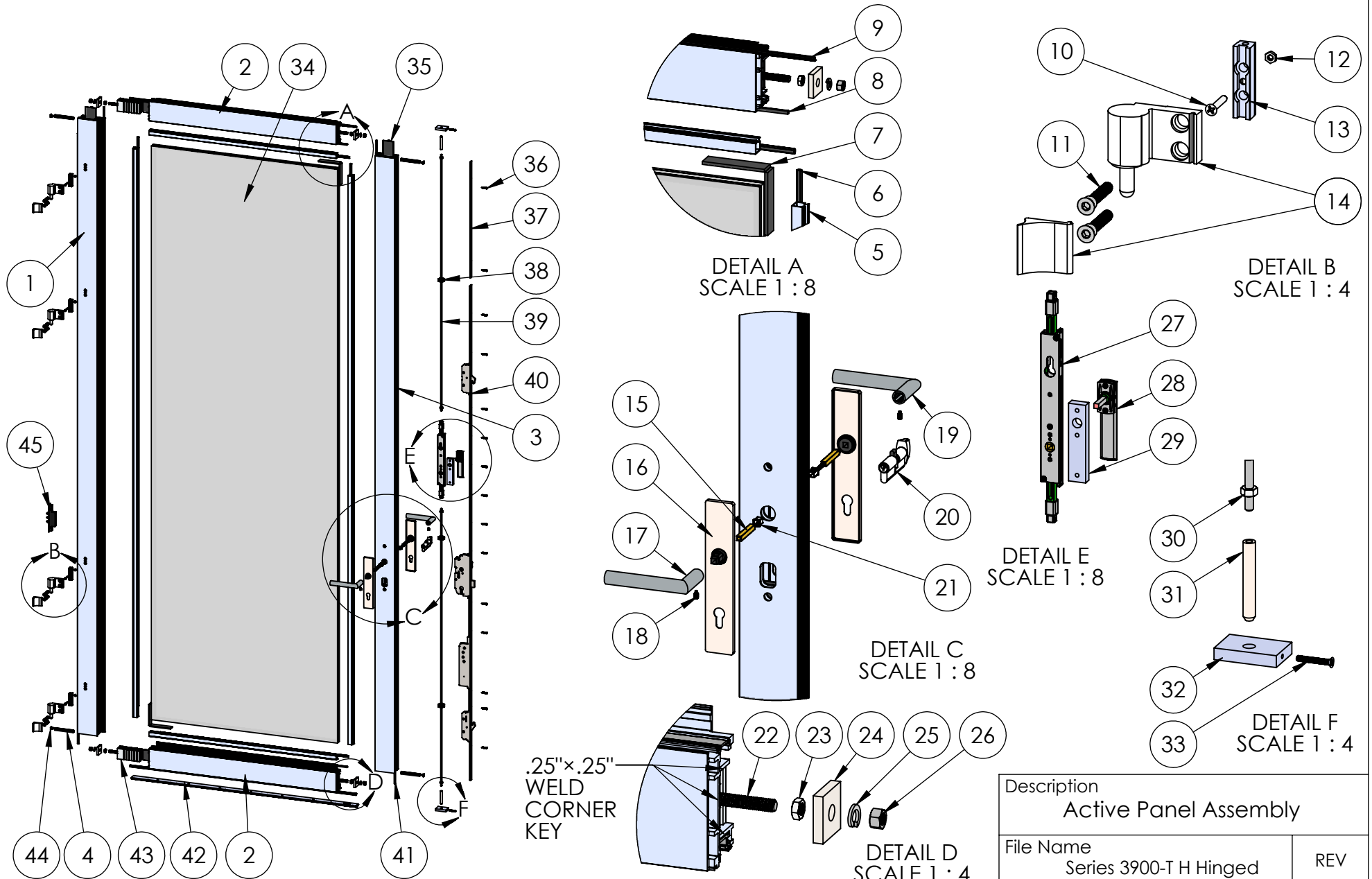
THE INFORMATION CONTAINED IN THIS DRAWING IS THE SOLE PROPERTY OF FLEETWOOD WINDOWS & DOORS.  
ANY REPRODUCTION IN PART OR AS A WHOLE WITHOUT THE WRITTEN PERMISSION OF FLEETWOOD WINDOWS & DOORS IS PROHIBITED.

Released

7/7/2023

SHEET 3 OF 5

# ASSEMBLY / PARTS LIST (B.O.M.)



**PROPRIETARY AND CONFIDENTIAL**  
THE INFORMATION CONTAINED IN THIS DRAWING IS THE SOLE PROPERTY OF FLEETWOOD WINDOWS & DOORS.  
ANY REPRODUCTION IN PART OR AS A WHOLE WITHOUT THE WRITTEN PERMISSION OF FLEETWOOD WINDOWS & DOORS IS PROHIBITED.

|   |              |
|---|--------------|
| Description<br>Active Panel Assembly  |              |
| File Name<br>Series 3900-T H Hinged<br>Door with Electronic Latch,<br>DPL, and Arche-duct | REV          |
| Released 7/7/2023   | SHEET 4 OF 5 |

# ASSEMBLY / PARTS LIST (B.O.M.)

## EXTRUSIONS

| ITEM NO. | PART NUMBER            | DESCRIPTION                         | QTY. |
|----------|------------------------|-------------------------------------|------|
| 1        | 3902                   | Fixed Stile                         | 1    |
| 2        | 3902                   | Top/Bottom Rails                    | 2    |
| 3        | 3902                   | Electronic Lock Stile               | 1    |
| 4        | 3916                   | Seal Clip (One per corner)          | 4    |
| 5        | 3907, 3924, 4735, 4736 | Glass Stop (1", 9/16", 1.25", 1.5") | 4    |

## HARDWARE

| ITEM NO. | PART NUMBER         | DESCRIPTION  | QTY. |
|----------|---------------------|--|------|
| 6        | 25031               | Bulb Vinyl-Large                                     | 4    |
| 7        | 27313               | Setting Block (4" x 3/16") x 1" with adhesive        | 4    |
| 8        | 25199               | Mini Bulb Vinyl                                      | 4    |
| 9        | 25196               | Q-Lon Foam Seal                                      | 2    |
| 10       | 25074               | #10-32 FHP Screw, 1.125"                             | 4    |
| 11       | 25026               | FH Socket Cap Screw M8 x 48 mm                       | 8    |
| 12       | 26463               | #10-32 Hex Nut                                       | 4    |
| 13       | 20535               | Savio Hinge Back up Kit                              | 4    |
| 14       | 23223, 23387, 23388 | Savio Butt Hinge Set - Panel Portion (Cl, Mill, Blk) | 4    |
| 15       | 26269               | Split Spindle - Electronic                           | 2    |
| 16       | 23205, 23972        | FSB Escutcheon/Faceplate (SS, Blk)                   | 2    |
| 17       | 26190, 26192        | FSB 1076 Lever LH (SS, Black)                        | 1    |
| 18       | 26318               | Cup-Point Set Screw M6 x 1mm                         | 2    |
| 19       | 26189, 26191        | FSB_1076 Lever RH (SS, Black)                        | 1    |
| 20       | 26265               | FSB Cylinder for Active                              | 1    |
| 21       | 26270               | Sleeve for Spindle - Electronic                      | 2    |
| 22       | 25175               | .375-16 Hex Head Cap Screw, Fully Threaded 2.25"     | 4    |
| 23       | 25176               | .375-16 Stainless Steel Hex Nut                      | 4    |
| 24       | 25025               | Back up Plate for Panel                              | 4    |
| 25       | 25024               | .375 Split Lock Washer                               | 4    |

## HARDWARE

| ITEM NO. | PART NUMBER  | DESCRIPTION  | QTY. |
|----------|--------------|--|------|
| 26       | 25023        | .375-16 Stainless Steel Hex Nut                            | 4    |
| 27       | 25662        | DPL Lock Body  | 1    |
| 28       | 25656,25657  | DPL Non-Locking Handle (SS, Blk)                           | 1    |
| 29       | 26837        | Aluminum Lock Spacer                                       | 1    |
| 30       | 24893        | 1/4"-20 Hex Nut  | 4    |
| 31       | 27055        | Shoot Bolt Cap   | 2    |
| 32       | 27227        | Shoot Bolt Guide, DPL                                      | 2    |
| 33       | 25343        | #8-32 FHP Machine Screw, 1.125"                            | 2    |
| 34       | -            | Glass  | 1    |
| 35       | 24887        | Panel Thermal Barrier                                      | 5    |
| 36       | 20247        | #8 FHP Screw, 1"   | 15   |
| 37       | 26386        | Multitronic cover plate                                    | 1    |
| 38       | 25566        | Shoot Bolt Rod Guide (Spider)                              | 3    |
| 39       | 27067        | 1/4"-20 Threaded Rod                                       | 2    |
| 40       | 27232, 27233 | Keyless Electronic Multipoint Locking System (Left, Right) | 1    |
| 41       | 25189        | Q-Lon Foam Seal (Q225T190)                                 | 2    |
| 42       | 23229        | Door Sweep 48" ADA Sill                                    | 1    |
| 43       | 25167        | Corner Block   | 4    |
| 44       | 26684        | Bottom and Top Clip Cap                                    | 4    |
| 45       | 26268        | Controller Kit   | 1    |

|   |              |
|---|--------------|
| Description<br>Active Panel B.O.M.  |              |
| File Name<br>Series 3900-T H Hinged<br>Door with Electronic Latch,<br>DPL, and Arche-duct | REV          |
| Released 7/7/2023   | SHEET 5 OF 5 |

**PROPRIETARY AND CONFIDENTIAL**

THE INFORMATION CONTAINED IN THIS DRAWING IS THE SOLE PROPERTY OF FLEETWOOD WINDOWS & DOORS.  
ANY REPRODUCTION IN PART OR AS A WHOLE WITHOUT THE WRITTEN PERMISSION OF FLEETWOOD WINDOWS & DOORS IS PROHIBITED.