

ASSEMBLY / PARTS LIST (B.O.M.)

Series: 3600-T
Type: 4L and 4R Configuration

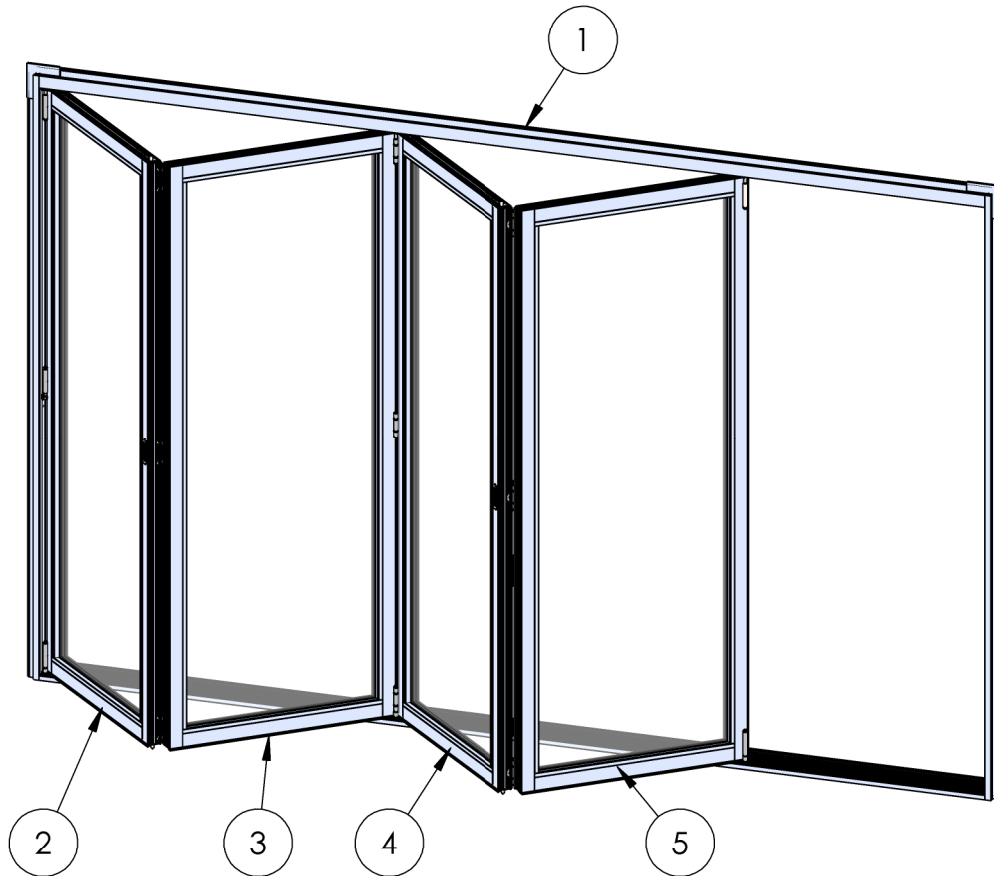
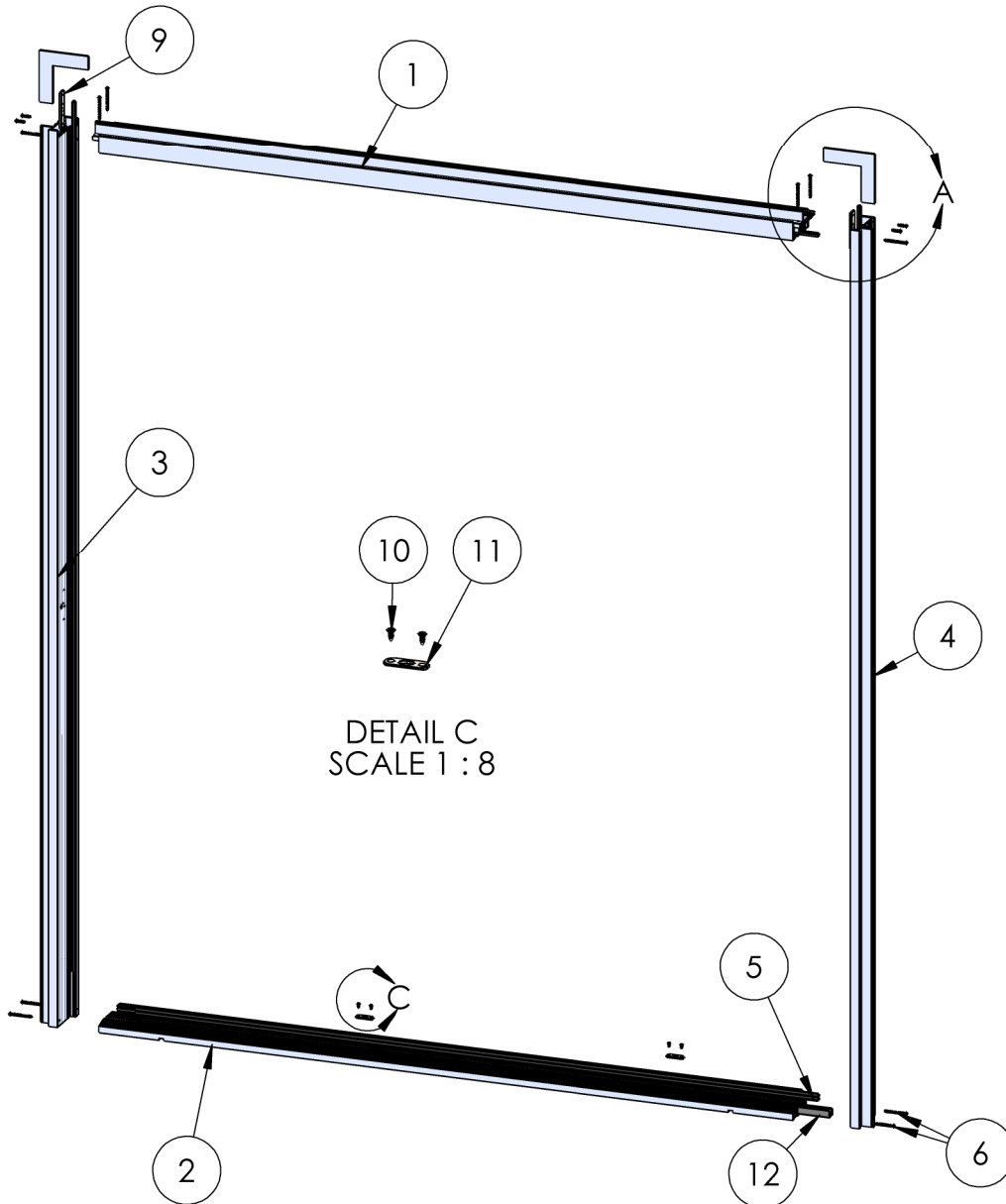


TABLE OF CONTENTS			
ITEM NO.	DESCRIPTION	QTY.	PAGE #
1	Frame Assembly	1	2
2	Panel 1 Assembly	1	3-4
3	Panel 2 Assembly	1	5-6
4	Panel 3 Assembly	1	7-8
5	Panel 4 Assembly	1	9-10

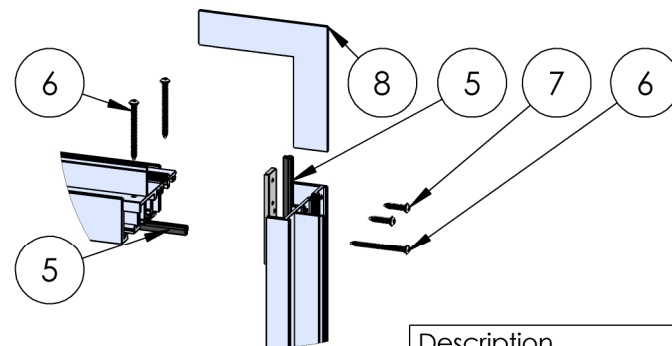
- NOTES:**
1. 4L Configuration shown
 2. Out-Swing Door shown
 3. Relative to the exterior numbering of panels is from left to right

Description Table of Contents	
File Name Series 3600-T 4L and 4R Assembly	REV A
Released 11/4/2022	SHEET 1 OF 10

ASSEMBLY / PARTS LIST (B.O.M.)



DETAIL C
SCALE 1 : 8



DETAIL A
SCALE 1 : 8

EXTRUSIONS

ITEM NO.	PART NUMBER	DESCRIPTION	QTY.
1	3601	Head	1
2	3602	Sill	1
3	3603	Left Jamb	1
4	3603	Right Jamb	1

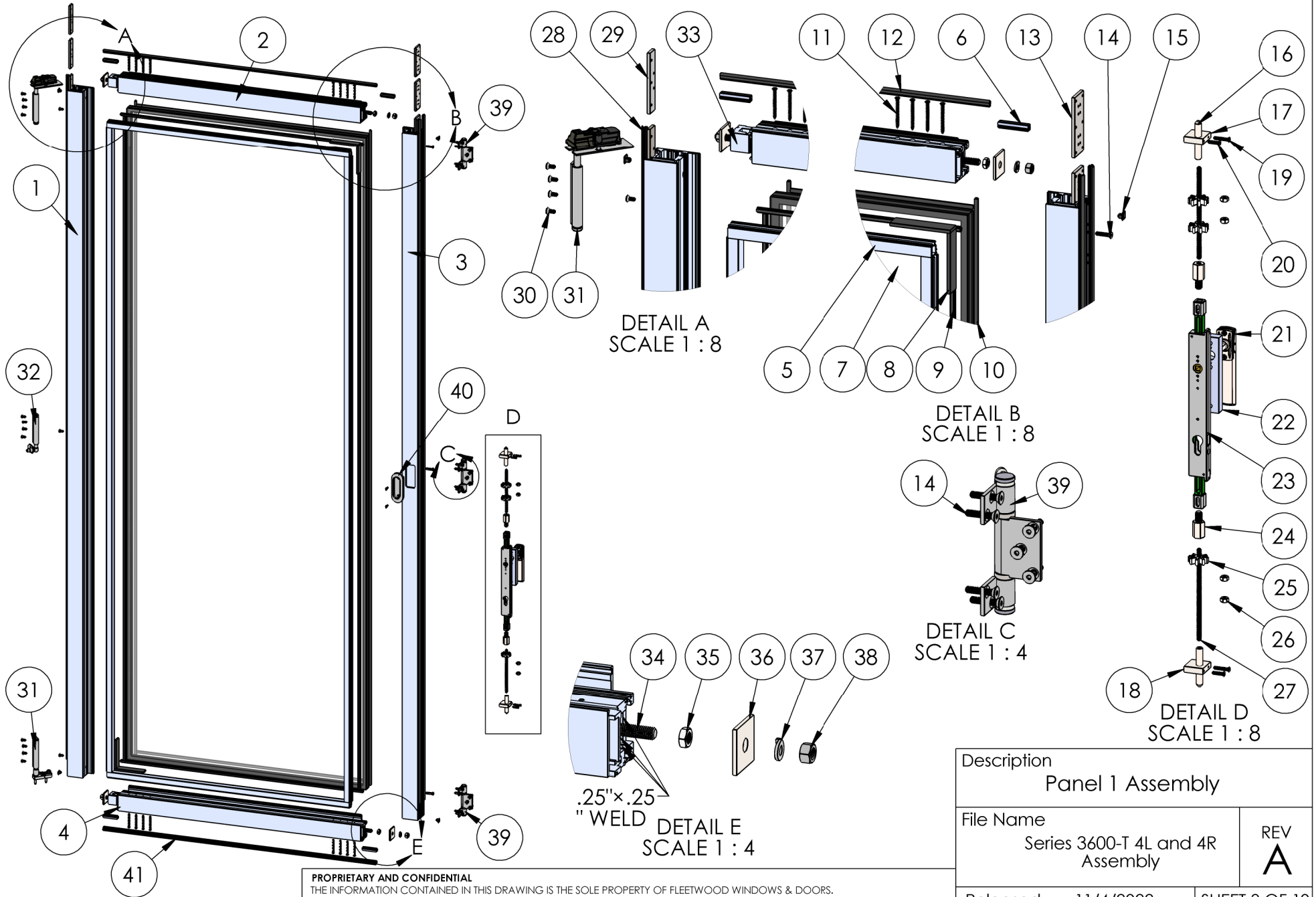
HARDWARE

ITEM NO.	PART NUMBER	DESCRIPTION	QTY.
5	25059	Q-Lon Foam Seal	5
6	25075	#10 PHP Screw, 2.5 In	10
7	20350	#10 PHP Screw, 1 in.	4
8	18629	Nail-Fin Corner (For Nail-Fin Door)	2
9	25585	Jamb Hinge Back Up Plate	2
10	20275	#10 FHP-A-UC Screw, .5 in., Clear	4
11	27321	Shoot Bolt Strike Plate	2
12	25685	Polypropylene Channel	1

PROPRIETARY AND CONFIDENTIAL
THE INFORMATION CONTAINED IN THIS DRAWING IS THE SOLE PROPERTY OF FLEETWOOD WINDOWS & DOORS.
ANY REPRODUCTION IN PART OR AS A WHOLE WITHOUT THE WRITTEN PERMISSION OF FLEETWOOD WINDOWS & DOORS IS PROHIBITED.

Description Frame Assembly/B.O.M.	
File Name Series 3600-T 4L and 4R Assembly	REV A
Released 11/4/2022	SHEET 2 OF 10

ASSEMBLY / PARTS LIST (B.O.M.)



DETAIL A
SCALE 1 : 8

DETAIL B
SCALE 1 : 8

DETAIL C
SCALE 1 : 4

DETAIL D
SCALE 1 : 8

.25" x .25"
" WELD
DETAIL E
SCALE 1 : 4

PROPRIETARY AND CONFIDENTIAL
THE INFORMATION CONTAINED IN THIS DRAWING IS THE SOLE PROPERTY OF FLEETWOOD WINDOWS & DOORS.
ANY REPRODUCTION IN PART OR AS A WHOLE WITHOUT THE WRITTEN PERMISSION OF FLEETWOOD WINDOWS & DOORS IS PROHIBITED.

Description Panel 1 Assembly	
File Name Series 3600-T 4L and 4R Assembly	REV A
Released	11/4/2022
SHEET 3 OF 10	

ASSEMBLY / PARTS LIST (B.O.M.)

Extrusions

ITEM NO.	PART NUMBER	DESCRIPTION	QTY.
1	3604	Folding Door Sash - Assembly	1
2	3604	Top Rail	1
3	3604	Right Stile	1
4	3604	Bottom Rail	1
5	3907	1" Glass Stop (Shown)	4
6	3916	Seal Clip	4

Hardware

ITEM NO.	PART NUMBER	DESCRIPTION	QTY.
7	IG Glass	Glass	1
8	27313	Setting Block 4"x3/16"x1"	4
9	25031	Bulb Vinyl-Large	4
10	25199	Mini Bulb Vinyl	4
11	20258	#8 FHP Screw, 2 in.	16
12	25058	Q-Lon Foam Seal	1
13	25586	Hinge Back Up Plate	3
14	25488,25489	#10-32 FH Torx Screw, 1", T25 (S.S., Black)	24
15	26684	Bottom and Top Clip Cap	4
16	27055	Shoot Bolt Cap	2
17	27083	Top Shoot Bolt Guide	1
18	27084	Bottom Shoot Bolt Guide	1
19	26916, 26917	#8-32 Torx FH Screw, 1.0 in. (S.S., Black)	2
20	26914, 26915	#8-32 Torx FH Screw, 0.75 in. (S.S., Black)	2
21	25656,25657	DPL Non-Locking Handle (S.S., Black)	1
22	26837	Aluminum Lock Spacer	1

Hardware

ITEM NO.	PART NUMBER	DESCRIPTION	QTY.
23	25662	DPL Lock Body	1
24	27066	M10 to 1/4-20 Thread Adapter	2
25	25566	Shoot Bolt Rod Guide	3
26	24893	1/4-20 Hex Nut	4
27	27067	1/4-20 Threaded Rod	2
28	25059	Q-Lon Foam Seal	3
29	25582	Hinge Back Up Plate	3
30	25486,25487	#10-32 FH Torx Screw, 0.5", T25 (SS, Black)	15
31	25638,25639	Pivot Set (S.S., Black)	1
32	25640,25641	Jamb Pivot (S.S., Black)	1
33	25571	Corner Block	4
34	25668	.375-16 Hex Head Cap Screw, 1.625"	4
35	25176	.375-16 Stainless Steel Hex Nut, .5625 Wt, .218 Ht	4
36	25573	Back up Plate Corner Block	4
37	25024	.375 Split Lock Washer	4
38	25023	.375-16 Stainless Steel Hex Nut	4
39	25650, 25651, 25652, 25653	Offset Hinge Handle Set (S.S., Black) Hinge Set (in-swing only) (S.S., Black)	2
40	25654	Flush Pull with screws (in-swing only)	1
41	25683	Foam Seal	1

Description

Panel 1 B.O.M.

File Name

Series 3600-T 4L and 4R
Assembly

REV
A

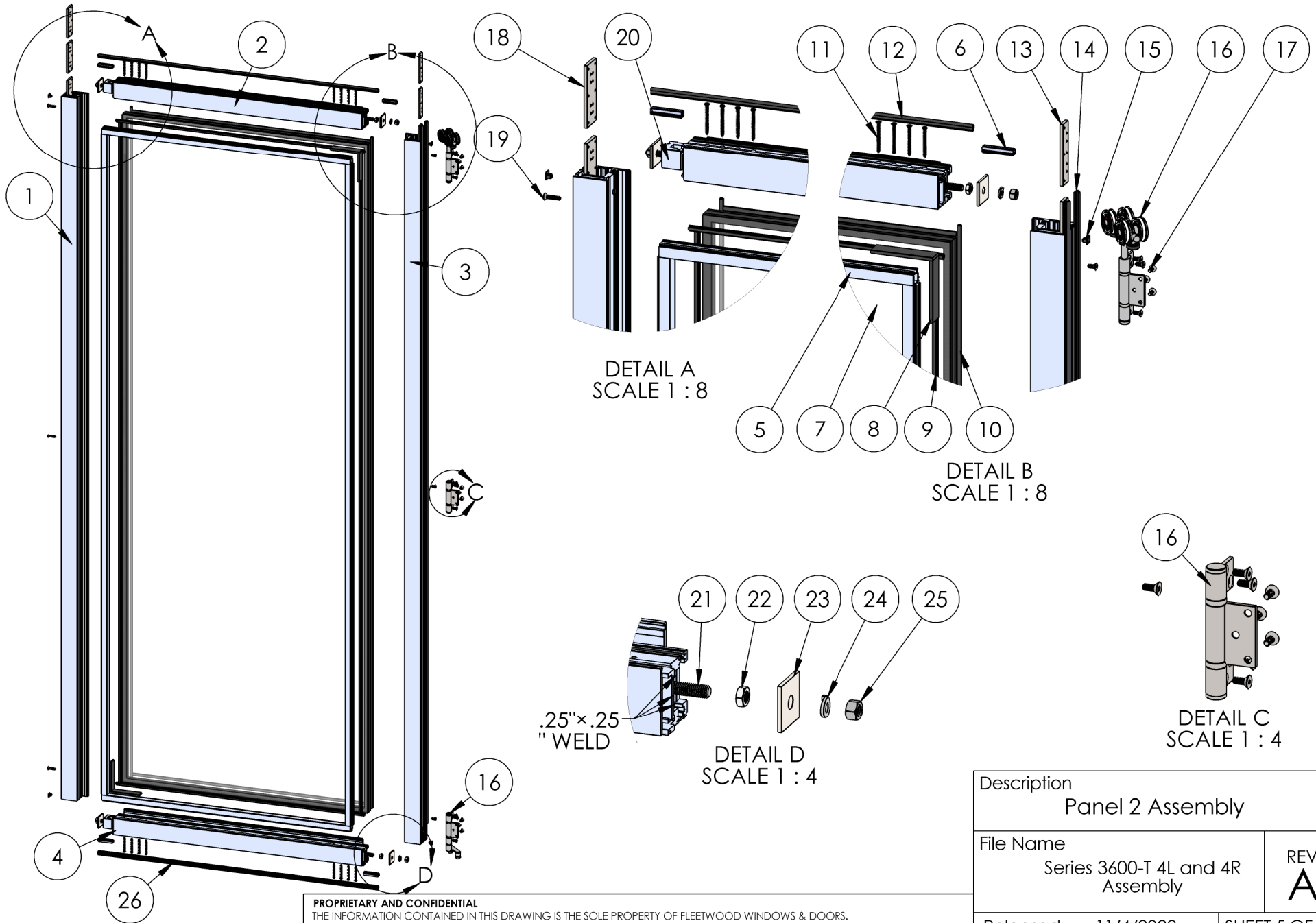
PROPRIETARY AND CONFIDENTIAL

THE INFORMATION CONTAINED IN THIS DRAWING IS THE SOLE PROPERTY OF FLEETWOOD WINDOWS & DOORS.
ANY REPRODUCTION IN PART OR AS A WHOLE WITHOUT THE WRITTEN PERMISSION OF FLEETWOOD WINDOWS & DOORS IS PROHIBITED.

Released 11/4/2022

SHEET 4 OF 10

ASSEMBLY / PARTS LIST (B.O.M.)



PROPRIETARY AND CONFIDENTIAL
THE INFORMATION CONTAINED IN THIS DRAWING IS THE SOLE PROPERTY OF FLEETWOOD WINDOWS & DOORS.
ANY REPRODUCTION IN PART OR AS A WHOLE WITHOUT THE WRITTEN PERMISSION OF FLEETWOOD WINDOWS & DOORS IS PROHIBITED.

Description Panel 2 Assembly	
File Name Series 3600-T 4L and 4R Assembly	REV A
Released 11/4/2022	SHEET 5 OF 10

ASSEMBLY / PARTS LIST (B.O.M.)

Extrusions

ITEM NO.	PART NUMBER	DESCRIPTION	QTY.
1	3604	Left Stile	1
2	3604	Top Rail	1
3	3604	Right Stile	1
4	3604	Bottom Rail	1
5	3907	1" Glass Stop (Shown)	4
6	3916	Seal Clip	4

Hardware

ITEM NO.	PART NUMBER	DESCRIPTION	QTY.
7	IG Glass	Glass	1
8	27313	Setting Block 4"x3/16"x1"	4
9	25031	Bulb Vinyl-Large	4
10	25199	Mini Bulb Vinyl	4
11	20258	#8 FHP Screw, 2 in.	16
12	25058	Q-Lon Foam Seal	1
13	25584	Hinge Back Up Plate Int. Carrier	3
14	25059	Q-Lon Foam Seal	2
15	26684	Bottom and Top Clip Cap	4
16	25644,25645	Intermediate Hanger Set (S.S., Black)	1
17	25486,25487	#10-32 FH Torx Screw, 0.5", T25 (SS, Black)	24

Hardware

ITEM NO.	PART NUMBER	DESCRIPTION	QTY.
18	25586	Hinge Back Up Plate	3
19	25488,25489	#10-32 FH Torx Screw, 1", T25 (S.S., Black)	3
20	25571	Corner Block	4
21	25668	.375-16 Hex Head Cap Screw, 1.625"	4
22	25176	.375-16 Stainless Steel Hex Nut, .5625 Wt, .218 Ht	4
23	25573	Back up Plate Corner Block	4
24	25024	.375 Split Lock Washer	4
25	25023	.375-16 Stainless Steel Hex Nut	4
26	25683	Foam Seal	1
16	25646,25647	Hinge Handle Top and Bottom (part of a set)	1
16	25644	Intermediate Guide (part of a set)	1

Description

Panel 2 B.O.M.

File Name

Series 3600-T 4L and 4R
Assembly

REV
A

Released

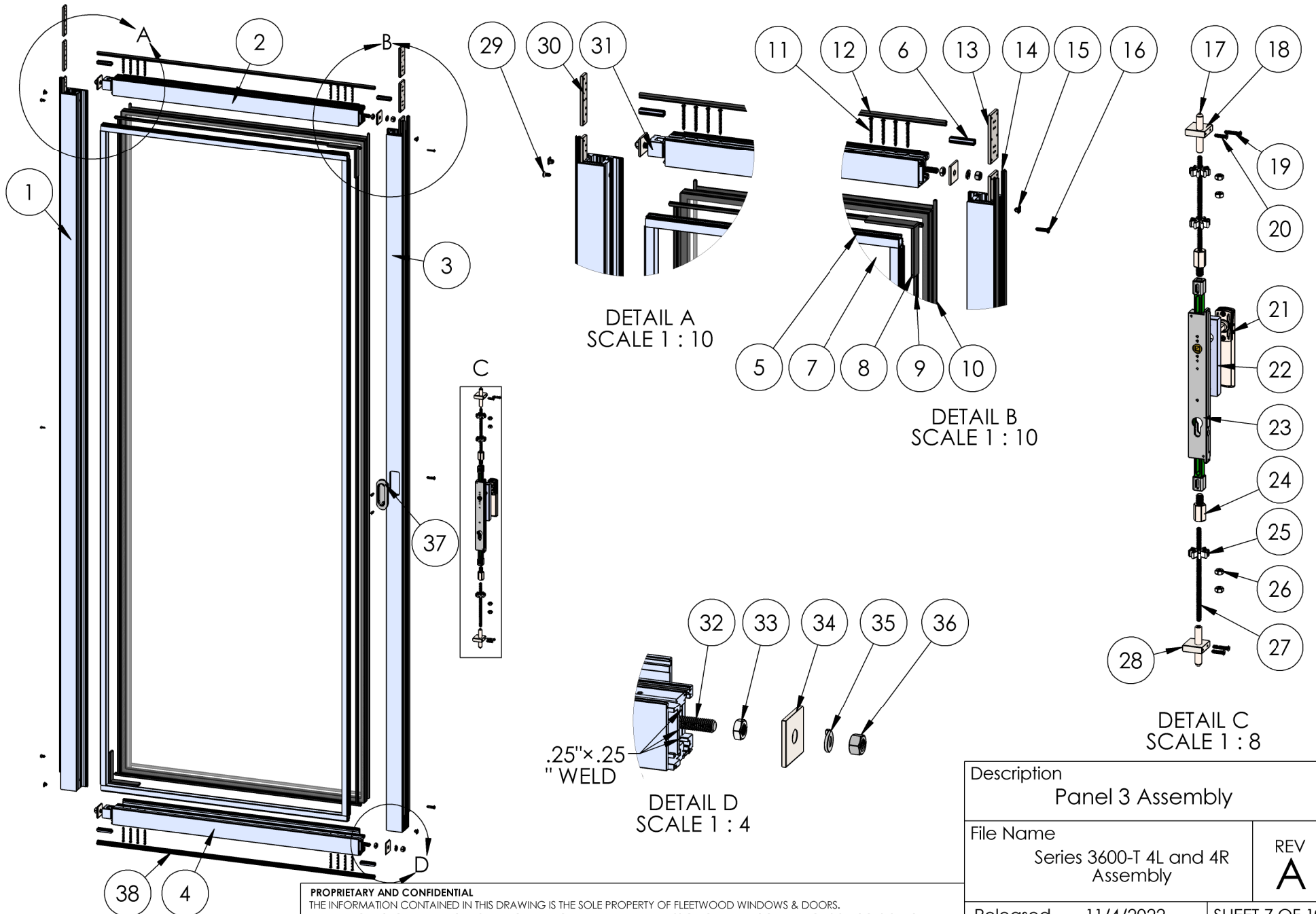
11/4/2022

SHEET 6 OF 10

PROPRIETARY AND CONFIDENTIAL

THE INFORMATION CONTAINED IN THIS DRAWING IS THE SOLE PROPERTY OF FLEETWOOD WINDOWS & DOORS.
ANY REPRODUCTION IN PART OR AS A WHOLE WITHOUT THE WRITTEN PERMISSION OF FLEETWOOD WINDOWS & DOORS IS PROHIBITED.

ASSEMBLY / PARTS LIST (B.O.M.)



PROPRIETARY AND CONFIDENTIAL
THE INFORMATION CONTAINED IN THIS DRAWING IS THE SOLE PROPERTY OF FLEETWOOD WINDOWS & DOORS.
ANY REPRODUCTION IN PART OR AS A WHOLE WITHOUT THE WRITTEN PERMISSION OF FLEETWOOD WINDOWS & DOORS IS PROHIBITED.

Description Panel 3 Assembly	
File Name Series 3600-T 4L and 4R Assembly	REV A
Released 11/4/2022	SHEET 7 OF 10

ASSEMBLY / PARTS LIST (B.O.M.)

Extrusions

ITEM NO.	PART NUMBER	DESCRIPTION	QTY.
1	3604	Left Stile	1
2	3604	Top Rail	1
3	3604	Right Stile	1
4	3604	Bottom Rail	1
5	3907	1" Glass Stop (Shown)	4
6	3916	Seal Clip	4

Hardware

ITEM NO.	PART NUMBER	DESCRIPTION	QTY.
7	IG Glass	Glass	1
8	27313	Setting Block	4
9	25031	Bulb Vinyl-Large	4
10	25199	Mini Bulb Vinyl	4
11	20258	#8 FHP Screw, 2"	16
12	25058	Q-Lon Foam Seal	1
13	25586	Hinge Back Up Plate	3
14	25059	Q-Lon Foam Seal	3
15	26684	Bottom and Top Clip Cap	4
16	25488,25489	#10-32 FH Torx Screw, 1", T25 (S.S., Black)	3
17	27055	Shoot Bolt Cap	2
18	27083	Top Shoot Bolt Guide	1
19	26916, 26917	#8-32 Torx FH Screw, 1.0 in. (S.S., Black)	2
20	26914, 26915	#8-32 Torx FH Screw, 0.75 in. (S.S., Black)	2
21	25656,25657	DPL Non-Locking Handle (S.S., Black)	1
22	26837	Aluminum Lock Spacer	1
23	25662	DPL Lock Body	1
24	27066	M10 to 1/4-20 Thread Adapter	2
25	25566	Shoot Bolt Rod Guide	3
26	24893	1/4-20 Hex Nut	4
27	27067	1/4-20 Threaded Rod	2
28	27084	Bottom Shoot Bolt Guide	1

Hardware

ITEM NO.	PART NUMBER	DESCRIPTION	QTY.
29	25486,25487	#10-32 FH Torx Screw, 0.5", T25 (SS, Black)	3
30	25584	Hinge Back Up Plate Int. Carrier	3
31	25571	Corner Block	4
32	25668	.375-16 Hex Head Cap Screw, 1.625"	4
33	25176	.375-16 Stainless Steel Hex Nut, .5625 Wt, .218 Ht	4
34	25573	Back up Plate Corner Block	4
35	25024	.375 Split Lock Washer	4
36	25023	.375-16 Stainless Steel Hex Nut	4
37	25654	Flush Pull with screws (in-swing only)	1
38	25683	Foam Seal	1

Description

Panel 3 B.O.M.

File Name

Series 3600-T 4L and 4R
Assembly

REV
A

Released

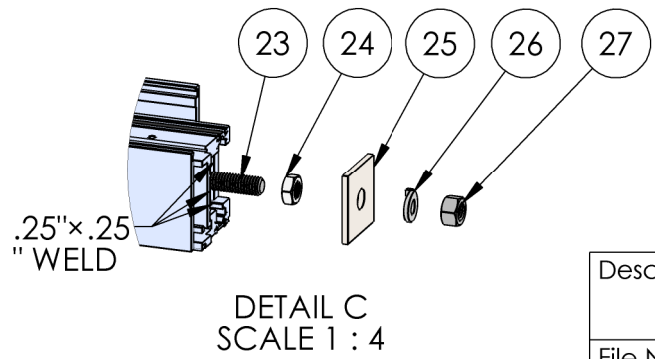
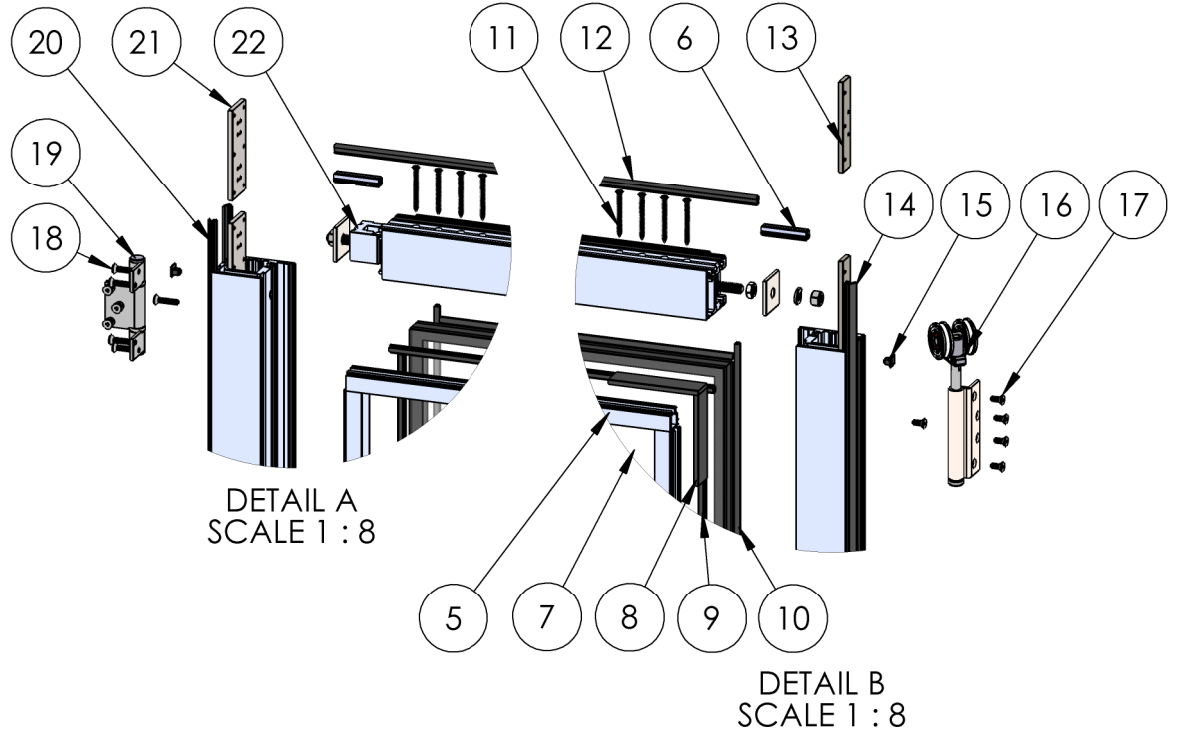
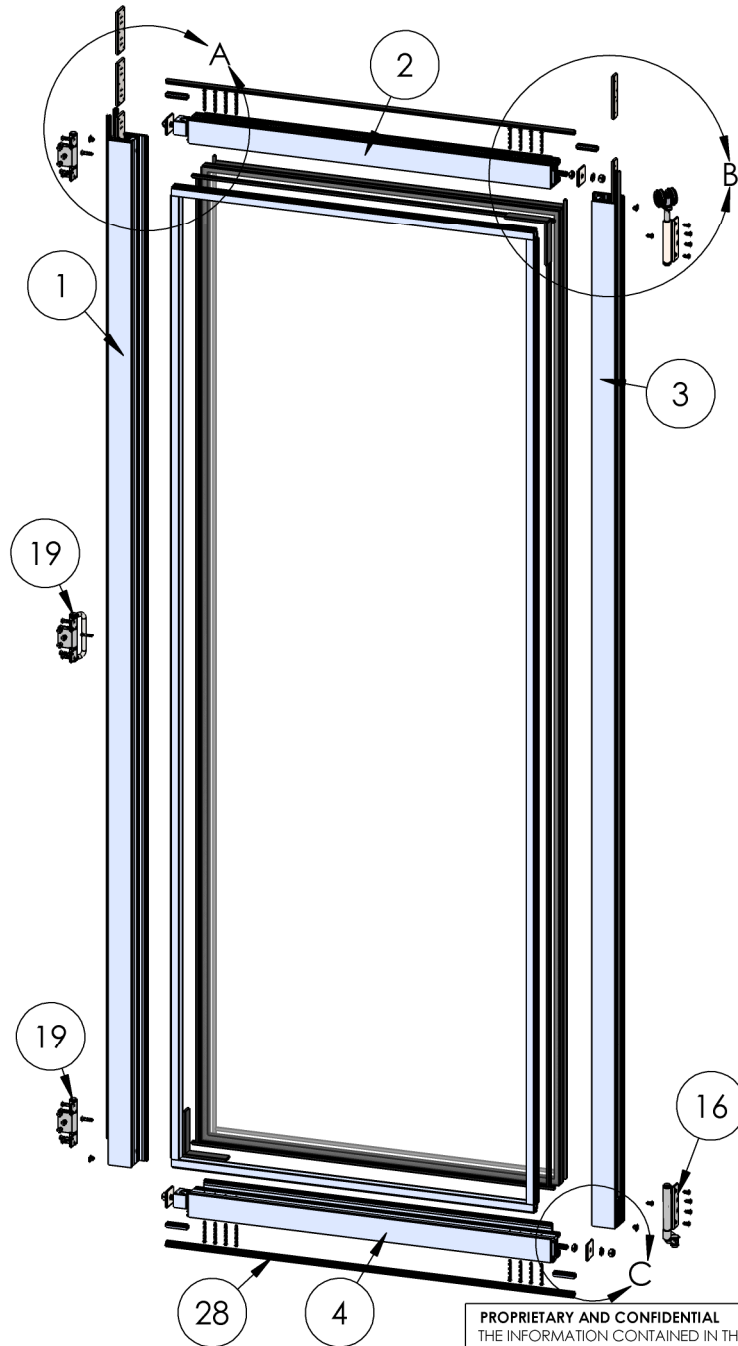
11/4/2022

SHEET 8 OF 10

PROPRIETARY AND CONFIDENTIAL

THE INFORMATION CONTAINED IN THIS DRAWING IS THE SOLE PROPERTY OF FLEETWOOD WINDOWS & DOORS.
ANY REPRODUCTION IN PART OR AS A WHOLE WITHOUT THE WRITTEN PERMISSION OF FLEETWOOD WINDOWS & DOORS IS PROHIBITED.

ASSEMBLY / PARTS LIST (B.O.M.)



PROPRIETARY AND CONFIDENTIAL
THE INFORMATION CONTAINED IN THIS DRAWING IS THE SOLE PROPERTY OF FLEETWOOD WINDOWS & DOORS.
ANY REPRODUCTION IN PART OR AS A WHOLE WITHOUT THE WRITTEN PERMISSION OF FLEETWOOD WINDOWS & DOORS IS PROHIBITED.

Description Panel 4 Assembly	
File Name Series 3600-T 4L and 4R Assembly	REV A
Released 11/4/2022	SHEET 9 OF 10

ASSEMBLY / PARTS LIST (B.O.M.)

Extrusions

ITEM NO.	PART NUMBER	DESCRIPTION	QTY.
1	3604	Left Stile	1
2	3604	Top Rail	1
3	3604	Right Stile	1
4	3604	Bottom Rail	1
5	3907	1" Glass Stop (Shown)	4
6	3916	Seal Clip	4

Hardware

ITEM NO.	PART NUMBER	DESCRIPTION	QTY.
7	IG Glass	Glass	1
8	27313	Setting Block	4
9	25031	Bulb Vinyl-Large	4
10	25199	Mini Bulb Vinyl	4
11	20258	#8 FHP Screw, 2 in.	16
12	25058	Q-Lon Foam Seal	1
13	25582	Hinge Back Up Plate	2
14	25929	Q-Lon Foam Seal	1
15	26684	Bottom and Top Clip Cap	4
16	25642,25643	End Hanger Set (S.S., Black)	1
17	25486,25487	#10-32 FH Torx Screw, 0.5", T25 (SS, Black)	10
18	25488,25489	#10-32 FH Torx Screw, 1", T25 (S.S., Black)	24
19	25652,25653, 25650,25651	Offset Hinge Handle Set (S.S., Black) Offset Hinge Set (in-swing only) (S.S., Black)	2
20	25059	Q-Lon Foam Seal	2
21	25586	Hinge Back Up Plate	3
22	25571	Corner Block	4
23	25668	.375-16 Hex Head Cap Screw, 1.625"	4
24	25176	.375-16 Stainless Steel Hex Nut, .5625 Wt, .218 Ht	4
25	25573	Back up Plate Corner Block	4
26	25024	.375 Split Lock Washer	4

Hardware

ITEM NO.	PART NUMBER	DESCRIPTION	QTY.
27	25023	.375-16 Stainless Steel Hex Nut	4
28	25683	Foam Seal	1

Description

Panel 4 B.O.M.

File Name

Series 3600-T 4L and 4R
Assembly

REV
A

Released

11/4/2022

SHEET 10 OF 10

PROPRIETARY AND CONFIDENTIAL

THE INFORMATION CONTAINED IN THIS DRAWING IS THE SOLE PROPERTY OF FLEETWOOD WINDOWS & DOORS.
ANY REPRODUCTION IN PART OR AS A WHOLE WITHOUT THE WRITTEN PERMISSION OF FLEETWOOD WINDOWS & DOORS IS PROHIBITED.