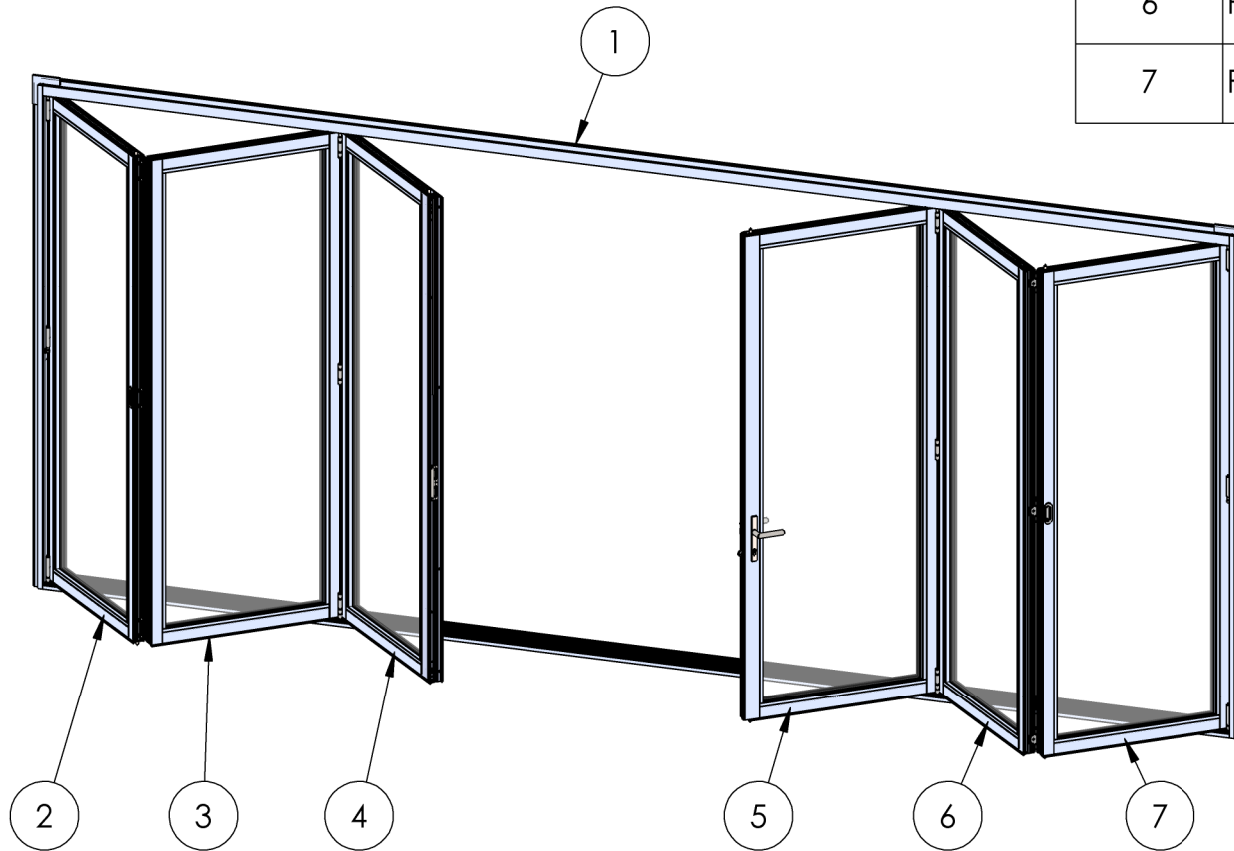


ASSEMBLY / PARTS LIST (B.O.M.)

Series: 3600-T
Type: 3L3R Configuration

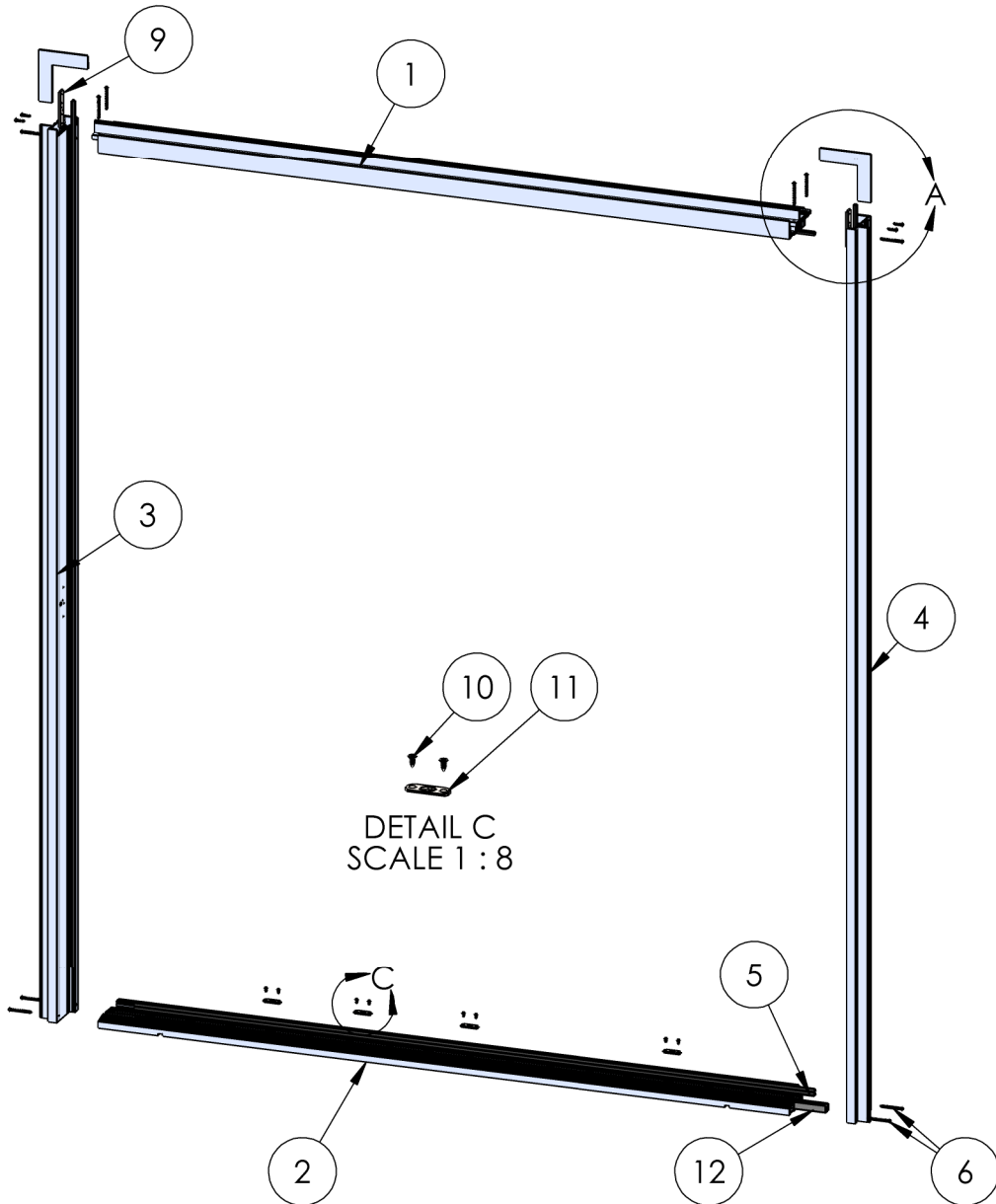
TABLE OF CONTENTS			
ITEM NO.	DESCRIPTION	QTY.	PAGE #
1	Frame Assembly	1	2
2	Panel 1 Assembly	1	3-4
3	Panel 2 Assembly	1	5-6
4	Panel 3 Assembly	1	7-8
5	Panel 4 Assembly	1	9-10
6	Panel 5 Assembly	1	See Note
7	Panel 6 Assembly	1	See Note



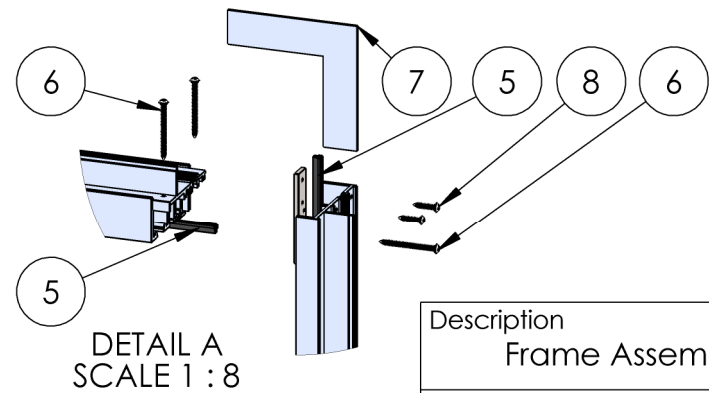
- NOTES:**
- 3L3R Configuration shown
 - Out-Swing Door shown
 - Relative to the exterior, numbering of panels is from left to right.
 - Panels 5 and 6 components are same as Panels 1 and 2.
 - Flush pulls on in-swing only.

Description Table of Contents	
File Name Series 3600-T 3L3R Assembly	REV A
Released 11/4/2022	SHEET 1 OF 10

ASSEMBLY / PARTS LIST (B.O.M.)



EXTRUSIONS			
ITEM NO.	PART NUMBER	DESCRIPTION	QTY.
1	3601	Head	1
2	3602	Sill	1
3	3603	Left Jamb	1
4	3603	Right Jamb	1
HARDWARE			
ITEM NO.	PART NUMBER	DESCRIPTION	QTY.
5	25059	Q-Lon Foam Seal	5
6	25075	#10 PHP Screw, 2.5 In	10
7	18629	Nail-Fin Corner (For Nail-Fin Door)	2
8	20350	#10 PHP Screw, 1 in.	4
9	25585	Jamb Hinge Back Up Plate	2
10	20275	#10 FHP-A-UC Screw, .5 in., Clear	8
11	27321	Shoot Bolt Strike Plate	4
12	25685	Polypropylene Channel	1



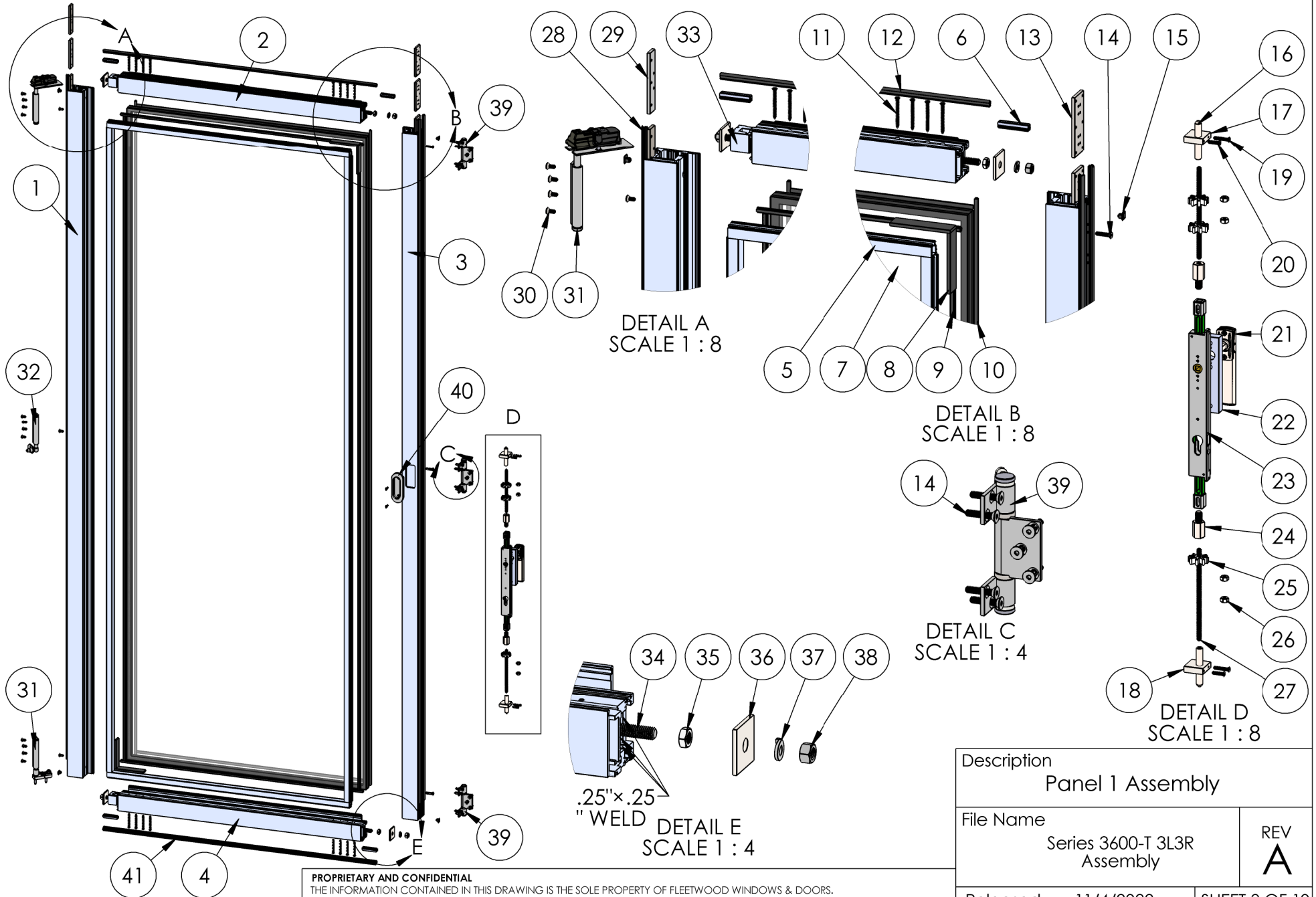
DETAIL C
SCALE 1 : 8

DETAIL A
SCALE 1 : 8

Description Frame Assembly/B.O.M.	
File Name Series 3600-T 3L3R Assembly	REV A
Released 11/4/2022	SHEET 2 OF 10

PROPRIETARY AND CONFIDENTIAL
THE INFORMATION CONTAINED IN THIS DRAWING IS THE SOLE PROPERTY OF FLEETWOOD WINDOWS & DOORS.
ANY REPRODUCTION IN PART OR AS A WHOLE WITHOUT THE WRITTEN PERMISSION OF FLEETWOOD WINDOWS & DOORS IS PROHIBITED.

ASSEMBLY / PARTS LIST (B.O.M.)



PROPRIETARY AND CONFIDENTIAL
THE INFORMATION CONTAINED IN THIS DRAWING IS THE SOLE PROPERTY OF FLEETWOOD WINDOWS & DOORS.
ANY REPRODUCTION IN PART OR AS A WHOLE WITHOUT THE WRITTEN PERMISSION OF FLEETWOOD WINDOWS & DOORS IS PROHIBITED.

Description	
Panel 1 Assembly	
File Name	REV
Series 3600-T 3L3R Assembly	A
Released	SHEET 3 OF 10
11/4/2022	

ASSEMBLY / PARTS LIST (B.O.M.)

Extrusions

ITEM NO.	PART NUMBER	DESCRIPTION	QTY.
1	3604	Folding Door Sash - Assembly	1
2	3604	Top Rail	1
3	3604	Right Stile	1
4	3604	Bottom Rail	1
5	3907	1" Glass Stop (Shown)	4
6	3916	Seal Clip	4

Hardware

ITEM NO.	PART NUMBER	DESCRIPTION	QTY.
7	IG Glass	Glass	1
8	27313	Setting Block 4"x3/16"x1"	4
9	25031	Bulb Vinyl-Large	4
10	25199	Mini Bulb Vinyl	4
11	20258	#8 FHP Screw, 2 in.	16
12	25058	Q-Lon Foam Seal	1
13	25586	Hinge Back Up Plate	3
14	25488,25489	#10-32 FH Torx Screw, 1", T25 (S.S., Black)	24
15	26684	Bottom and Top Clip Cap	4
16	27055	Shoot Bolt Cap	2
17	27083	Top Shoot Bolt Guide	1
18	27084	Bottom Shoot Bolt Guide	1
19	26916, 26917	#8-32 Torx FH Screw, 1.0 in. (S.S., Black)	2
20	26914, 26915	#8-32 Torx FH Screw, 0.75 in. (S.S., Black)	2
21	25656,25657	DPL Non-Locking Handle (S.S., Black)	1
22	26837	Aluminum Lock Spacer	1

Hardware

ITEM NO.	PART NUMBER	DESCRIPTION	QTY.
23	25662	DPL Lock Body	1
24	27066	M10 to 1/4-20 Thread Adapter	2
25	25566	Shoot Bolt Rod Guide	3
26	24893	1/4-20 Hex Nut	4
27	27067	1/4-20 Threaded Rod	2
28	25059	Q-Lon Foam Seal	3
29	25582	Hinge Back Up Plate	3
30	25486,25487	#10-32 FH Torx Screw, 0.5", T25 (SS, Black)	15
31	25638,25639	Pivot Set (S.S., Black)	1
32	25640,25641	Jamb Pivot (S.S., Black)	1
33	25571	Corner Block	4
34	25668	.375-16 Hex Head Cap Screw, 1.625"	4
35	25176	.375-16 Stainless Steel Hex Nut, .5625 Wt, .218 Ht	4
36	25573	Back up Plate Corner Block	4
37	25024	.375 Split Lock Washer	4
38	25023	.375-16 Stainless Steel Hex Nut	4
39	25650, 25651, 25652, 25653	Offset Hinge Handle Set (S.S., Black) Hinge Set (in-swing only) (S.S., Black)	2
40	25654	Flush Pull with screws (in-swing only)	1
41	25683	Foam Seal	1

Description

Panel 1 B.O.M.

File Name

Series 3600-T 3L3R
Assembly

REV
A

Released

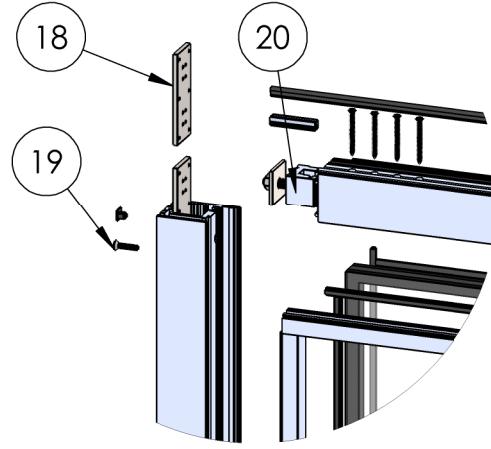
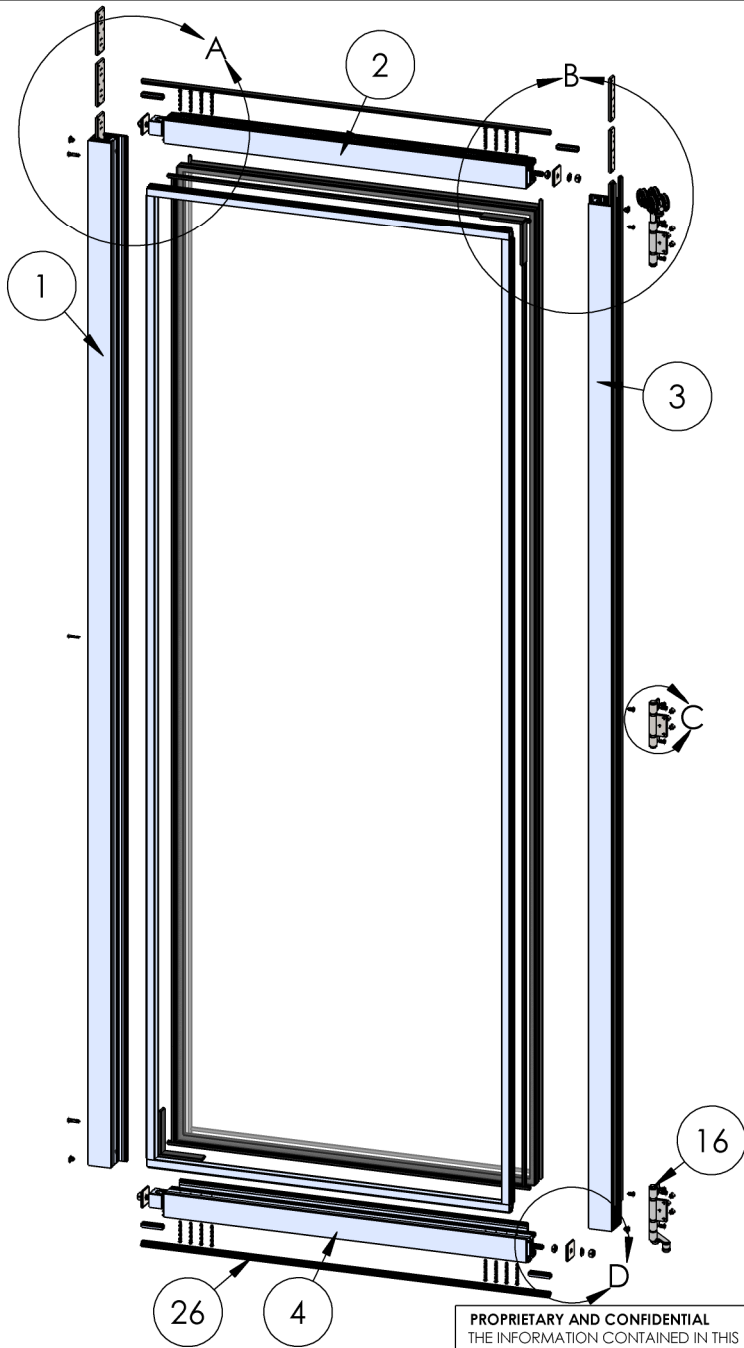
11/4/2022

SHEET 4 OF 10

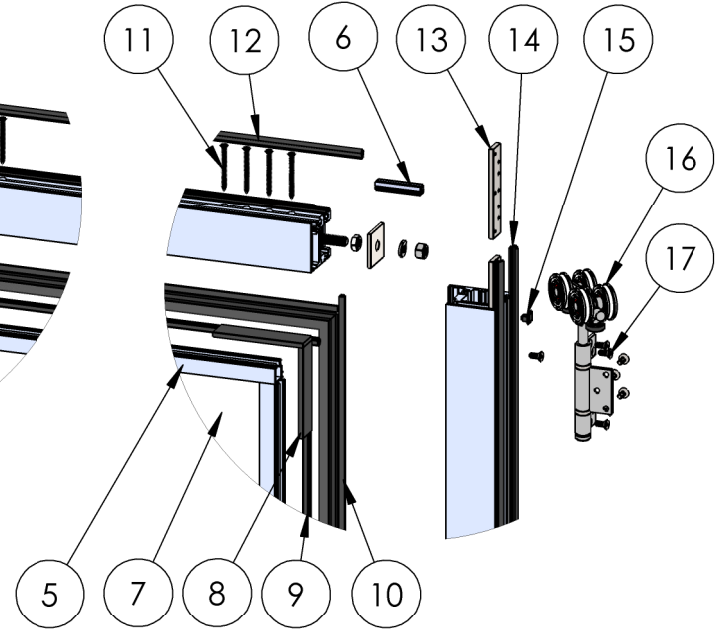
PROPRIETARY AND CONFIDENTIAL

THE INFORMATION CONTAINED IN THIS DRAWING IS THE SOLE PROPERTY OF FLEETWOOD WINDOWS & DOORS.
ANY REPRODUCTION IN PART OR AS A WHOLE WITHOUT THE WRITTEN PERMISSION OF FLEETWOOD WINDOWS & DOORS IS PROHIBITED.

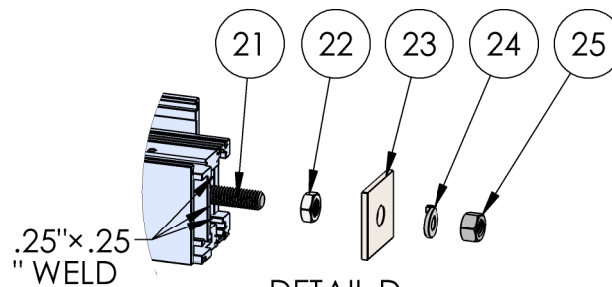
ASSEMBLY / PARTS LIST (B.O.M.)



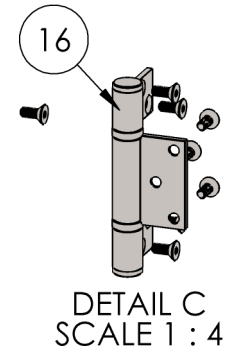
DETAIL A
SCALE 1 : 8



DETAIL B
SCALE 1 : 8



DETAIL D
SCALE 1 : 4



DETAIL C
SCALE 1 : 4

PROPRIETARY AND CONFIDENTIAL
THE INFORMATION CONTAINED IN THIS DRAWING IS THE SOLE PROPERTY OF FLEETWOOD WINDOWS & DOORS.
ANY REPRODUCTION IN PART OR AS A WHOLE WITHOUT THE WRITTEN PERMISSION OF FLEETWOOD WINDOWS & DOORS IS PROHIBITED.

Description Panel 2 Assembly	
File Name Series 3600-T 3L3R Assembly	REV A
Released 11/4/2022	SHEET 5 OF 10

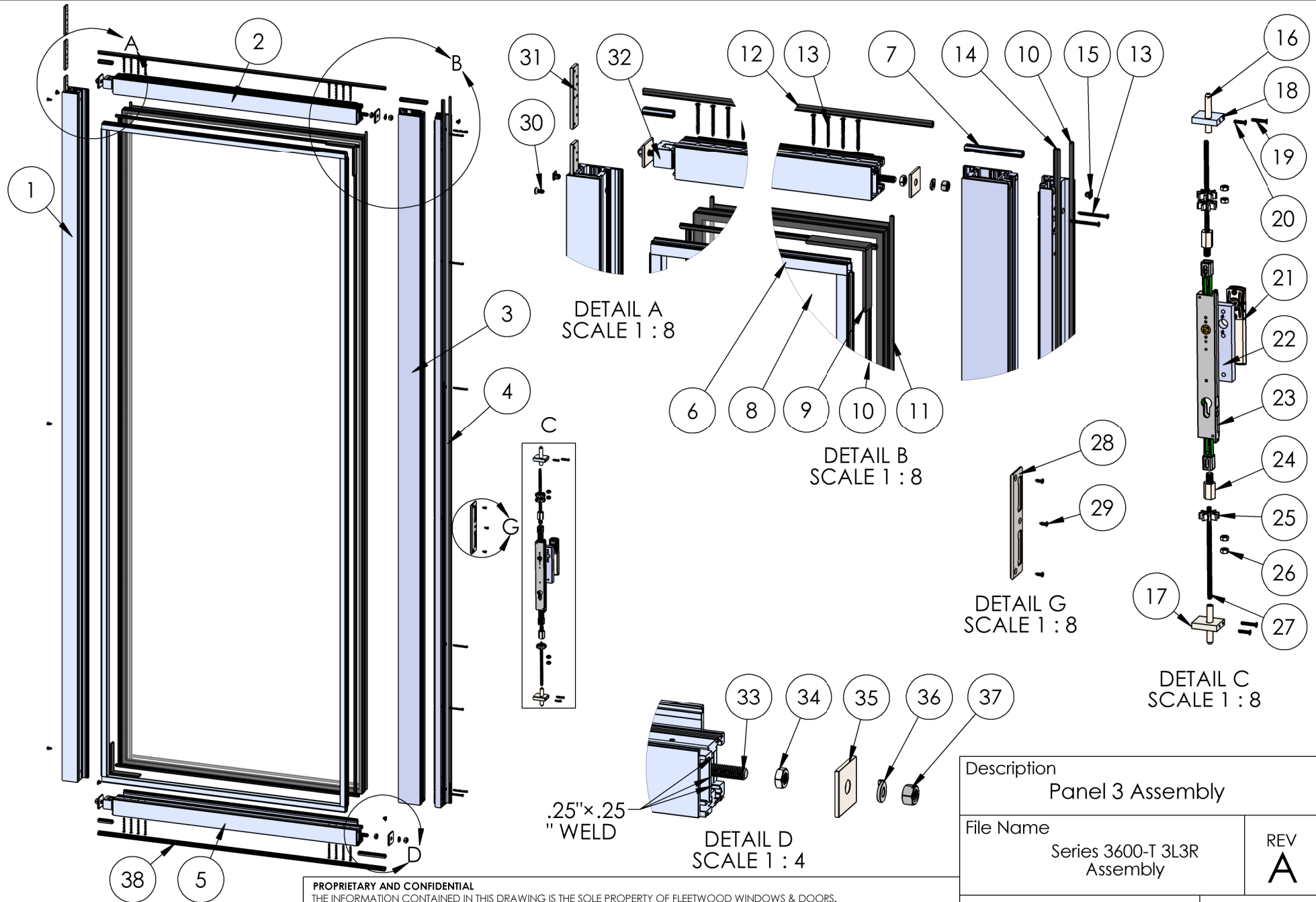
ASSEMBLY / PARTS LIST (B.O.M.)

Extrusions			
ITEM NO.	PART NUMBER	DESCRIPTION	QTY.
1	3604	Left Stile	1
2	3604	Top Rail	1
3	3604	Right Stile	1
4	3604	Bottom Rail	1
5	3907	1" Glass Stop (Shown)	4
6	3916	Seal Clip	4
Hardware			
ITEM NO.	PART NUMBER	DESCRIPTION	QTY.
7	IG Glass	Glass	1
8	27313	Setting Block 4"x3/16"x1"	4
9	25031	Bulb Vinyl-Large	4
10	25199	Mini Bulb Vinyl	4
11	20258	#8 FHP Screw, 2 in.	16
12	25058	Q-Lon Foam Seal	1
13	25584	Hinge Back Up Plate Int. Carrier	3
14	25059	Q-Lon Foam Seal	2
15	26684	Bottom and Top Clip Cap	4
16	25644,25645	Intermediate Hanger Set (S.S., Black)	1
17	25486,25487	#10-32 FH Torx Screw, 0.5", T25 (SS, Black)	24

Hardware			
ITEM NO.	PART NUMBER	DESCRIPTION	QTY.
18	25586	Hinge Back Up Plate	3
19	25488,25489	#10-32 FH Torx Screw, 1", T25 (S.S., Black)	3
20	25571	Corner Block	4
21	25668	.375-16 Hex Head Cap Screw, 1.625"	4
22	25176	.375-16 Stainless Steel Hex Nut, .5625 Wt, .218 Ht	4
23	25573	Back up Plate Corner Block	4
24	25024	.375 Split Lock Washer	4
25	25023	.375-16 Stainless Steel Hex Nut	4
26	25683	Foam Seal	1

Description Panel 2 B.O.M.	
File Name Series 3600-T 3L3R Assembly	REV A
Released 11/4/2022	SHEET 6 OF 10

ASSEMBLY / PARTS LIST (B.O.M.)



PROPRIETARY AND CONFIDENTIAL
THE INFORMATION CONTAINED IN THIS DRAWING IS THE SOLE PROPERTY OF FLEETWOOD WINDOWS & DOORS.
ANY REPRODUCTION IN PART OR AS A WHOLE WITHOUT THE WRITTEN PERMISSION OF FLEETWOOD WINDOWS & DOORS IS PROHIBITED.

Description Panel 3 Assembly	
File Name Series 3600-T 3L3R Assembly	REV A
Released	11/4/2022
SHEET 7 OF 10	

ASSEMBLY / PARTS LIST (B.O.M.)

Extrusions

ITEM NO.	PART NUMBER	DESCRIPTION	QTY.
1	3604	Left Stile	1
2	3604	Top Rail	1
3	3205	Lock Stile	1
4	3206	Astragal	1
5	3604	Bottom Rail	1
6	3907	1" Glass Stop (Shown)	4
7	3916	Seal Clip	4

Hardware

ITEM NO.	PART NUMBER	DESCRIPTION	QTY.
8	IG Glass	Glass	1
9	27313	Setting Block 4"x3/16"x1"	4
10	25031	Bulb Vinyl-Large	4
11	25199	Mini Bulb Vinyl	5
12	25058	Q-Lon Foam Seal (at head and astragal)	2
13	20258	#8 FHP Screw, 2"	24
14	25058	Q-Lon Foam Seal (.375 x 190)	1
15	26684	Bottom and Top Clip Cap	4
16	27055	Shoot Bolt Cap	2
17	27086	Shoot Bolt Guide- Bottom Swinging	1
18	27085	Top Shoot Bolt Guide	1
19	26916, 26917	#8-32 Torx FH Screw, 1.0 in. (S.S., Black)	2
20	26914, 26915	#8-32 Torx FH Screw, 0.75 in. (S.S., Black)	2
21	25656, 25657	DPL Non-Locking Handle (S.S., Black)	1
23	25662	DPL Lock Body	1
24	27066	M10 to 1/4-20 Thread Adapter	2
25	25566	Shoot Bolt Rod Guide	3
26	24893	1/4-20 Hex Nut	4
27	27067	1/4-20 Threaded Rod	2

Hardware

ITEM NO.	PART NUMBER	DESCRIPTION	QTY.
28	24993	Latch-Deadbolt Strike Plate	1
29	20240	#8 FHP-A-UC, 1/2", SS, Clear	3
30	25486, 25487	#10-32 FH Torx Screw, 0.5", T25 (SS, Black)	3
31	25584	Hinge Back Up Plate Int. Carrier	3
32	25571	Corner Block	4
33	25668	.375-16 Hex Head Cap Screw, 1.625"	4
34	25176	.375-16 Stainless Steel Hex Nut, .5625 Wt, .218 Ht	4
35	25573	Back up Plate Corner Block	4
36	25024	.375 Split Lock Washer	4
37	25023	.375-16 Stainless Steel Hex Nut	4
38	25683	Foam Seal	1

Description

Panel 3 B.O.M.

File Name

Series 3600-T 3L3R
Assembly

REV
A

Released

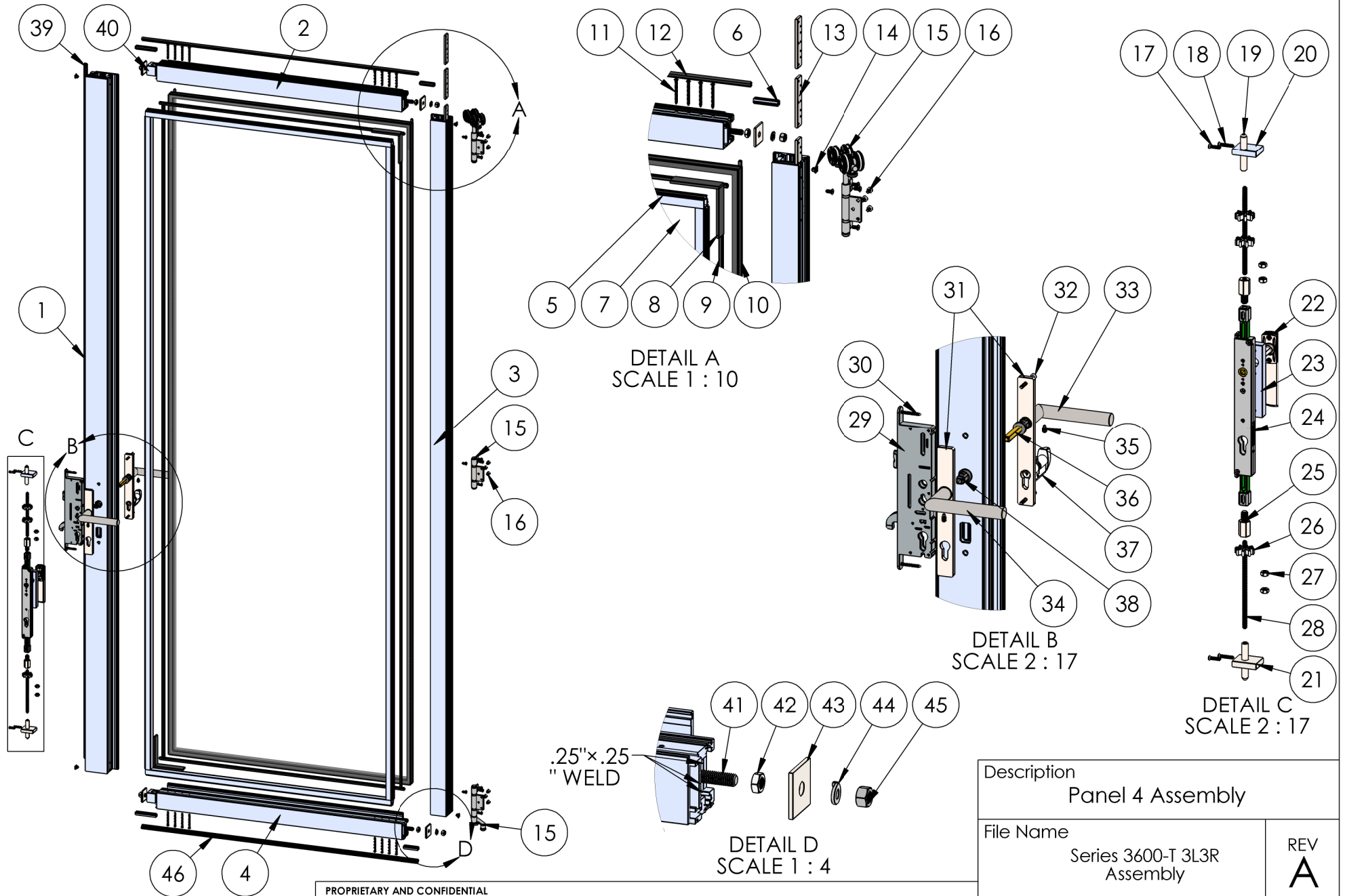
11/4/2022

SHEET 8 OF 10

PROPRIETARY AND CONFIDENTIAL

THE INFORMATION CONTAINED IN THIS DRAWING IS THE SOLE PROPERTY OF FLEETWOOD WINDOWS & DOORS.
ANY REPRODUCTION IN PART OR AS A WHOLE WITHOUT THE WRITTEN PERMISSION OF FLEETWOOD WINDOWS & DOORS IS PROHIBITED.

ASSEMBLY / PARTS LIST (B.O.M.)



PROPRIETARY AND CONFIDENTIAL
THE INFORMATION CONTAINED IN THIS DRAWING IS THE SOLE PROPERTY OF FLEETWOOD WINDOWS & DOORS.
ANY REPRODUCTION IN PART OR AS A WHOLE WITHOUT THE WRITTEN PERMISSION OF FLEETWOOD WINDOWS & DOORS IS PROHIBITED.

Description		Panel 4 Assembly	
File Name		Series 3600-T 3L3R	REV
		Assembly	A
Released	11/4/2022	SHEET 9 OF 10	

ASSEMBLY / PARTS LIST (B.O.M.)

Extrusions

ITEM NO.	PART NUMBER	DESCRIPTION	QTY.
1	3205	Lock Stile	1
2	3604	Top Rail	1
3	3604	Right Stile	1
4	3604	Bottom Rail	1
5	3907	1" Glass Stop (Shown)	4
6	3916	Seal Clip	4

Hardware

ITEM NO.	PART NUMBER	DESCRIPTION	QTY.
7	IG Glass	Glass	1
8	27313	Setting Block 4"x3/16"x1"	4
9	25031	Bulb Vinyl-Large	4
10	25199	Mini Bulb Vinyl	4
11	20258	#8 FHP Screw, 2"	16
12	25058	Q-Lon Foam Seal (at Head and Left Stile)	2
13	25584	Hinge Back Up Plate Int. Carrier	3
14	26684	Bottom and Top Clip Cap	4
15	25644,25645	Intermediate Hanger Set (S.S., Black)	1
16	25486,25487	#10-32 FH Torx Screw, 0.5", Clear, Black, Driver Size T25	24
17	26914, 26915	#8-32 Torx FH Screw, 0.75 in. (S.S., Black)	2
18	26916, 26917	#8-32 Torx FH Screw, 1.0 in. (S.S., Black)	2
19	27055	Shoot Bolt Cap	2
20	27085	Top Shoot Bolt Guide	1
21	27086	Shoot Bolt Guide- Bottom Swinging	1
22	25656,25657	DPL Non-Locking Handle (S.S., Black)	1
23	26837	Aluminum Lock Spacer	1
24	25662	DPL Lock Body	1
25	27066	M10 to 1/4-20 Thread Adapter	2
26	25566	Shoot Bolt Rod Guide	3

Hardware

ITEM NO.	PART NUMBER	DESCRIPTION	QTY.
27	24893	1/4-20 Hex Nut	4
28	27067	1/4-20 Threaded Rod	2
29	25758	Yale Latch	1
30	20252	#8 FHP Screw, 1.5", Clear	2
31	25207, 25398, 27034, 27033	Escutcheon Plates Exterior and Interior (Active- S.S., Black ; Thumb-turn only- S.S., Black)	1
32	25342	#10-32 FHP Screw, 2.25"	2
33	26190	FSB 1076 LH Lever (Default)	1
34	26189	FSB 1076 RH Lever (Default)	1
35	(Shipped with Handle)	Socket Set Screw .250-20, .375"	2
36	26195	Spindle	1
37	23204, 24010, 25254, 24010, 23225, 24029	Cylinder (KA, KD, SS, BL, Thumbturn)	1
38	26212	Lever Adaptor	2
39	25058	Q-Long Foam Seal	1
40	25571	Corner Block	4
41	25668	.375-16 Hex Head Cap Screw, 1.625"	4
42	25176	.375-16 Stainless Steel Hex Nut, .5625 Wt, .218 Ht	4
43	25573	Back up Plate Corner Block	4
44	25024	.375 Split Lock Washer	4
45	25023	.375-16 Stainless Steel Hex Nut	4
46	25683	Foam Seal	1

Description
Panel 4 B.O.M.

File Name
Series 3600-T 3L3R
Assembly

REV
A

PROPRIETARY AND CONFIDENTIAL

THE INFORMATION CONTAINED IN THIS DRAWING IS THE SOLE PROPERTY OF FLEETWOOD WINDOWS & DOORS.
ANY REPRODUCTION IN PART OR AS A WHOLE WITHOUT THE WRITTEN PERMISSION OF FLEETWOOD WINDOWS & DOORS IS PROHIBITED.

Released 11/4/2022

SHEET 10 OF 10