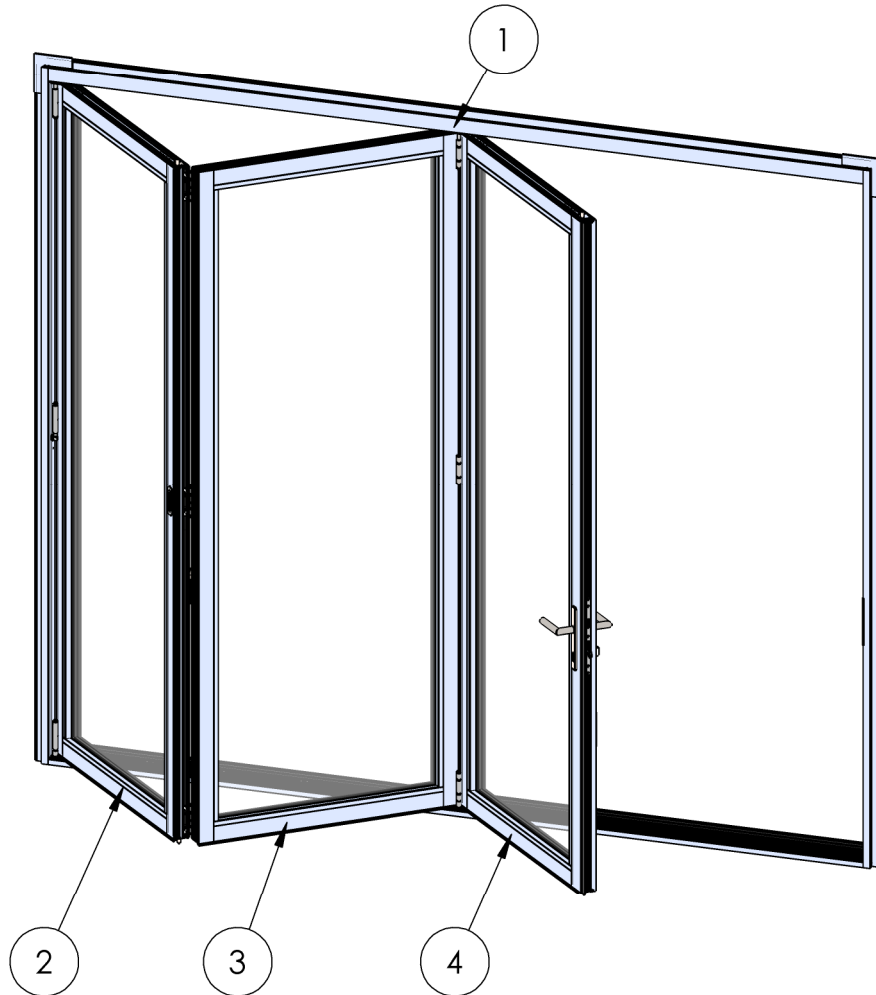


# ASSEMBLY / PARTS LIST (B.O.M.)

**Series: 3600-T**  
**Type: 3L and 3R Configuration**



## TABLE OF CONTENTS

ITEM NO.	DESCRIPTION	QTY.	PAGE #
1	Frame Assembly	1	2
2	Panel 1 Assembly	1	3-4
3	Panel 2 Assembly	1	5-6
4	Panel 3 Assembly	1	7-8

### NOTES:

1. 3L Configuration shown
2. Out-Swing Door shown
3. Relative to the exterior numbering of panels is from left to right
4. Flush pulls on in-swing only

Description  
Table of Contents

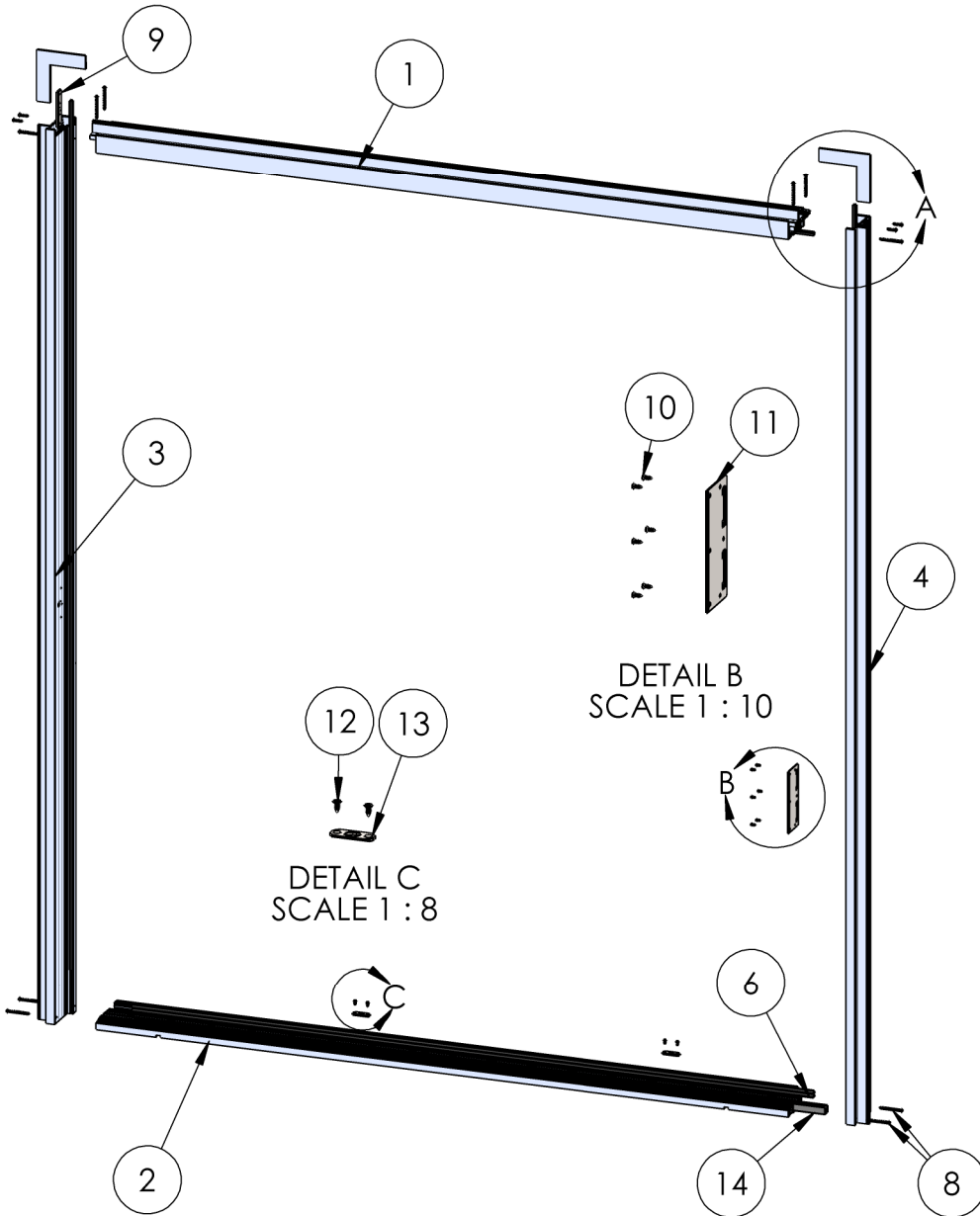
File Name  
Series 3600-T 3L and 3R  
Assembly

REV  
**A**

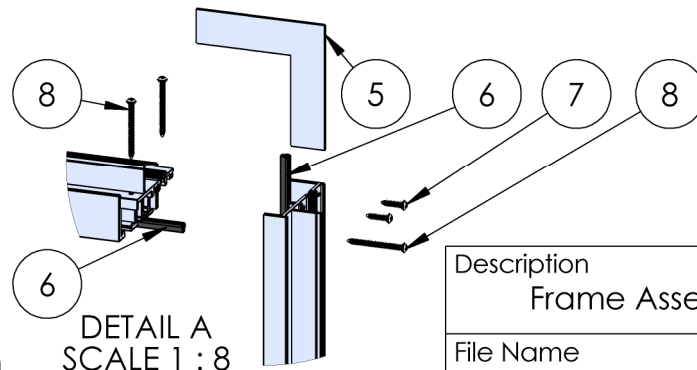
Released 11/4/2022

SHEET 1 OF 8

# ASSEMBLY / PARTS LIST (B.O.M.)



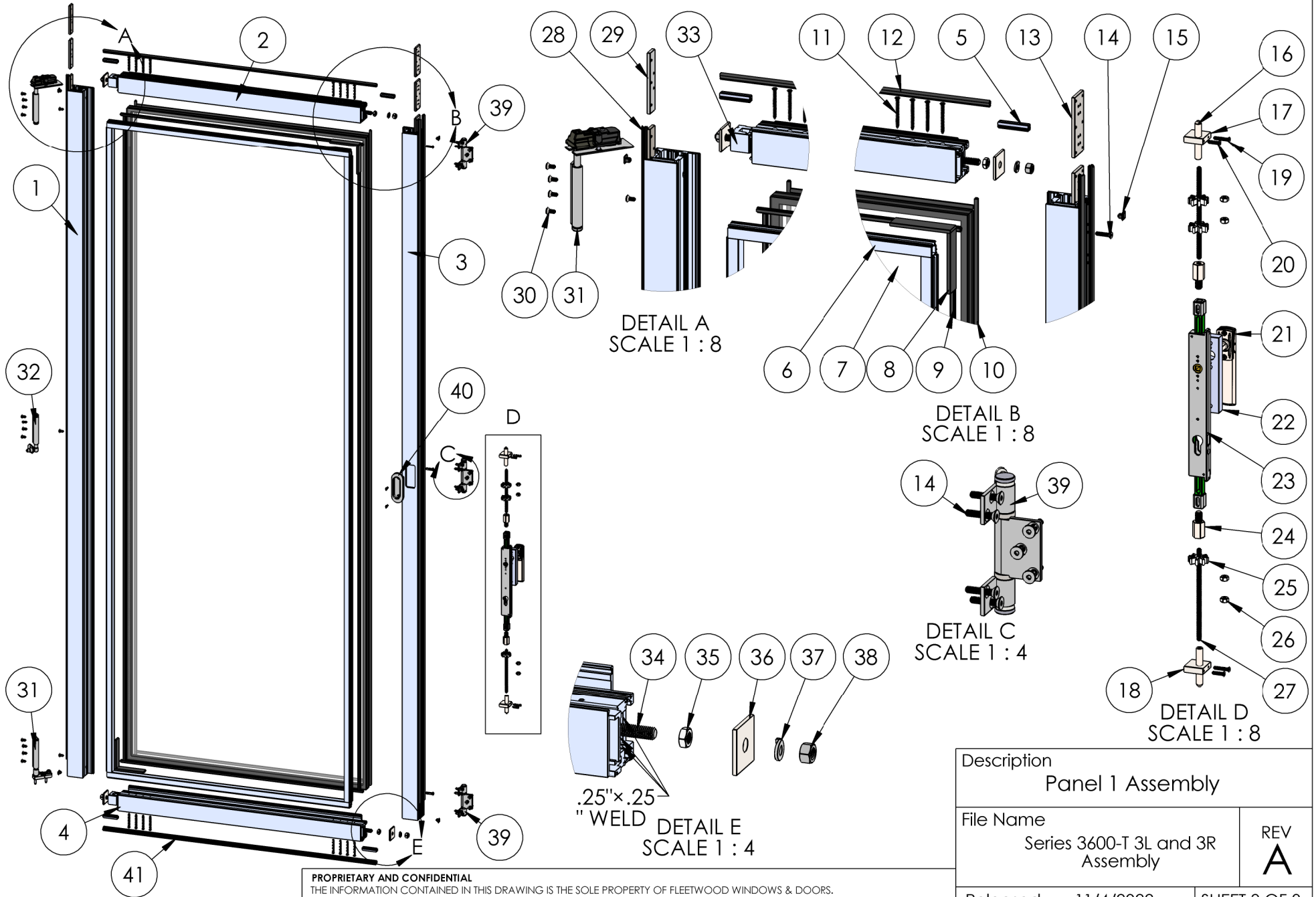
EXTRUSIONS			
ITEM NO.	PART NUMBER	DESCRIPTION	QTY.
1	3601	Head	1
2	3602	Sill	1
3	3603	Left Jamb	1
4	3603	Right Jamb	1
HARDWARE			
ITEM NO.	PART NUMBER	DESCRIPTION	QTY.
5	18629	Nail-Fin Corner (For Nail-Fin Door)	2
6	25059	Q-Lon Foam Seal	5
7	20350	#10 PHP Screw, 1 in.	4
8	25075	#10 PHP Screw, 2.5 In	10
9	25585	Jamb Hinge Back Up Plate	2
10	20240	#8 FHP - A - UC, 1/2", SS, Clear	6
11	25590	Latch-Deadbolt Strike Plate	1
12	20275	#10 FHP-A-UC Screw, .5 in., Clear	4
13	27321	Shoot Bolt Strike Plate (part of a kit)	2
14	25685	Polypropylene Channel	1



Description Frame Assembly/B.O.M.	
File Name Series 3600-T 3L and 3R Assembly	REV <b>A</b>
Released 11/4/2022	SHEET 2 OF 8

**PROPRIETARY AND CONFIDENTIAL**  
THE INFORMATION CONTAINED IN THIS DRAWING IS THE SOLE PROPERTY OF FLEETWOOD WINDOWS & DOORS.  
ANY REPRODUCTION IN PART OR AS A WHOLE WITHOUT THE WRITTEN PERMISSION OF FLEETWOOD WINDOWS & DOORS IS PROHIBITED.

# ASSEMBLY / PARTS LIST (B.O.M.)



PROPRIETARY AND CONFIDENTIAL  
THE INFORMATION CONTAINED IN THIS DRAWING IS THE SOLE PROPERTY OF FLEETWOOD WINDOWS & DOORS.  
ANY REPRODUCTION IN PART OR AS A WHOLE WITHOUT THE WRITTEN PERMISSION OF FLEETWOOD WINDOWS & DOORS IS PROHIBITED.

Description	
Panel 1 Assembly	
File Name	REV
Series 3600-T 3L and 3R Assembly	<b>A</b>
Released	SHEET 3 OF 8
11/4/2022	

# ASSEMBLY / PARTS LIST (B.O.M.)

Extrusions				Hardware			
ITEM NO.	PART NUMBER	DESCRIPTION	QTY.	ITEM NO.	PART NUMBER	DESCRIPTION	QTY.
1	3604	Left Stile	1	23	25662	DPL Lock Body	1
2	3604	Top Rail	1	24	27066	M10 to 1/4-20 Thread Adapter	2
3	3604	Right Stile	1	25	25566	Shoot Bolt Rod Guide	3
4	3604	Bottom Rail	1	26	24893	1/4-20 Hex Nut	4
5	3916	Seal Clip	4	27	27067	1/4-20 Threaded Rod	2
6	3907	1" Glass Stop (Shown)	4	28	25059	Q-Lon Foam Seal	3
Hardware				29	25582	Hinge Back Up Plate	3
ITEM NO.	PART NUMBER	DESCRIPTION	QTY.	30	25486,25487	#10-32 FH Torx Screw, 0.5", T25 (SS, Black)	15
7	IG Glass	Glass	1	31	25638,25639	Pivot Set (S.S., Black)	1
8	27313	Setting Block 4"x3/16"x1"	4	32	25640,25641	Jamb Pivot (S.S., Black)	1
9	25031	Bulb Vinyl-Large	4	33	25571	Corner Block	4
10	25199	Mini Bulb Vinyl	4	34	25668	.375-16 Hex Head Cap Screw, 1.625"	4
11	20258	#8 FHP Screw, 2 in.	16	35	25176	.375-16 Stainless Steel Hex Nut, .5625 Wt, .218 Ht	4
12	25058	Q-Lon Foam Seal	1	36	25573	Back up Plate Corner Block	4
13	25586	Hinge Back Up Plate	3	37	25024	.375 Split Lock Washer	4
14	25488,25489	#10-32 FH Torx Screw, 1", T25 (S.S., Black)	24	38	25023	.375-16 Stainless Steel Hex Nut	4
15	26684	Bottom and Top Clip Cap	4	39	25650, 25651, 25652, 25653	Offset Hinge Handle Set (S.S., Black) Hinge Set (in-swing only) (S.S., Black)	1
16	27055	Shoot Bolt Cap	2	40	25654	Flush Pull with screws (in-swing only)	1
17	27083	Top Shoot Bolt Guide	1	41	25683	Foam Seal	1
18	27084	Bottom Shoot Bolt Guide	1				
19	26916, 26917	#8-32 Torx FH Screw, 1.0 in. (S.S., Black)	2				
20	26914, 26915	#8-32 Torx FH Screw, 0.75 in. (S.S., Black)	2				
21	25656,25657	DPL Non-Locking Handle (S.S., Black)	1				
22	26837	Aluminum Lock Spacer	1				

Description

Panel 1 B.O.M.

File Name

Series 3600-T 3L and 3R  
Assembly

REV  
**A**

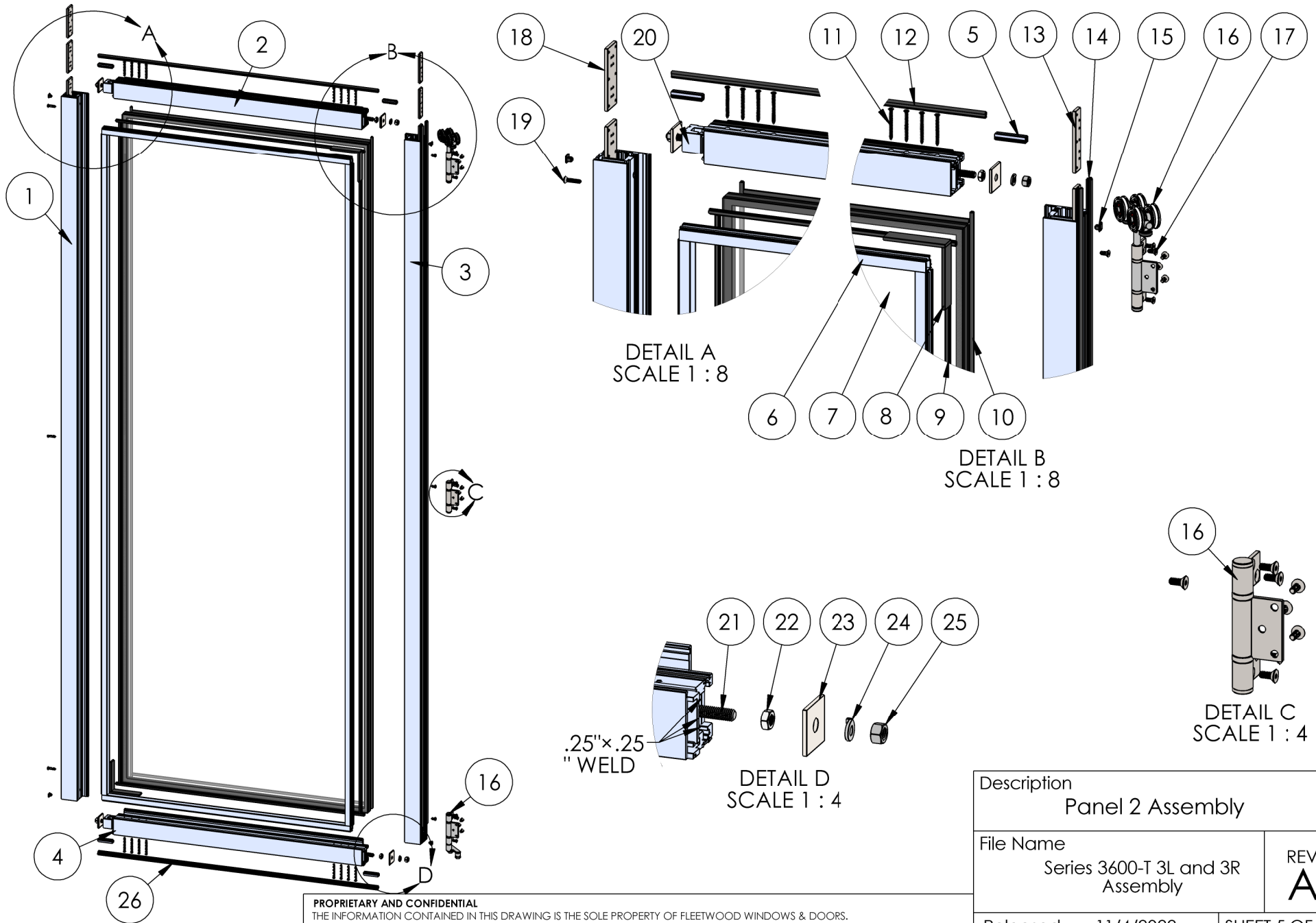
Released 11/4/2022

SHEET 4 OF 8

**PROPRIETARY AND CONFIDENTIAL**

THE INFORMATION CONTAINED IN THIS DRAWING IS THE SOLE PROPERTY OF FLEETWOOD WINDOWS & DOORS.  
ANY REPRODUCTION IN PART OR AS A WHOLE WITHOUT THE WRITTEN PERMISSION OF FLEETWOOD WINDOWS & DOORS IS PROHIBITED.

# ASSEMBLY / PARTS LIST (B.O.M.)



PROPRIETARY AND CONFIDENTIAL  
THE INFORMATION CONTAINED IN THIS DRAWING IS THE SOLE PROPERTY OF FLEETWOOD WINDOWS & DOORS.  
ANY REPRODUCTION IN PART OR AS A WHOLE WITHOUT THE WRITTEN PERMISSION OF FLEETWOOD WINDOWS & DOORS IS PROHIBITED.

Description Panel 2 Assembly	
File Name Series 3600-T 3L and 3R Assembly	REV <b>A</b>
Released	11/4/2022
SHEET 5 OF 8	

# ASSEMBLY / PARTS LIST (B.O.M.)

## Extrusions

ITEM NO.	PART NUMBER	DESCRIPTION	QTY.
1	3604	Left Stile	1
2	3604	Top Rail	1
3	3604	Right Stile	1
4	3604	Bottom Rail	1
5	3916	Seal Clip	4
6	3907	1" Glass Stop (Shown)	4

## Hardware

ITEM NO.	PART NUMBER	DESCRIPTION	QTY.
7	IG Glass	Glass	1
8	27313	Setting Block 4"x3/16"x1"	4
9	25031	Bulb Vinyl-Large	4
10	25199	Mini Bulb Vinyl	4
11	20258	#8 FHP Screw, 2 in.	16
12	25058	Q-Lon Foam Seal	1
13	25584	Hinge Back Up Plate Int. Carrier	3
14	25059	Q-Lon Foam Seal	2
15	26684	Bottom and Top Clip Cap	4
16	25644, 25645	Intermediate Hanger Set (S.S., Black)	1
17	25486,25487	#10-32 FH Torx Screw, 0.5", T25 (SS, Black)	24

## Hardware

ITEM NO.	PART NUMBER	DESCRIPTION	QTY.
18	25586	Hinge Back Up Plate	3
19	25488,25489	#10-32 FH Torx Screw, 1", T25 (S.S., Black)	3
20	25571	Corner Block	4
21	25668	.375-16 Hex Head Cap Screw, 1.625"	4
22	25176	.375-16 Stainless Steel Hex Nut, .5625 Wt, .218 Ht	4
23	25573	Back up Plate Corner Block	4
24	25024	.375 Split Lock Washer	4
25	25023	.375-16 Stainless Steel Hex Nut	4
26	25683	Foam Seal	1

Description

Panel 2 B.O.M.

File Name

Series 3600-T 3L and 3R  
Assembly

REV  
**A**

Released

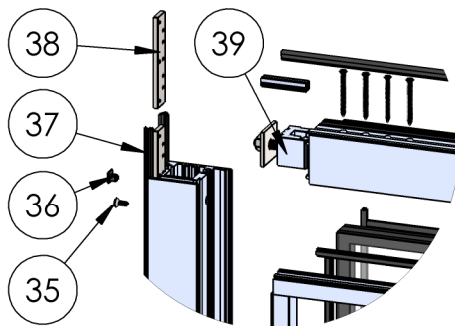
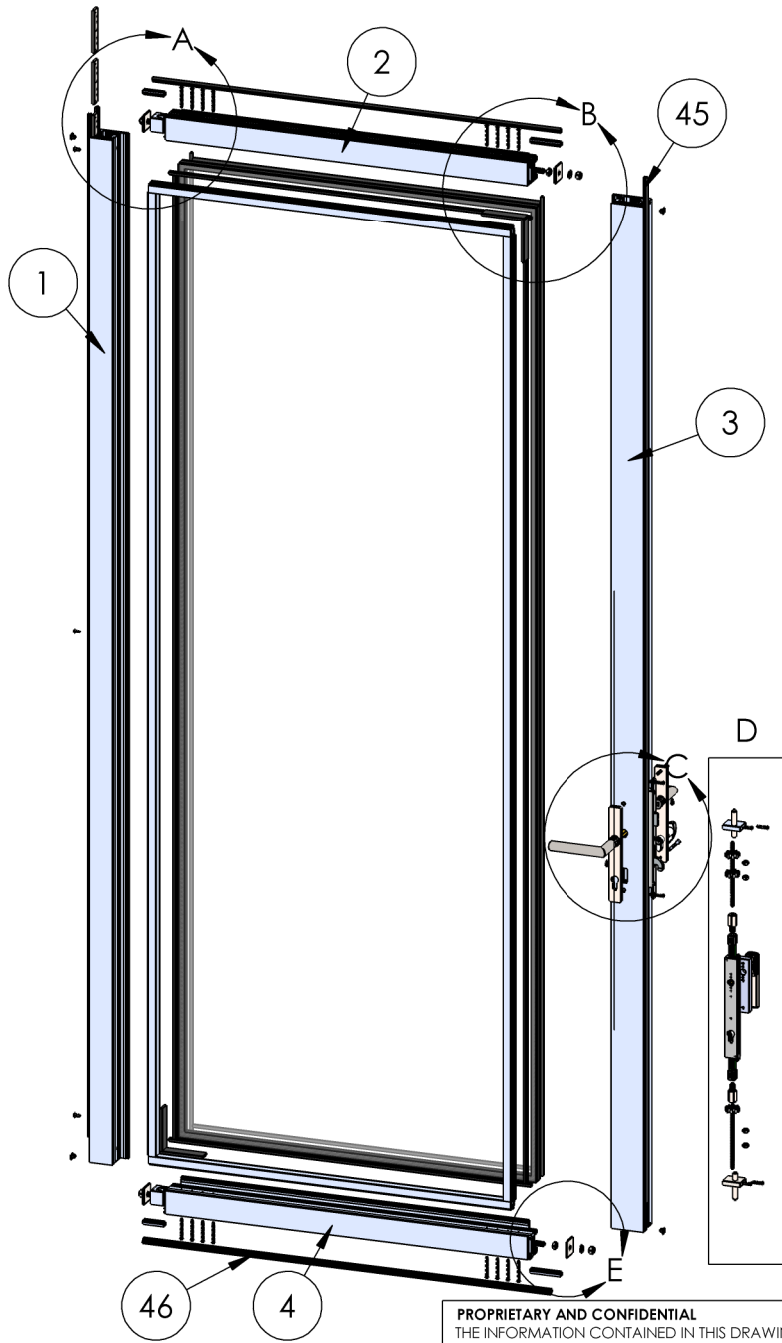
11/4/2022

SHEET 6 OF 8

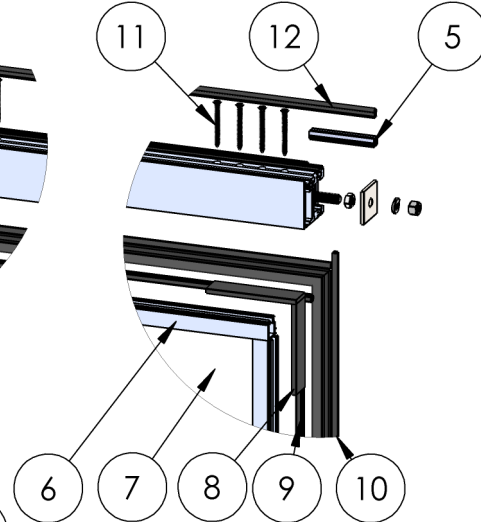
**PROPRIETARY AND CONFIDENTIAL**

THE INFORMATION CONTAINED IN THIS DRAWING IS THE SOLE PROPERTY OF FLEETWOOD WINDOWS & DOORS.  
ANY REPRODUCTION IN PART OR AS A WHOLE WITHOUT THE WRITTEN PERMISSION OF FLEETWOOD WINDOWS & DOORS IS PROHIBITED.

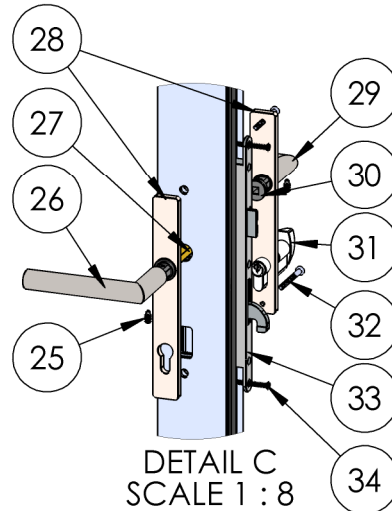
# ASSEMBLY / PARTS LIST (B.O.M.)



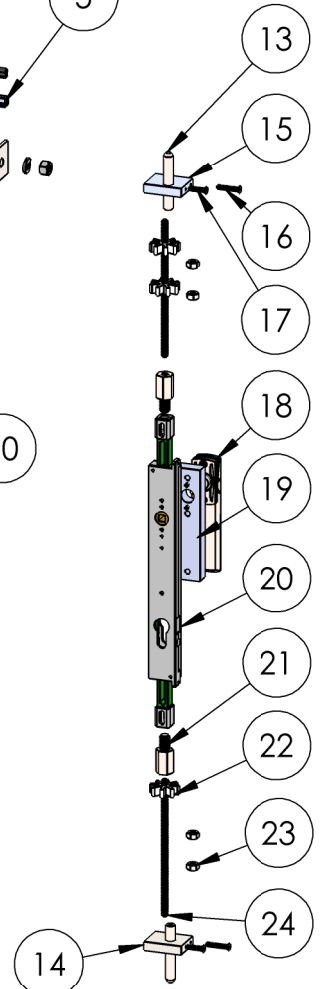
DETAIL A  
SCALE 1 : 8



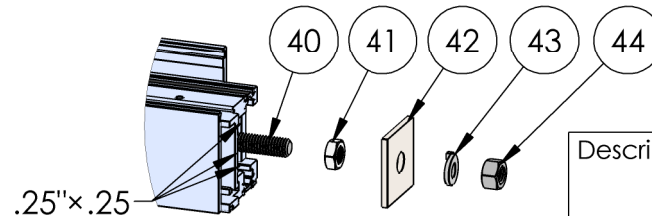
DETAIL B  
SCALE 1 : 8



DETAIL C  
SCALE 1 : 8



DETAIL D  
SCALE 1 : 8



DETAIL E  
SCALE 1 : 4

**PROPRIETARY AND CONFIDENTIAL**  
THE INFORMATION CONTAINED IN THIS DRAWING IS THE SOLE PROPERTY OF FLEETWOOD WINDOWS & DOORS.  
ANY REPRODUCTION IN PART OR AS A WHOLE WITHOUT THE WRITTEN PERMISSION OF FLEETWOOD WINDOWS & DOORS IS PROHIBITED.

Description Panel 3 Assembly	
File Name Series 3600-T 3L and 3R Assembly	REV <b>A</b>
Released	11/4/2022
SHEET 7 OF 8	

# ASSEMBLY / PARTS LIST (B.O.M.)

Extrusions			
ITEM NO.	PART NUMBER	DESCRIPTION	QTY.
1	3604	Left Stile	1
2	3604	Top Rail	1
3	3204	Lock Stile	1
4	3604	Bottom Rail	1
5	3916	Seal Clip	4
6	3907	1" Glass Stop (Shown)	4

Hardware			
ITEM NO.	PART NUMBER	DESCRIPTION	QTY.
7	IG Glass	Glass	1
8	27313	Setting Block 4"x3/16"x1"	4
9	25031	Bulb Vinyl-Large	4
10	25199	Mini Bulb Vinyl	4
11	20258	#8 FHP Screw, 2 in.	16
12	25058	Q-Lon Foam Seal	1
13	27055	Shoot Bolt Cap	2
14	27086	Shoot Bolt Guide- Bottom Swinging	1
15	27085	Top Shoot Bolt Guide	1
16	26916, 26917	#8-32 Torx FH Screw, 1.0 in. (S.S., Black)	2
17	26914, 26915	#8-32 Torx FH Screw, 0.75 in. (S.S., Black)	2
18	25656,25657	DPL Non-Locking Handle (S.S., Black)	1
19	26837	Aluminum Lock Spacer	1
20	25662	DPL Lock Body	1
21	27066	M10 to 1/4-20 Thread Adapter	2
22	25566	Shoot Bolt Rod Guide	3
23	24893	1/4-20 Hex Nut	4
24	27067	1/4-20 Threaded Rod	2
25	(Shipped with Handle)	Socket Set Screw .250-20, .375"	2

Hardware			
ITEM NO.	PART NUMBER	DESCRIPTION	QTY.
26	26190	FSB 1076 LH Lever (Default)	1
27	26195	Spindle	1
28	25207, 25398, 27034, 27033	Escutcheon Plates Exterior and Interior (Active- S.S., Black ; Thumb-turn only- S.S., Black)	1
29	26189	FSB 1076 RH Lever (Default)	1
30	26212	Lever Adaptor	2
31	23204, 24010, 25254, 24010, 23225, 24029	Cylinder (KA, KD, SS, BL, Thumbturn)	1
32	25342	#10-32 FHP Screw, 2.25"	2
33	25758	Yale Latch	1
34	20252	#8 FHP Screw, 1.5 in.	2
35	25486,25487	#10-32 FH Torx Screw, 0.5", T25 (SS, Black)	3
37	25059	Q-Lon Foam Seal	2
38	25584	Hinge Back Up Plate Int. Carrier	3
39	25571	Corner Block	4
40	25668	.375-16 Hex Head Cap Screw, 1.625"	4
41	25176	.375-16 Stainless Steel Hex Nut, .5625 Wt, .218 Ht	4
42	25573	Back up Plate Corner Block	4
43	25024	.375 Split Lock Washer	4
44	25023	.375-16 Stainless Steel Hex Nut	4
45	25058	Q-Long Foam Seal	1
46	25683	Foam Seal	1

Description  
Panel 3 B.O.M.

File Name  
Series 3600-T 3L and 3R  
Assembly

REV  
**A**

Released 11/4/2022

SHEET 8 OF 8

**PROPRIETARY AND CONFIDENTIAL**

THE INFORMATION CONTAINED IN THIS DRAWING IS THE SOLE PROPERTY OF FLEETWOOD WINDOWS & DOORS.  
ANY REPRODUCTION IN PART OR AS A WHOLE WITHOUT THE WRITTEN PERMISSION OF FLEETWOOD WINDOWS & DOORS IS PROHIBITED.