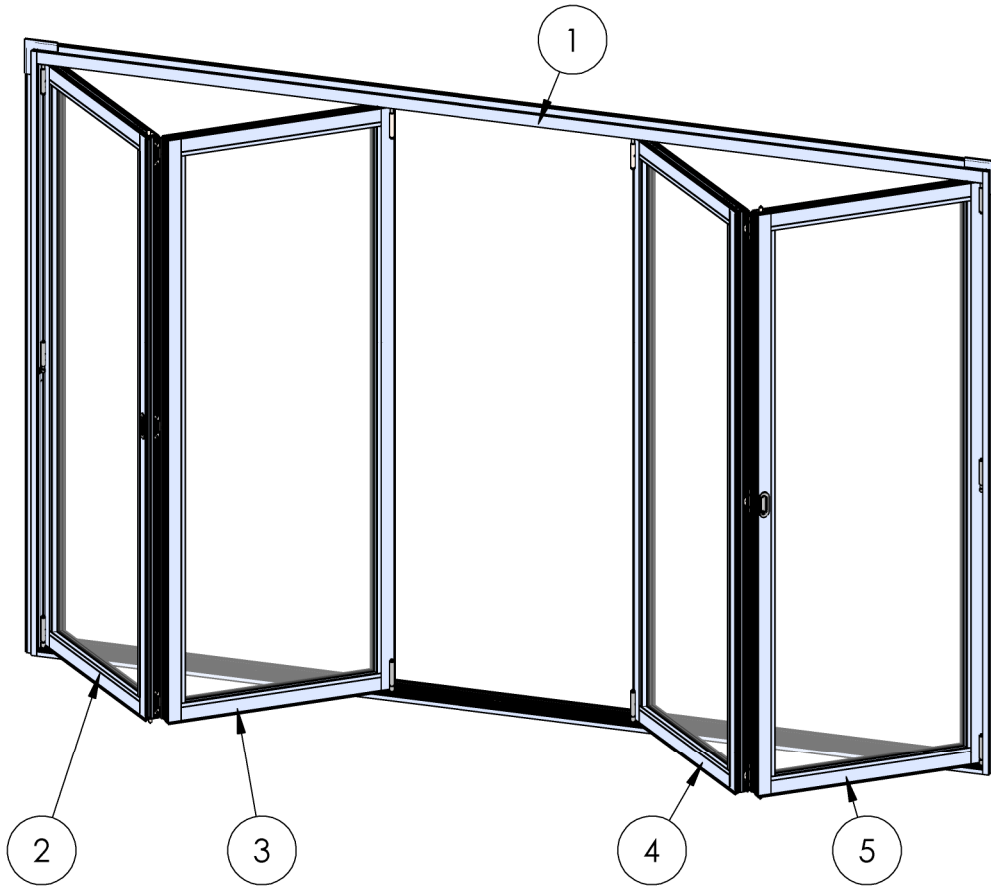


# ASSEMBLY / PARTS LIST (B.O.M.)

**Series: 3600-T**  
**Type: 2L2R Configuration**



## TABLE OF CONTENTS

ITEM NO.	PART NUMBER	QTY.	PAGE #
1	Frame Assembly	1	2
2	Panel 1 Assembly	1	3-4
3	Panel 2 Assembly	1	5-6
4	Panel 3 Assembly	1	See Note
5	Panel 4 Assembly	1	See Note

## NOTES:

1. 2L2R Configuration shown
2. Out-Swing Door shown
3. Relative to the exterior numbering of panels is from left to right
4. Panels 3 and 4 are same components as Panels 1 and 2.
5. Flush pulls for in-swing panel shown.

Description

Table of Contents

File Name

Series 3600-T 2L2R  
Assembly

REV  
**A**

Released

11/4/2022

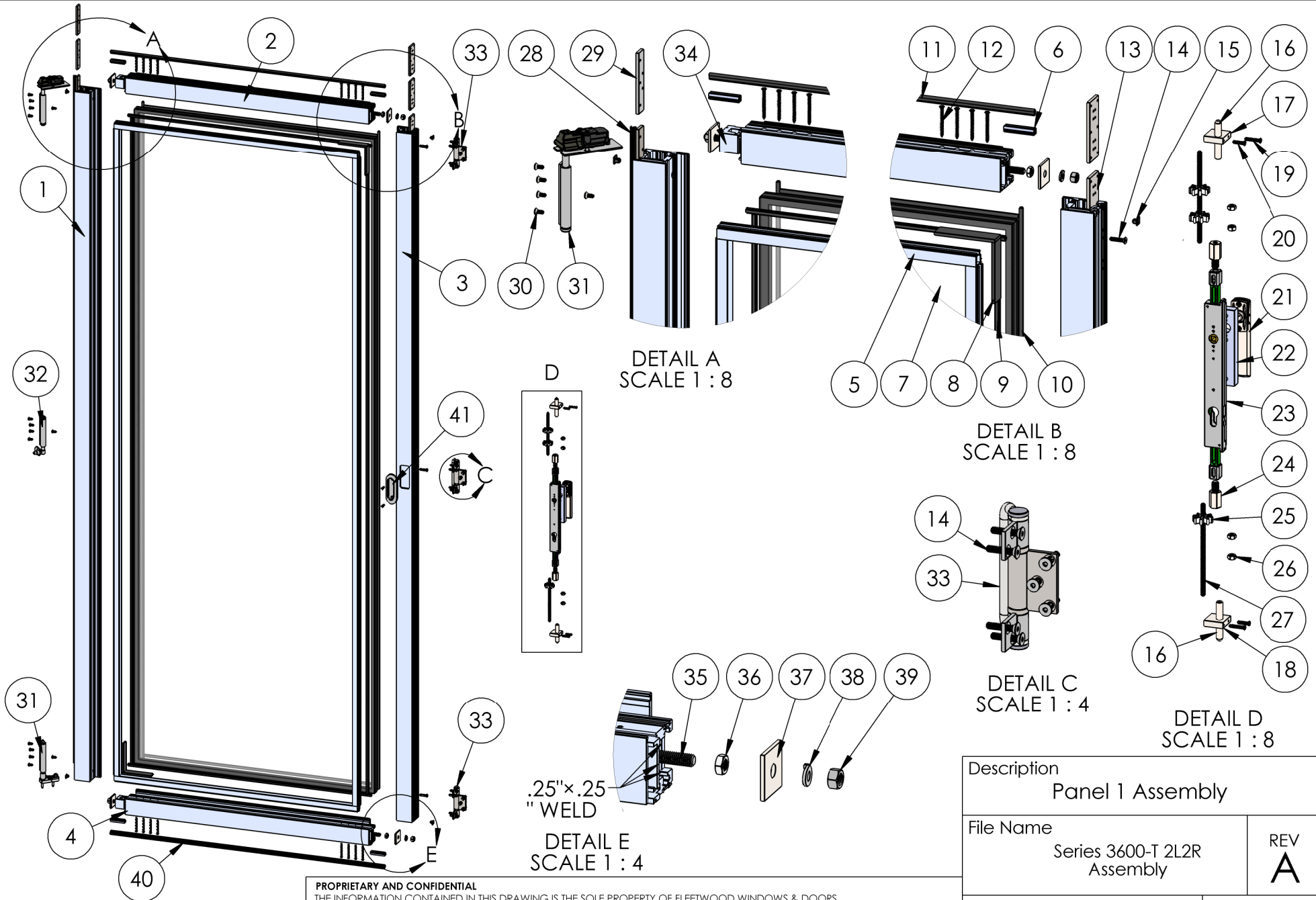
SHEET 1 OF 6

**PROPRIETARY AND CONFIDENTIAL**

THE INFORMATION CONTAINED IN THIS DRAWING IS THE SOLE PROPERTY OF FLEETWOOD WINDOWS & DOORS.  
ANY REPRODUCTION IN PART OR AS A WHOLE WITHOUT THE WRITTEN PERMISSION OF FLEETWOOD WINDOWS & DOORS IS PROHIBITED.



# ASSEMBLY / PARTS LIST (B.O.M.)



DETAIL A  
SCALE 1 : 8

DETAIL B  
SCALE 1 : 8

DETAIL C  
SCALE 1 : 4

DETAIL D  
SCALE 1 : 8

.25" x .25"  
" WELD

DETAIL E  
SCALE 1 : 4

PROPRIETARY AND CONFIDENTIAL  
THE INFORMATION CONTAINED IN THIS DRAWING IS THE SOLE PROPERTY OF FLEETWOOD WINDOWS & DOORS.  
ANY REPRODUCTION IN PART OR AS A WHOLE WITHOUT THE WRITTEN PERMISSION OF FLEETWOOD WINDOWS & DOORS IS PROHIBITED.

Description Panel 1 Assembly	
File Name Series 3600-T 2L2R Assembly	REV <b>A</b>
Released 11/4/2022	SHEET 3 OF 6

# ASSEMBLY / PARTS LIST (B.O.M.)

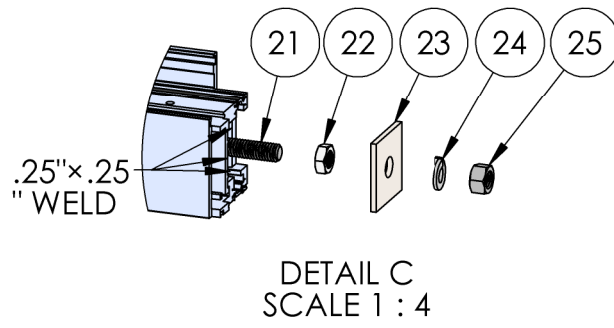
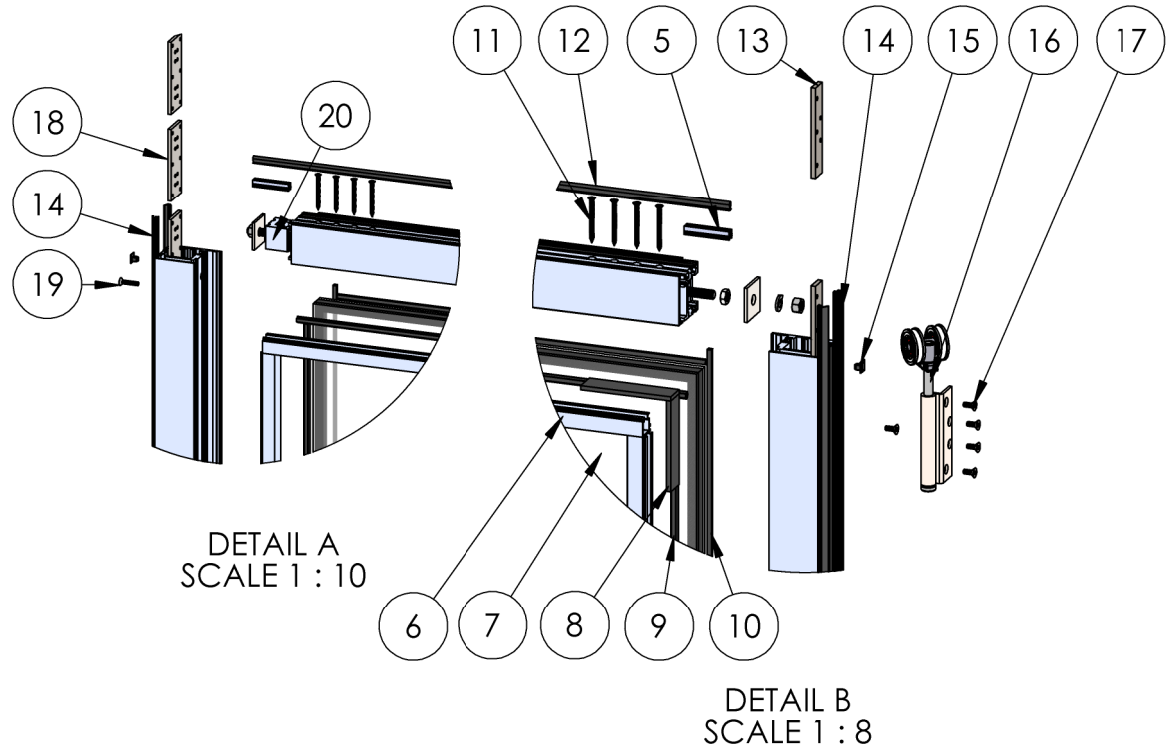
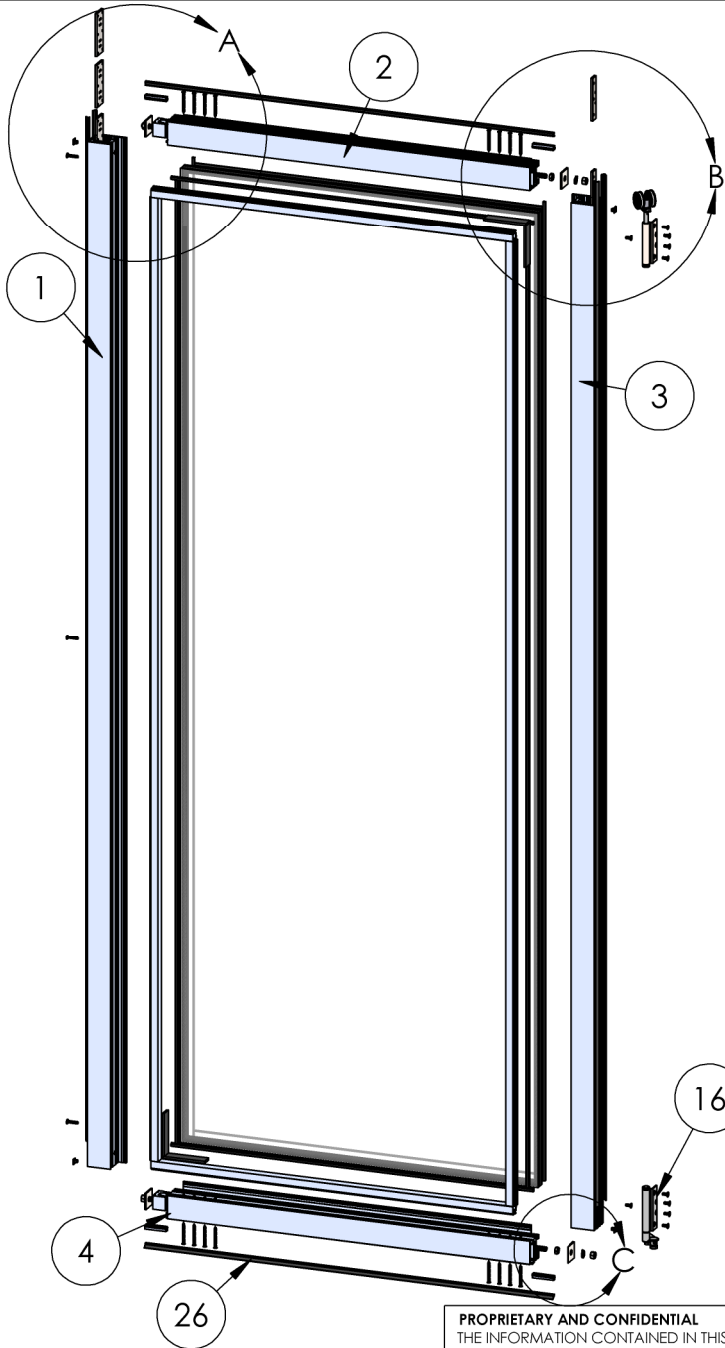
Extrusions			
ITEM NO.	PART NUMBER	DESCRIPTION	QTY.
1	3604	Left Stile	1
2	3604	Bottom Rail	1
3	3604	Right Stile	1
4	3604	Top Rail	1
5	3907	1" Glass Stop (Shown)	4
6	3916	Seal Clip	4
Hardware			
ITEM NO.	PART NUMBER	DESCRIPTION	QTY.
7	IG Glass	Glass	1
8	27313	Setting Block 4"x3/16"x1"	4
9	25031	Bulb Vinyl-Large	2
10	25199	Mini Bulb Vinyl	4
11	25058	Q-Lon Foam Seal (at Head)	1
12	20258	#8 FHP Screw, 2"	16
13	25586	Hinge Back Up Plate	3
14	25488,25489	#10-32 FH Torx Screw, 1", Size T25 (S.S., Black)	24
15	26684	Bottom and Top Clip Cap	4
16	27055	Shoot Bolt Cap	2
17	27083	Top Shoot Bolt Guide	1
18	27084	Bottom Shoot Bolt Guide	1
19	26916, 26917	#8-32 Torx FH Screw, 1.0 in. (S.S., Black)	2
20	26914, 26915	#8-32 Torx FH Screw, 0.75 in. (S.S., Black)	2
21	25656,25657	DPL Non-Locking Handle (S.S., Black)	1
22	26837	Aluminum Lock Spacer	1
23	25662	DPL Lock Body	1
24	27066	M10 to 1/4-20 Thread Adapter	2
25	25566	Shoot Bolt Rod Guide	3

Hardware			
ITEM NO.	PART NUMBER	DESCRIPTION	QTY.
26	24893	1/4-20 Hex Nut	4
27	27067	1/4-20 Threaded Rod	2
28	25059	Q-Lon Foam Seal	1
29	25582	Hinge Back Up Plate	3
30	25486,25487	#10-32 FH Torx Screw, 0.5", T25 (SS, Black)	15
31	25638,25639	Pivot Set (S.S., Black)	1
32	25640,25641	Jamb Pivot (S.S., Black)	1
33	25646,25647,25648,25649	Hinge Handle Set (S.S., Black) Hinge Set (in-swing only)(S.S., Black)	1
34	25571	Corner Block	4
35	25668	.375-16 Hex Head Cap Screw, 1.625"	4
36	25176	.375-16 Stainless Steel Hex Nut, .5625 Wt, .218 Ht	4
37	25573	Back up Plate Corner Block	4
38	25024	.375 Split Lock Washer	4
39	25023	.375-16 Stainless Steel Hex Nut	4
40	25683	Foam Seal	1
41	25654	Flush Pull with screws (in-swing only)	1

Description Panel 1 B.O.M.	
File Name Series 3600-T 2L2R Assembly	REV <b>A</b>
Released 11/4/2022	SHEET 4 OF 6

**PROPRIETARY AND CONFIDENTIAL**  
THE INFORMATION CONTAINED IN THIS DRAWING IS THE SOLE PROPERTY OF FLEETWOOD WINDOWS & DOORS.  
ANY REPRODUCTION IN PART OR AS A WHOLE WITHOUT THE WRITTEN PERMISSION OF FLEETWOOD WINDOWS & DOORS IS PROHIBITED.

# ASSEMBLY / PARTS LIST (B.O.M.)



**PROPRIETARY AND CONFIDENTIAL**  
THE INFORMATION CONTAINED IN THIS DRAWING IS THE SOLE PROPERTY OF FLEETWOOD WINDOWS & DOORS.  
ANY REPRODUCTION IN PART OR AS A WHOLE WITHOUT THE WRITTEN PERMISSION OF FLEETWOOD WINDOWS & DOORS IS PROHIBITED.

Description Panel 2 Assembly	
File Name Series 3600-T 2L2R Assembly	REV <b>A</b>
Released 11/4/2022	SHEET 5 OF 6

# ASSEMBLY / PARTS LIST (B.O.M.)

Extrusions			
ITEM NO.	PART NUMBER	DESCRIPTION	QTY.
1	3604	Left Stile	1
2	3604	Top Rail	1
3	3604	Right Stile	1
4	3604	Bottom Rail	1
5	3916	Seal Clip	4
6	3907	1" Glass Stop (Shown)	4

Hardware			
ITEM NO.	PART NUMBER	DESCRIPTION	QTY.
7	IG Glass	Glass	1
8	27313	Setting Block 4'x3/16"x1"	4
9	25031	Bulb Vinyl-Large	4
10	25199	Mini Bulb Vinyl	4
11	20258	#8 FHP Screw, 2"	16
12	25058	Q-Lon Foam Seal (at Head)	1
13	25582	Hinge Back Up Plate	2
14	25059	Q-Lon Foam Seal	4
15	26684	Bottom and Top Clip Cap	4
16	25642,25643	End Hanger Set (S.S., Black)	1
17	25486,25487	#10-32 FH Torx Screw, 0.5", T25 (SS, Black)	10
18	25586	Hinge Back Up Plate	3
19	25488,25489	#10-32 FH Torx Screw, 1", Size T25 (S.S., Black)	3
20	25571	Corner Block	4
21	25668	.375-16 Hex Head Cap Screw, 1.625"	4

Hardware			
ITEM NO.	PART NUMBER	DESCRIPTION	QTY.
22	25176	.375-16 Stainless Steel Hex Nut, .5625 Wt, .218 Ht	4
23	25573	Back up Plate Corner Block	4
24	25024	.375 Split Lock Washer	4
25	25023	.375-16 Stainless Steel Hex Nut	4
26	25683	Foam Seal	1

Description  
Panel 2 B.O.M.

File Name  
Series 3600-T 2L2R  
Assembly

REV  
**A**

Released 11/4/2022

SHEET 6 OF 6

**PROPRIETARY AND CONFIDENTIAL**

THE INFORMATION CONTAINED IN THIS DRAWING IS THE SOLE PROPERTY OF FLEETWOOD WINDOWS & DOORS.  
ANY REPRODUCTION IN PART OR AS A WHOLE WITHOUT THE WRITTEN PERMISSION OF FLEETWOOD WINDOWS & DOORS IS PROHIBITED.