

ASSEMBLY / PARTS LIST (B.O.M.)

Series: 3600-T
Type: 2L and 2R Configuration

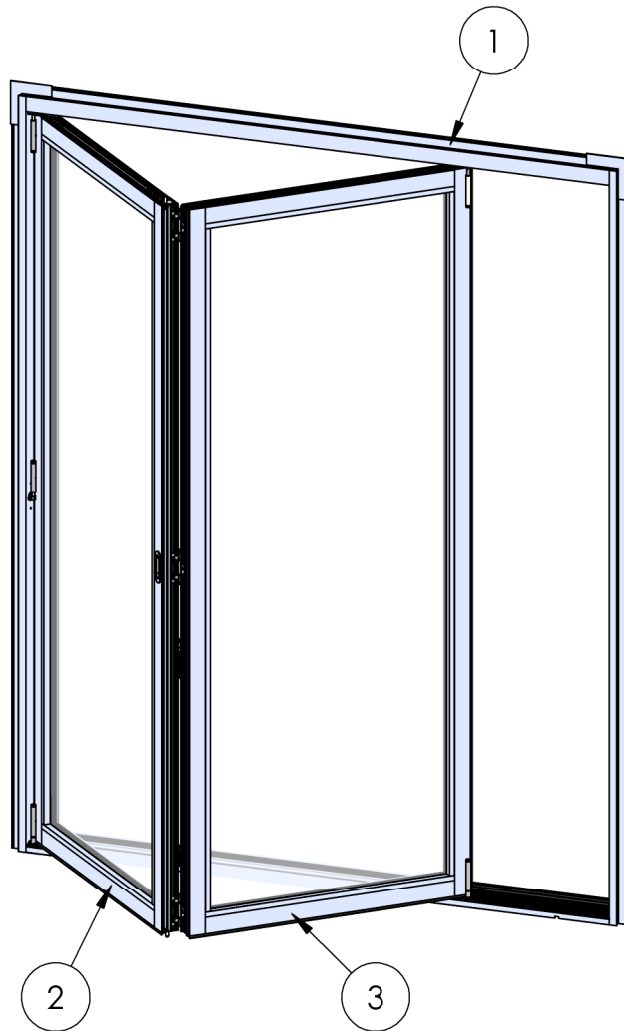
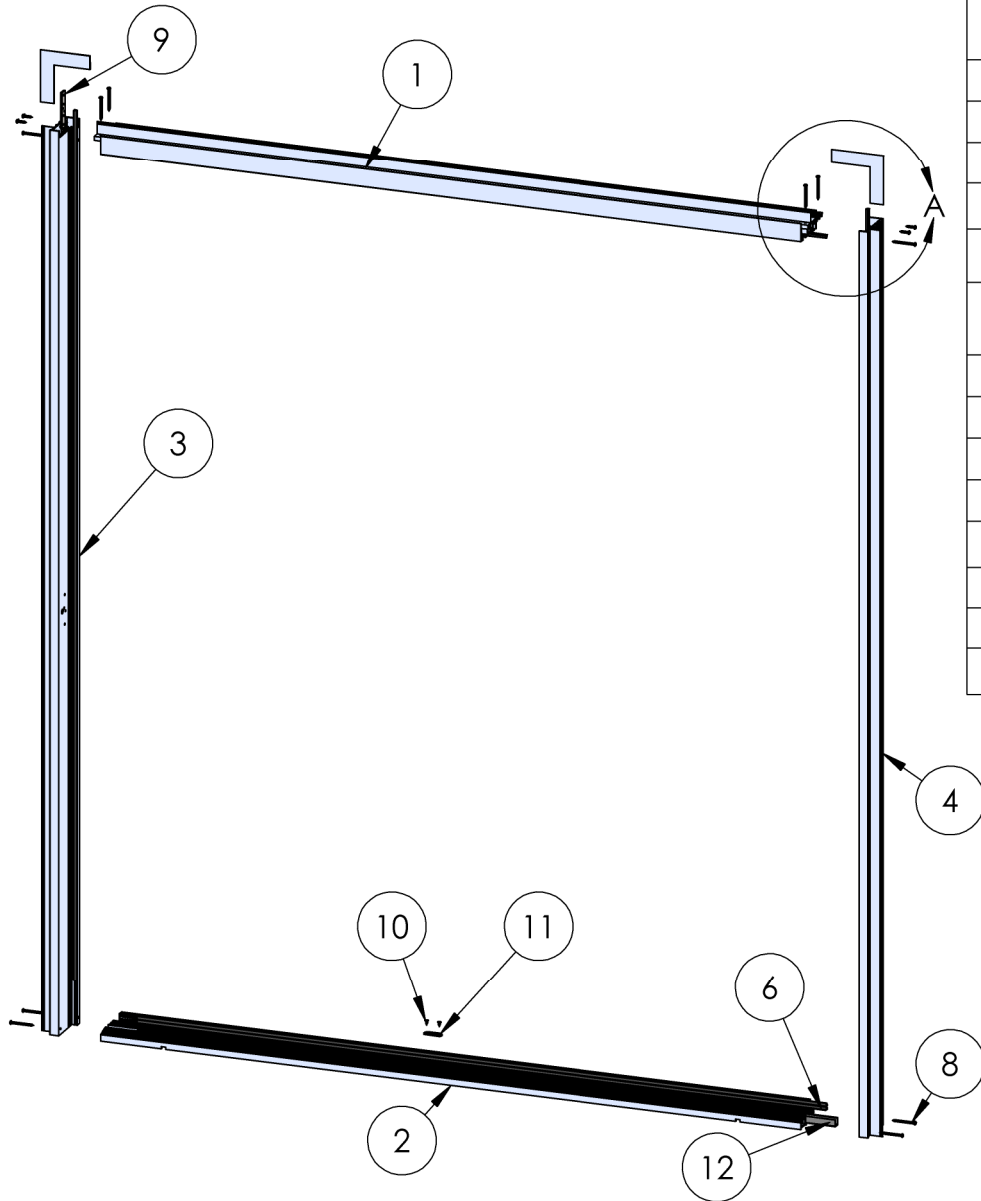


TABLE OF CONTENTS			
ITEM NO.	DESCRIPTION	QTY.	PAGE #
1	Frame Assembly	1	2
2	Panel 1 Assembly	1	3-4
3	Panel 2 Assembly	1	5-6

- NOTES:**
- 2L Configuration shown
 - Out-Swing Door shown
 - Relative to the exterior, numbering of panels is from left to right.
 - Flush pulls for in-swing panels shown.

Description Table of Contents	
File Name Series 3600-T 2L and 2R Assembly	REV A
Released 11/7/2022	SHEET 1 OF 6

ASSEMBLY / PARTS LIST (B.O.M.)

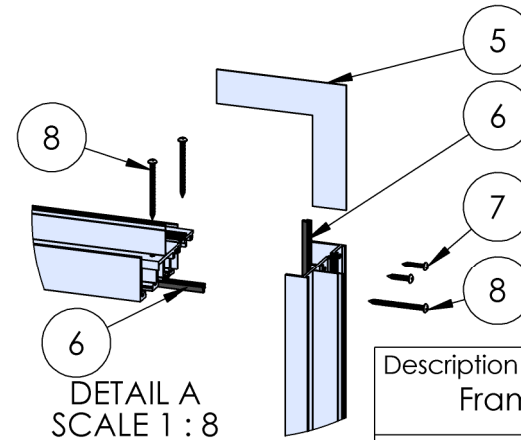


EXTRUSIONS

ITEM NO.	PART NUMBER	DESCRIPTION	QTY.
1	3601	Head	1
2	3602	Sill	1
3	3603	Left Jamb	1
4	3603	Right Jamb	1

HARDWARE

ITEM NO.	PART NUMBER	DESCRIPTION	QTY.
5	18629	Nail-Fin Corner (For Nail-Fin Door)	2
6	25059	Q-Lon Foam Seal	5
7	20350	#10 PHP Screw, 1 in.	4
8	25075	#10 PHP Screw, 2.5 In	10
9	25585	Jamb Hinge Back Up Plate	1
10	20275	#10 FHP-A-UC Screw, .5 in., Clear	2
11	27321	Shoot Bolt Strike Plate	1
12	25685	Polypropylene Channel	1



Description
Frame Assembly/B.O.M.

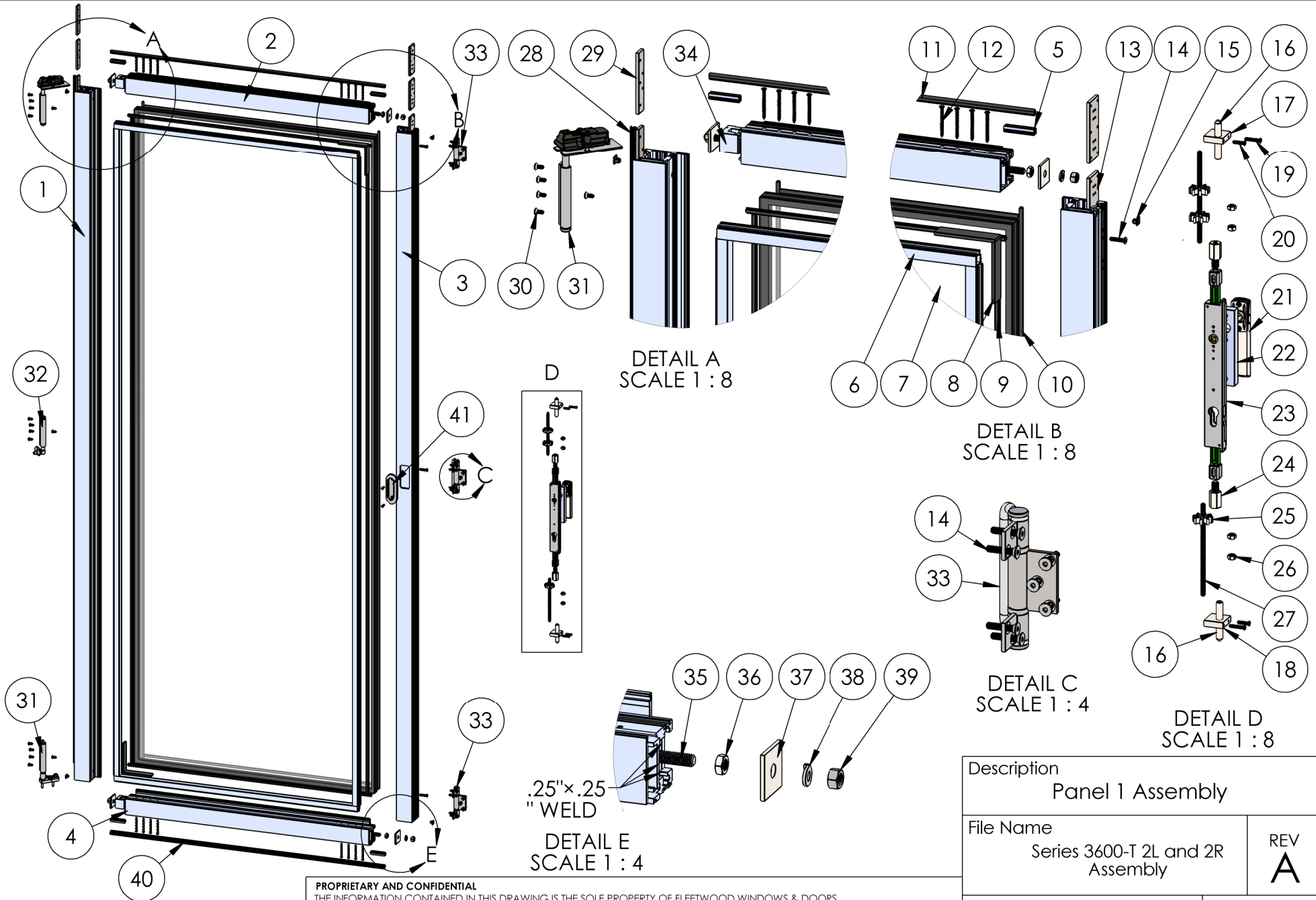
File Name
Series 3600-T 2L and 2R
Assembly

REV
A

Released 11/7/2022

SHEET 2 OF 6

ASSEMBLY / PARTS LIST (B.O.M.)



PROPRIETARY AND CONFIDENTIAL
THE INFORMATION CONTAINED IN THIS DRAWING IS THE SOLE PROPERTY OF FLEETWOOD WINDOWS & DOORS.
ANY REPRODUCTION IN PART OR AS A WHOLE WITHOUT THE WRITTEN PERMISSION OF FLEETWOOD WINDOWS & DOORS IS PROHIBITED.

Description Panel 1 Assembly	
File Name Series 3600-T 2L and 2R Assembly	REV A
Released	11/7/2022
SHEET 3 OF 6	

ASSEMBLY / PARTS LIST (B.O.M.)

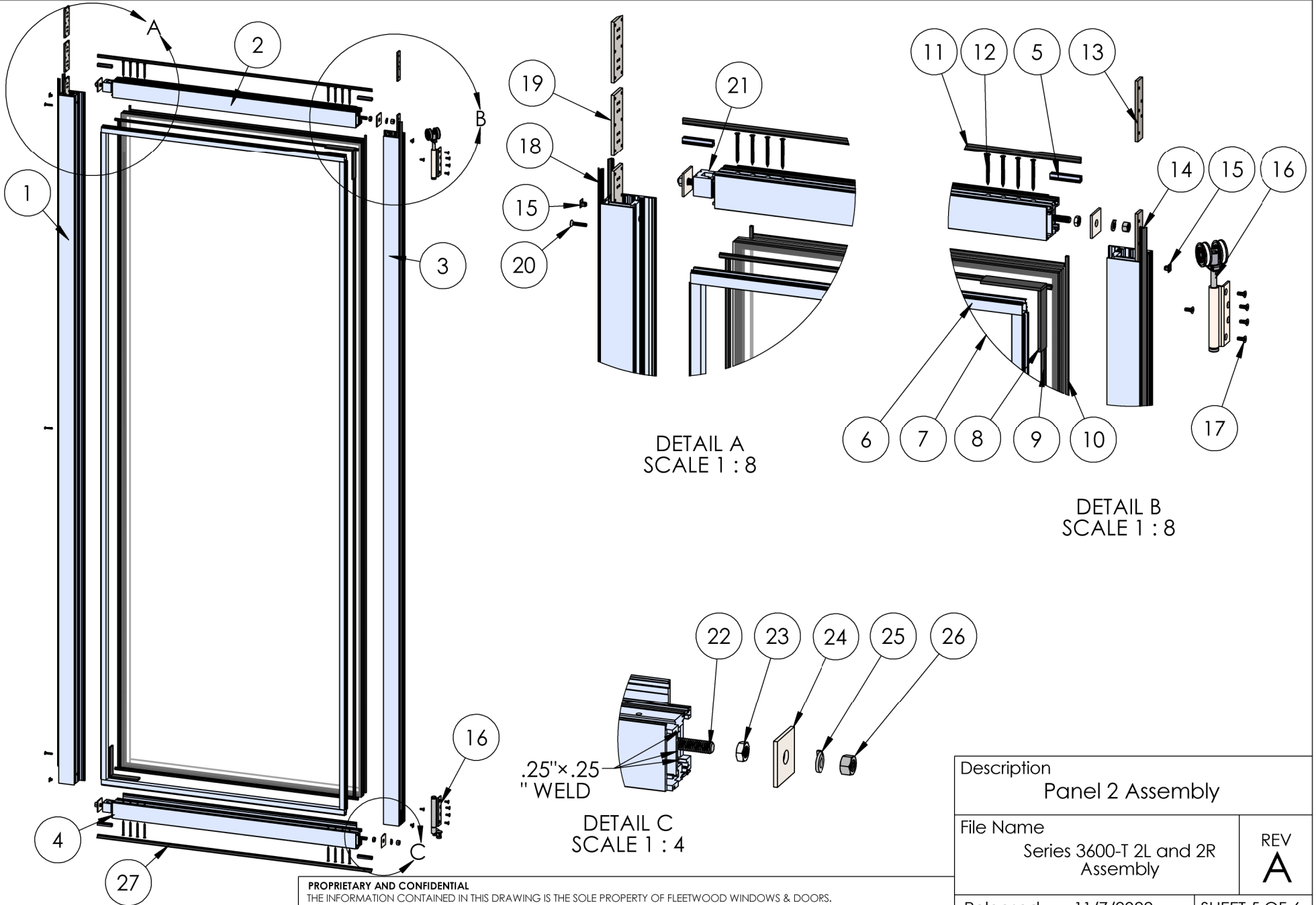
Extrusions				Hardware			
ITEM NO.	PART NUMBER	DESCRIPTION	QTY.	ITEM NO.	PART NUMBER	DESCRIPTION	QTY.
1	3604	Left Stile	1	26	24893	1/4-20 Hex Nut	4
2	3604	Top Rail	1	27	27067	1/4-20 Threaded Rod	2
3	3604	Right Stile	1	28	25059	Q-Lon Foam Seal	1
4	3604	Bottom Rail	1	29	25582	Hinge Back Up Plate	3
5	3916	Seal Clip	4	30	25486,25487	#10-32 FH Torx Screw, 0.5", T25 (SS, Black)	15
6	3907	1" Glass Stop (Shown)	4	31	25638,25639	Pivot Set (S.S., Black)	1
Hardware				32	25640,25641	Jamb Pivot (S.S., Black)	1
ITEM NO.	PART NUMBER	DESCRIPTION	QTY.	33	25646,25647, 25648,25649	Hinge Handle Set (S.S., Black) Hinge Set (in-swing only) (S.S., Black)	1
7	IG Glass	Glass	1	34	25571	Corner Block	4
8	27313	Setting Block 4"x3/16"x1"	4	35	25668	.375-16 Hex Head Cap Screw, 1.625"	4
9	25031	Bulb Vinyl-Large	2	36	25176	.375-16 Stainless Steel Hex Nut, .5625 Wt, .218 Ht	4
10	25199	Mini Bulb Vinyl	4	37	25573	Back up Plate Corner Block	4
11	25058	Q-Lon Foam Seal	1	38	25024	.375 Split Lock Washer	4
12	20258	#8 FHP Screw, 2"	16	39	25023	.375-16 Stainless Steel Hex Nut	4
13	25586	Hinge Back Up Plate	3	40	25683	Foam Seal	1
14	25488,25489	#10-32 FH Torx Screw, 1", T25 (S.S., Black)	24	41	25654	Flush Pull with screws (in-swing only)	1
15	26684	Bottom and Top Clip Cap	4				
16	27055	Shoot Bolt Cap	2				
17	27083	Top Shoot Bolt Guide	1				
18	27084	Bottom Shoot Bolt Guide	1				
19	26916, 26917	#8-32 Torx FH Screw, 1.0 in. (S.S., Black)	2				
20	26914, 26915	#8-32 Torx FH Screw, 0.75 in. (S.S., Black)	2				
21	25656,25657	DPL Non-Locking Handle (S.S., Black)	1				
22	26837	Aluminum Lock Spacer	1				
23	25662	DPL Lock Body	1				
24	27066	M10 to 1/4-20 Thread Adapter	2				
25	25566	Shoot Bolt Rod Guide	3				

PROPRIETARY AND CONFIDENTIAL

THE INFORMATION CONTAINED IN THIS DRAWING IS THE SOLE PROPERTY OF FLEETWOOD WINDOWS & DOORS.
ANY REPRODUCTION IN PART OR AS A WHOLE WITHOUT THE WRITTEN PERMISSION OF FLEETWOOD WINDOWS & DOORS IS PROHIBITED.

Description Panel 1 B.O.M.	
File Name Series 3600-T 2L and 2R Assembly	REV A
Released 11/7/2022	SHEET 4 OF 6

ASSEMBLY / PARTS LIST (B.O.M.)



DETAIL A
SCALE 1 : 8

DETAIL B
SCALE 1 : 8

DETAIL C
SCALE 1 : 4

PROPRIETARY AND CONFIDENTIAL
THE INFORMATION CONTAINED IN THIS DRAWING IS THE SOLE PROPERTY OF FLEETWOOD WINDOWS & DOORS.
ANY REPRODUCTION IN PART OR AS A WHOLE WITHOUT THE WRITTEN PERMISSION OF FLEETWOOD WINDOWS & DOORS IS PROHIBITED.

Description Panel 2 Assembly	
File Name Series 3600-T 2L and 2R Assembly	REV A
Released 11/7/2022	SHEET 5 OF 6

ASSEMBLY / PARTS LIST (B.O.M.)

Extrusions			
ITEM NO.	PART NUMBER	DESCRIPTION	QTY.
1	3604	Left Stile	1
2	3604	Top Rail	1
3	3604	Right Stile	1
4	3604	Bottom Rail	1
5	3916	Seal Clip	4
6	3907	1" Glass Stop (Shown)	4

Hardware			
ITEM NO.	PART NUMBER	DESCRIPTION	QTY.
7	IG Glass	Glass	1
8	27313	Setting Block 4"x3/16"x1"	4
9	25031	Bulb Vinyl-Large	4
10	25199	Mini Bulb Vinyl	4
11	25058	Q-Lon Foam Seal	1
12	20258	#8 FHP Screw, 2"	16
13	25582	Hinge Back Up Plate	2
14	25929	Q-Lon Foam Seal	1
15	26684	Bottom and Top Clip Cap	4
16	25642,25643	End Hanger Top (S.S., Black)	1
17	25486,25487	#10-32 FH Torx Screw, 0.5", T25 (SS, Black)	10
18	25059	Q-Lon Foam Seal	2
19	25586	Hinge Back Up Plate	3
20	25488,25489	#10-32 FH Torx Screw, 1", T25 (S.S., Black)	3
21	25571	Corner Block	4

Hardware			
ITEM NO.	PART NUMBER	DESCRIPTION	QTY.
22	25668	.375-16 Hex Head Cap Screw, 1.625"	4
23	25176	.375-16 Stainless Steel Hex Nut, .5625 Wt, .218 Ht	4
24	25573	Back up Plate Corner Block	4
25	25024	.375 Split Lock Washer	4
26	25023	.375-16 Stainless Steel Hex Nut	4
27	25683	Foam Seal	1

Description Panel 2 B.O.M.	
File Name Series 3600-T 2L and 2R Assembly	REV A
Released 11/7/2022	SHEET 6 OF 6