

ASSEMBLY / PARTS LIST (B.O.M.)

Series: 330-T
 Type: XO Configuration

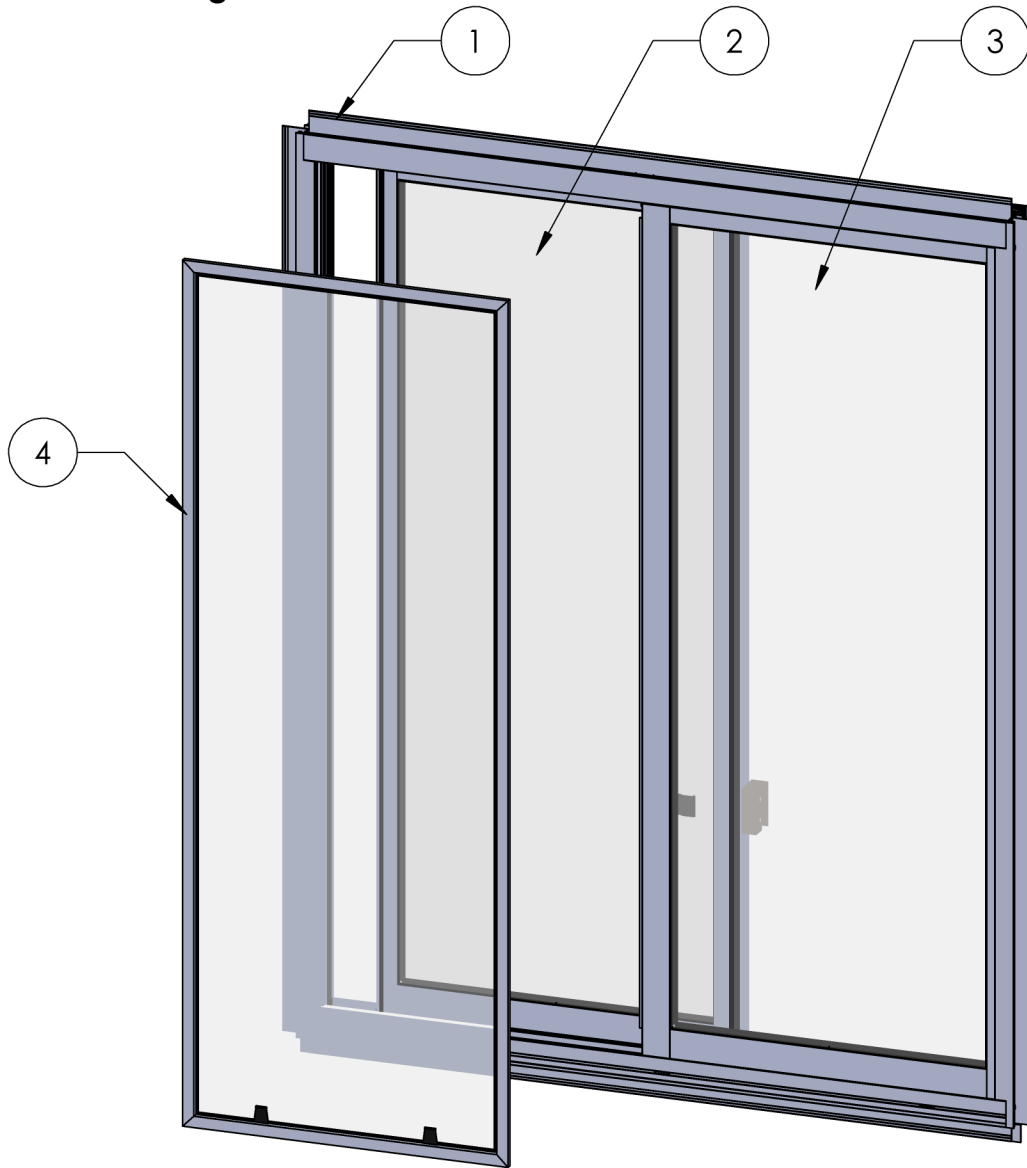
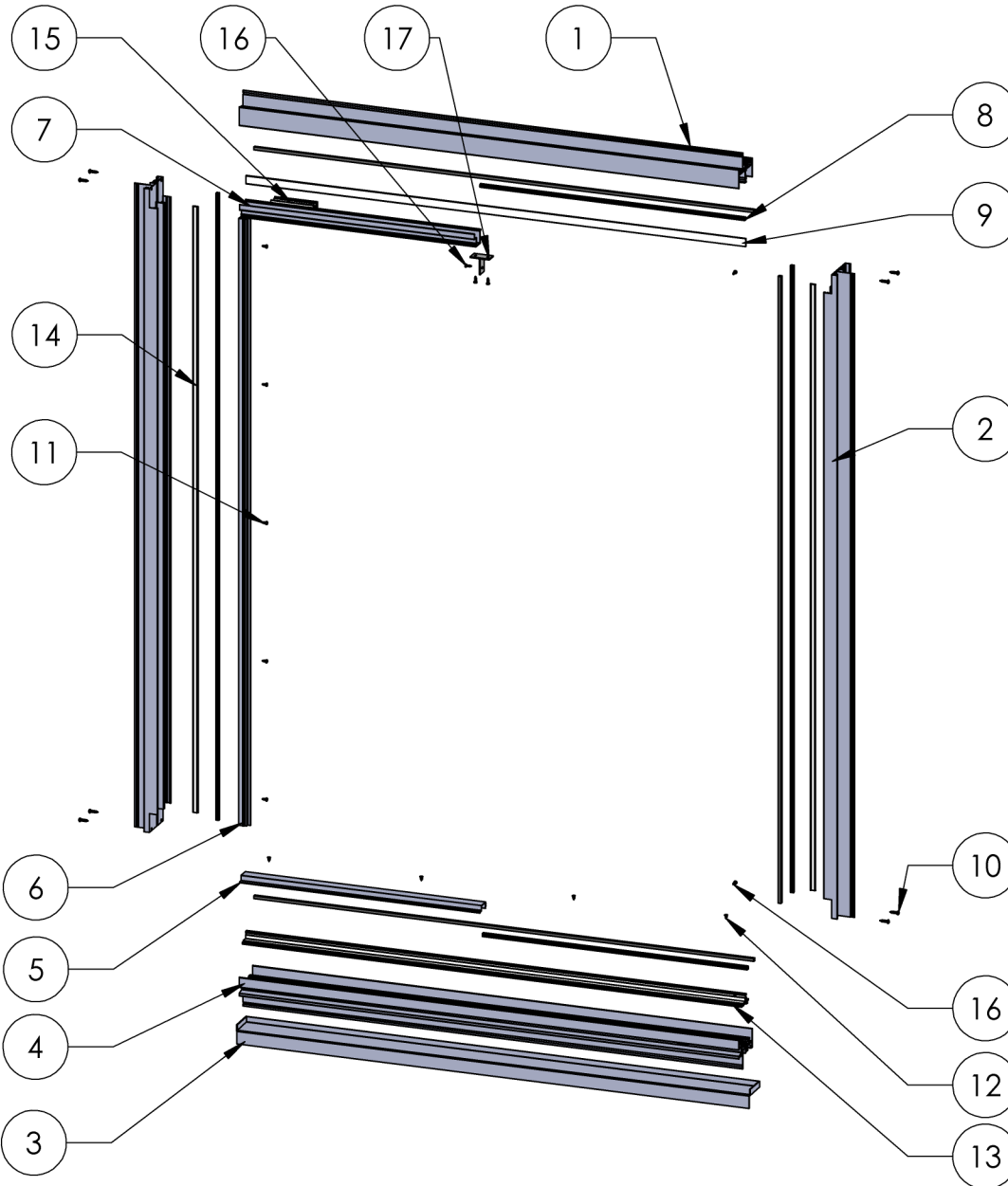


TABLE OF CONTENTS

ITEM NO.	DESCRIPTION	QTY.	PAGE #
1	Frame Assembly	1	2
2	X Panel Assembly	1	3
3	O Panel Assembly	1	4
4	Screen Assembly	1	5

Description Table of Contents	
File Name Series 330-T XO Assembly	REV C
Released 7/16/2025	SHEET 1 OF 5

ASSEMBLY / PARTS LIST (B.O.M.)



EXTRUSIONS

ITEM NO.	PART NUMBER	DESCRIPTION	QTY.
1	5309	Nail-on Head	1
2	5301	Nail-on Jamb	2
3	SPN530N	Nailfin Sill Pan	1
4	5343	Nail-on Sill	1
5	5311	Sill Filler/Closer	1
6	5390	Screen Adapter (Slider Jamb)	1
7	5391	Head Filler	1

HARDWARE

ITEM NO.	PART NUMBER	DESCRIPTION	QTY.
8	19118	Small Fin Seal Mohair	5
9	19095	PVC Head Filler (BL1265)	1
10	20314	#8 PHP-A Screw, .75 in, SS, Clear	8
11	20225	#6 PHP-TEK, .375, SS, Clear	Varies
12	20901	#6 X 3/8" UC FHS	Varies
13	19092	PVC Sill Center	1
14	22913	PVC Jamb Isolator	2
15	22918	Anti-Lift/Fix Pan Guide (BL1397)	1
16	20228, 20229	#6 PHP-TEK, .5 in. (S.S., Black)	5
17	25766, 25767	T-Clip, (Clear, Black)	1

Description
Frame Assembly

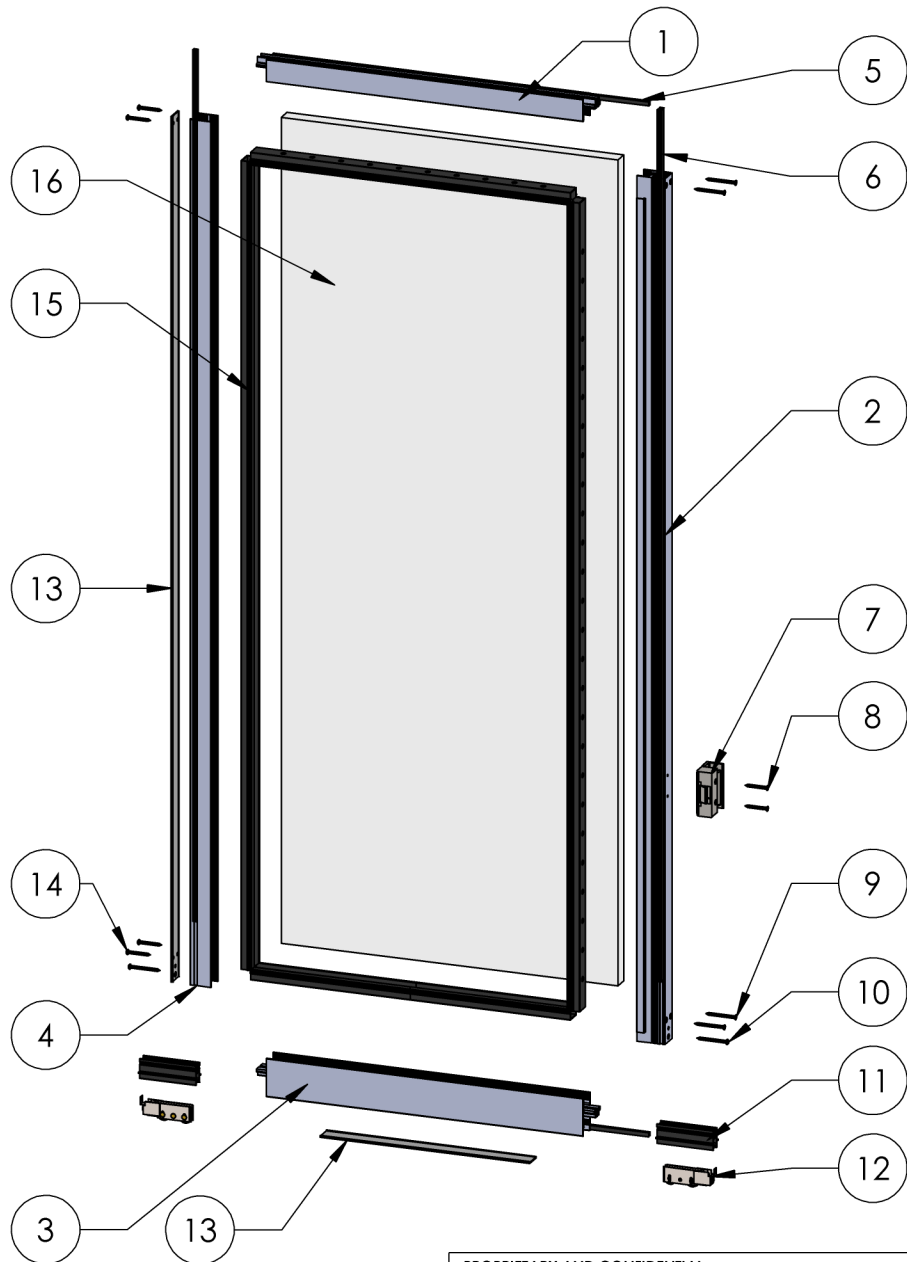
File Name
Series 330-T XO Assembly

REV
C

Released 7/16/2025

SHEET 2 OF 5

ASSEMBLY / PARTS LIST (B.O.M.)



EXTRUSIONS

ITEM NO.	PART NUMBER	DESCRIPTION	QTY.
1	5348	Top Rail DG	1
2	5371	Sliding Interlock DG	1
3	5349	Bottom Rail DG	1
4	5338	Lead Stile DG	1

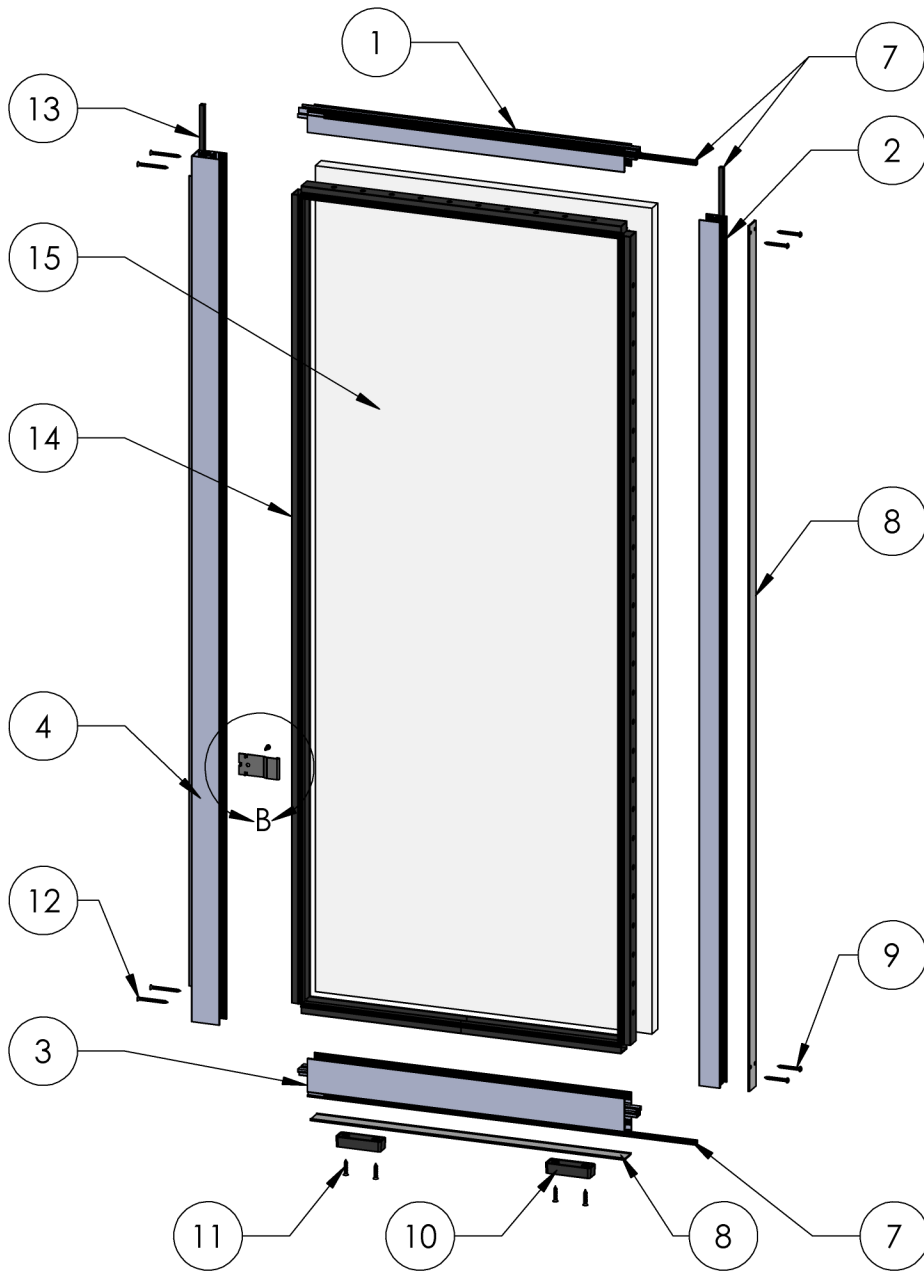
HARDWARE

ITEM NO.	PART NUMBER	DESCRIPTION	QTY.
5	19118	Fin Seal Mohair (23027045BKQB)	3
6	19118	Fin Seal Mohair (50027045BKGB)	1
7	24636	Archetype Window Latch	1
8	20252, 20253	#8 FHP Screw, 1.5 in. (S.S., Black)	2
9	20258, 20256	#8 FHP Screw, 2.0 in. (S.S., Black)	4
10	20326, 20327	#8 PHP - A, 2.0", SS, (Clear, Black)	2
11	22898	Roller Insert	2
12	18894	Tandem Nylon Roller	2
13	19113	PVC Spreader Bar	2
14	20324	#8 PHP - A, 1.5 in. (Black)	4
15	19056	1 in. Glazing Vinyl (BL 325)	1
16	-	Glass	1

Description X Panel Assembly	
File Name Series 330-T XO Assembly	REV C
Released 7/16/2025	SHEET 3 OF 5

PROPRIETARY AND CONFIDENTIAL
THE INFORMATION CONTAINED IN THIS DRAWING IS THE SOLE PROPERTY OF FLEETWOOD WINDOWS & DOORS.
ANY REPRODUCTION IN PART OR AS A WHOLE WITHOUT THE WRITTEN PERMISSION OF FLEETWOOD WINDOWS & DOORS IS PROHIBITED.

ASSEMBLY / PARTS LIST (B.O.M.)

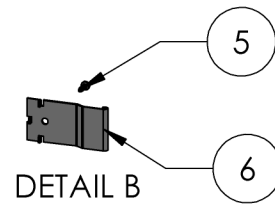


EXTRUSIONS

ITEM NO.	PART NUMBER	DESCRIPTION	QTY.
1	5348	Top Rail DG	1
2	5338	Lead Stile DG	1
3	5349	Bottom Rail DG	1
4	5370	Fixed Interlock DG	1

HARDWARE

ITEM NO.	PART NUMBER	DESCRIPTION	QTY.
5	20228, 20229	#6 PHP-TEK, .5 in. (S.S., Black)	1
6	24106	Aspen Strike Plate (Keeper)	1
7	19118	Weather Strip 23027045BKQB	3
8	19113	PVC Spreader Bar	2
9	20324	#8 PHP - A, 1.5 in. (Black)	4
10	25386	Fix Panel Block	2
11	20248	#8 FHP - A, 1", SS, Black	4
12	20258, 20256	#8 FHP Screw, 2.0 in. (S.S., Black)	4
13	19117	Fin Seal Mohair (23027045BKGB)	1
14	19056	1 in. Glazing Vinyl (BL 325)	1
15	-	Glass	1



Description
O Panel Assembly

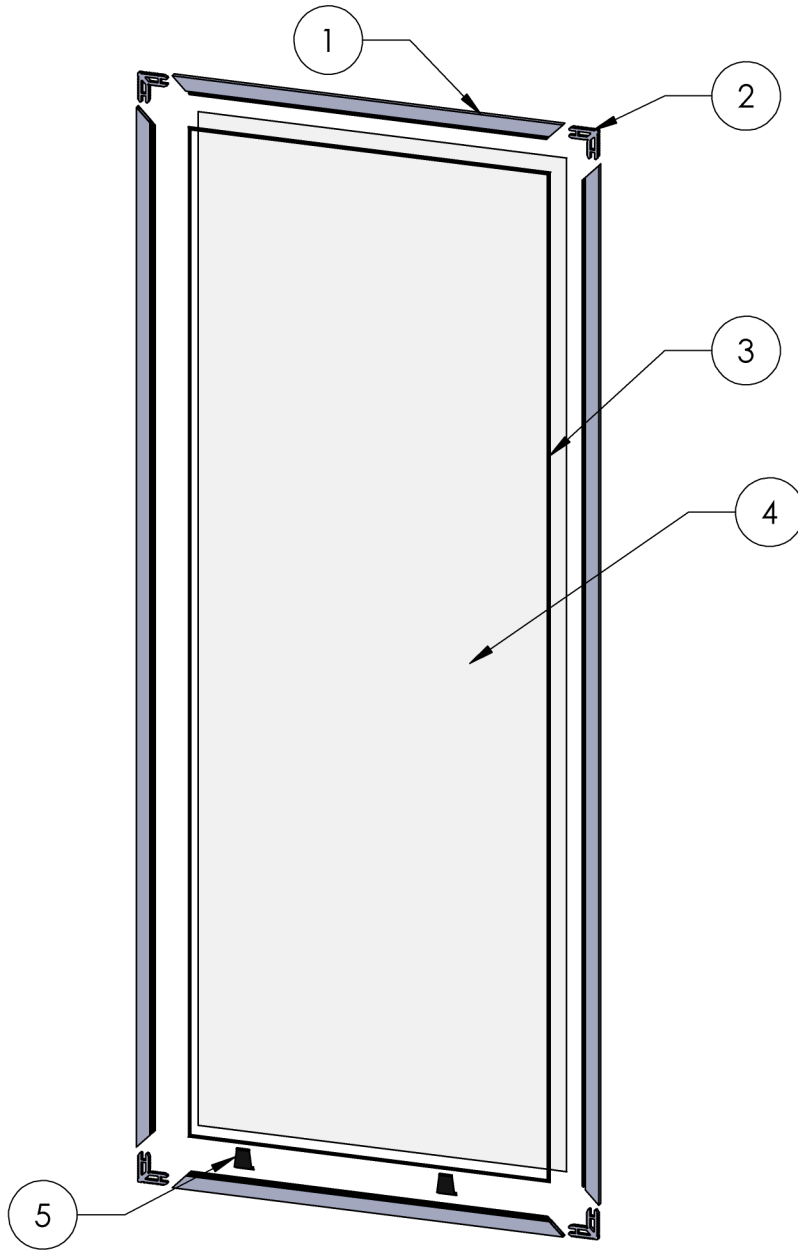
File Name
Series 330-T XO Assembly

REV
C

Released 7/16/2025

SHEET 4 OF 5

ASSEMBLY / PARTS LIST (B.O.M.)



EXTRUSIONS			
ITEM NO.	PART NUMBER	DESCRIPTION	QTY.
1	114FF	5/16" Screen Frame	4
HARDWARE			
ITEM NO.	PART NUMBER	DESCRIPTION	QTY.
2	27129	Screen Corner Key	4
3	19127	Screen Spline .150	1
4	-	Ultra VUE Screen Mesh	1
5	25495	Screen Tab	2

Description Screen Assembly	
File Name Series 330-T XO Assembly	REV C
Released 7/16/2025	SHEET 5 OF 5

PROPRIETARY AND CONFIDENTIAL
 THE INFORMATION CONTAINED IN THIS DRAWING IS THE SOLE PROPERTY OF FLEETWOOD WINDOWS & DOORS.
 ANY REPRODUCTION IN PART OR AS A WHOLE WITHOUT THE WRITTEN PERMISSION OF FLEETWOOD WINDOWS & DOORS IS PROHIBITED.