

# ASSEMBLY / PARTS LIST (B.O.M.)

**Series: 3200-T**  
**Type: OH Configuration**

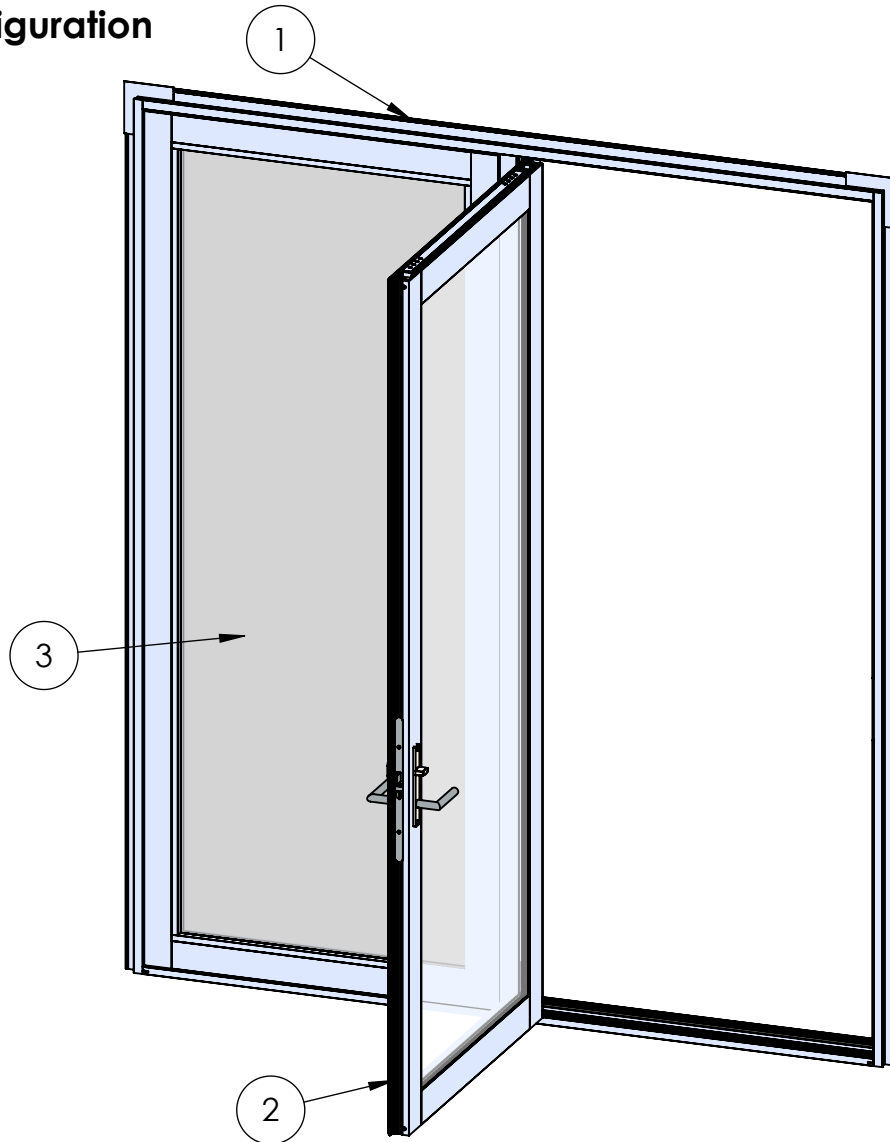


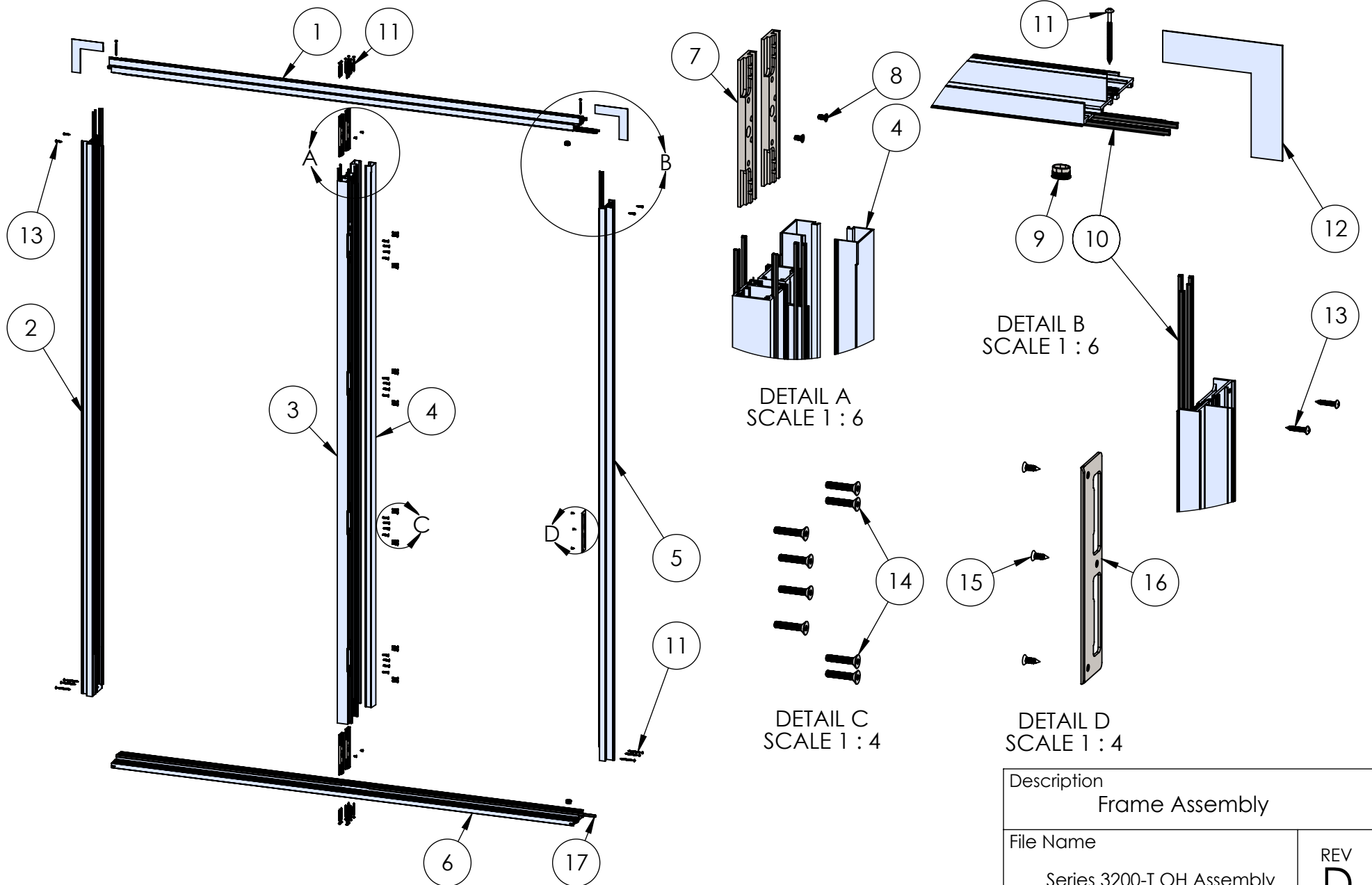
TABLE OF CONTENTS			
ITEM NO.	DESCRIPTION	QTY.	PAGE #
1	Frame Assembly	1	2-3
2	Active Panel Assembly	1	4-5
3	Fixed Panel Assembly	1	6-7
4	Tables	1	8

Out-Swing,  
Hinge Left  
Door Shown

**PROPRIETARY AND CONFIDENTIAL**  
THE INFORMATION CONTAINED IN THIS DRAWING IS THE SOLE PROPERTY OF FLEETWOOD WINDOWS & DOORS.  
ANY REPRODUCTION IN PART OR AS A WHOLE WITHOUT THE WRITTEN PERMISSION OF FLEETWOOD WINDOWS & DOORS IS PROHIBITED.

Description Table of Contents	
File Name Series 3200-T OH Assembly	REV <b>D</b>
Released 2/16/2026	SHEET 1 OF 8

# ASSEMBLY / PARTS LIST (B.O.M.)



**PROPRIETARY AND CONFIDENTIAL**  
THE INFORMATION CONTAINED IN THIS DRAWING IS THE SOLE PROPERTY OF FLEETWOOD WINDOWS & DOORS.  
ANY REPRODUCTION IN PART OR AS A WHOLE WITHOUT THE WRITTEN PERMISSION OF FLEETWOOD WINDOWS & DOORS IS PROHIBITED.

Description Frame Assembly	
File Name Series 3200-T OH Assembly	REV D
Released 2/16/2026	SHEET 2 OF 8

# ASSEMBLY / PARTS LIST (B.O.M.)

## EXTRUSIONS

ITEM NO.	PART NUMBER	DESCRIPTION	QTY.
1	3207,3208,3209	Head (Block, Out-Swing, In-Swing)	1
2	3207,3208,3209	Left Jamb (Block, Out-Swing, In-Swing)	1
3	3913	Frame Mullion	1
4	3912	Snap-in	2
5	3207,3208,3209	Right Jamb (Block, Out-Swing, In-Swing)	1
6	3202,3904,3510	Sill (Out-Swing, In-Swing, 1/2" Sill)	1

## HARDWARE

ITEM NO.	PART NUMBER	DESCRIPTION	QTY.
7	25680	Hinge Back Up Plate Spacer - TDL	4
8	20266	#10-32 FHP-B-UC, .375", SS, Clear	4
9	27460	Oval Shootbolt Cup	2
10	25190	Q-Lon Foam Seal (0.250 x 0.190)	28
11	25075	#10 PHP-A, 2.5", SS, Clear	24
12	18629	Metal Corner w/ Double sided tape	2
13	20350	#10 PHP-A, 1", SS, Clear	4
14	25488, 25489	#10-32 FH Torx Screw, 1", SS (CLR, BLK)	32
15	20240	#8 FHP-A-UC, 0.5", SS, Clear	3
16	27528	Latch/Deadbolt Strike Plate SS (Modified 24993)	1
17	25059	Q-Lon Foam Seal (QEZ 376)	2

Description  
Frame Assembly B.O.M.

File Name  
Series 3200-T OH Assembly

REV  
**D**

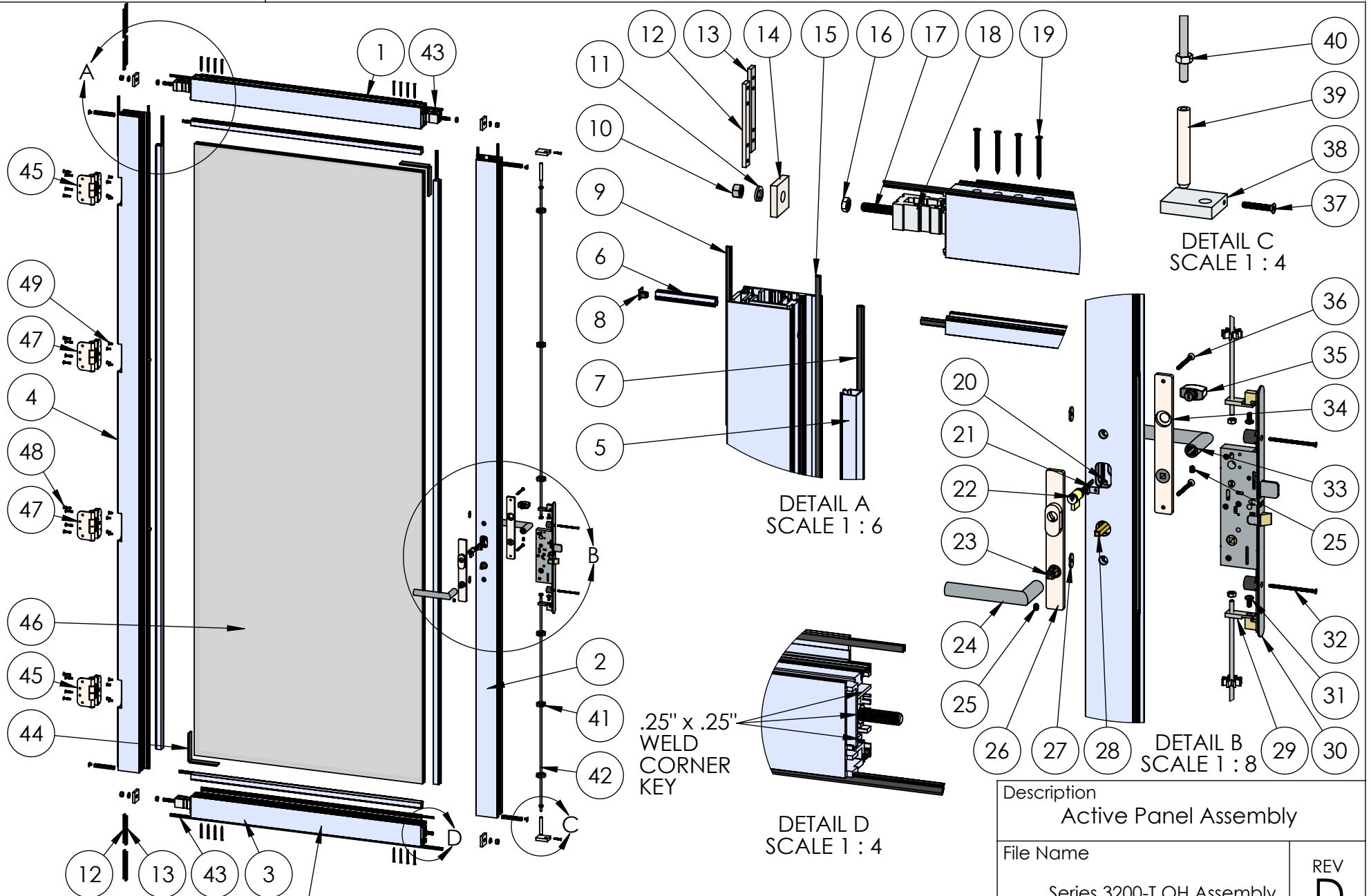
**PROPRIETARY AND CONFIDENTIAL**

THE INFORMATION CONTAINED IN THIS DRAWING IS THE SOLE PROPERTY OF FLEETWOOD WINDOWS & DOORS.  
ANY REPRODUCTION IN PART OR AS A WHOLE WITHOUT THE WRITTEN PERMISSION OF FLEETWOOD WINDOWS & DOORS IS PROHIBITED.

Released 2/16/2026

SHEET 3 OF 8

# ASSEMBLY / PARTS LIST (B.O.M.)



NOTE: If 1/2" Sill Comp.  
#23229 bottom seal only

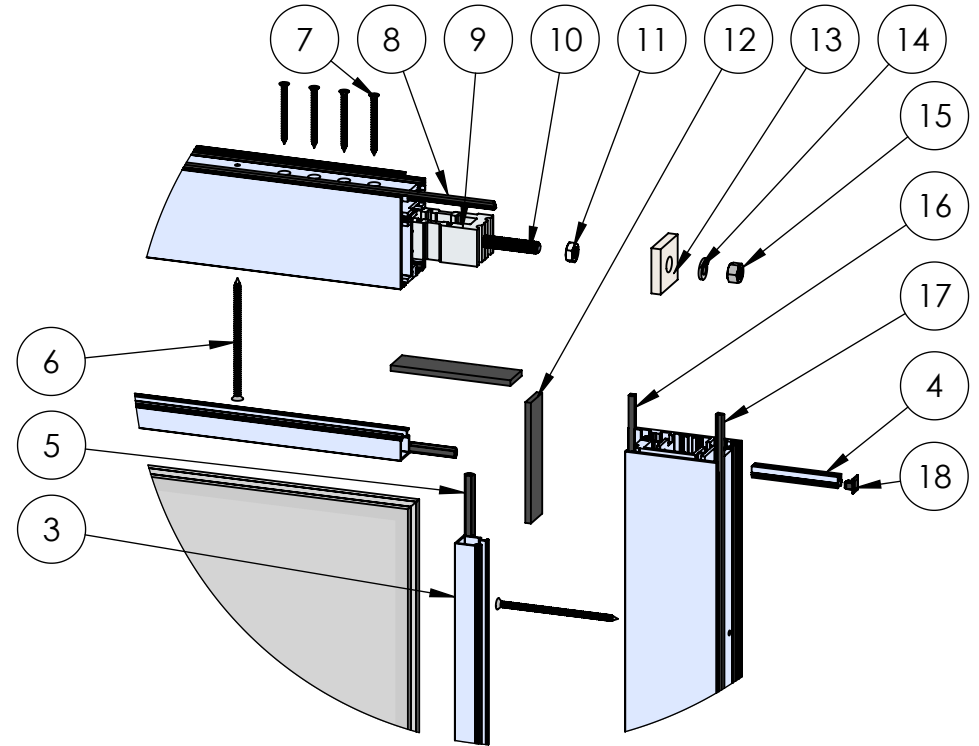
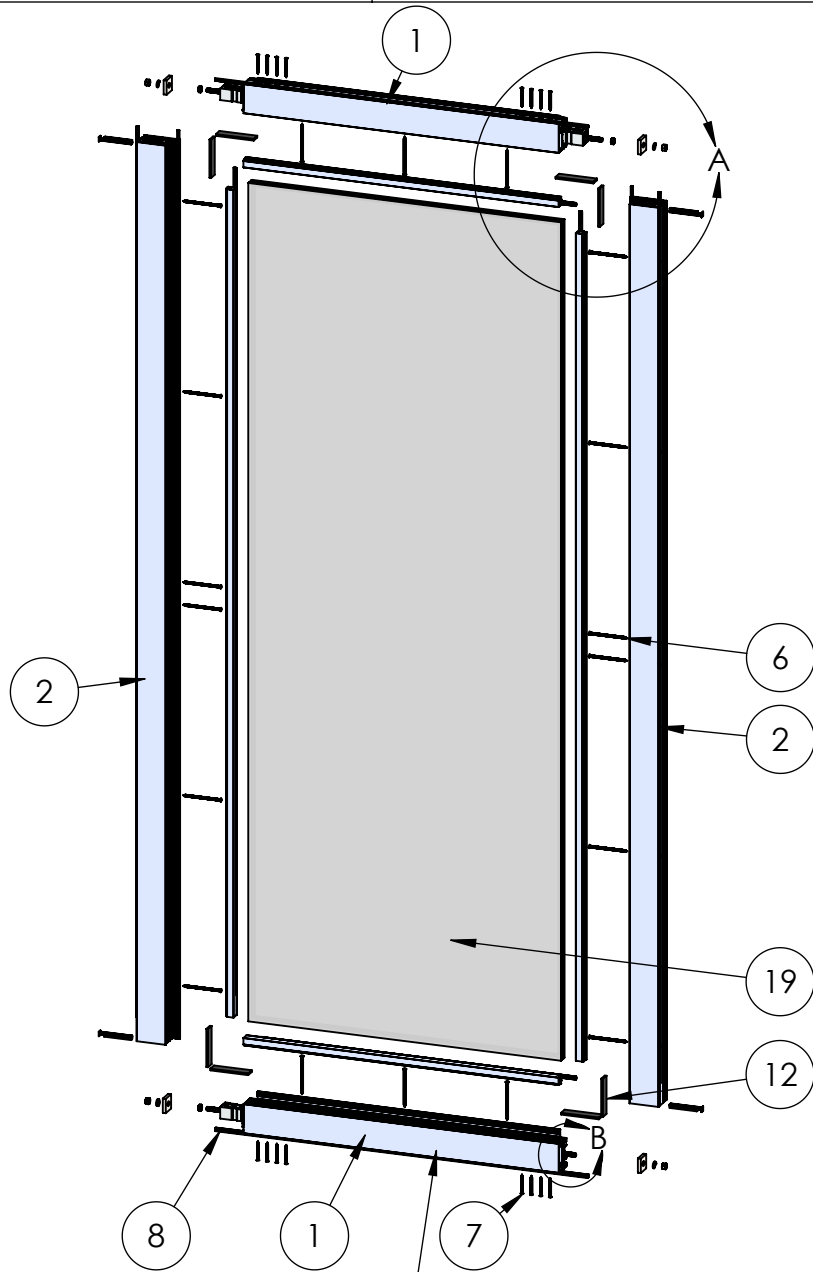
**PROPRIETARY AND CONFIDENTIAL**  
THE INFORMATION CONTAINED IN THIS DRAWING IS THE SOLE PROPERTY OF FLEETWOOD WINDOWS & DOORS.  
ANY REPRODUCTION IN PART OR AS A WHOLE WITHOUT THE WRITTEN PERMISSION OF FLEETWOOD WINDOWS & DOORS IS PROHIBITED.

Description	
Active Panel Assembly	
File Name	REV
Series 3200-T OH Assembly	<b>D</b>
Released	SHEET 4 OF 8
2/16/2026	

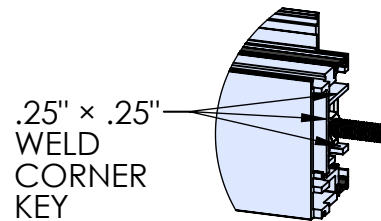
# ASSEMBLY / PARTS LIST (B.O.M.)

EXTRUSIONS				HARDWARE			
ITEM NO.	PART NUMBER	DESCRIPTION	QTY.	ITEM NO.	PART NUMBER	DESCRIPTION	QTY.
1	3203	Top Rail	1	27	27246	Low-Profile Narrow-Base Weld Nut	2
2	3204	Lock Stile	1	28	26195	Spindle	1
3	3203	Bottom Rail	1	29	27077	Shoot Bolt Adapter	2
4	3203	Hinge Stile	1	30	27389	Active 3-Point Lock	1
5	See Table A	Glass Stop	4	31	20357	#1/4-20 PHP-B, 1/2", SS, Clear	2
6	3916	Seal Clip	4	32	27536	#8-32 FH Torx, 3.00", SS, Clear	2
HARDWARE				33	26189, 26191	FSB_1076 Lever RH (SS, BLK)	1
ITEM NO.	PART NUMBER	DESCRIPTION	QTY.	34	27393, 27395	Escutcheon-Active Interior (SS, BLK)	1
7	27685	Medium Bulb Vinyl	4	35	27396, 27397	FSB Thumbturn Only (Satin, Black)	1
8	26684	Bottom and Top Clip Cap	4	36	27531, 27532	#10-32 FH Torx Screw, 2.25", SS (CLR, BLK)	2
9	25190	Q-Lon Foam Seal (0.250 x 0.190)	6	37	26916, 27071	#8-32 Torx FH Screw, 1"/1.125" (CLR, BLK)	2
10	25023	3/8-16 SS Hex Nut, 21/64"	4	38	25205	Shoot Bolt Guide	2
11	25024	3/8" Split Lock Washer	4	39	27055	Shoot Bolt Cap	2
12	25195	Hinge Exterior Back Up Plate-Panel	4	40	24893	1/4-20 Hex Nut	4
13	25194	Hinge Interior Back Up Plate-Panel	4	41	25566	Shoot Bolt Rod Guide (Spider)	6
14	25025	Back up Plate Corner Block	4	42	27067	1/4-20 Threaded Rod, 18-8 SS, Cut to size	2
15	25199	Mini Bulb Vinyl	4	43	25196	Q-Lon Foam Seal, 32390	2
16	25176	3/8-16 SS Hex Nut, 7/32"	4	44	27313	Setting Block 3/16" x 1" x 4" with adhesive	4
17	27668	3/8-16 Hex Head Cap Screw, 1.875"	4	45	25231, 25235	Adjustable Hinge, Horizontal LH (Satin Nickel, Black)	2
18	25201	Corner Block	4	46	-	Glass	1
19	20256, 20258	#8 FHP-A, 2" SS (BLK, CLR)	16	47	25233, 25237	Adjustable Hinge, Vertical Set LH (Satin Nickel, Black)	2
20	27137	M4 x 0.70 mm Thread, 20mm Long	1	48	25488, 25489	#10-32 FH Torx Screw, 1", SS (CLR, BLK)	16
21	25187	L-Clip (Cylinder Retainer)	1	49	25486, 25487	#10-32 FH Torx Screw, 0.5", SS (CLR, BLK)	16
22	25063	Rim Cylinder	1	Description Active Panel B.O.M.			
23	26212	Bushing/Adaptor for FSB Lever/Escutcheon Plate	2				
24	26190, 26192	FSB_1076 Lever LH (SS, BLK)	1	File Name Series 3200-T OH Assembly			
25	26318	Cup-Point Set Screw M6, 8mm, SS (CLR)	2				
26	27392, 27394	Escutcheon-Active Exterior (SS, BLK)	1	REV D			
<b>PROPRIETARY AND CONFIDENTIAL</b> THE INFORMATION CONTAINED IN THIS DRAWING IS THE SOLE PROPERTY OF FLEETWOOD WINDOWS & DOORS. ANY REPRODUCTION IN PART OR AS A WHOLE WITHOUT THE WRITTEN PERMISSION OF FLEETWOOD WINDOWS & DOORS IS PROHIBITED.							

# ASSEMBLY / PARTS LIST (B.O.M.)



DETAIL A  
SCALE 1 : 6



DETAIL B  
SCALE 1 : 4

NOTE: If ADA Door Comp.  
#23229 bottom seal only

**PROPRIETARY AND CONFIDENTIAL**  
THE INFORMATION CONTAINED IN THIS DRAWING IS THE SOLE PROPERTY OF FLEETWOOD WINDOWS & DOORS.  
ANY REPRODUCTION IN PART OR AS A WHOLE WITHOUT THE WRITTEN PERMISSION OF FLEETWOOD WINDOWS & DOORS IS PROHIBITED.

Description Fixed Panel Assembly	
File Name Series 3200-T OH Assembly	REV D
Released 2/16/2026	SHEET 6 OF 8

# ASSEMBLY / PARTS LIST (B.O.M.)

## EXTRUSIONS

ITEM NO.	PART NUMBER	DESCRIPTION	QTY.
1	3203	Top/Bottom Rail	2
2	3203	Fixed Stile	2
3	See Table A	Glass Stop	4
4	3916	Seal Clip	4

## HARDWARE

ITEM NO.	PART NUMBER	DESCRIPTION	QTY.
5	27685	Medium Bulb Vinyl	4
6	20303	#10 FHP-A, 4", SS, Clear	18
7	20256, 20258	#8 FHP-A, 2" SS (BLK, CLR)	16
8	25196	Q-Lon Foam Seal, 32390	2
9	25201	Corner Block	4
10	27668	3/8-16 Hex Head Cap Screw, 1.875"	4
11	25176	3/8-16 SS Hex Nut, 7/32"	4
12	27313	Setting Block 3/16" x 1" x 4" with adhesive	8
13	25025	Back up Plate Corner Block	4
14	25024	3/8" Split Lock Washer	4
15	25023	.375-16 Stainless Steel Hex Nut	4
16	25199	Bulb Vinyl Mini	4
17	25190	Q-Lon Foam Seal, .250 x .190	2
18	26684	Bottom and Top Clip Cap	4
19	-	Glass	1

Description  
Fixed Panel B.O.M.

File Name  
Series 3200-T OH Assembly

REV  
**D**

**PROPRIETARY AND CONFIDENTIAL**

THE INFORMATION CONTAINED IN THIS DRAWING IS THE SOLE PROPERTY OF FLEETWOOD WINDOWS & DOORS.  
ANY REPRODUCTION IN PART OR AS A WHOLE WITHOUT THE WRITTEN PERMISSION OF FLEETWOOD WINDOWS & DOORS IS PROHIBITED.

Released 2/16/2026

SHEET 7 OF 8

# ASSEMBLY / PARTS LIST (B.O.M.)

TABLE A: Glass Stop Options	
Glass Thickness	ID
9/16"	3924
1"	3907
1-1/4"	4735
1-1/2"	4736

Description	
Tables	
File Name	REV
Series 3200-T OH Assembly	<b>D</b>
Released	SHEET 8 OF 8
2/16/2026	