

ASSEMBLY / PARTS LIST (B.O.M.)

Series: 3200-T
Type: H Configuration with Arche-duct and Electronic Latch

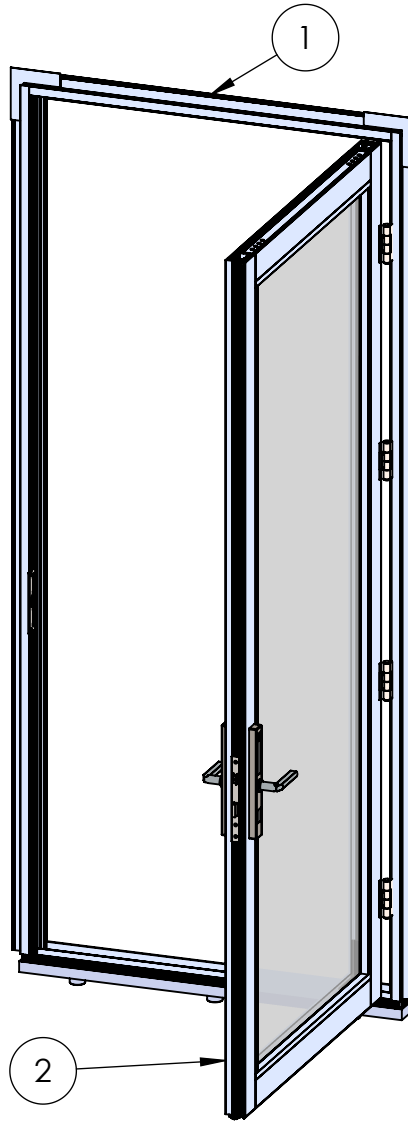


TABLE OF CONTENTS

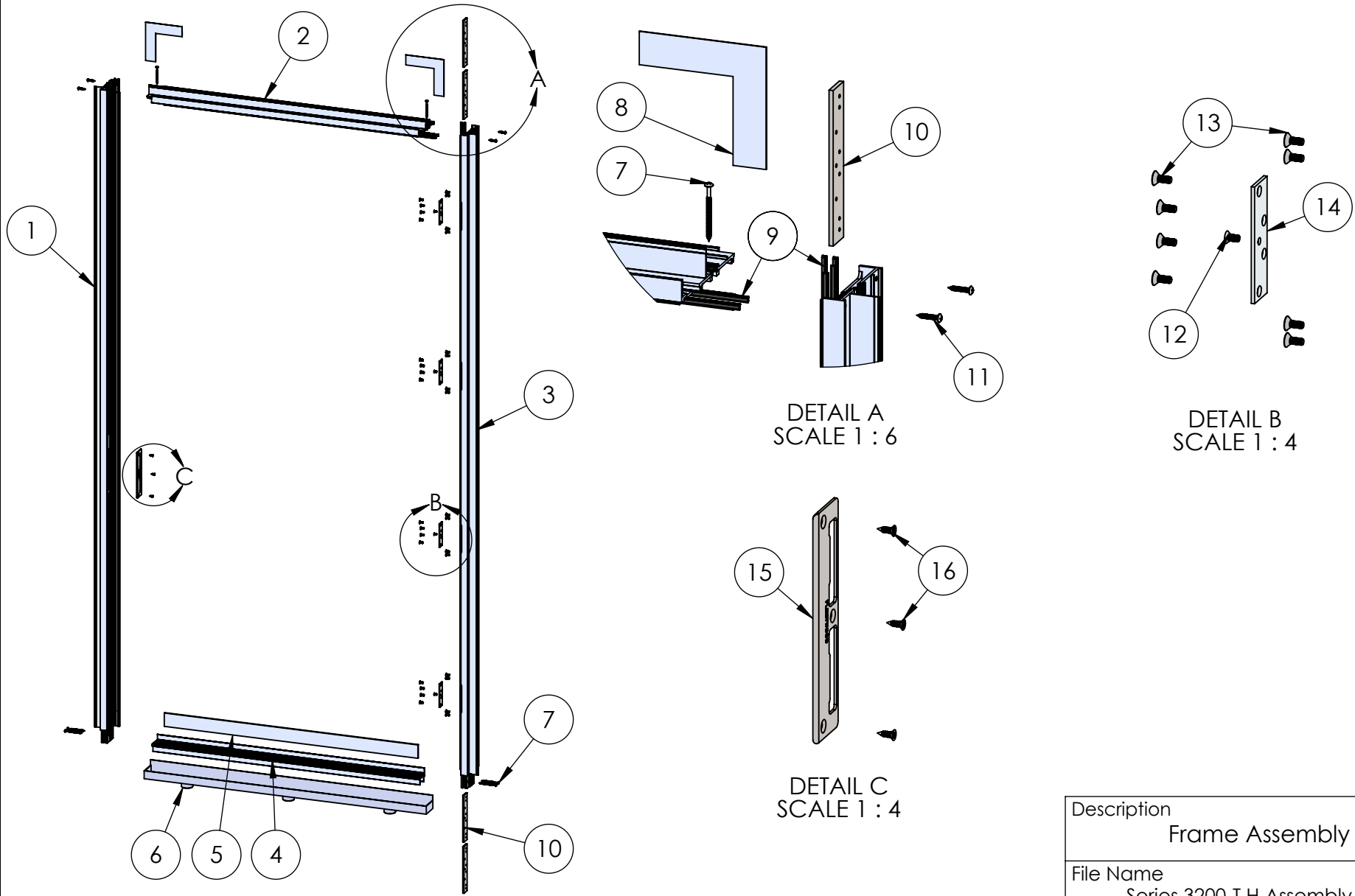
ITEM NO.	DESCRIPTION	QTY.	PAGE #
1	Frame Assembly	1	2-3
2	Active Panel Assembly	1	4-5
3	Tables	1	6

Out-Swing
 Right Hinge
 Door Shown

Description Table of Contents	
File Name Series 3200-T H Assembly with Arche-duct and Electronic Latch	REV B
Released 2/16/2026	SHEET 1 OF 6

PROPRIETARY AND CONFIDENTIAL
 THE INFORMATION CONTAINED IN THIS DRAWING IS THE SOLE PROPERTY OF FLEETWOOD WINDOWS & DOORS.
 ANY REPRODUCTION IN PART OR AS A WHOLE WITHOUT THE WRITTEN PERMISSION OF FLEETWOOD WINDOWS & DOORS IS PROHIBITED.

ASSEMBLY / PARTS LIST (B.O.M.)



PROPRIETARY AND CONFIDENTIAL
 THE INFORMATION CONTAINED IN THIS DRAWING IS THE SOLE PROPERTY OF FLEETWOOD WINDOWS & DOORS.
 ANY REPRODUCTION IN PART OR AS A WHOLE WITHOUT THE WRITTEN PERMISSION OF FLEETWOOD WINDOWS & DOORS IS PROHIBITED.

Description Frame Assembly	
File Name Series 3200-T H Assembly with Arche-duct and Electronic Latch	REV B
Released 2/16/2026	SHEET 2 OF 6

ASSEMBLY / PARTS LIST (B.O.M.)

EXTRUSIONS

ITEM NO.	PART NUMBER	DESCRIPTION	QTY.
1	3207, 3208, 3209	Lock Jamb (Block, Out-Swing, In-Swing)	1
2	3207, 3208, 3209	Head (Block, Out-Swing, In-Swing)	1
3	3207, 3208, 3209	Hinge Jamb (Block, Out-Swing, In-Swing)	1
4	4411	Arche-Duct Sill	1
5	FW27745	2" Arche Duct Water Slot Spacer - PVC, Orange	1

HARDWARE

ITEM NO.	PART NUMBER	DESCRIPTION	QTY.
6	-	Arche-Duct	1
7	25075	#10 PHP-A, 2.5", SS, Clear	6
8	18629	Metal Corner w/ Double sided tape	2
9	25190	Q-Lon Foam Seal (0.250 x 0.190)	18
10	25192	Hinge Back Up Plate-Frame	4
11	20350	#10 PHP-A, 1", SS, Clear	4
12	20266	#10-32 FHP-B-UC, .375", SS, Clear	4
13	25486, 25487	#10-32 FH Torx Screw, 0.5", SS (CLR, BLK)	32
14	25202	Hinge Back Up Plate Spacer -Frame	4
15	27528	Latch/Deadbolt Strike Plate SS (Modified 24993)	1
16	20240	#8 FHP-A-UC, 0.5", SS, Clear	3

Description
Frame Assembly B.O.M.

File Name
Series 3200-T H Assembly
with Arche-duct and
Electronic Latch

REV
B

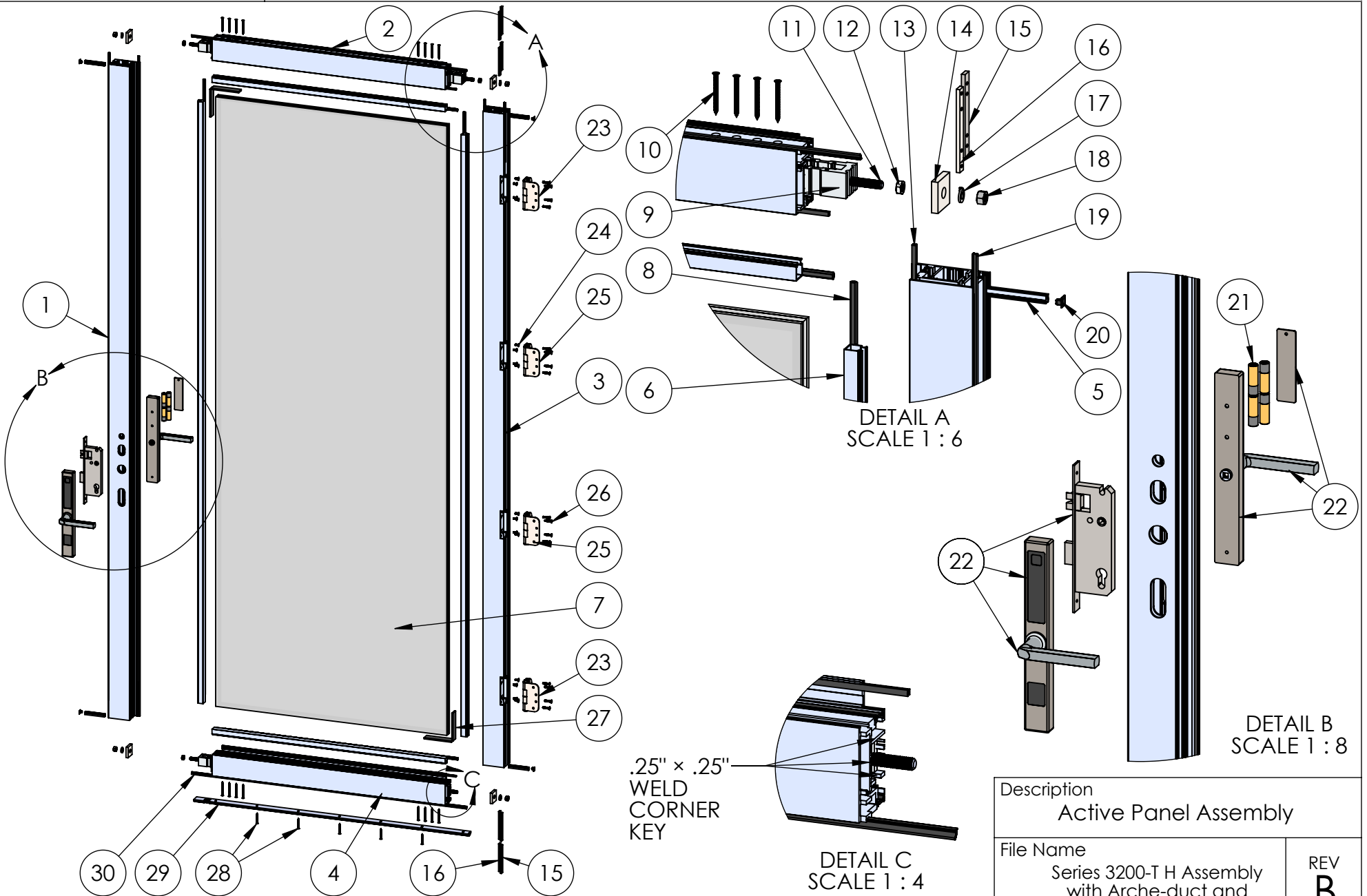
PROPRIETARY AND CONFIDENTIAL

THE INFORMATION CONTAINED IN THIS DRAWING IS THE SOLE PROPERTY OF FLEETWOOD WINDOWS & DOORS.
ANY REPRODUCTION IN PART OR AS A WHOLE WITHOUT THE WRITTEN PERMISSION OF FLEETWOOD WINDOWS & DOORS IS PROHIBITED.

Released 2/16/2026

SHEET 3 OF 6

ASSEMBLY / PARTS LIST (B.O.M.)



PROPRIETARY AND CONFIDENTIAL
THE INFORMATION CONTAINED IN THIS DRAWING IS THE SOLE PROPERTY OF FLEETWOOD WINDOWS & DOORS.
ANY REPRODUCTION IN PART OR AS A WHOLE WITHOUT THE WRITTEN PERMISSION OF FLEETWOOD WINDOWS & DOORS IS PROHIBITED.

Description Active Panel Assembly	
File Name Series 3200-T H Assembly with Arche-duct and Electronic Latch	REV B
Released	2/16/2026
SHEET 4 OF 6	

ASSEMBLY / PARTS LIST (B.O.M.)

EXTRUSIONS				HARDWARE			
ITEM NO.	PART NUMBER	DESCRIPTION	QTY.	ITEM NO.	PART NUMBER	DESCRIPTION	QTY.
1	3204	Lock Stile	1	23	25232, 25236	Adjustable Hinge, Horizontal RH (Satin Nickel, Black)	2
2	3203	Top Rail	1	24	25486, 25487	#10-32 FH Torx Screw, 0.5", SS (CLR, BLK)	16
3	3203	Hinge Stile	1	25	25234, 25238	Adjustable Hinge, Vertical Set RH (CLR, BLK)	2
4	3203	Bottom Rail	1	26	25488, 25489	#10-32 FH Torx Screw, 1", SS (CLR, BLK)	16
5	3916	Seal Clip	4	27	27313	Setting Block 3/16" x 1" x 4" with adhesive	4
6	See Table A	Glass Stop	4	28	20252	#8 FHP Screw, 1.50"	5
HARDWARE				29	23229	Door Sweep 48" ADA Sill Black	1
ITEM NO.	PART NUMBER	DESCRIPTION	QTY.	30	25196	Q-Lon Foam Seal, 32390	2
7	-	Glass	1				
8	27685	Medium Bulb Vinyl	4				
9	25201	Corner Block	4				
10	20256, 20258	#8 FHP-A, 2" SS (BLK, CLR)	16				
11	27668	3/8-16 Hex Head Cap Screw, 1.875"	4				
12	25176	3/8-16 SS Hex Nut, 7/32"	4				
13	25199	Mini Bulb Vinyl	4				
14	25025	Back up Plate Corner Block	4				
15	25194	Hinge Interior Back Up Plate-Panel	4				
16	25195	Hinge Exterior Back Up Plate-Panel	4				
17	25024	3/8" Split Lock Washer	4				
18	25023	3/8-16 SS Hex Nut, 21/64"	4				
19	25190	Q-Lon Foam Seal (0.250 x 0.190)	6				
20	26684	Bottom and Top Clip Cap	4				
21	27514	AA Battery, Duracell - Pack of 4	1				
22	27480, 27481	Electronic Latch, TLock, Gateway (Silver, Black)	1				

Description Active Panel B.O.M.	
File Name Series 3200-T H Assembly with Arche-duct and Electronic Latch	REV B
Released 2/16/2026	SHEET 5 OF 6

ASSEMBLY / PARTS LIST (B.O.M.)

TABLE A: Glass Stop Options	
Glass Thickness	ID
9/16"	3924
1"	3907
1-1/4"	4735
1-1/2"	4736

Description	
Tables	
File Name	REV
Series 3200-T H Assembly with Arche-duct and Electronic Latch	B
Released	SHEET 6 OF 6
2/16/2026	