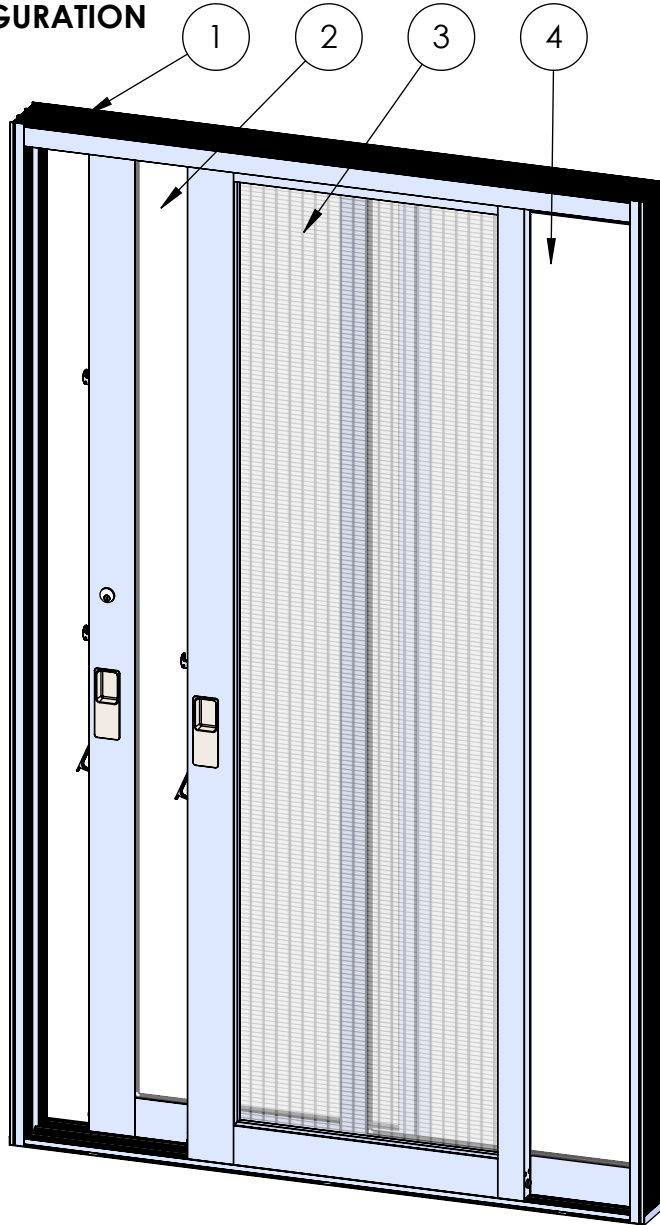


# ASSEMBLY / PARTS LIST (B.O.M.)

**SERIES: 3070-T**  
**TYPE: XO WITH SCREEN CONFIGURATION**



ITEM NO.	DESCRIPTION	PAGE #
1	XO Frame Assembly	2-3
2	X Panel Assembly	4-5
3	Screen Panel Assembly	6-7
4	O Panel Assembly	8
5	Tables	9

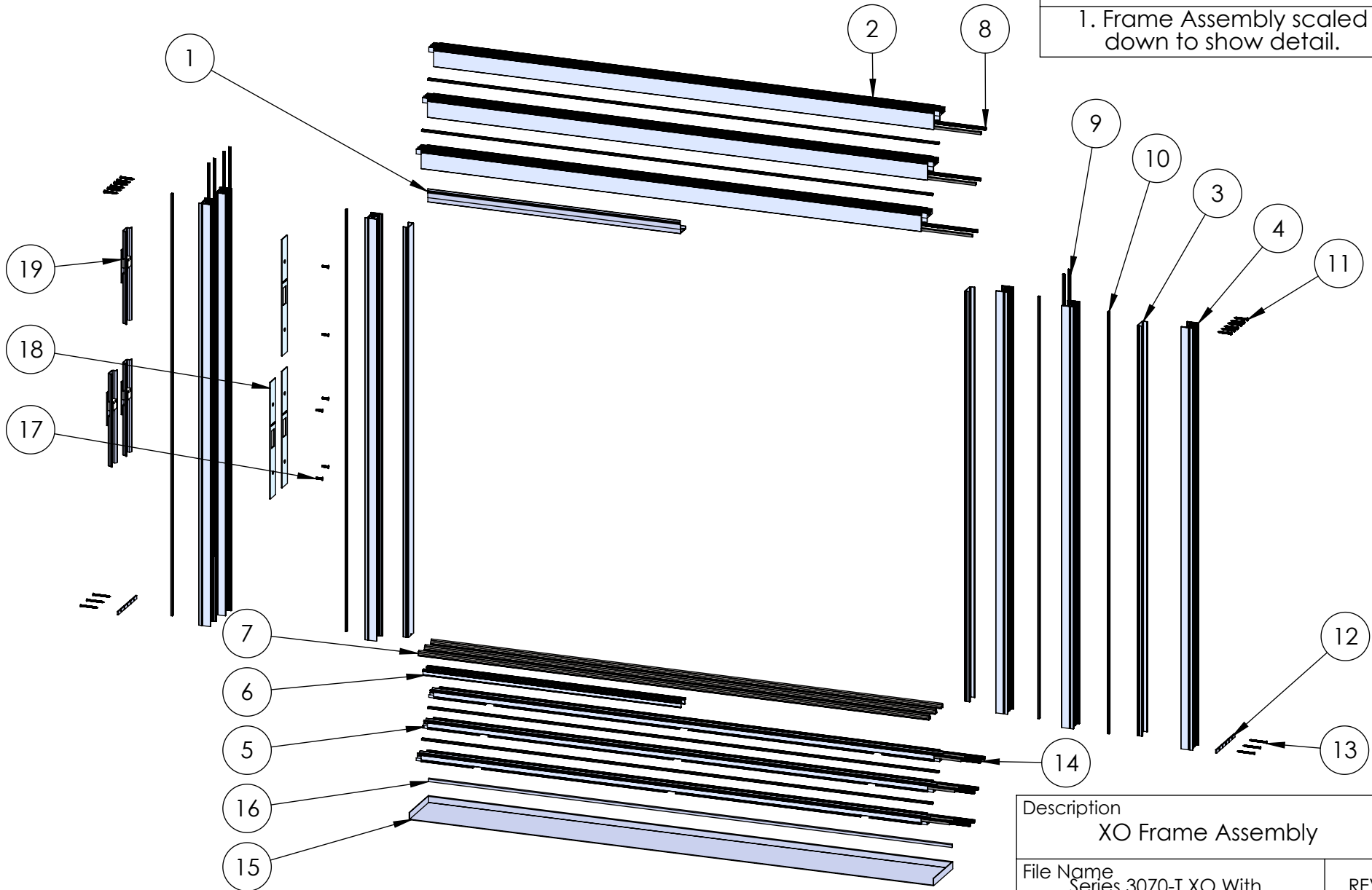
NOTES:	
1.	Secondary Latch used only when net frame height $\geq 96"$ .
2.	Panels are numbered from left to right as viewed from the exterior.

Description Table of Contents	
File Name Series 3070-T XO With Screen Assembly	REV <b>B</b>
Released 3/3/2026	SHEET 1 OF 9

# ASSEMBLY / PARTS LIST (B.O.M.)

**NOTES:**

1. Frame Assembly scaled down to show detail.



**PROPRIETARY AND CONFIDENTIAL**  
 THE INFORMATION CONTAINED IN THIS DRAWING IS THE SOLE PROPERTY OF FLEETWOOD WINDOWS & DOORS.  
 ANY REPRODUCTION IN PART OR AS A WHOLE WITHOUT THE WRITTEN PERMISSION OF FLEETWOOD WINDOWS & DOORS IS PROHIBITED.

Description XO Frame Assembly	
File Name Series 3070-T XO With Screen Assembly	REV <b>B</b>
Released	3/3/2026
SHEET 2 OF 9	

# ASSEMBLY / PARTS LIST (B.O.M.)

## EXTRUSIONS

ITEM NO.	PART NUMBER	DESCRIPTION	QTY.
1	3014	Head Filler/Closer	1
2	3701	Head 1-Track Assembly	3
3	3710	Jamb Filler	3
4	3711	Jamb 1-Track Assembly	6
5	3749	Thermal Sill 1-Track Assembly	3
6	3747	Sill Filler	2
7	FW1020	Stainless Steel Track	3

## HARDWARE

ITEM NO.	PART NUMBER	DESCRIPTION	QTY.
8	19118	Small Fin Seal Mohair	6
9	25757	Q-Lon Foam Seal	6
10	23025	PVC MS Track Joiner	8
11	20353	#10 PHP-A, 1.5 in, SS, Clear	12
12	25186	Rectangular Washer	6
13	20258	#8 FHP-A, 2 in, SS, Clear	6
14	27538	Fin Seal Mohair 270270	12
15	3720	Sillpan	1
16	23220	Sillpan Hem Cover	1
17	25073	#10-32 FHP-B, .75, SS, Clear	6
18	24067	Strike Plate	3
19	24790	Backup Plate Assembly	3

Description  
XO Frame B.O.M.

File Name  
Series 3070-T XO With  
Screen Assembly

REV  
**B**

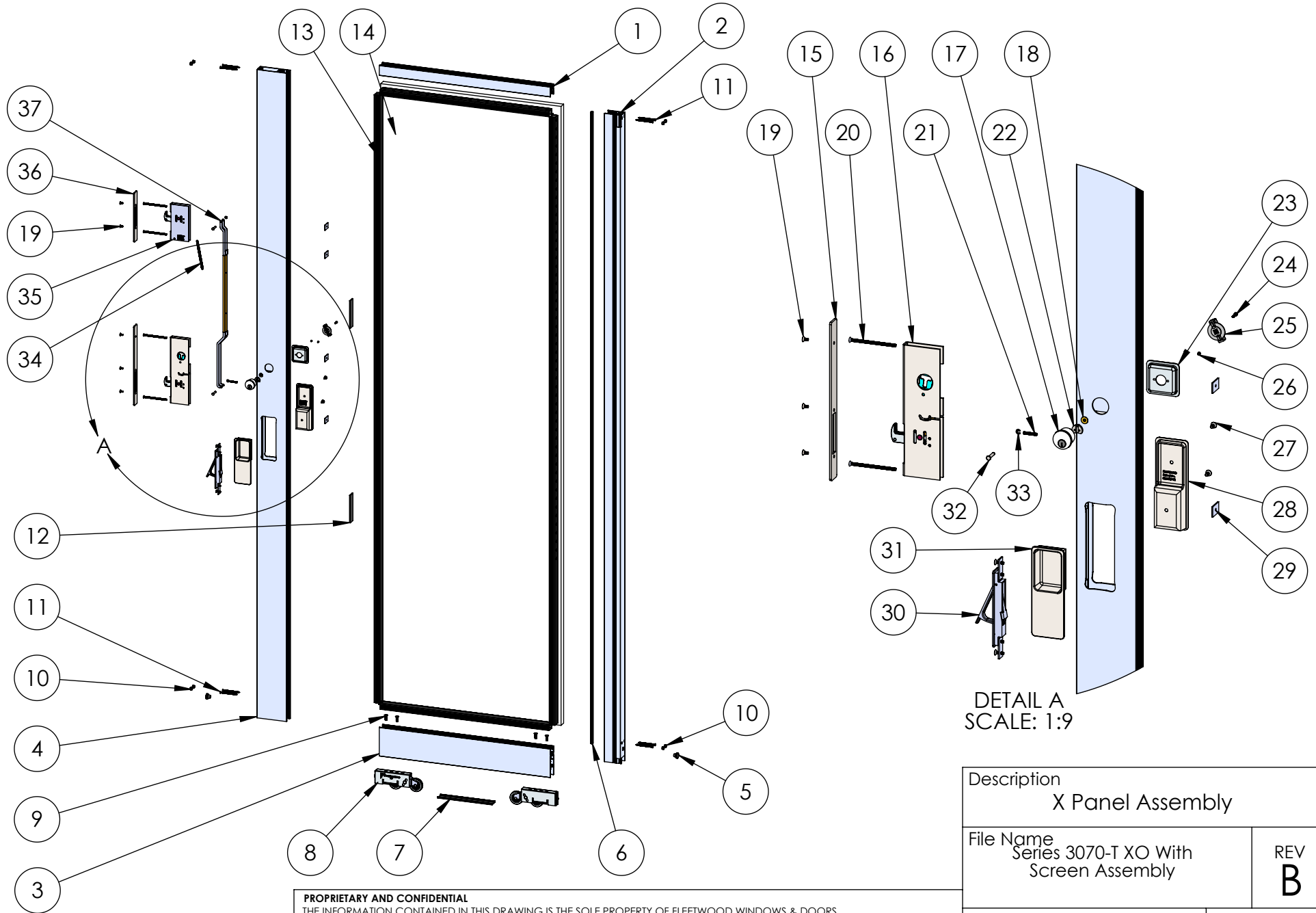
**PROPRIETARY AND CONFIDENTIAL**

THE INFORMATION CONTAINED IN THIS DRAWING IS THE SOLE PROPERTY OF FLEETWOOD WINDOWS & DOORS.  
ANY REPRODUCTION IN PART OR AS A WHOLE WITHOUT THE WRITTEN PERMISSION OF FLEETWOOD WINDOWS & DOORS IS PROHIBITED.

Released 3/3/2026

SHEET 3 OF 9

# ASSEMBLY / PARTS LIST (B.O.M.)



**PROPRIETARY AND CONFIDENTIAL**  
THE INFORMATION CONTAINED IN THIS DRAWING IS THE SOLE PROPERTY OF FLEETWOOD WINDOWS & DOORS.  
ANY REPRODUCTION IN PART OR AS A WHOLE WITHOUT THE WRITTEN PERMISSION OF FLEETWOOD WINDOWS & DOORS IS PROHIBITED.

# ASSEMBLY / PARTS LIST (B.O.M.)

EXTRUSIONS			
ITEM NO.	PART NUMBER	DESCRIPTION	QTY.
1	3075	Thermal Top Rail DG	1
2	3727	Thermal Interlock Sliding	1
3	3789	Thermal Bottom Rail	1
4	3793	Thermal Lock Stile (Shear Free Strut)	1
HARDWARE			
ITEM NO.	PART NUMBER	DESCRIPTION	QTY.
5	20635	Small Round Panel Plug (All Doors)	2
6	19117	Large Fin Seal Mohair	1
7	22938	PVC Rail Spreader, BL798	1
8	20514	A2 Roller Assembly	2
9	20305	1/4-20 FHP - B, 3/4 in, SS Clear	4
10	25907	Round Plug - Plastic - 5/16"	8
11	27635	#8 FHP-A, 2.5", SS, Clear	8
12	18621	Setting Block (1/8 in x 4 in)	2
13	22909	1 Inch Glazing Vinyl with Corner Cuts	1
14	-	Glass	1
15	26685	Archetype Latch Faceplate	1
16	24077	Archetype XO Primary Latch, RH Latch	1
17	See Table A	Key Cylinder Set	1
18	25681	Brass Bushing - Key Cylinder	1
19	24076	#8-32 FHS, 3/8" Hex Socket Flat, SS, Clear	5
20	25560	#10-32 FHP-B Screw, 3.375 in.	4
21	24935	#8-32 x 1" Set Screw (Reg. Arch. Cyl.)	1
22	24780	Cam - (for Archetype Key Cylinder)	1

HARDWARE			
ITEM NO.	PART NUMBER	DESCRIPTION	QTY.
23	24767, 24081	Archetype Actuator Pocket, XO (SS, BLK)	1
24	24072, 24094	#6-32, Hex Socket Head Cap, Self Locking, 1/2", SS (Clear, Black)	1
25	24079, 24766	Archetype Actuator (Black, SS)	1
26	24074	#4-40 FHP-UC, .188 in, SS, Clear	2
27	24087, 24093	#10-32 FH Socket Screw, 0.4375" (SS, BLK)	2
28	24089, 24091	Archetype Handle, Inside, with Gasket (SS, BLK)	1
29	18671	Back Up Plate # 10-32 x 0.075 Thk.	4
30	26136, 27680	Edge Pull Thermal (SS, BLK)	1
31	24090, 24092	Archetype Handle, Outside, with Gasket (SS, BLK)	1
32	24128	Archetype Pin, Clevis Grooved	2
33	24129	E-Style Retaining Ring	2
34	24127	Spring Compensation - Archetype Secondary Latch	1
35	24082	Archetype Secondary Latch	1
36	26686	Archetype Secondary Latch Faceplate, (Thermal)	1
37	26373	Secondary Latch Linkage	1

Description  
X Panel Assembly B.O.M.

File Name  
Series 3070-T XO With  
Screen Assembly

REV  
**B**

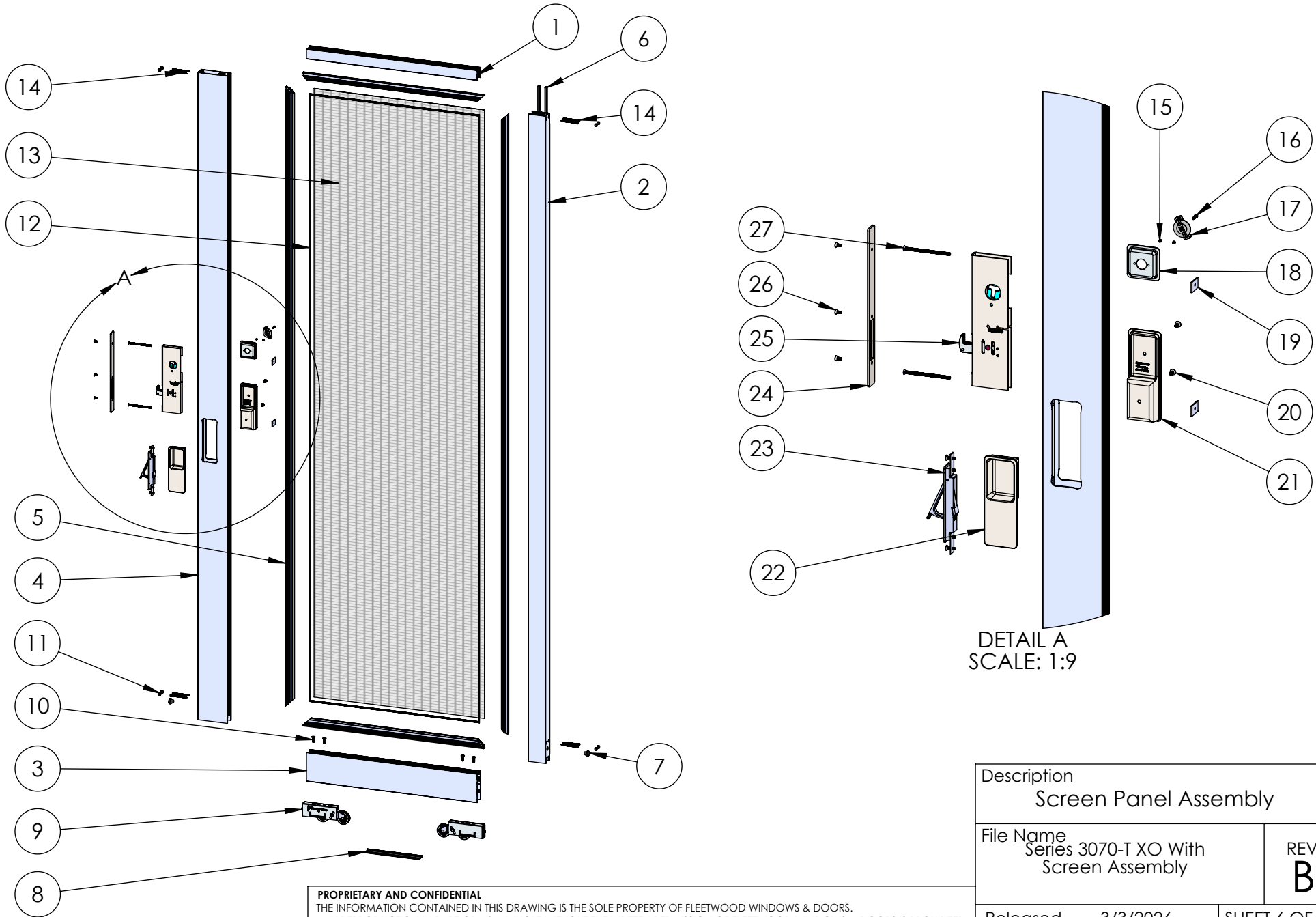
**PROPRIETARY AND CONFIDENTIAL**

THE INFORMATION CONTAINED IN THIS DRAWING IS THE SOLE PROPERTY OF FLEETWOOD WINDOWS & DOORS.  
ANY REPRODUCTION IN PART OR AS A WHOLE WITHOUT THE WRITTEN PERMISSION OF FLEETWOOD WINDOWS & DOORS IS PROHIBITED.

Released 3/3/2026

SHEET 5 OF 9

# ASSEMBLY / PARTS LIST (B.O.M.)



Description Screen Panel Assembly	
File Name Series 3070-T XO With Screen Assembly	REV <b>B</b>
Released	3/3/2026
SHEET 6 OF 9	

**PROPRIETARY AND CONFIDENTIAL**  
THE INFORMATION CONTAINED IN THIS DRAWING IS THE SOLE PROPERTY OF FLEETWOOD WINDOWS & DOORS.  
ANY REPRODUCTION IN PART OR AS A WHOLE WITHOUT THE WRITTEN PERMISSION OF FLEETWOOD WINDOWS & DOORS IS PROHIBITED.

# ASSEMBLY / PARTS LIST (B.O.M.)

EXTRUSIONS			
ITEM NO.	PART NUMBER	DESCRIPTION	QTY.
1	3075	Thermal Top Rail DG	1
2	3728	Thermal Interlocker Fixed	1
3	3789	Thermal Bottom Rail	1
4	3776	Thermal Lock Stile (Archetype) Assembly	1
5	3739	Narrow Multi-Slide Screen Adapter	4

HARDWARE			
ITEM NO.	PART NUMBER	DESCRIPTION	QTY.
6	19117	Large Fin Seal Mohair	2
7	20635	Small Round Panel Plug (All Doors)	2
8	22938	PVC Rail Spreader, BL798	1
9	20514	A2 Roller Assembly	2
10	20305	1/4-20 FHP - B, 3/4 in, SS Clear	4
11	25907	Round Plug - Plastic - 5/16"	8
12	24719	Screen Rubber Spline .170	1
13	-	Screen Mesh	1
14	27635	#8 FHP-A, 2.5", SS, Clear	8
15	24074	#4-40 FHP-UC, .188 in, SS, Clear	2
16	24072, 24094	#6-32, Hex Socket Head Cap, Self Locking, 1/2", SS (Clear, Black)	1
17	24079, 24766	Archetype Actuator (Black, SS)	1
18	24767, 24081	Archetype Actuator Pocket, XO (SS, BLK)	1

HARDWARE			
ITEM NO.	PART NUMBER	DESCRIPTION	QTY.
19	18671	Back Up Plate # 10-32 x 0.075 Thk.	2
20	24087, 24093	#10-32 FH Socket Screw, 0.4375" (SS, BLK)	2
21	24089, 24091	Archetype Handle, Inside, with Gasket (SS, BLK)	1
22	24090, 24092	Archetype Handle, Outside, with Gasket (SS, BLK)	1
23	26136, 27680	Edge Pull Thermal (SS, BLK)	1
24	26685	Archetype Latch Faceplate	1
25	24077	Archetype XO Primary Latch, RH Latch	1
26	24076	#8-32 FHS, 3/8" Hex Socket Flat, SS, Clear	3
27	25560	#10-32 FHP-B Screw, 3.375 in.	2

Description  
Screen Panel Assembly B.O.M.

File Name  
Series 3070-T XO With  
Screen Assembly

REV  
**B**

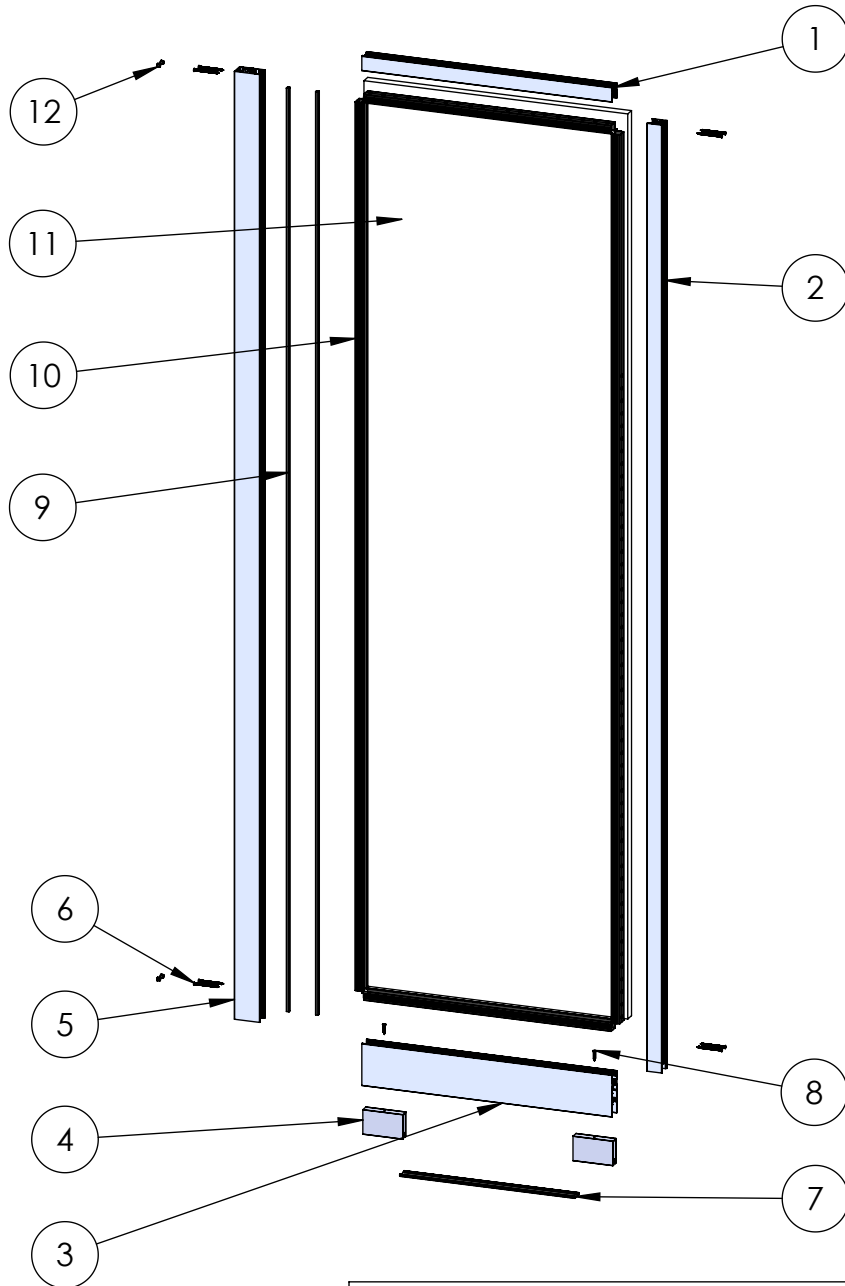
**PROPRIETARY AND CONFIDENTIAL**

THE INFORMATION CONTAINED IN THIS DRAWING IS THE SOLE PROPERTY OF FLEETWOOD WINDOWS & DOORS.  
ANY REPRODUCTION IN PART OR AS A WHOLE WITHOUT THE WRITTEN PERMISSION OF FLEETWOOD WINDOWS & DOORS IS PROHIBITED.

Released 3/3/2026

SHEET 7 OF 9

# ASSEMBLY / PARTS LIST (B.O.M.)



## EXTRUSIONS

ITEM NO.	PART NUMBER	DESCRIPTION	QTY.
1	3075	Thermal Top Rail DG	1
2	3073	Fixed Stile DG	1
3	3789	Thermal Bottom Rail	1
4	3761	Fixed Panel Block	2
5	3728	Thermal Interlocker Fixed	1

## HARDWARE

ITEM NO.	PART NUMBER	DESCRIPTION	QTY.
6	27635	#8 FHP-A, 2.5", SS, Clear	8
7	22938	PVC Rail Spreader, BL798	1
8	20293	#10 FHP-A, 1", SS, Clear	2
9	19117	Large Fin Seal Mohair	2
10	25032	1 Inch Glazing Vinyl (Tremco)	1
11	-	Glass	1
12	25907	Round Plug - Plastic - 5/16"	4

**PROPRIETARY AND CONFIDENTIAL**

THE INFORMATION CONTAINED IN THIS DRAWING IS THE SOLE PROPERTY OF FLEETWOOD WINDOWS & DOORS.  
ANY REPRODUCTION IN PART OR AS A WHOLE WITHOUT THE WRITTEN PERMISSION OF FLEETWOOD WINDOWS & DOORS IS PROHIBITED.

Description O Panel Assembly	
File Name Series 3070-T XO With Screen Assembly	REV <b>B</b>
Released 3/3/2026	SHEET 8 OF 9

# ASSEMBLY / PARTS LIST (B.O.M.)

TABLE A: Key Cylinder Options		
Keyed	Color	ID
Alike	Stainless	25356
	Black	24784
Different	Stainless	24782
	Black	24783

Description	
Tables	
File Name	REV
Series 3070-T XO With Screen Assembly	<b>B</b>
Released	SHEET 9 OF 9
3/3/2026	