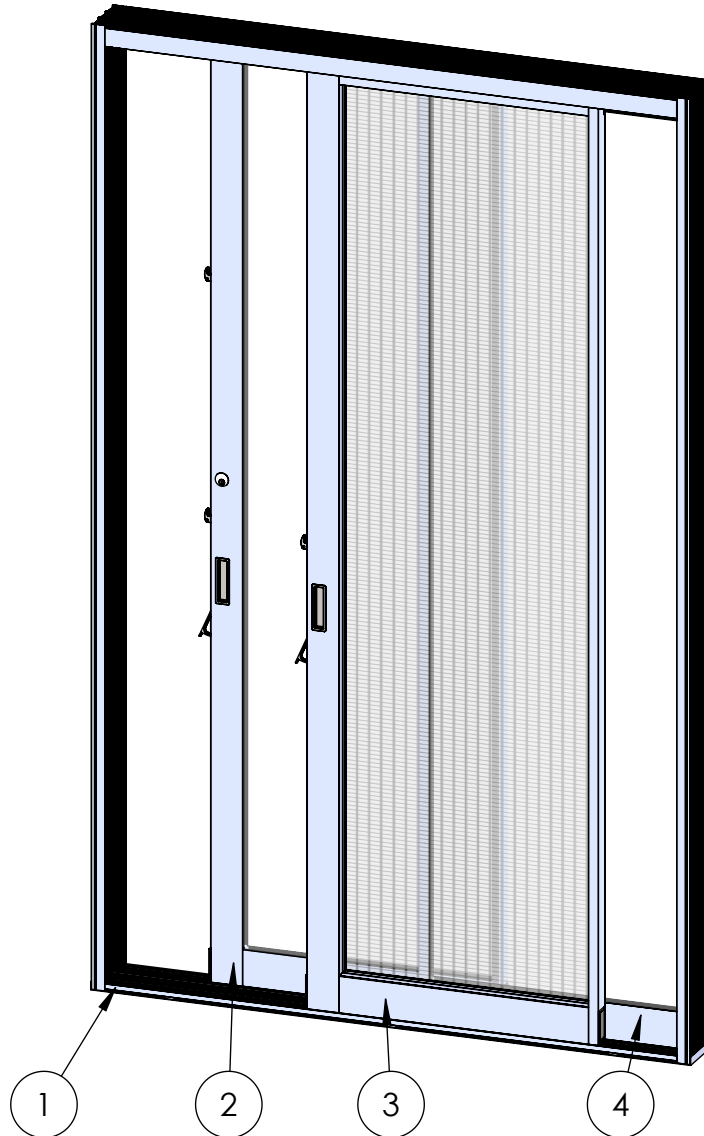


ASSEMBLY / PARTS LIST (B.O.M.)

Series: 3070-T

Type: XO Narrow Configuration with Thermal Narrow Interlockers, Screen and A2 Rollers



ITEM NO.	DESCRIPTION	PAGE #
1	XO Frame Assembly	2-3
2	X Panel Narrow Assembly	4-5
3	Screen Panel Assembly	6-7
4	O Panel Assembly	8
5	Tables	9

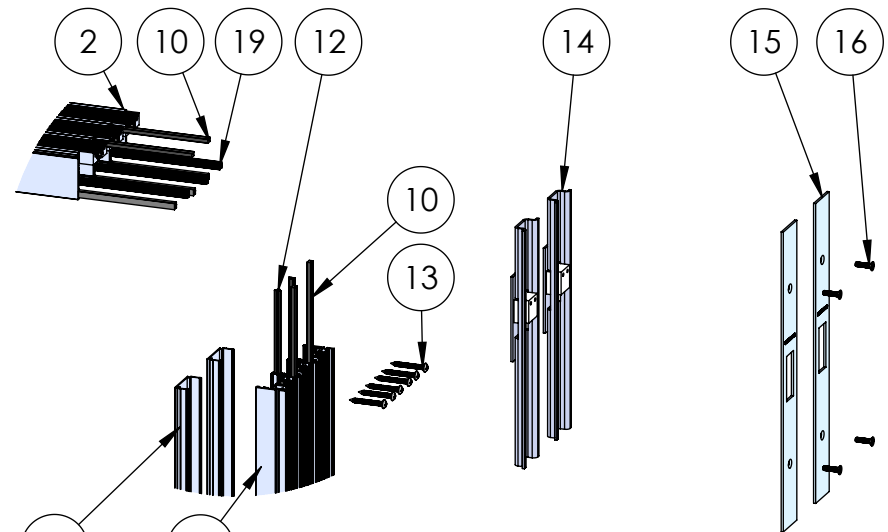
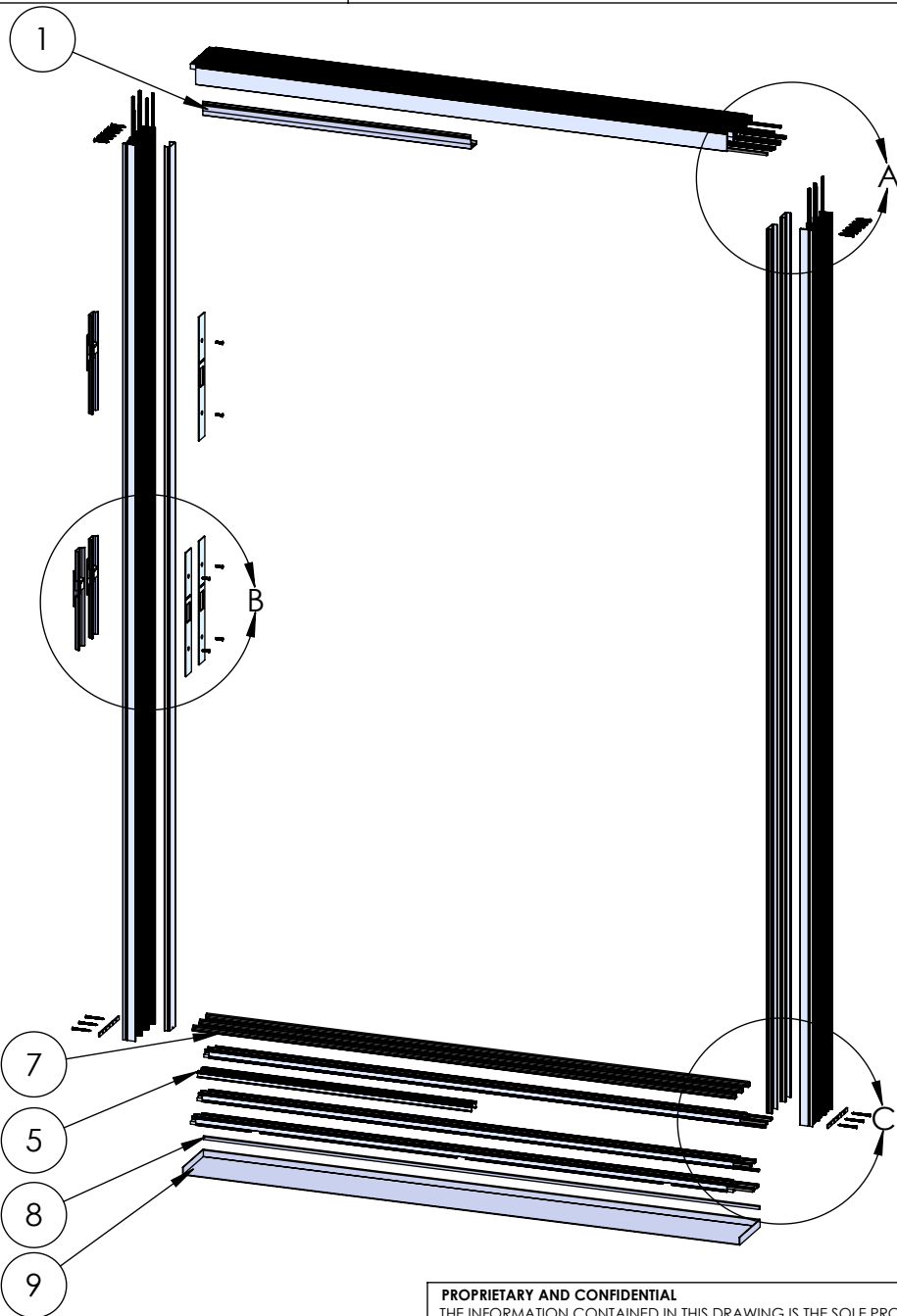
NOTES:

1. Secondary Latch only used when net frame height $\geq 96"$.

PROPRIETARY AND CONFIDENTIAL
THE INFORMATION CONTAINED IN THIS DRAWING IS THE SOLE PROPERTY OF FLEETWOOD WINDOWS & DOORS.
ANY REPRODUCTION IN PART OR AS A WHOLE WITHOUT THE WRITTEN PERMISSION OF FLEETWOOD WINDOWS & DOORS IS PROHIBITED.

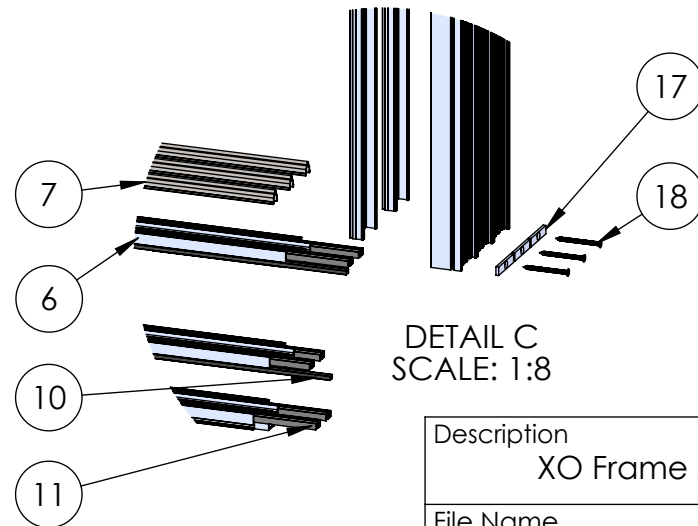
Description Table of Contents	
File Name Series 3070-T XO Narrow With Screen A2 Rollers Assembly	REV C
Released 3/4/2026	SHEET 1 OF 9

ASSEMBLY / PARTS LIST (B.O.M.)



DETAIL A
SCALE: 1:8

DETAIL B
SCALE: 1:8



DETAIL C
SCALE: 1:8

PROPRIETARY AND CONFIDENTIAL
THE INFORMATION CONTAINED IN THIS DRAWING IS THE SOLE PROPERTY OF FLEETWOOD WINDOWS & DOORS.
ANY REPRODUCTION IN PART OR AS A WHOLE WITHOUT THE WRITTEN PERMISSION OF FLEETWOOD WINDOWS & DOORS IS PROHIBITED.

Description XO Frame Assembly	
File Name Series 3070-T XO Narrow With Screen A2 Rollers Assembly	REV C
Released	3/4/2026
SHEET 2 OF 9	

ASSEMBLY / PARTS LIST (B.O.M.)

EXTRUSIONS

ITEM NO.	PART NUMBER	DESCRIPTION	QTY.
1	3014	Head Filler/Closer	1
2	3701	Head 1-Track Assembly	3
3	3710	Jamb Filler	3
4	3711	Jamb 1-Track Assembly	6
5	3747	Sill Filler	2
6	3749	Thermal Sill 1-Track Assembly	3
7	FW1020	Stainless Steel Track	3

HARDWARE

ITEM NO.	PART NUMBER	DESCRIPTION	QTY.
8	23220	Sillpan Hem Cover	1
9	3720	Sillpan	1
10	23025	PVC MS Track Joiner	8
11	27538	Fin Seal Mohair 270270	12
12	25757	Q-Lon Foam Seal	6
13	20353	#10 PHP-A, 1.5 in, SS, Clear	12
14	24790	Backup Plate Assembly	3
15	24067	Strike Plate	3
16	25073	#10-32 FHP-B, .75, SS, Clear	6
17	25186	Rectangular Washer	6
18	20258	#8 FHP-A, 2 in, SS, Clear	6
19	19118	Small Fin Seal Mohair	6

Description
XO Frame B.O.M.

File Name
Series 3070-T XO Narrow
With Screen A2 Rollers
Assembly

REV
C

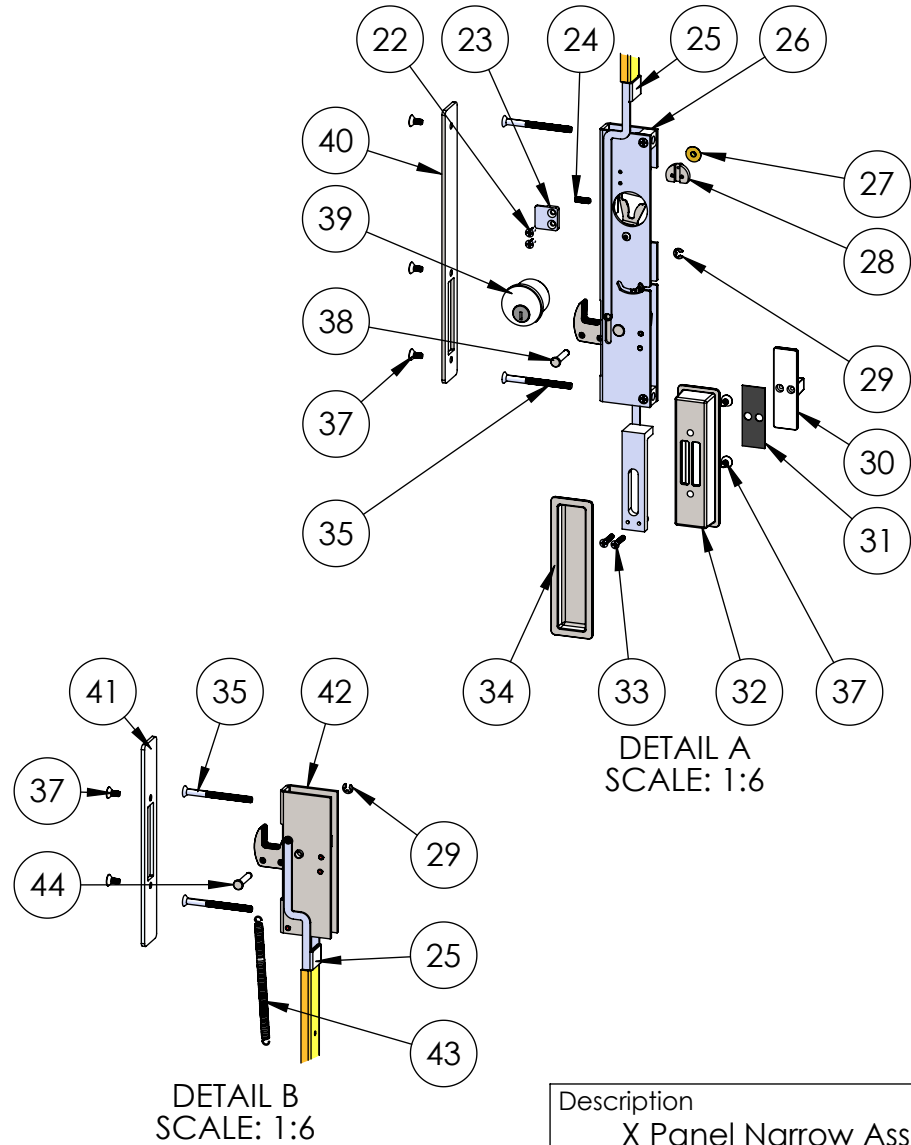
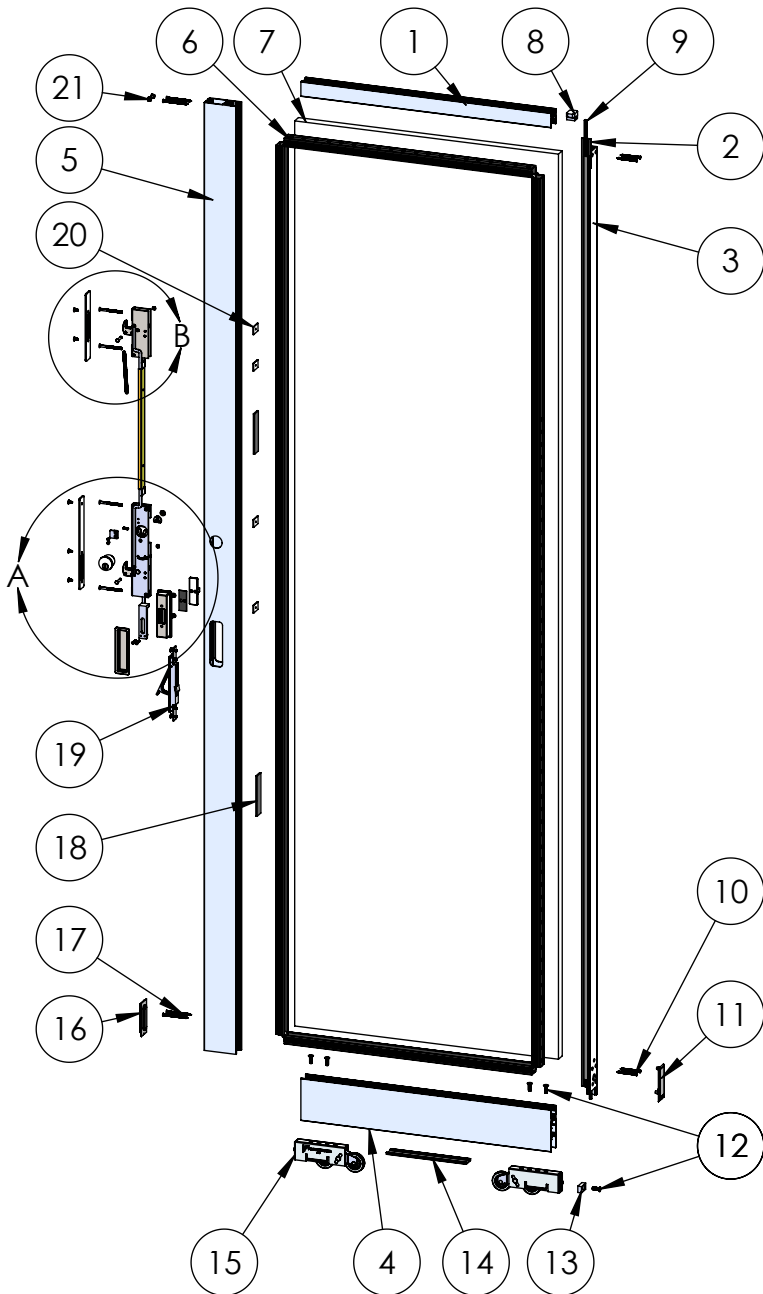
PROPRIETARY AND CONFIDENTIAL

THE INFORMATION CONTAINED IN THIS DRAWING IS THE SOLE PROPERTY OF FLEETWOOD WINDOWS & DOORS.
ANY REPRODUCTION IN PART OR AS A WHOLE WITHOUT THE WRITTEN PERMISSION OF FLEETWOOD WINDOWS & DOORS IS PROHIBITED.

Released 3/4/2026

SHEET 3 OF 9

ASSEMBLY / PARTS LIST (B.O.M.)



PROPRIETARY AND CONFIDENTIAL
THE INFORMATION CONTAINED IN THIS DRAWING IS THE SOLE PROPERTY OF FLEETWOOD WINDOWS & DOORS.
ANY REPRODUCTION IN PART OR AS A WHOLE WITHOUT THE WRITTEN PERMISSION OF FLEETWOOD WINDOWS & DOORS IS PROHIBITED.

Description X Panel Narrow Assembly	
File Name Series 3070-T XO Narrow With Screen A2 Rollers Assembly	REV C
Released	3/4/2026
SHEET 4 OF 9	

ASSEMBLY / PARTS LIST (B.O.M.)

EXTRUSIONS				HARDWARE			
ITEM NO.	PART NUMBER	DESCRIPTION	QTY.	ITEM NO.	PART NUMBER	DESCRIPTION	QTY.
1	3075	Thermal Top Rail DG	1	25	26168, 26169	Archetype Narrow Secondary Latch Linkage (OX, XO)	1
2	27557	.93 x .519 Custom I-Strut	1	26	25319	Archetype Narrow Flush Latch XO	1
3	3735	1" Narrow Interlocker-STD (Thermal)	1	27	25681	Bushing-Key Cyl. - Narrow Arch.	1
4	3789	Thermal Bottom Rail	1	28	24780	Cam - (for Archetype Key Cylinder)	1
5	3792	Thermal Narrow Lead Stile (Shear Free Strut)	1	29	24129	E-Style Retaining Ring	2
HARDWARE				30	25317, 25318	Archetype Narrow Flush Actuator (Black, Stainless Steel)	1
6	25032	1 Inch Glazing Vinyl (Tremco)	1	31	26245	Slider Friction Pad	1
7	-	Glass	1	32	25314, 25315	Archetype Narrow Flush Int. Pocket (Black, Stainless Steel)	1
8	27638	Narrow Interlocker Spacer	1	33	25755	#6-32 FHP with Nylock, .75 in	2
9	27659	Weatherstrip (19018745bkwp)	1	34	25311, 25312	Archetype Narrow Flush Ext. Pocket (Black, Stainless Steel)	1
10	20258, 20256	#8 FHP-A, 2 in, SS (Clear, Black)	4	35	25342	#10-32 PHP Screw, 2.25 in	4
11	27448	Slim Interlocker Bumper	1	36	24076, 25325	#8-32 FHS, 3/8" Hex Socket Flat (SS, Black)	2
12	20305	1/4-20 FHP - B, 3/4 in, SS Clear	5	37	24076	#8-32 FHS, 3/8" Hex Socket Flat, SS, Clear	5
13	27594	Roller Interlocker Block	1	38	26172	Clevis Pin (Primary Archetype Narrow Latch)	1
14	22938	PVC Rail Spreader, BL798	1	39	See Table A	Key Cylinder Set	1
15	20514	A2 Roller Assembly	2	40	25309	Archetype Narrow Latch Face Plate	1
16	27568	Narrow Leadstile Bumper, Thermal	1	41	26225	Archetype Narrow Secondary Latch Faceplate	1
17	27635	#8 FHP-A, 2.5", SS, Clear	4	42	26166	Archetype Narrow Secondary Latch	1
18	18621	Setting Block (1/8 in x 4 in)	2	43	26171	Spring Compensation	1
19	26136, 27680	Edge Pull Thermal (SS, BLK)	1	44	24128	Archetype Pin, Clevis Grooved	1
20	18671	Back Up Plate # 10-32 x 0.075 Thk.	4				
21	25907	Round Plug - Plastic - 5/16"	2				
22	25890	#6-32 FHP-B Screw, .375 in.	2				
23	26170	Archetype Narrow Secondary Latch Linkage Guide	1				
24	25330	#8-32 x 1/2" Set Screw Narrow Arch. Cyl.	1				

PROPRIETARY AND CONFIDENTIAL

THE INFORMATION CONTAINED IN THIS DRAWING IS THE SOLE PROPERTY OF FLEETWOOD WINDOWS & DOORS. ANY REPRODUCTION IN PART OR AS A WHOLE WITHOUT THE WRITTEN PERMISSION OF FLEETWOOD WINDOWS & DOORS IS PROHIBITED.

Description
X Panel Narrow B.O.M.

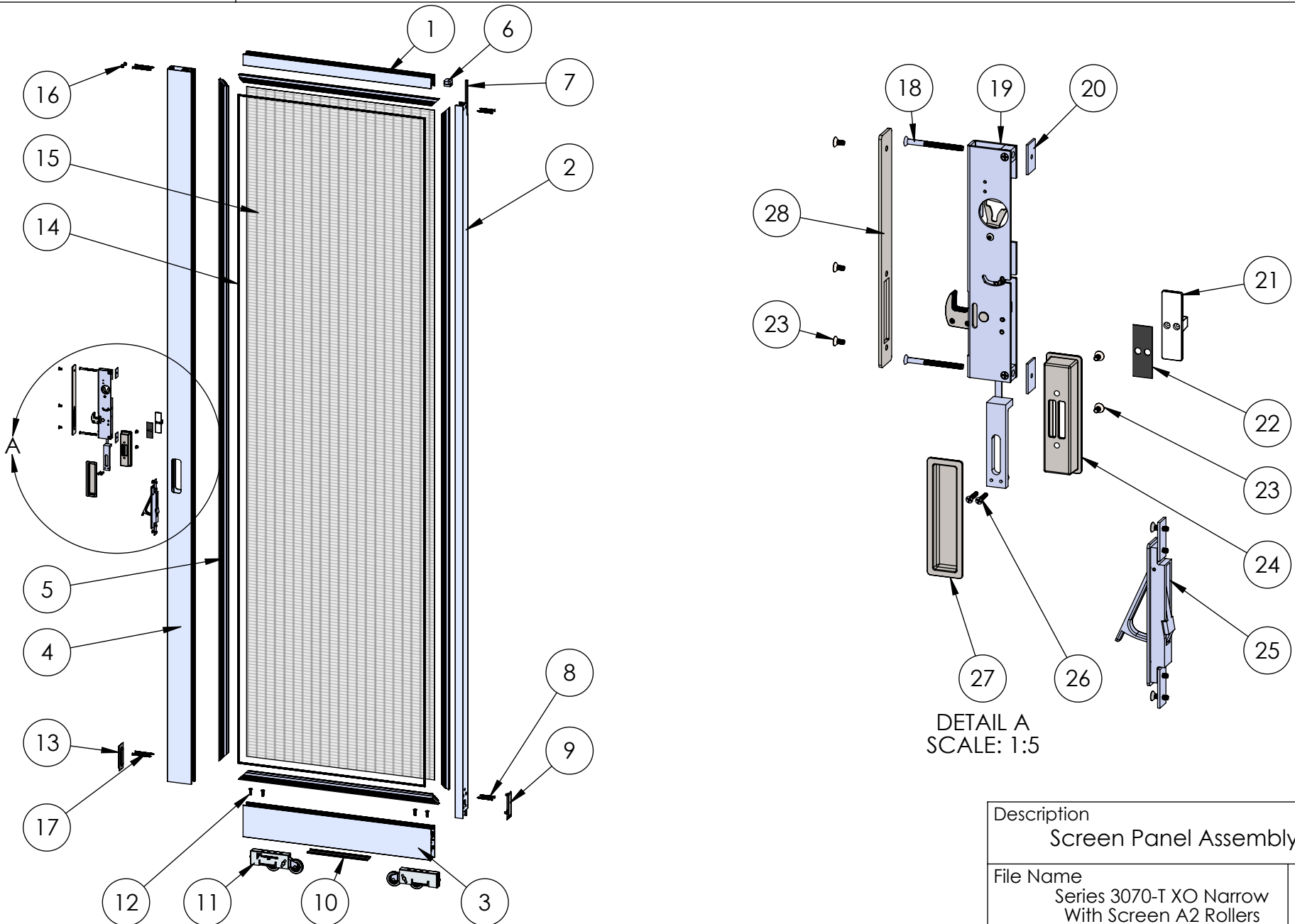
File Name
Series 3070-T XO Narrow
With Screen A2 Rollers
Assembly

REV
C

Released 3/4/2026

SHEET 5 OF 9

ASSEMBLY / PARTS LIST (B.O.M.)



DETAIL A
SCALE: 1:5

PROPRIETARY AND CONFIDENTIAL
THE INFORMATION CONTAINED IN THIS DRAWING IS THE SOLE PROPERTY OF FLEETWOOD WINDOWS & DOORS.
ANY REPRODUCTION IN PART OR AS A WHOLE WITHOUT THE WRITTEN PERMISSION OF FLEETWOOD WINDOWS & DOORS IS PROHIBITED.

Description Screen Panel Assembly	
File Name Series 3070-T XO Narrow With Screen A2 Rollers Assembly	REV C
Released	3/4/2026
SHEET 6 OF 9	

ASSEMBLY / PARTS LIST (B.O.M.)

EXTRUSIONS

ITEM NO.	PART NUMBER	DESCRIPTION	QTY.
1	3075	Thermal Top Rail DG	1
2	3737	Slim Interlocker-STD (Non-Thermal)	1
3	3789	Thermal Bottom Rail	1
4	3773	Thermal Narrow Lead Stile	1
5	3739	Narrow Multi-Slide Screen Adapter	4

HARDWARE

ITEM NO.	PART NUMBER	DESCRIPTION	QTY.
6	27638	Narrow Interlocker Spacer	1
7	19122	Weatherstrip (26018745bkwp)	1
8	20258, 20256	#8 FHP-A, 2 in, SS (Clear, Black)	4
9	27448	Slim Interlocker Bumper	1
10	22938	PVC Rail Spreader, BL798	1
11	20514	A2 Roller Assembly	2
12	20305	1/4-20 FHP - B, 3/4 in, SS Clear	4
13	27568	Narrow Leadstile Bumper, Thermal	1
14	24719	Screen Rubber Spline .170	1
15	-	Screen Mesh	1
16	25907	Round Plug - Plastic - 5/16"	2
17	27635	#8 FHP-A, 2.5", SS, Clear	4

HARDWARE

ITEM NO.	PART NUMBER	DESCRIPTION	QTY.
18	25342	#10-32 PHP Screw, 2.25 in	2
19	25319	Archetype Narrow Flush Latch XO	1
20	18671	Back Up Plate # 10-32 x 0.075 Thk.	2
21	25317, 25318	Archetype Narrow Flush Actuator (Black, Stainless Steel)	1
22	26245	Slider Friction Pad	1
23	24076, 25325	#8-32 FHS, 3/8" Hex Socket Flat (SS, Black)	5
24	25314, 25315	Archetype Narrow Flush Int. Pocket (Black, Stainless Steel)	1
25	26136, 27680	Edge Pull Thermal (SS, BLK)	1
26	25755	#6-32 FHP with Nylock, .75 in	2
27	25311, 25312	Archetype Narrow Flush Ext. Pocket (Black, Stainless Steel)	1
28	25309	Archetype Narrow Latch Face Plate	1

Description
Screen Panel B.O.M.

File Name
Series 3070-T XO Narrow
With Screen A2 Rollers
Assembly

REV
C

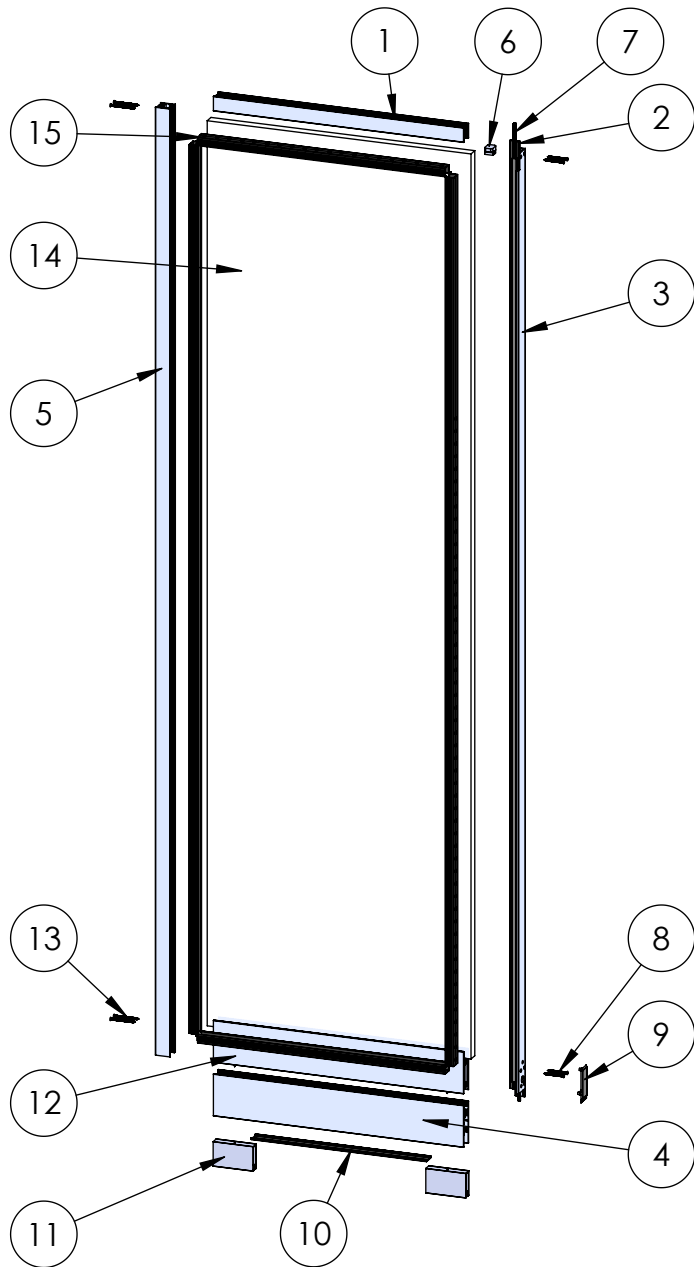
PROPRIETARY AND CONFIDENTIAL

THE INFORMATION CONTAINED IN THIS DRAWING IS THE SOLE PROPERTY OF FLEETWOOD WINDOWS & DOORS.
ANY REPRODUCTION IN PART OR AS A WHOLE WITHOUT THE WRITTEN PERMISSION OF FLEETWOOD WINDOWS & DOORS IS PROHIBITED.

Released 3/4/2026

SHEET 7 OF 9

ASSEMBLY / PARTS LIST (B.O.M.)



EXTRUSIONS

ITEM NO.	PART NUMBER	DESCRIPTION	QTY.
1	3075	Thermal Top Rail DG	1
2	27557	.93 x .519 Custom I-Strut	1
3	3735	1" Narrow Interlocker-STD (Thermal)	1
4	3789	Thermal Bottom Rail	1
5	3073	Fixed Stile DG	1

HARDWARE

ITEM NO.	PART NUMBER	DESCRIPTION	QTY.
6	27638	Narrow Interlocker Spacer	1
7	27659	Weatherstrip (19018745bkwp)	1
8	20258, 20256	#8 FHP-A, 2 in, SS (Clear, Black)	4
9	27448	Slim Interlocker Bumper	1
10	22938	PVC Rail Spreader, BL798	1
11	3761	Fixed Panel Block	4
12	20293	#10 FHP-A, 1", SS, Clear	2
13	27635	#8 FHP-A, 2.5", SS, Clear	4
14	-	Glass	1
15	25032	1 Inch Glazing Vinyl (Tremco)	1
16	3789	Thermal Bottom Rail	1

Description
O Panel Assembly

File Name
Series 3070-T XO Narrow
With Screen A2 Rollers
Assembly

REV
C

Released 3/4/2026

SHEET 8 OF 9

PROPRIETARY AND CONFIDENTIAL

THE INFORMATION CONTAINED IN THIS DRAWING IS THE SOLE PROPERTY OF FLEETWOOD WINDOWS & DOORS.
ANY REPRODUCTION IN PART OR AS A WHOLE WITHOUT THE WRITTEN PERMISSION OF FLEETWOOD WINDOWS & DOORS IS PROHIBITED.

ASSEMBLY / PARTS LIST (B.O.M.)

TABLE A: Key Cylinder Options

Keyed	Color	ID
Alike	Stainless	25356
	Black	24784
Different	Stainless	24782
	Black	24783

Description	
Tables	
File Name	REV
Series 3070-T XO Narrow With Screen A2 Rollers Assembly	C
Released	SHEET 9 OF 9
3/4/2026	