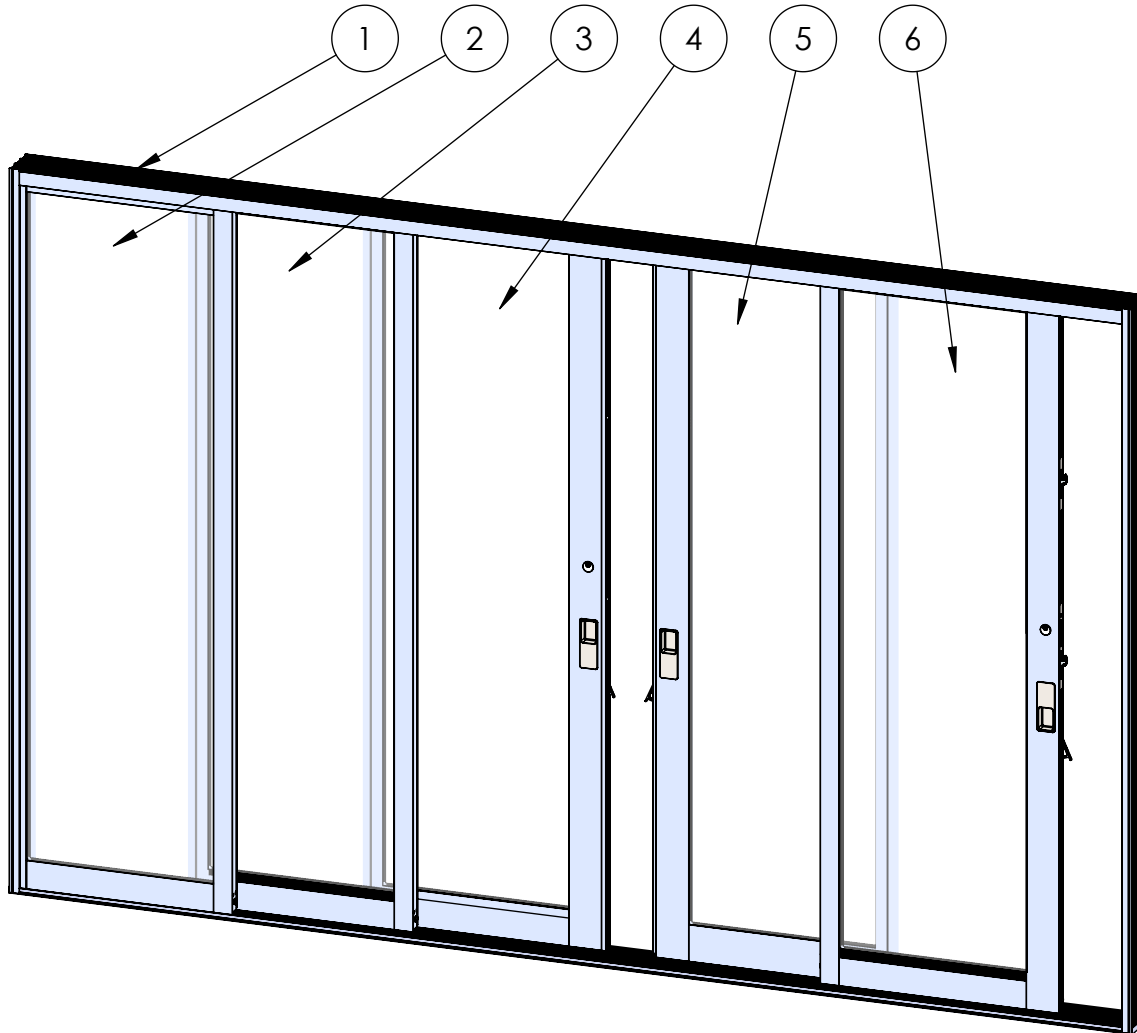


ASSEMBLY / PARTS LIST (B.O.M.)

SERIES: 3070-T
TYPE: OXXIXX CONFIGURATION

ITEM NO.	DESCRIPTION	PAGE #
1	OXXIXX Frame Assembly	2-3
2	O Panel Assembly	4
3	X Panel 1 Assembly	5
4	X Panel 2 Assembly	6-7
5	X Panel 3 Assembly	8-9
6	X Panel 4 Assembly	10-11
7	Tables	12

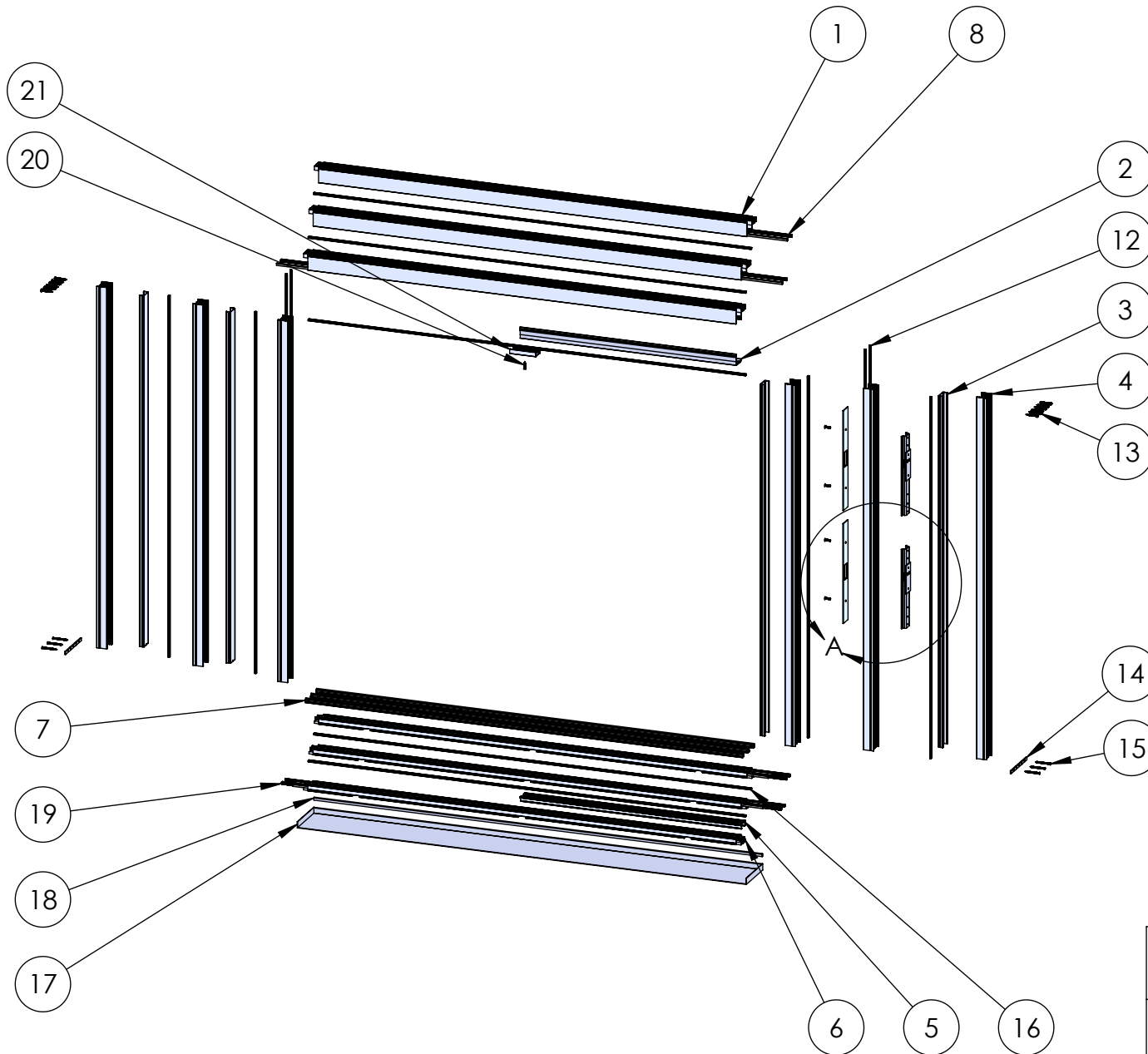


NOTES:

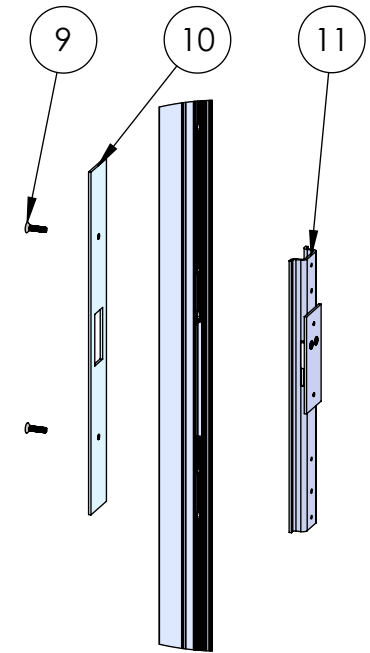
1. Secondary Latch used only when net frame height ≥ 96 ".
2. Panels are numbered from left to right as viewed from the exterior.

Description Table of Contents	
File Name Series 3070-T OXXIXX No Screen Assembly	REV B
Released 3/11/2026	SHEET 1 OF 12

ASSEMBLY / PARTS LIST (B.O.M.)



NOTES:
1. Frame Assembly scaled down to show detail.



Description OXXIXX Frame Assembly	
File Name Series 3070-T OXXIXX No Screen Assembly	REV B
Released 3/11/2026	SHEET 2 OF 12

PROPRIETARY AND CONFIDENTIAL
THE INFORMATION CONTAINED IN THIS DRAWING IS THE SOLE PROPERTY OF FLEETWOOD WINDOWS & DOORS.
ANY REPRODUCTION IN PART OR AS A WHOLE WITHOUT THE WRITTEN PERMISSION OF FLEETWOOD WINDOWS & DOORS IS PROHIBITED.

ASSEMBLY / PARTS LIST (B.O.M.)

EXTRUSIONS

ITEM NO.	PART NUMBER	DESCRIPTION	QTY.
1	3701	Head 1-Track Assembly	3
2	3014	Head Filler/Closer	1
3	3710	Jamb Filler	4
4	3711	Jamb 1-Track Assembly	6
5	3747	Sill Filler	2
6	3749	Thermal Sill 1-Track Assembly	3
7	FW1020	Stainless Steel Track	3

HARDWARE

ITEM NO.	PART NUMBER	DESCRIPTION	QTY.
8	19118	Small Fin Seal Mohair	6
9	25073	#10-32 FHP-B, .75, SS, Clear	4
10	24067	Strike Plate	2
11	24790	Backup Plate Assembly	2
12	25757	Q-Lon Foam Seal	4
13	20353	#10 PHP-A, 1.5 in, SS, Clear	12
14	25186	Rectangular Washer	6
15	20258	#8 FHP-A, 2 in, SS, Clear	6
16	23025	PVC MS Track Joiner	9
17	3720	Sillpan	1
18	23220	Sillpan Hem Cover	1
19	27538	Fin Seal Mohair 270270	12
20	20247	#8, FHP-A Screw, 1 in, SS, Clear	1
21	24098	Head Anti Lift	1

Description
OXXIXX Frame Assembly B.O.M.

File Name
Series 3070-T OXXIXX No
Screen Assembly

REV
B

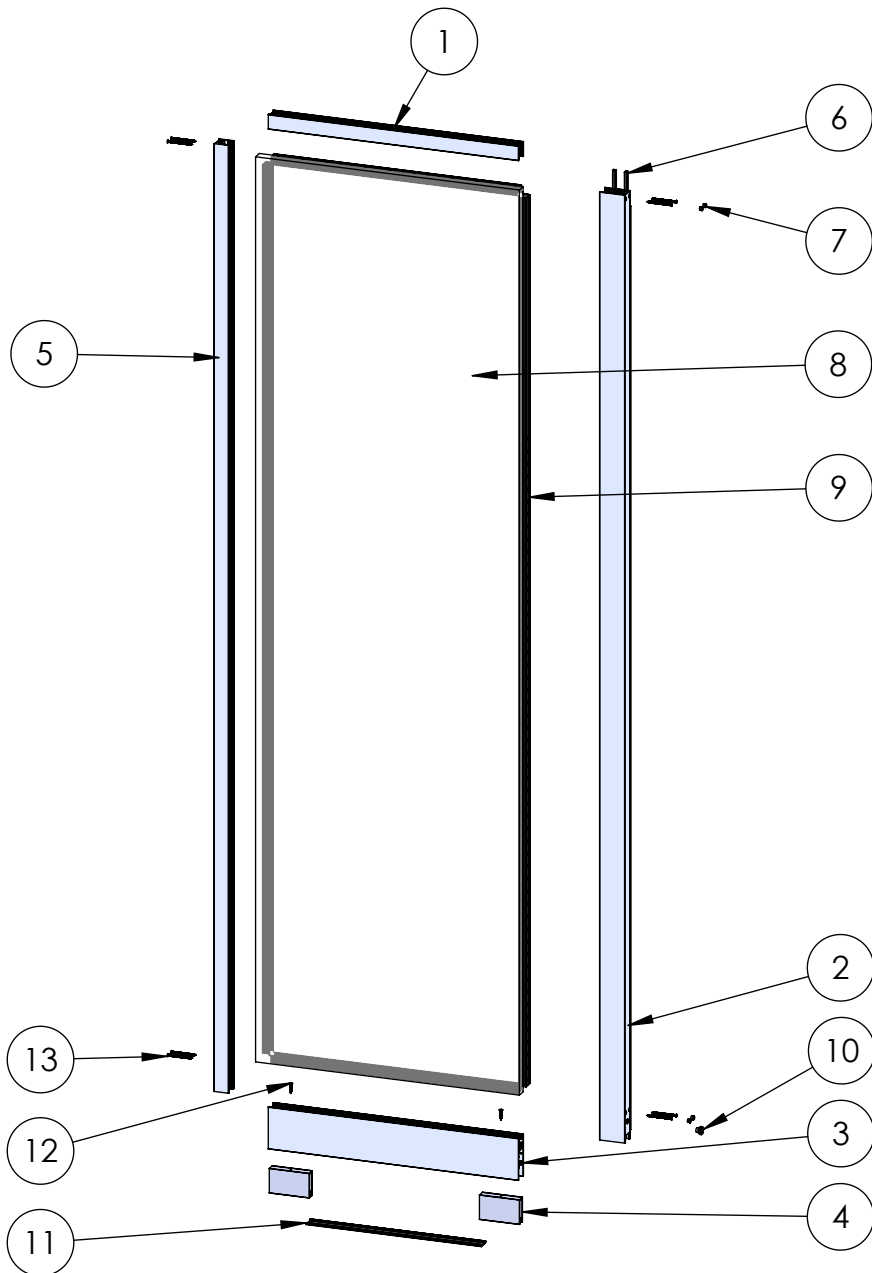
PROPRIETARY AND CONFIDENTIAL

THE INFORMATION CONTAINED IN THIS DRAWING IS THE SOLE PROPERTY OF FLEETWOOD WINDOWS & DOORS.
ANY REPRODUCTION IN PART OR AS A WHOLE WITHOUT THE WRITTEN PERMISSION OF FLEETWOOD WINDOWS & DOORS IS PROHIBITED.

Released 3/11/2026

SHEET 3 OF 12

ASSEMBLY / PARTS LIST (B.O.M.)



EXTRUSIONS

ITEM NO.	PART NUMBER	DESCRIPTION	QTY.
1	3075	Thermal Top Rail DG	1
2	3728	Thermal Interlocker Fixed	1
3	3789	Thermal Bottom Rail	1
4	3761	Fixed Panel Block	2
5	3073	Fixed Stile DG	1

HARDWARE

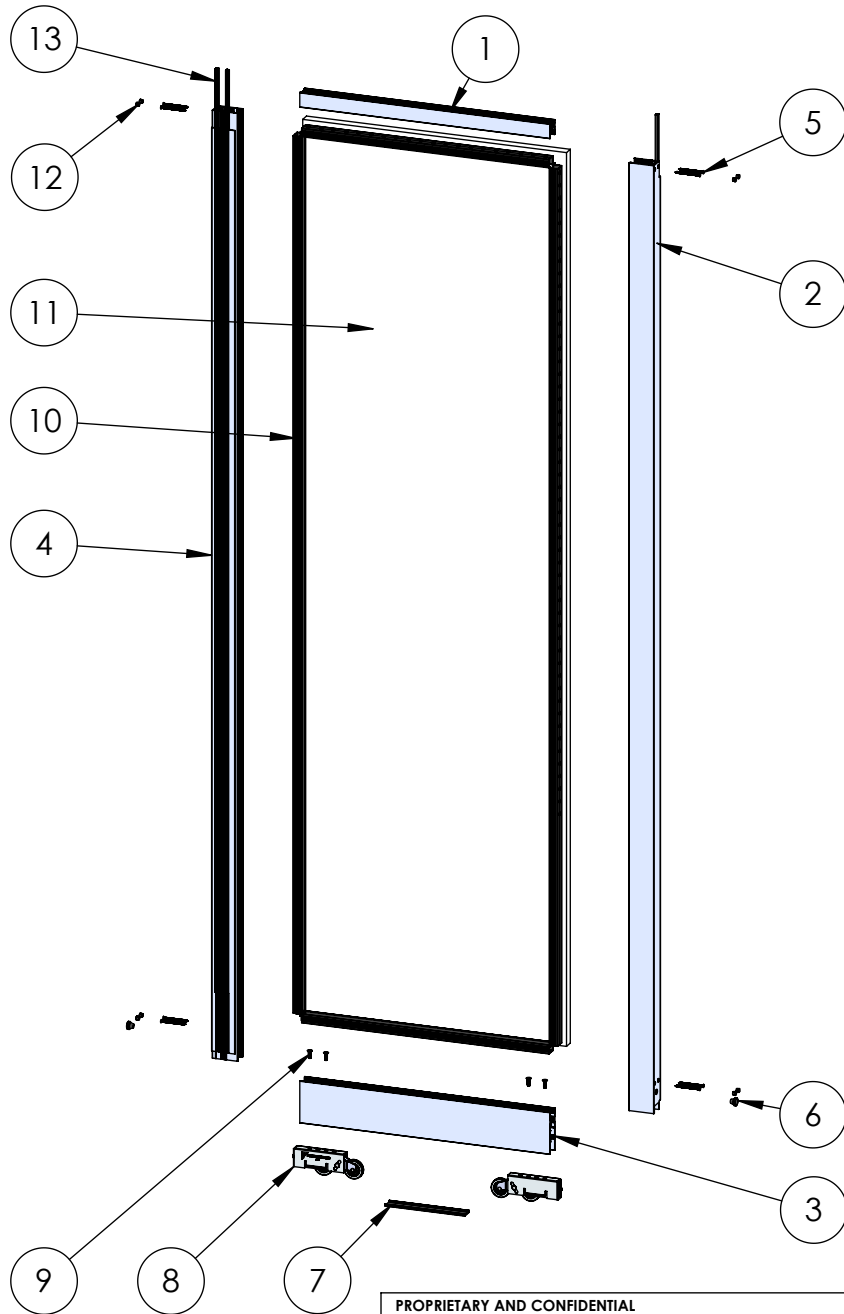
ITEM NO.	PART NUMBER	DESCRIPTION	QTY.
6	19117	Large Fin Seal Mohair	2
7	25907	Round Plug - Plastic - 5/16"	4
8	-	Glass	1
9	25032	1 Inch Glazing Vinyl (Tremco)	1
10	20635	Small Round Panel Plug (All Doors)	1
11	22938	PVC Rail Spreader, BL798	1
12	20293	#10 FHP-A, 1", SS, Clear	2
13	27635	#8 FHP-A, 2.5", SS, Clear	8

PROPRIETARY AND CONFIDENTIAL

THE INFORMATION CONTAINED IN THIS DRAWING IS THE SOLE PROPERTY OF FLEETWOOD WINDOWS & DOORS.
ANY REPRODUCTION IN PART OR AS A WHOLE WITHOUT THE WRITTEN PERMISSION OF FLEETWOOD WINDOWS & DOORS IS PROHIBITED.

Description O Panel Assembly	
File Name Series 3070-T OXXIXX No Screen Assembly	REV B
Released	3/11/2026
SHEET 4 OF 12	

ASSEMBLY / PARTS LIST (B.O.M.)



EXTRUSIONS

ITEM NO.	PART NUMBER	DESCRIPTION	QTY.
1	3075	Thermal Top Rail DG	1
2	3727	Thermal Interlocker Sliding	1
3	3789	Thermal Bottom Rail	1
4	3728	Thermal Interlocker Fixed	1

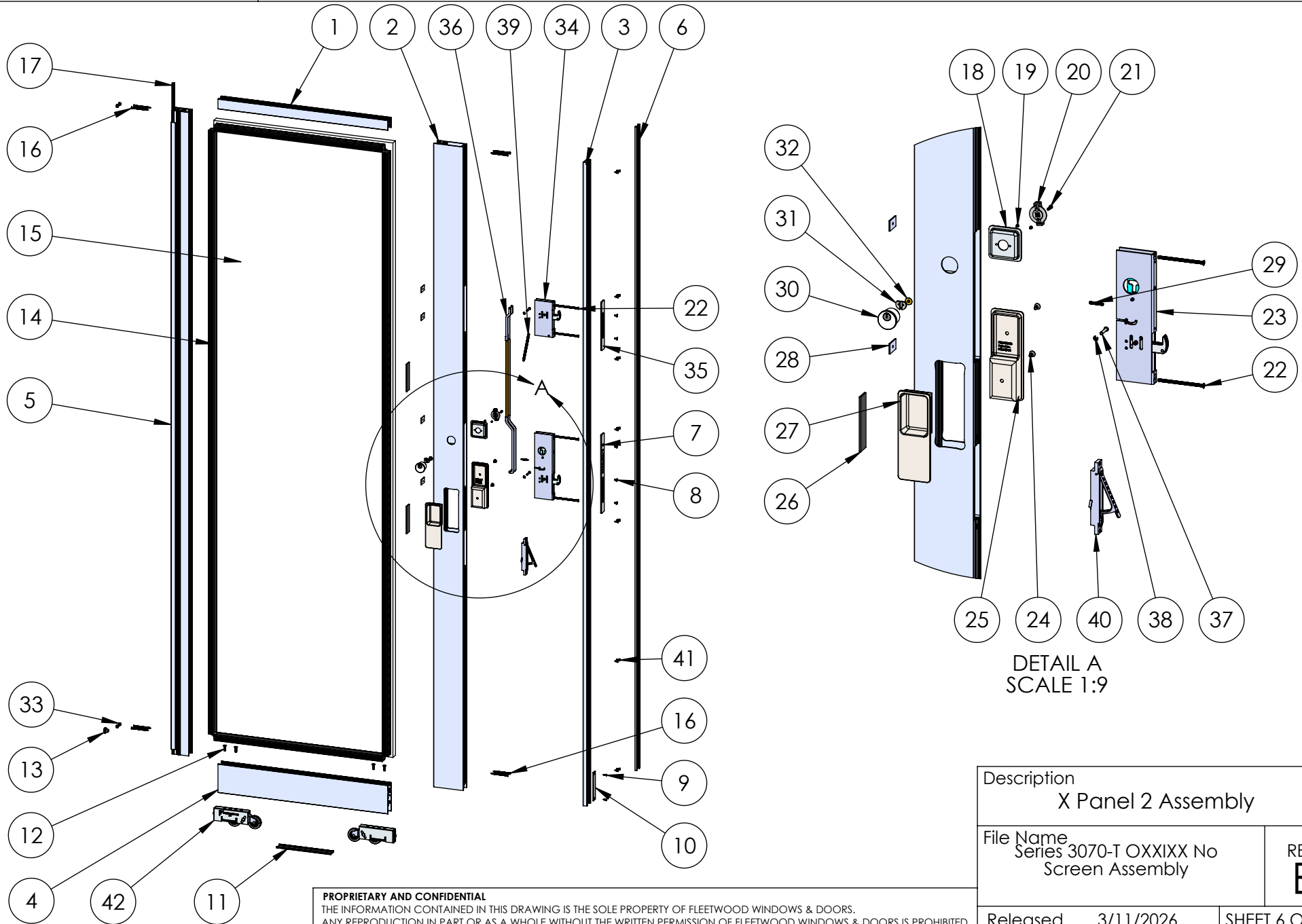
HARDWARE

ITEM NO.	PART NUMBER	DESCRIPTION	QTY.
5	27635	#8 FHP-A, 2.5", SS, Clear	8
6	20635	Small Round Panel Plug (All Doors)	2
7	22938	PVC Rail Spreader, BL798	1
8	20514	A2 Roller Assembly	2
9	20305	1/4-20 FHP - B, 3/4 in, SS Clear	4
10	22909	1 inch Glazing Vinyl (Shown)	1
11	-	Glass	1
12	25907	Round Plug - Plastic - 5/16"	8
13	19117	Large Fin Seal Mohair	3

PROPRIETARY AND CONFIDENTIAL
THE INFORMATION CONTAINED IN THIS DRAWING IS THE SOLE PROPERTY OF FLEETWOOD WINDOWS & DOORS.
ANY REPRODUCTION IN PART OR AS A WHOLE WITHOUT THE WRITTEN PERMISSION OF FLEETWOOD WINDOWS & DOORS IS PROHIBITED.

Description X Panel 1 Assembly	
File Name Series 3070-T OXXIXX No Screen Assembly	REV B
Released 3/11/2026	SHEET 5 OF 12

ASSEMBLY / PARTS LIST (B.O.M.)



PROPRIETARY AND CONFIDENTIAL
THE INFORMATION CONTAINED IN THIS DRAWING IS THE SOLE PROPERTY OF FLEETWOOD WINDOWS & DOORS.
ANY REPRODUCTION IN PART OR AS A WHOLE WITHOUT THE WRITTEN PERMISSION OF FLEETWOOD WINDOWS & DOORS IS PROHIBITED.

Description X Panel 2 Assembly	
File Name Series 3070-T OXXIXX No Screen Assembly	REV B
Released 3/11/2026	SHEET 6 OF 12

ASSEMBLY / PARTS LIST (B.O.M.)

EXTRUSIONS			
ITEM NO.	PART NUMBER	DESCRIPTION	QTY.
1	3075	Thermal Top Rail DG	1
2	3776	Thermal Lock Stile Archetype	1
3	3040	Female Yoke	1
4	3789	Thermal Bottom Rail	1
5	3727	Thermal Interlocker Sliding	1

HARDWARE			
ITEM NO.	PART NUMBER	DESCRIPTION	QTY.
6	19118	Small Fins Seal Mohair	2
7	26685	Archetype Latch Faceplate	1
8	24076, 25325	#8-32 FHS, 3/8" Hex Socket Flat (SS, Black)	5
9	20887	#6 FHP-A-UC Screw, 0.5 in. (SS)	2
10	25035	Meeting Stile Bumper Cover Plate	1
11	22938	PVC Rail Spreader, BL798	1
12	20305	1/4-20 FHP - B, 3/4 in, SS Clear	4
13	20635	Small Round Panel Plug (All Doors)	1
14	22909	1 Inch Glazing Vinyl with Corner Cuts	1
15	-	Glass	1
16	27635	#8 FHP-A, 2.5", SS, Clear	8
17	19117	Large Fin Seal Mohair	1
18	24767, 24081	Archetype Actuator Pocket, XO (SS, BLK)	1
19	24074	#4-40 FHP-UC, .188 in, SS, Clear	2
20	24079, 24766	Archetype Actuator (Black, SS)	1
21	24072, 24094	#6-32, Hex Socket Head Cap, Self Locking, 1/2", SS (Clear, Black)	1
22	25560	#10-32 FHP-B Screw, 3.375 in.	4
23	24070	OX Primary Latch	1
24	24087, 24093	#10-32 FH Socket Screw, 0.4375" (SS, BLK)	2

HARDWARE			
ITEM NO.	PART NUMBER	DESCRIPTION	QTY.
25	24089, 24091	Archetype Handle, Inside, with Gasket (SS, BLK)	1
26	18621	Setting Block (1/8 in x 4 in)	2
27	24090, 24092	Archetype Handle, Outside, with Gasket (SS, BLK)	1
28	18671	Back Up Plate # 10-32 x 0.075 Thk.	4
29	24935	#8-32 x 1" Set Screw (Reg. Arch. Cyl.)	1
30	See Table A	Key Cylinder Set	1
31	24780	Cam - (for Archetype Key Cylinder)	1
32	25681	Bushing-Key Cyl. - Narrow Arch.	1
33	25907	Round Plug - Plastic - 5/16"	4
34	24082	Archetype Secondary Latch	1
35	26686	Archetype Secondary Latch Faceplate, (Thermal)	1
36	26373	Secondary Latch Linkage	1
37	24128	Archetype Pin, Clevis Grooved	2
38	24129	E-Style Retaining Ring	2
39	26171	Spring Compensation	1
40	26135, 27679	Edge Pull (SS, BLK)	1
41	20240	#8 FHP - A - UC, .5 in, SS, Clear	Varies
42	20514	A2 Roller Assembly	2

Description
X Panel 2 Assembly B.O.M.

File Name
Series 3070-T OXXIXX No
Screen Assembly

REV
B

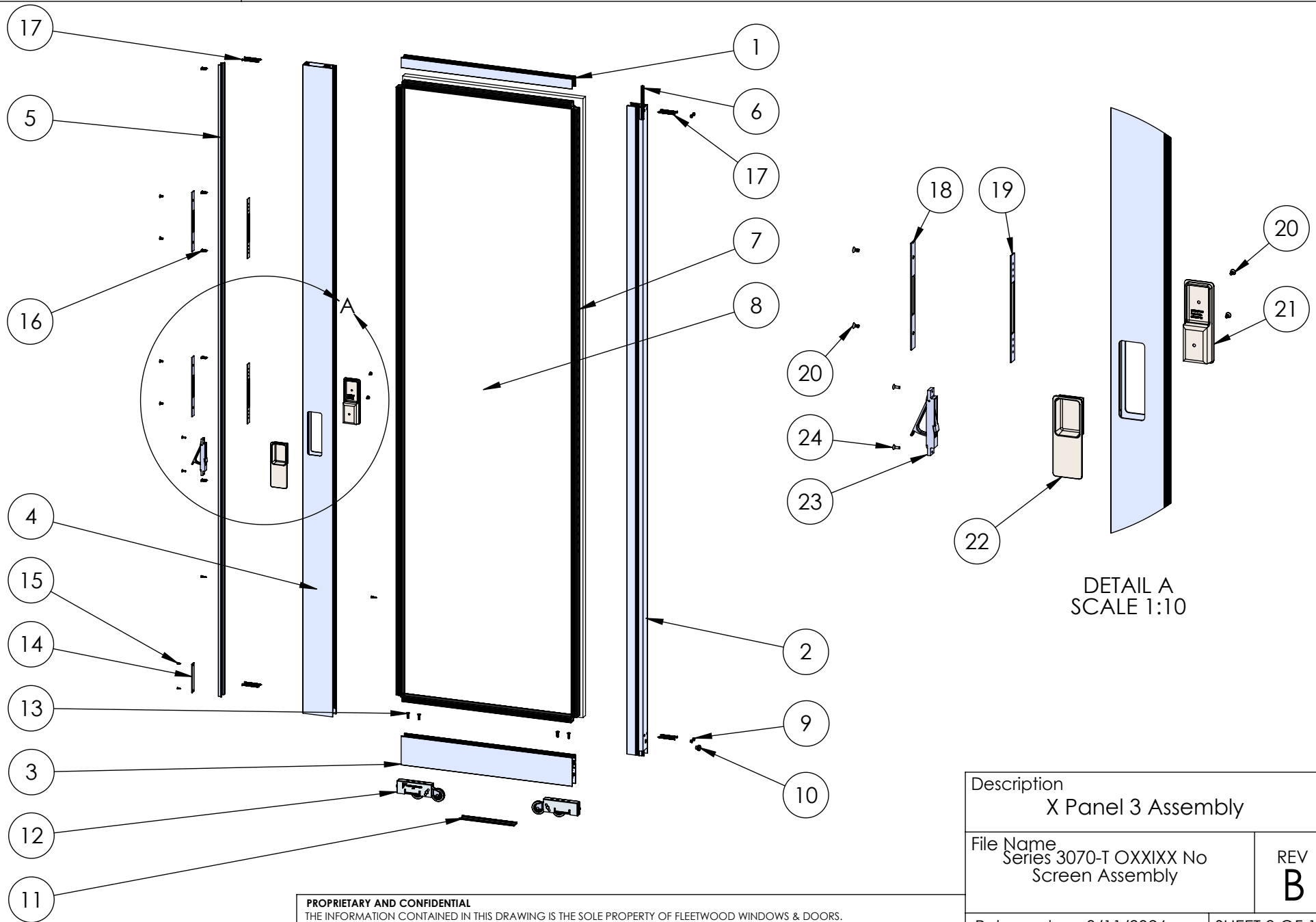
PROPRIETARY AND CONFIDENTIAL

THE INFORMATION CONTAINED IN THIS DRAWING IS THE SOLE PROPERTY OF FLEETWOOD WINDOWS & DOORS.
ANY REPRODUCTION IN PART OR AS A WHOLE WITHOUT THE WRITTEN PERMISSION OF FLEETWOOD WINDOWS & DOORS IS PROHIBITED.

Released 3/11/2026

SHEET 7 OF 12

ASSEMBLY / PARTS LIST (B.O.M.)



DETAIL A
 SCALE 1:10

PROPRIETARY AND CONFIDENTIAL
 THE INFORMATION CONTAINED IN THIS DRAWING IS THE SOLE PROPERTY OF FLEETWOOD WINDOWS & DOORS.
 ANY REPRODUCTION IN PART OR AS A WHOLE WITHOUT THE WRITTEN PERMISSION OF FLEETWOOD WINDOWS & DOORS IS PROHIBITED.

Description X Panel 3 Assembly	
File Name Series 3070-T OXXIXX No Screen Assembly	REV B
Released 3/11/2026	SHEET 8 OF 12

ASSEMBLY / PARTS LIST (B.O.M.)

EXTRUSIONS

ITEM NO.	PART NUMBER	DESCRIPTION	QTY.
1	3075	Thermal Top Rail DG	1
2	3727	Thermal Interlock Sliding	1
3	3789	Thermal Bottom Rail	1
4	3776	Thermal Lock Stile Archetype	1
5	3039	Male Yoke	1

HARDWARE

ITEM NO.	PART NUMBER	DESCRIPTION	QTY.
6	19117	Large Fin Seal Mohair	1
7	22909	1 Inch Glazing Vinyl with Corner Cuts	1
8	-	Glass	1
9	25907	Round Plug - Plastic - 5/16"	4
10	20635	Small Round Panel Plug (All Doors)	1
11	22938	PVC Rail Spreader, BL798	1
12	20514	A2 Roller Assembly	2
13	20305	1/4-20 FHP - B, 3/4 in, SS Clear	4
14	25035	Meeting Stile Bumper Cover Plate	1
15	20887	#6 FHP-A-UC Screw, 0.5 in. (SS)	2
16	20236	#6 PHP - A, .75, SS, Clear	Varies
17	27635	#8 FHP-A, 2.5", SS, Clear	8
18	24980	Strike Plate, Meeting Stile	2
19	24981	Strike Backup Plate, Meeting Stile	2
20	24087, 24093	#10-32 FH Socket Screw, 0.4375" (SS, BLK)	6

HARDWARE

ITEM NO.	PART NUMBER	DESCRIPTION	QTY.
21	24089, 24091	Archetype Handle, Inside, with Gasket (SS, BLK)	1
22	24090, 24092	Archetype Handle, Outside, with Gasket (SS, BLK)	1
23	26135, 27679	Edge Pull (SS, BLK)	1
24	26691	#8-32 FH Socket Screw, .5in, SS	2

Description
X Panel 3 Assembly B.O.M.

File Name
Series 3070-T OXXIXX No
Screen Assembly

REV
B

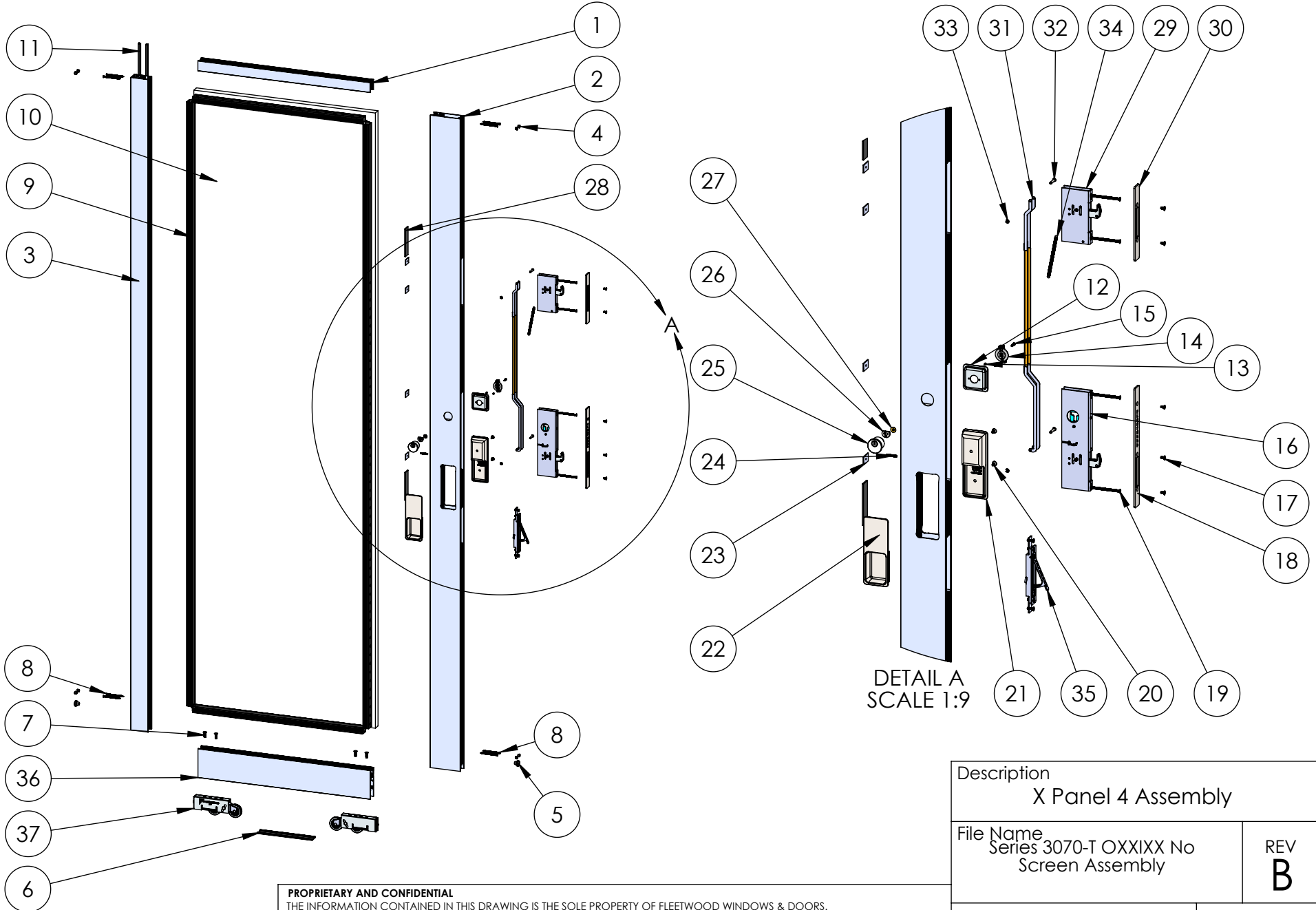
PROPRIETARY AND CONFIDENTIAL

THE INFORMATION CONTAINED IN THIS DRAWING IS THE SOLE PROPERTY OF FLEETWOOD WINDOWS & DOORS.
ANY REPRODUCTION IN PART OR AS A WHOLE WITHOUT THE WRITTEN PERMISSION OF FLEETWOOD WINDOWS & DOORS IS PROHIBITED.

Released 3/11/2026

SHEET 9 OF 12

ASSEMBLY / PARTS LIST (B.O.M.)



PROPRIETARY AND CONFIDENTIAL
THE INFORMATION CONTAINED IN THIS DRAWING IS THE SOLE PROPERTY OF FLEETWOOD WINDOWS & DOORS.
ANY REPRODUCTION IN PART OR AS A WHOLE WITHOUT THE WRITTEN PERMISSION OF FLEETWOOD WINDOWS & DOORS IS PROHIBITED.

Description X Panel 4 Assembly	
File Name Series 3070-T OXXIXX No Screen Assembly	REV B
Released	3/11/2026
SHEET 10 OF 12	

ASSEMBLY / PARTS LIST (B.O.M.)

EXTRUSIONS			
ITEM NO.	PART NUMBER	DESCRIPTION	QTY.
1	3075	Thermal Top Rail DG	1
2	3793	Thermal Lock Stile (Shear Free Strut)	1
3	3728	Thermal Interlocker Fixed	1
4	25907	Round Plug - Plastic - 5/16"	8
HARDWARE			
ITEM NO.	PART NUMBER	DESCRIPTION	QTY.
5	20635	Small Round Panel Plug (All Doors)	2
6	22938	PVC Rail Spreader, BL798	1
7	20305	1/4-20 FHP - B, 3/4 in, SS Clear	4
8	27635	#8 FHP-A, 2.5", SS, Clear	8
9	22909	1 inch Glazing Vinyl (Shown)	1
10	-	Glass	1
11	19117	Large Fin Seal Mohair	2
12	24767, 24081	Archetype Actuator Pocket, XO (SS, BLK)	1
13	24074	#4-40 FHP-UC, .188 in, SS, Clear	2
14	24079, 24766	Archetype Actuator (Black, SS)	1
15	24072, 24094	#6-32, Hex Socket Head Cap, Self Locking, 1/2", SS (Clear, Black)	1
16	24070	OX Primary Latch	1
17	24076, 25325	#8-32 FHS, 3/8" Hex Socket Flat (SS, Black)	5
18	26685	Archetype Latch Faceplate	1
19	25560	#10-32 FHP-B Screw, 3.375 in.	4
20	24087, 24093	#10-32 FH Socket Screw, 0.4375" (SS, BLK)	2

HARDWARE			
ITEM NO.	PART NUMBER	DESCRIPTION	QTY.
21	24089, 24091	Archetype Handle, Inside, with Gasket (SS, BLK)	1
22	24090, 24092	Archetype Handle, Outside, with Gasket (SS, BLK)	1
23	18671	Back Up Plate # 10-32 x 0.075 Thk.	4
24	24935	#8-32 x 1" Set Screw (Reg. Arch. Cyl.)	1
25	See Table A	Key Cylinder Set	1
26	24780	Cam - (for Archetype Key Cylinder)	1
27	25681	Bushing-Key Cyl. - Narrow Arch.	1
28	18621	Setting Block (1/8 in x 4 in)	2
29	24082	Archetype Secondary Latch	1
30	26686	Archetype Secondary Latch Faceplate, (Thermal)	1
31	26373	Secondary Latch Linkage	1
32	24128	Archetype Pin, Clevis Grooved	2
33	24129	E-Style Retaining Ring	2
34	26171	Spring Compensation	1
35	26136, 27680	Edge Pull Thermal (SS, BLK)	1
36	3789	Thermal Bottom Rail	1
37	20514	A2 Roller Assembly	2

Description
X Panel 4 Assembly B.O.M.

File Name
Series 3070-T OXXIXX No
Screen Assembly

REV
B

PROPRIETARY AND CONFIDENTIAL

THE INFORMATION CONTAINED IN THIS DRAWING IS THE SOLE PROPERTY OF FLEETWOOD WINDOWS & DOORS.
ANY REPRODUCTION IN PART OR AS A WHOLE WITHOUT THE WRITTEN PERMISSION OF FLEETWOOD WINDOWS & DOORS IS PROHIBITED.

Released 3/11/2026

SHEET 11 OF 12

ASSEMBLY / PARTS LIST (B.O.M.)

TABLE A: Key Cylinder Options

Keyed	Color	ID
Alike	Stainless	25356
	Black	24784
Different	Stainless	24782
	Black	24783

Description	
Tables	
File Name	REV
Series 3070-T OXXIXX No Screen Assembly	B
Released	SHEET 12 OF 12
3/11/2026	

PROPRIETARY AND CONFIDENTIAL

THE INFORMATION CONTAINED IN THIS DRAWING IS THE SOLE PROPERTY OF FLEETWOOD WINDOWS & DOORS.
ANY REPRODUCTION IN PART OR AS A WHOLE WITHOUT THE WRITTEN PERMISSION OF FLEETWOOD WINDOWS & DOORS IS PROHIBITED.