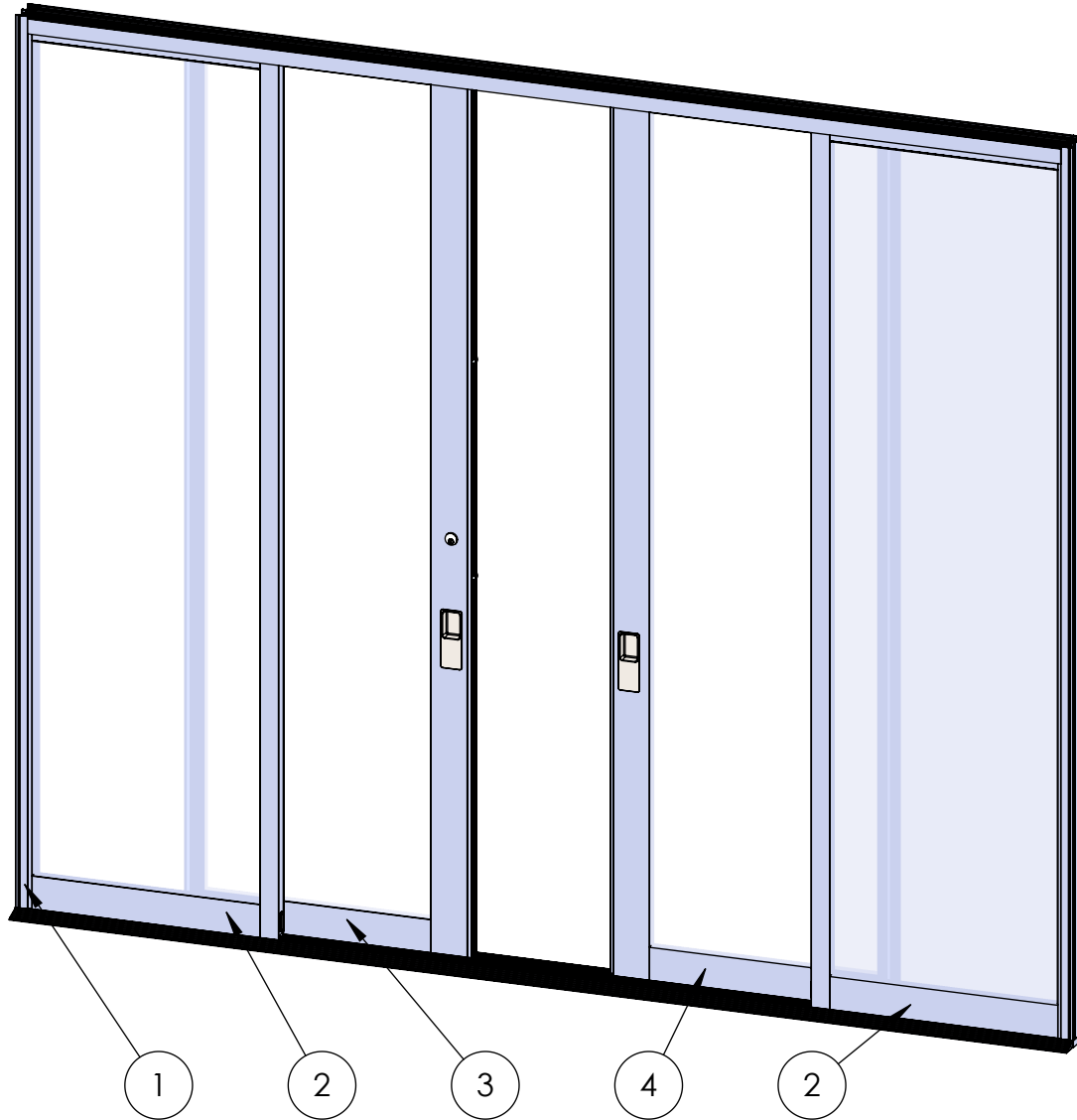


# ASSEMBLY / PARTS LIST (B.O.M.)

**Series: 3070**  
**Type: OXIXO Configuration**

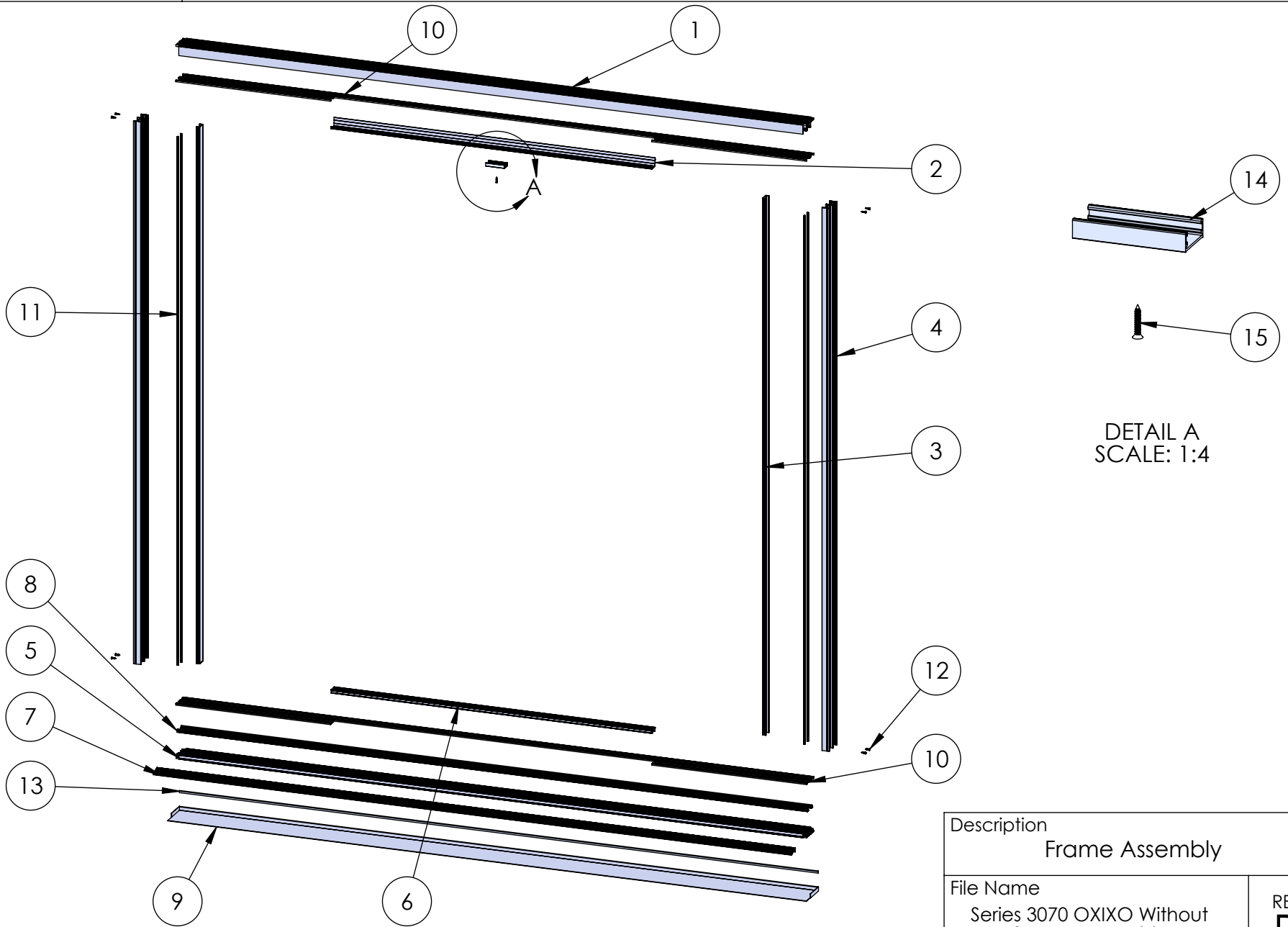
ITEM NO.	DESCRIPTION	PAGE #
1	Frame Assembly	2-3
2	Fixed Panel Assembly	4
3	Sliding Panel Assembly (XI)	5-6
4	Sliding Panel Assembly (IX)	7-8



Description Table of Contents	
File Name Series 3070 OXIXO Without Screen Assembly	REV <b>D</b>
Released 10/4/2024	SHEET 1 OF 8

**PROPRIETARY AND CONFIDENTIAL**  
THE INFORMATION CONTAINED IN THIS DRAWING IS THE SOLE PROPERTY OF FLEETWOOD WINDOWS & DOORS.  
ANY REPRODUCTION IN PART OR AS A WHOLE WITHOUT THE WRITTEN PERMISSION OF FLEETWOOD WINDOWS & DOORS IS PROHIBITED.

# ASSEMBLY / PARTS LIST (B.O.M.)



DETAIL A  
 SCALE: 1:4

**PROPRIETARY AND CONFIDENTIAL**  
 THE INFORMATION CONTAINED IN THIS DRAWING IS THE SOLE PROPERTY OF FLEETWOOD WINDOWS & DOORS.  
 ANY REPRODUCTION IN PART OR AS A WHOLE WITHOUT THE WRITTEN PERMISSION OF FLEETWOOD WINDOWS & DOORS IS PROHIBITED.

Description Frame Assembly	
File Name Series 3070 OXIXO Without Screen Assembly	REV <b>D</b>
Released 10/4/2024	SHEET 2 OF 8

# ASSEMBLY / PARTS LIST (B.O.M.)

## EXTRUSIONS

ITEM NO.	PART NUMBER	DESCRIPTION	QTY.
1	3702	Multi-Slide Head (2 Track)	1
2	3014	Head Filler Closer	1
3	3710	Jamb Filler	2
4	3712	Jamb (2 track)	2
5	3742	Multi-Slide Sill (2Track)	1
6	3747	Sill Filler	2
7	3752	Sill Riser (optional)	1
8	FW1020	Stainless Steel Track	2

## HARDWARE

ITEM NO.	PART NUMBER	DESCRIPTION	QTY.
9	-	Sill Pan	1
10	19118	Small Fin Seal Mohair	18
11	25757	Q-Lon Foam Seal	4
12	20345	#10 PHP - A, 3/4", Zinc, Clear	8
13	23220	Sill Pan Hem Cover	1
14	24098	Head Anti Lift	1
15	20247	#8, FHP - A Screw, 1 in, SS, Clear	1

Description  
Frame Assembly B.O.M.

File Name  
Series 3070 OXIXO Without  
Screen Assembly

REV  
**D**

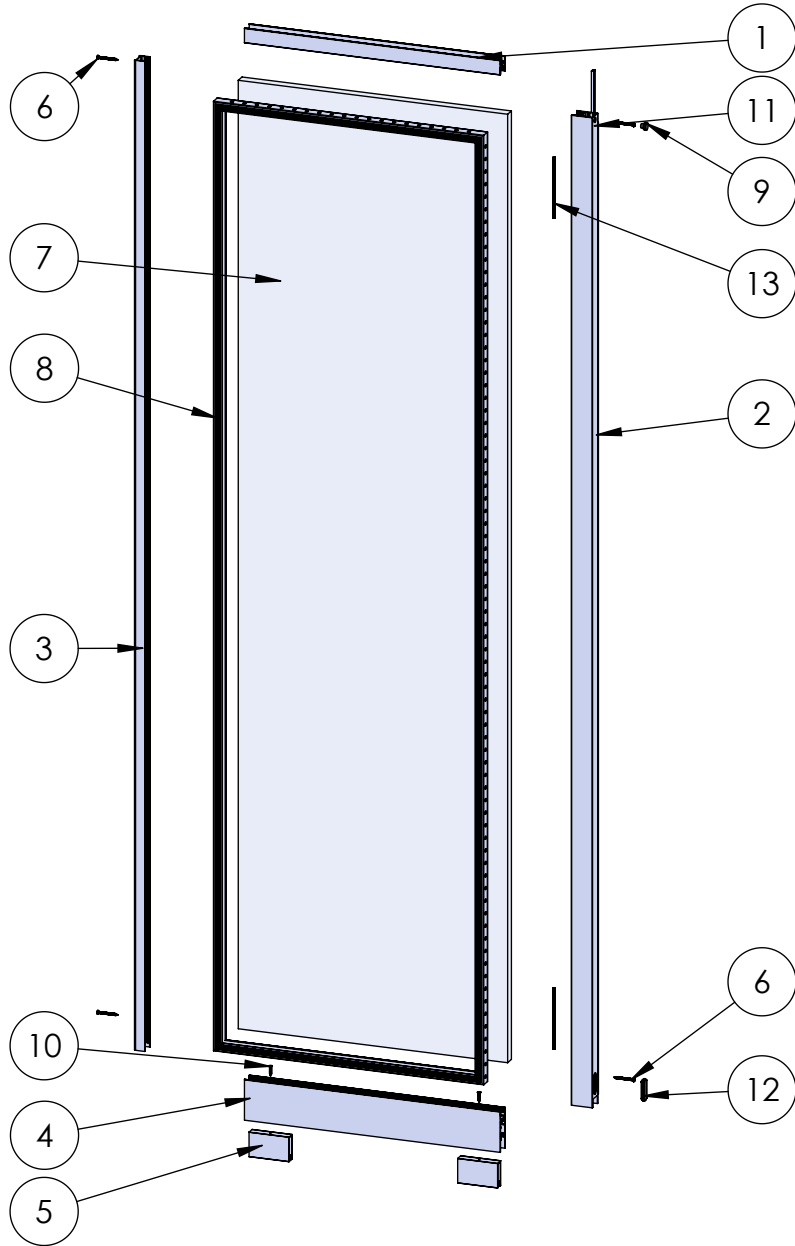
**PROPRIETARY AND CONFIDENTIAL**

THE INFORMATION CONTAINED IN THIS DRAWING IS THE SOLE PROPERTY OF FLEETWOOD WINDOWS & DOORS.  
ANY REPRODUCTION IN PART OR AS A WHOLE WITHOUT THE WRITTEN PERMISSION OF FLEETWOOD WINDOWS & DOORS IS PROHIBITED.

Released 10/4/2024

SHEET 3 OF 8

# ASSEMBLY / PARTS LIST (B.O.M.)



## EXTRUSIONS

ITEM NO.	PART NUMBER	DESCRIPTION	QTY.
1	3004	Top Rail	1
2	3006	Interlocker	1
3	3008	Fixed Stile	1
4	3709	Bottom Rail	1
5	25613	Fixed Panel Block	2

## HARDWARE

ITEM NO.	PART NUMBER	DESCRIPTION	QTY.
6	20355	#10 PHP - A, 2", SS, Clear	4
7	-	Glass	1
8	22909	1" Glazing Vinyl	1
9	20635	Small Round Panel Plug	1
10	20293	#10 FHP - A, 1", SS, Clear	2
11	19117	Large Fin Seal Mohair	1
12	18630	Oval Plug- Short	1
13	24672	Screen Spline .230" x 6"	2

Description  
Fixed Panel Assembly

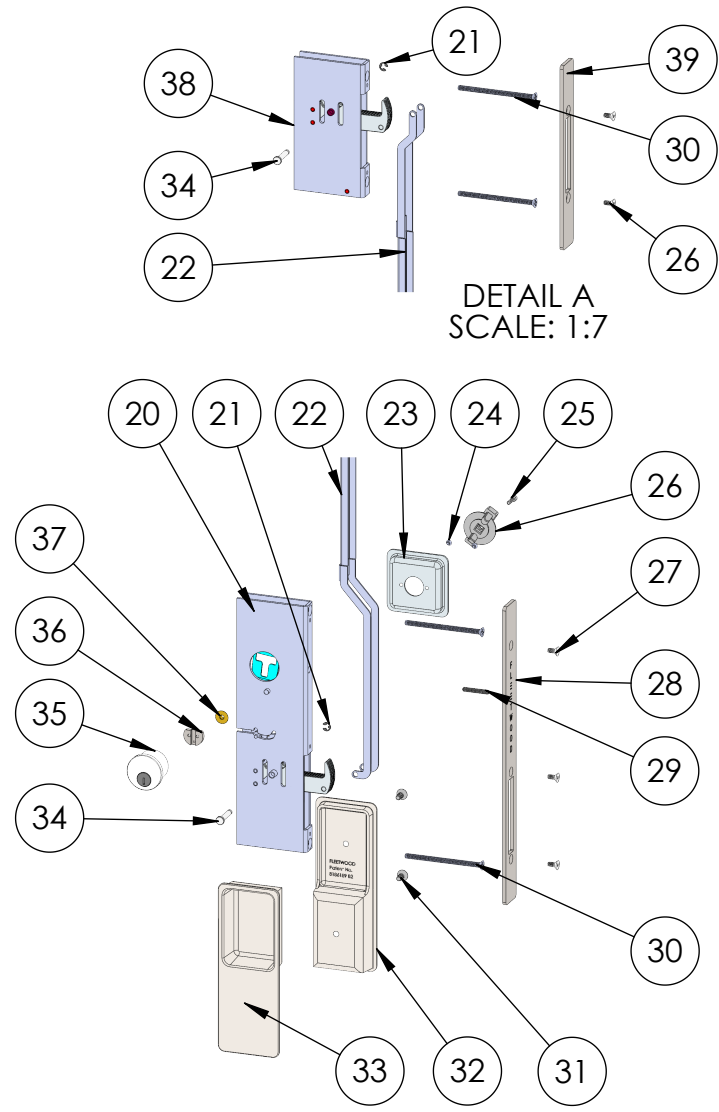
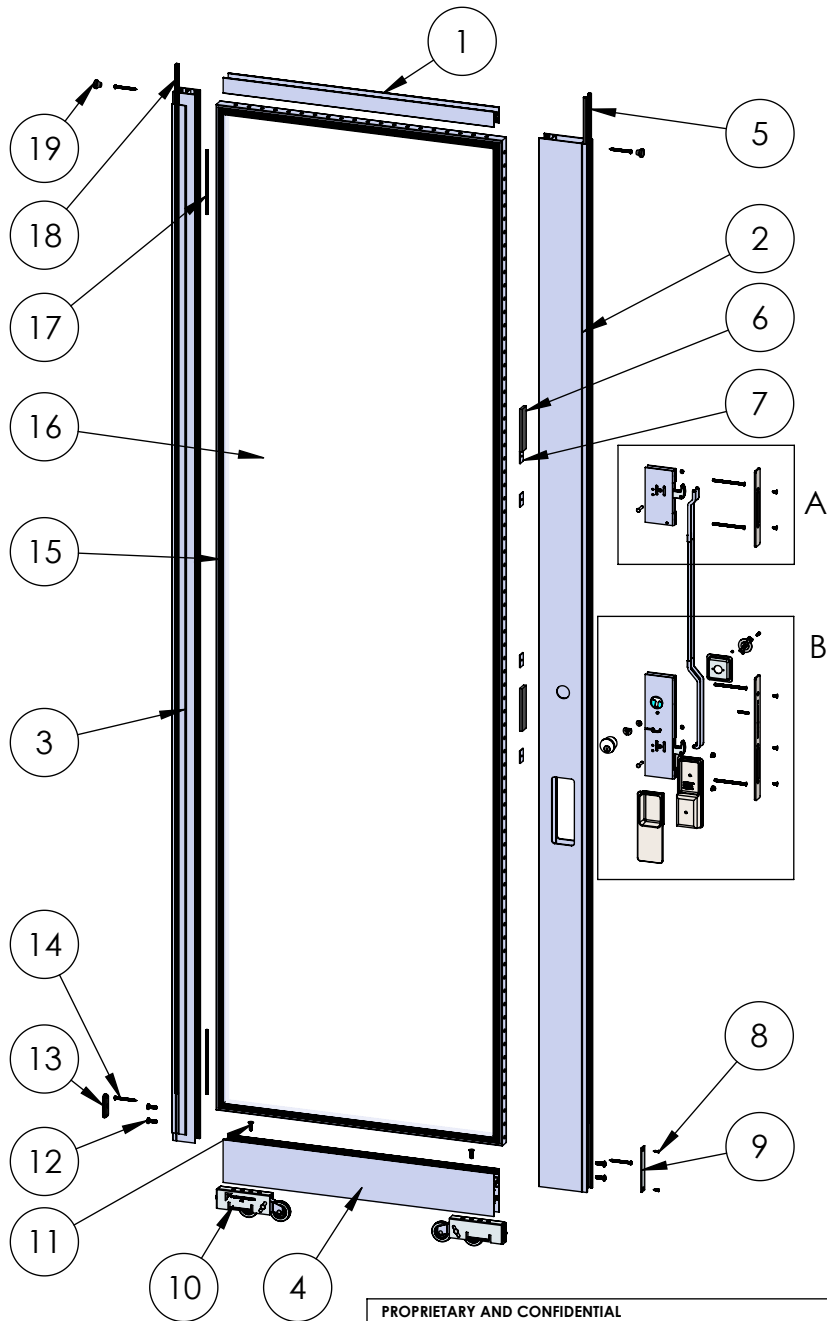
File Name  
Series 3070 OXIXO Without  
Screen Assembly

REV  
D

Released 10/4/2024

SHEET 4 OF 8

# ASSEMBLY / PARTS LIST (B.O.M.)



**PROPRIETARY AND CONFIDENTIAL**  
THE INFORMATION CONTAINED IN THIS DRAWING IS THE SOLE PROPERTY OF FLEETWOOD WINDOWS & DOORS.  
ANY REPRODUCTION IN PART OR AS A WHOLE WITHOUT THE WRITTEN PERMISSION OF FLEETWOOD WINDOWS & DOORS IS PROHIBITED.

Description Sliding Panel Assembly (XI)	
File Name Series 3070 OXIXO Without Screen Assembly	REV <b>D</b>
Released 10/4/2024	SHEET 5 OF 8

# ASSEMBLY / PARTS LIST (B.O.M.)

## EXTRUSIONS

ITEM NO.	PART NUMBER	DESCRIPTION	QTY.
1	3004	Top Rail	1
2	3707	Female Lock Stile	1
3	3006	Interlocker	1
4	3709	Bottom Rail	1

## HARDWARE

ITEM NO.	PART NUMBER	DESCRIPTION	QTY.
5	19118	Small Fin Seal Mohair	2
6	18620	Setting Block, .25 in.	2
7	18671	Back Up Plate # 10-32 x 0.075" Thk.	4
8	20887	#6 FHP-A-UC Screw, 0.5" (SS)	2
9	25035	Meeting Stile Bumper Cover Plate	1
10	20514	A2 Roller Assembly	2
11	20305	#1/4-20 FHP - B, 3/4", SS Clear	2
12	20358	1/4-20 PHP-B Screw, 0.75"	4
13	18630	Oval Plug- Short	1
14	20355	#10 PHP -A, 2", SS, Clear	4
15	22909	1" Glazing Vinyl	1
16	-	Glass	1
17	24672	Screen Spline .230" x 6"	2
18	19117	Large Fin Seal Mohair	1
19	20635	Small Round Panel Plug	2
20	24070	Archetype OX Primary Latch	1
21	24129	E-Style Retaining Ring	2
22	26373	Archetype Secondary Latch Linkage	1
23	24765, 24080	Archetype Actuator Pocket, OX (SS, BL)	1
24	24074	#4-40 FHP, UC, 1/8", SS, Clear	2
25	24072, 24094	#6-32, Hex Socket Head Cap, Self Locking, 1/2", SS (SS, BL)	1

## HARDWARE

ITEM NO.	PART NUMBER	DESCRIPTION	QTY.
26	24766, 24079	Archetype Actuator (SS, BL)	1
27	24076	#8-32 FH Socket Cap Screw, 3/8", SS	5
28	26685	Archetype Latch Faceplate	1
29	24935	#8-32 Set Screw, 1"	1
30	25729	#10-32 FHP, 3", SS, Clear	4
31	24087, 24093	#10-32 FH Socket Screw, 0.4375" (SS, BL)	2
32	24089, 24091	Archetype Handle, Inside, w/Gasket (SS, BL)	1
33	24090, 24092	Archetype Handle, Outside, w/Gasket (SS, BL)	1
34	24128	Clevis Pin (Archetype Narrow Secondary Latch)	2
35	25356, 24782, 24784, 24783	Archetype Keyed Cylinder [SS- (KA, KD), BL- (KA, KD)]	1
36	24780	Cam - (for the Archetype Key Cylinder)	1
37	24781	Brass Bushing - Key Cylinder Reg. Arch.	1
38	24082	Archetype Secondary Latch	1
39	26686	Archetype Secondary Latch Faceplate	1

Description  
Sliding Panel Assembly (XI) B.O.M.

File Name  
Series 3070 OXIXO Without  
Screen Assembly

REV  
D

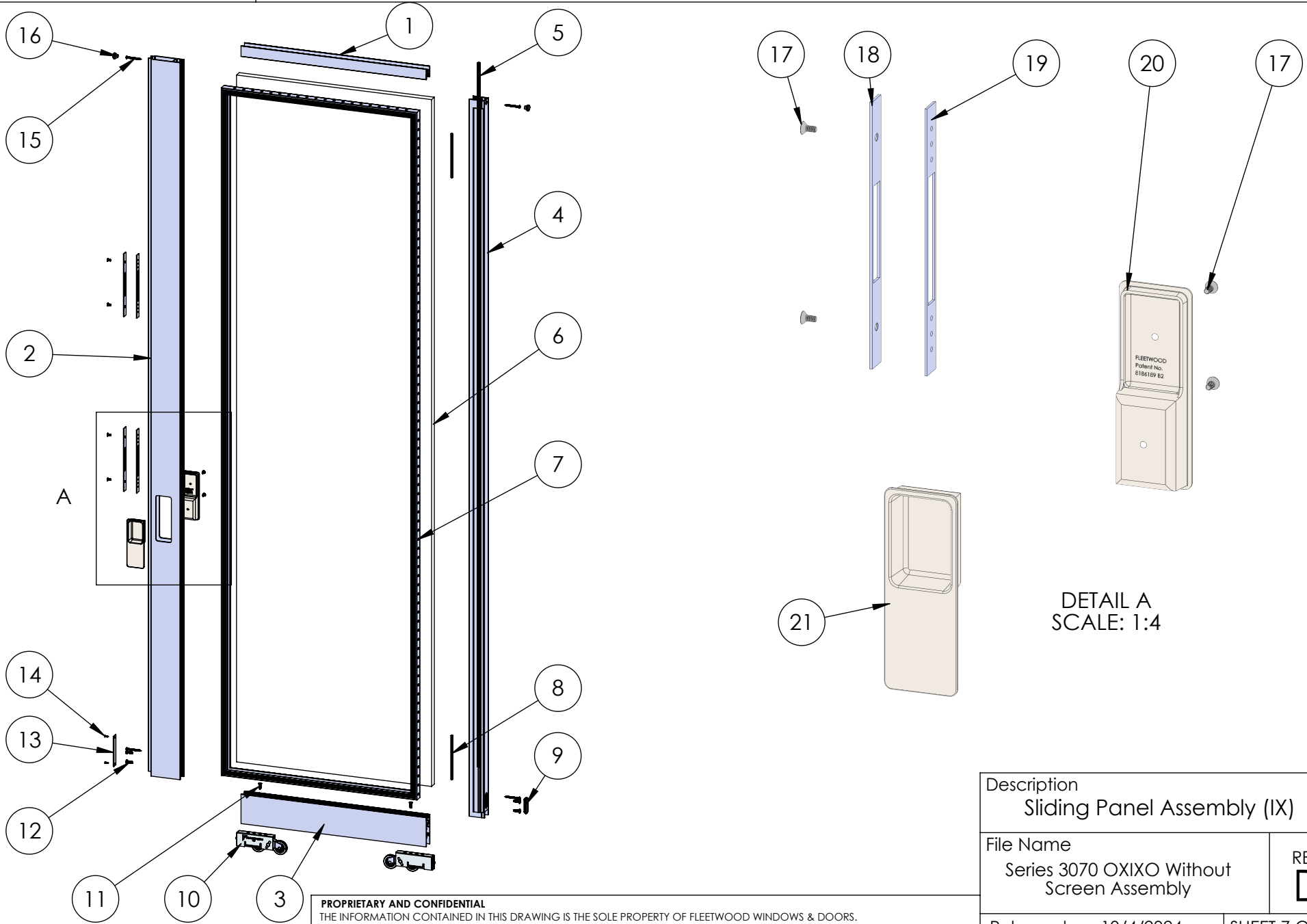
Released 10/4/2024

SHEET 6 OF 8

**PROPRIETARY AND CONFIDENTIAL**

THE INFORMATION CONTAINED IN THIS DRAWING IS THE SOLE PROPERTY OF FLEETWOOD WINDOWS & DOORS.  
ANY REPRODUCTION IN PART OR AS A WHOLE WITHOUT THE WRITTEN PERMISSION OF FLEETWOOD WINDOWS & DOORS IS PROHIBITED.

# ASSEMBLY / PARTS LIST (B.O.M.)



A

DETAIL A  
 SCALE: 1:4

**PROPRIETARY AND CONFIDENTIAL**  
 THE INFORMATION CONTAINED IN THIS DRAWING IS THE SOLE PROPERTY OF FLEETWOOD WINDOWS & DOORS.  
 ANY REPRODUCTION IN PART OR AS A WHOLE WITHOUT THE WRITTEN PERMISSION OF FLEETWOOD WINDOWS & DOORS IS PROHIBITED.

Description Sliding Panel Assembly (IX)	
File Name Series 3070 OXIXO Without Screen Assembly	REV <b>D</b>
Released 10/4/2024	SHEET 7 OF 8

# ASSEMBLY / PARTS LIST (B.O.M.)

## EXTRUSIONS

ITEM NO.	PART NUMBER	DESCRIPTION	QTY.
1	3004	Top Rail	1
2	3706	Male Lock Stile	1
3	3709	Bottom Rail	1
4	3006	Interlock	1

## HARDWARE

ITEM NO.	PART NUMBER	DESCRIPTION	QTY.
5	19117	Large Fin Seal Mohair	1
6	-	Glass	1
7	22909	1" Glazing Vinyl	1
8	24672	Screen Spline .230" x 6"	2
9	18630	Oval Plug- Short	1
10	20514	A2 Roller Assembly	2
11	20305	#1/4-20 FHP - B, 3/4", SS Clear	2
12	20358	1/4-20 PHP-B Screw, 0.75"	4
13	25035	Meeting Stile Bumper Cover Plate	1
14	20887	#6 FHP-A-UC Screw, 0.5" (SS)	2
15	20355	#10 PHP -A, 2", SS, Clear	4
16	20635	Small Round Panel Plug	2
17	24087, 24093	#10-32 FH Socket Screw, 0.4375" (SS, BL)	6
18	24980	Strike Plate, Meeting Stile	2
19	24981	Strike Backup Plate, Meeting Stile	2
20	24089, 24091	Archetype Handle, Inside, w/Gasket (SS, BL)	1
21	24090, 24092	Archetype Handle, Outside, w/Gasket (SS, BL)	1

Description  
Sliding Panel Assembly (IX) B.O.M.

File Name  
Series 3070 OXIXO Without  
Screen Assembly

REV  
**D**

**PROPRIETARY AND CONFIDENTIAL**

THE INFORMATION CONTAINED IN THIS DRAWING IS THE SOLE PROPERTY OF FLEETWOOD WINDOWS & DOORS.  
ANY REPRODUCTION IN PART OR AS A WHOLE WITHOUT THE WRITTEN PERMISSION OF FLEETWOOD WINDOWS & DOORS IS PROHIBITED.

Released 10/4/2024

SHEET 8 OF 8