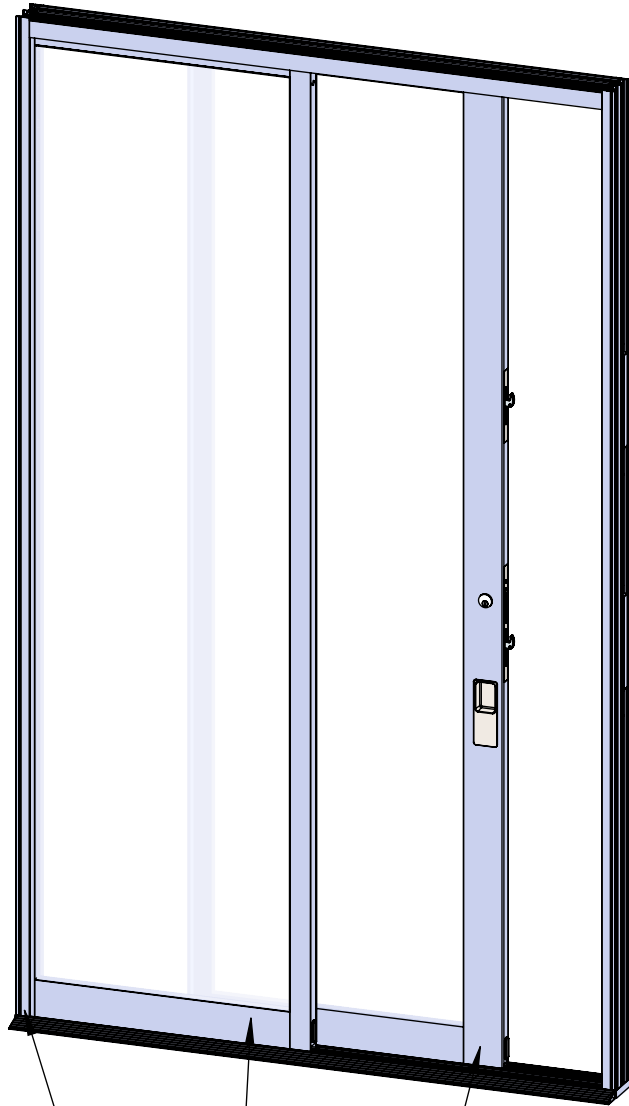


# ASSEMBLY / PARTS LIST (B.O.M.)

**Series: 3070**  
**Type: OX Configuration without Screen**



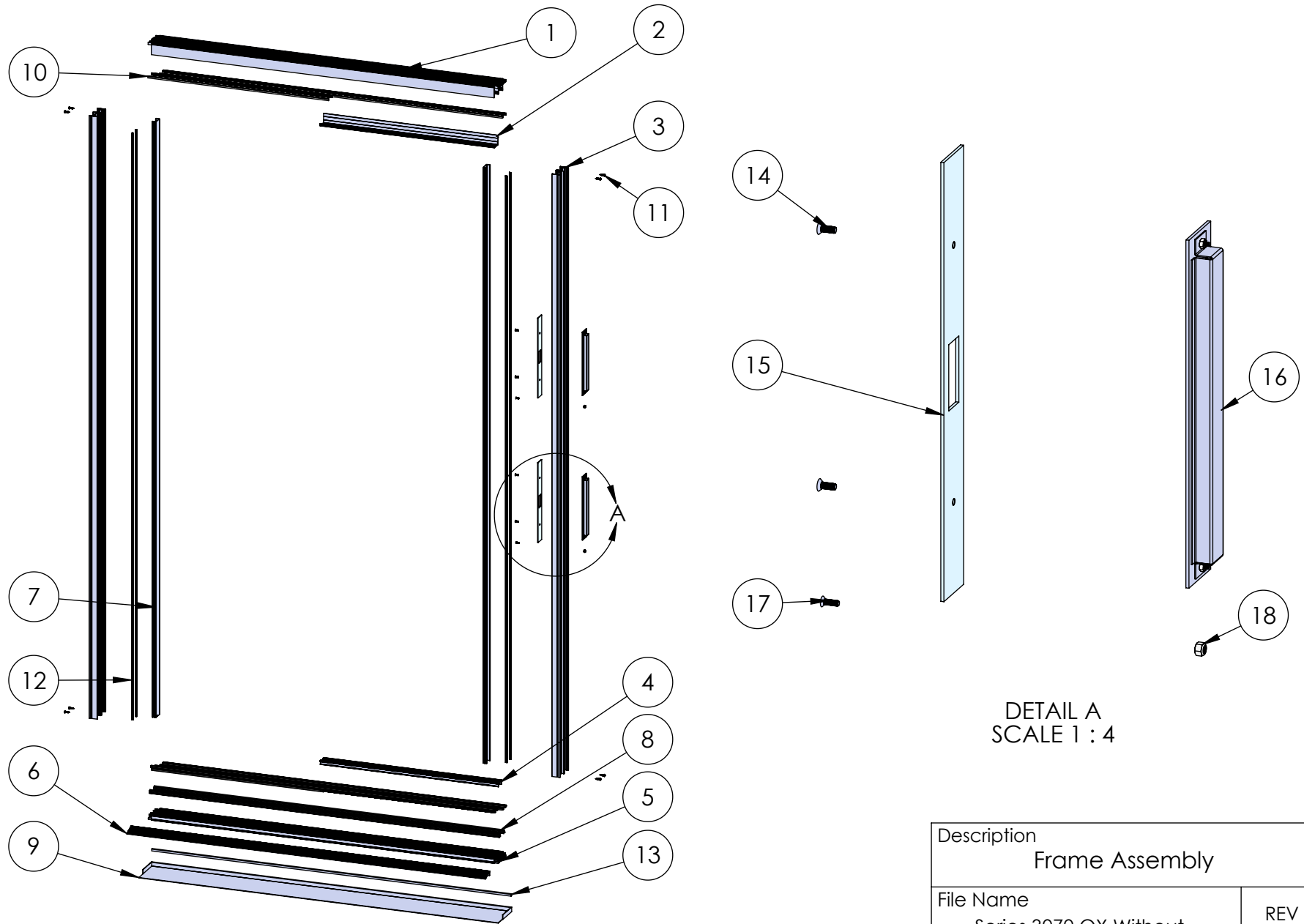
## TABLE OF CONTENTS

ITEM NO.	DESCRIPTION	PAGE #
1	Frame Assembly	2-3
2	Fixed Panel Assembly	4
3	Sliding Panel Assembly	5-6

Description Table of Contents	
File Name Series 3070 OX Without Screen Assembly	REV <b>E</b>
Released 1/12/2026	SHEET 1 OF 6

**PROPRIETARY AND CONFIDENTIAL**  
 THE INFORMATION CONTAINED IN THIS DRAWING IS THE SOLE PROPERTY OF FLEETWOOD WINDOWS & DOORS.  
 ANY REPRODUCTION IN PART OR AS A WHOLE WITHOUT THE WRITTEN PERMISSION OF FLEETWOOD WINDOWS & DOORS IS PROHIBITED.

# ASSEMBLY / PARTS LIST (B.O.M.)



DETAIL A  
 SCALE 1 : 4

**PROPRIETARY AND CONFIDENTIAL**  
 THE INFORMATION CONTAINED IN THIS DRAWING IS THE SOLE PROPERTY OF FLEETWOOD WINDOWS & DOORS.  
 ANY REPRODUCTION IN PART OR AS A WHOLE WITHOUT THE WRITTEN PERMISSION OF FLEETWOOD WINDOWS & DOORS IS PROHIBITED.

Description Frame Assembly	
File Name Series 3070 OX Without Screen Assembly	REV <b>E</b>
Released 1/12/2026	SHEET 2 OF 6

# ASSEMBLY / PARTS LIST (B.O.M.)

## EXTRUSIONS

ITEM NO.	PART NUMBER	DESCRIPTION	QTY.
1	3702	Head (2 Track)	1
2	3014	Head Filler	1
3	3712	Jamb (2 Track)	2
4	3747	Sill Filler	2
5	3742	Sill (2 track)	1
6	3752	Sill Riser (optional)	1
7	3710	Jamb Filler	2
8	FW1020	Stainless Steel Track	2

## HARDWARE

ITEM NO.	PART NUMBER	DESCRIPTION	QTY.
9	-	Sill Pan	1
10	19118	Small Fin Seal Mohair	12
11	20347	#10 PHP Screw, .75", SS	8
12	25757	Q-Lon Foam Seal	4
13	23220	Sillpan Hem Cover	1
14	20278	#10-32 FHP-B-UC, 1/2", SS, Clear	4
15	24067	Strike Plate	2
16	24068	Backup Plate (With Dust Cover)	2
17	25497	#8-32 FHP,UC, .5", SS, Clear	2
18	25498	#8-32 Locknut with Nylon-Insert	2

Description  
Frame Assembly B.O.M.

File Name  
Series 3070 OX Without  
Screen Assembly

REV  
**E**

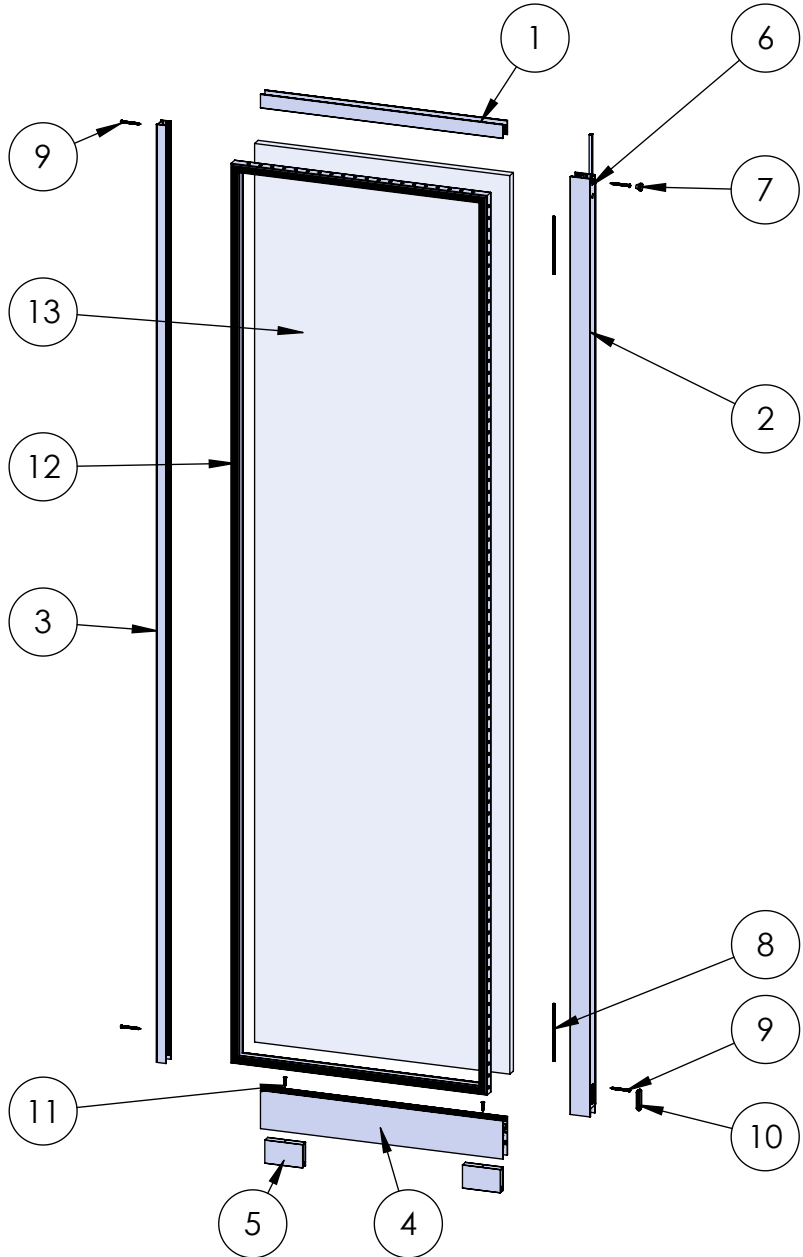
**PROPRIETARY AND CONFIDENTIAL**

THE INFORMATION CONTAINED IN THIS DRAWING IS THE SOLE PROPERTY OF FLEETWOOD WINDOWS & DOORS.  
ANY REPRODUCTION IN PART OR AS A WHOLE WITHOUT THE WRITTEN PERMISSION OF FLEETWOOD WINDOWS & DOORS IS PROHIBITED.

Released 1/12/2026

SHEET 3 OF 6

# ASSEMBLY / PARTS LIST (B.O.M.)



## EXTRUSIONS

ITEM NO.	PART NUMBER	DESCRIPTION	QTY.
1	3004	Top Rail	1
2	3006	Interlocker	1
3	3008	Fixed Stile	1
4	3709	Bottom Rail	1
5	25613	Fixed Panel Block	2

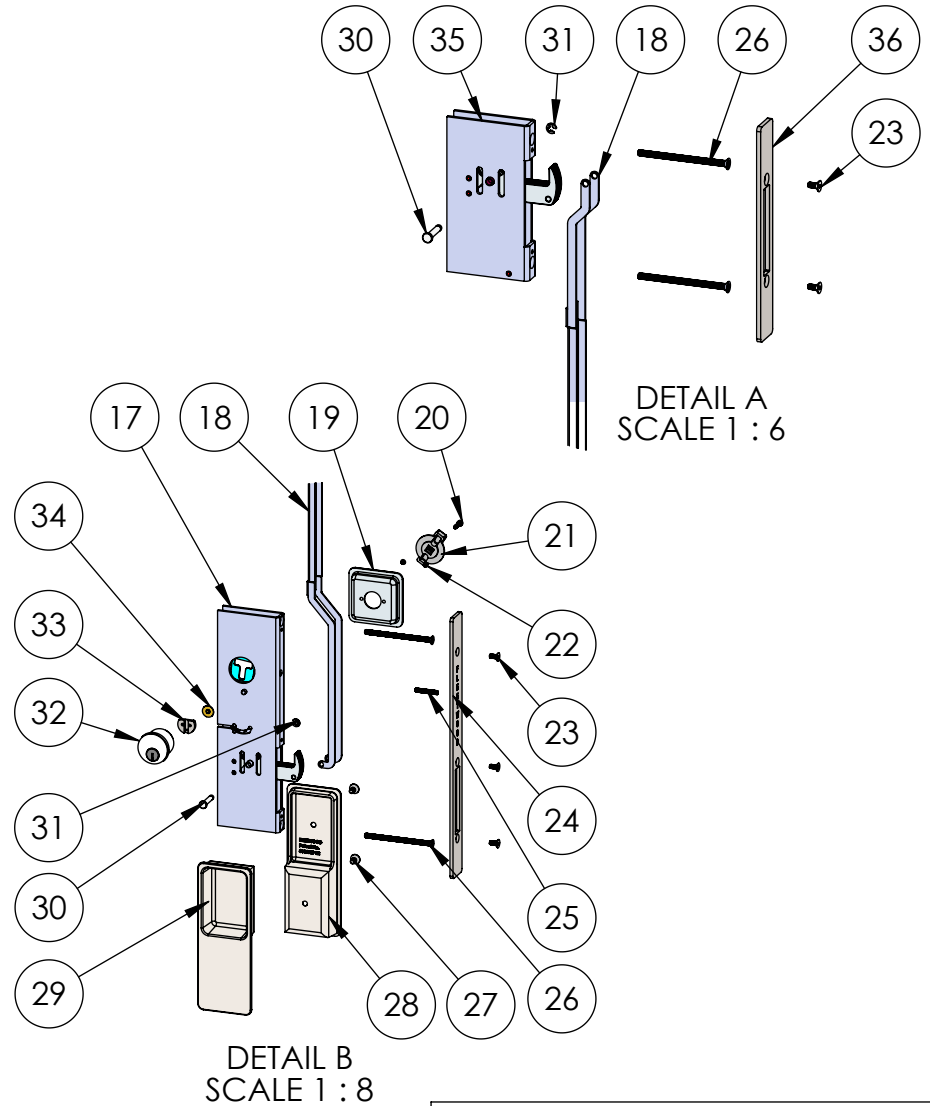
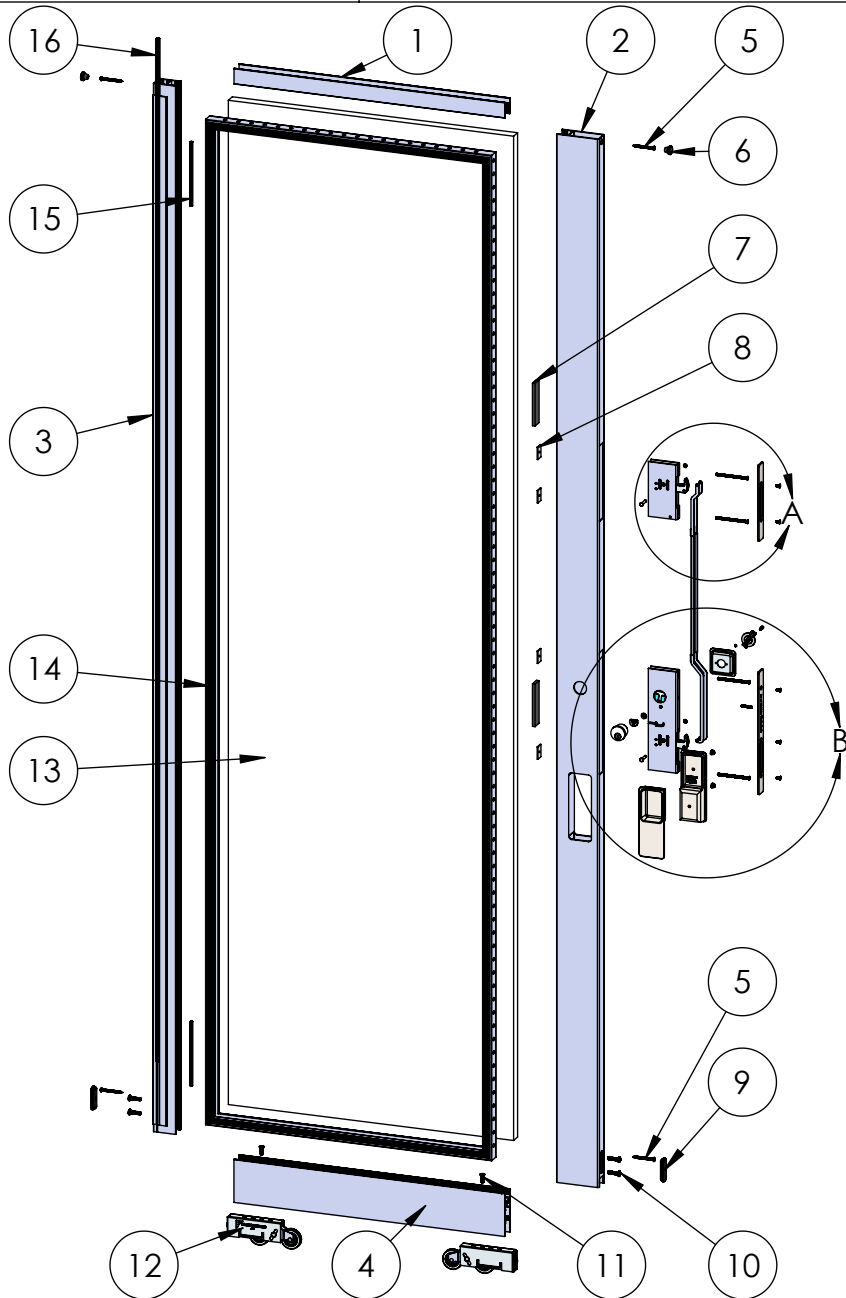
## HARDWARE

ITEM NO.	PART NUMBER	DESCRIPTION	QTY.
6	19117	Large Fin Seal Mohair	1
7	20635	Small Round Panel Plug	1
8	24672	Screen Spline .230" x 6"	2
9	20355	#10 PHP - A, 2", SS, Clear	4
10	18630	Oval Plug- Short	1
11	20293	#10 FHP - A, 1", SS, Clear	2
12	22909	1" Glazing Vinyl	1
13	-	Glass	1

Description Fixed Panel Assembly	
File Name Series 3070 OX Without Screen Assembly	REV <b>E</b>
Released 1/12/2026	SHEET 4 OF 6

**PROPRIETARY AND CONFIDENTIAL**  
THE INFORMATION CONTAINED IN THIS DRAWING IS THE SOLE PROPERTY OF FLEETWOOD WINDOWS & DOORS.  
ANY REPRODUCTION IN PART OR AS A WHOLE WITHOUT THE WRITTEN PERMISSION OF FLEETWOOD WINDOWS & DOORS IS PROHIBITED.

# ASSEMBLY / PARTS LIST (B.O.M.)



**PROPRIETARY AND CONFIDENTIAL**  
THE INFORMATION CONTAINED IN THIS DRAWING IS THE SOLE PROPERTY OF FLEETWOOD WINDOWS & DOORS.  
ANY REPRODUCTION IN PART OR AS A WHOLE WITHOUT THE WRITTEN PERMISSION OF FLEETWOOD WINDOWS & DOORS IS PROHIBITED.

Description Sliding Panel Assembly	
File Name Series 3070 OX Without Screen Assembly	REV <b>E</b>
Released 1/12/2026	SHEET 5 OF 6

# ASSEMBLY / PARTS LIST (B.O.M.)

## EXTRUSIONS

ITEM NO.	PART NUMBER	DESCRIPTION	QTY.
1	3004	Top Rail	1
2	3767	Archetype Lock Stile	1
3	3006	Interlocker	1
4	3709	Bottom Rail	1

## HARDWARE

ITEM NO.	PART NUMBER	DESCRIPTION	QTY.
5	20355	#10 PHP - A, 2", SS, Clear	4
6	20635	Small Round Door Bumper	2
7	18620	Setting Block, .25 in.	2
8	18671	Back Up Plate # 10-32 x 0.075" Thk.	4
9	18630	Oval Plug- Short	2
10	20359	#1/4-20 PHP - B. 1", SS, Clear	4
11	20305	#1/4-20 FHP-B Screw, .75"	2
12	20514	A2 Roller Assembly	2
13	-	Glass	1
14	22909	1" Glazing Vinyl	1
15	24672	Screen Spline .230" x 6"	2
16	19117	Large Fin Seal Mohair	1
17	24070	Archetype OX Primary Latch	1
18	26373	Archetype Secondary Latch Linkage	1
19	24765, 24080	Archetype Actuator Pocket, OX (SS, BL)	1
20	24072, 24094	#6-32, Hex Socket Head Cap, Self Locking, 1/2", SS (SS, BL)	1
21	24766, 24079	Archetype Actuator (SS, BL)	1
22	24074	#4-40 FHP, UC, 1/8", SS, Clear	2
23	24076	#8-32 FH Socket Cap Screw, 3/8", SS	5
24	26685	Archetype Latch Faceplate	1
25	24935	#8-32 Set Screw, 1"	1

## HARDWARE

ITEM NO.	PART NUMBER	DESCRIPTION	QTY.
26	25729	#10-32 FHP, 3", SS, Clear	4
27	24087, 24093	#10-32 FH Socket Screw, 0.375 in (SS, BL)	2
28	24089, 24091	Archetype Handle, Inside, w/Gasket (SS, BL)	1
29	24090, 24092	Archetype Handle, Outside, w/Gasket (SS, BL)	1
30	24128	Clevis Pin (Archetype Narrow Secondary Latch)	2
31	24129	E-Style Retaining Ring	2
32	25356, 24782	Archetype Keyed Cylinder (SS) (KA,KD) (with Cam/Bushing/Screw)	1
33	24780	Key Cylinder Cam	1
34	24781	Archetype Brass Bushing	1
35	24082	Archetype Secondary Latch	1
36	26686	Archetype Secondary Latch Faceplate	1

Description  
Sliding Panel Assembly B.O.M.

File Name  
Series 3070 OX Without  
Screen Assembly

REV  
**E**

**PROPRIETARY AND CONFIDENTIAL**

THE INFORMATION CONTAINED IN THIS DRAWING IS THE SOLE PROPERTY OF FLEETWOOD WINDOWS & DOORS.  
ANY REPRODUCTION IN PART OR AS A WHOLE WITHOUT THE WRITTEN PERMISSION OF FLEETWOOD WINDOWS & DOORS IS PROHIBITED.

Released 1/12/2026

SHEET 6 OF 6