

ASSEMBLY / PARTS LIST (B.O.M.)

Series: 3070
Type: OX Configuration with Screen

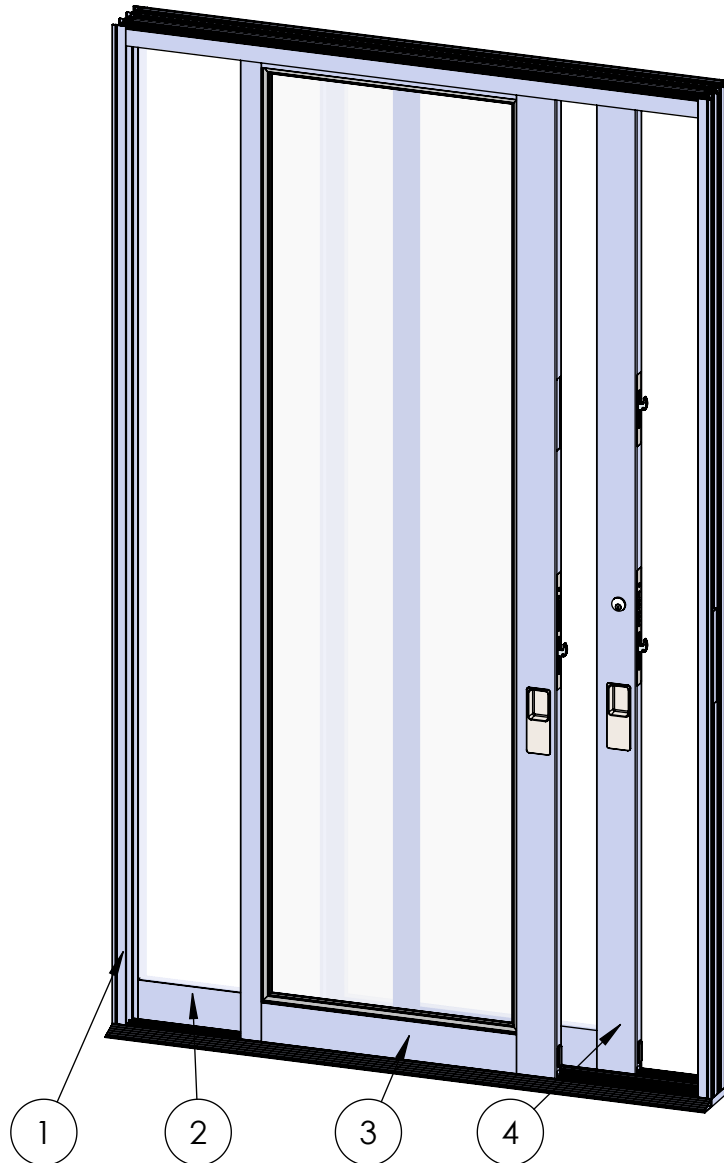
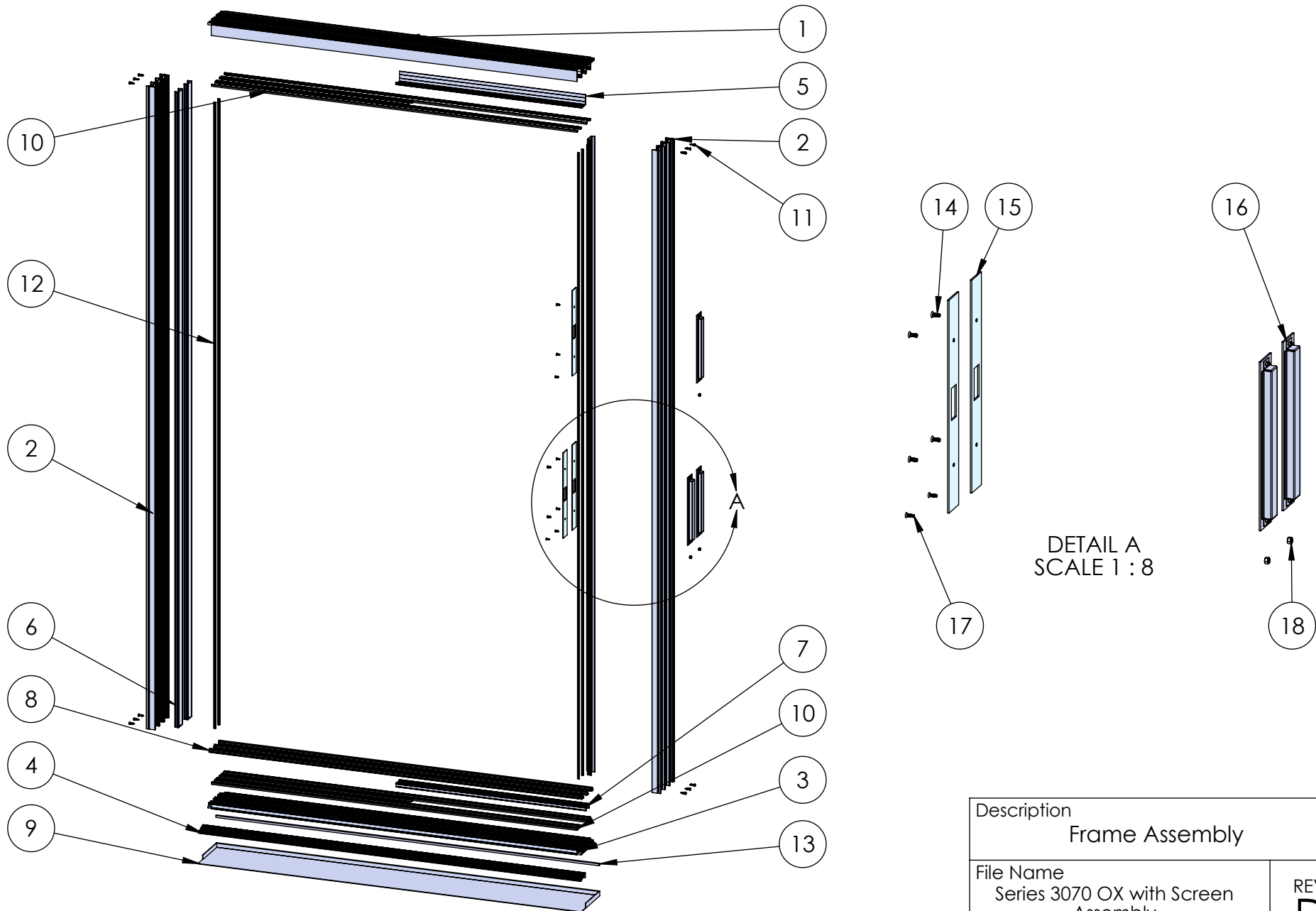


TABLE OF CONTENTS		
ITEM NO.	DESCRIPTION	PAGE #
1	Frame Assembly	2-3
2	Fixed Panel Assembly	4
3	Screen Panel Assembly	5-6
4	Sliding Panel Assembly	7-8

Description Table of Contents	
File Name Series 3070 OX with Screen Assembly	REV D
Released 10/2/2024	SHEET 1 OF 8

PROPRIETARY AND CONFIDENTIAL
 THE INFORMATION CONTAINED IN THIS DRAWING IS THE SOLE PROPERTY OF FLEETWOOD WINDOWS & DOORS.
 ANY REPRODUCTION IN PART OR AS A WHOLE WITHOUT THE WRITTEN PERMISSION OF FLEETWOOD WINDOWS & DOORS IS PROHIBITED.

ASSEMBLY / PARTS LIST (B.O.M.)



PROPRIETARY AND CONFIDENTIAL
 THE INFORMATION CONTAINED IN THIS DRAWING IS THE SOLE PROPERTY OF FLEETWOOD WINDOWS & DOORS.
 ANY REPRODUCTION IN PART OR AS A WHOLE WITHOUT THE WRITTEN PERMISSION OF FLEETWOOD WINDOWS & DOORS IS PROHIBITED.

Description Frame Assembly	
File Name Series 3070 OX with Screen Assembly	REV D
Released 10/2/2024	SHEET 2 OF 8

ASSEMBLY / PARTS LIST (B.O.M.)

EXTRUSIONS

ITEM NO.	PART NUMBER	DESCRIPTION	QTY.
1	3703	Multi-Slide Head (3 Track)	1
2	3713	Multi-Slide Jamb (3 Track)	2
3	3743	Multi-Slide Sill (3 Track)	1
4	3752	Sill Riser (optional)	1
5	3014	Head Filler	1
6	3710	Jamb Filler	3
7	3747	Sill Filler	2
8	FW1020	Stainless Steel Track	3

HARDWARE

ITEM NO.	PART NUMBER	DESCRIPTION	QTY.
9	-	Sill Pan	1
10	19118	Small Fin Seal Mohair	18
11	20347, 20348	#10 PHP Screw, .75", SS, (SS, BL)	12
12	25757	Q-Lon Foam Seal	6
13	23220	Sillpan Hem Cover	1
14	20278	#10-32 FHP-B-UC, 1/2", SS, Clear	6
15	24067	Strike Plate	3
16	24068	Backup Plate (With Dust Cover)	3
17	25497	#8-32 FHP, UC, 1/2", SS	3
18	25498	#8-32 Locknut with Nylon-Insert	3

Description
Frame Assembly B.O.M.

File Name
Series 3070 OX with Screen
Assembly

REV
D

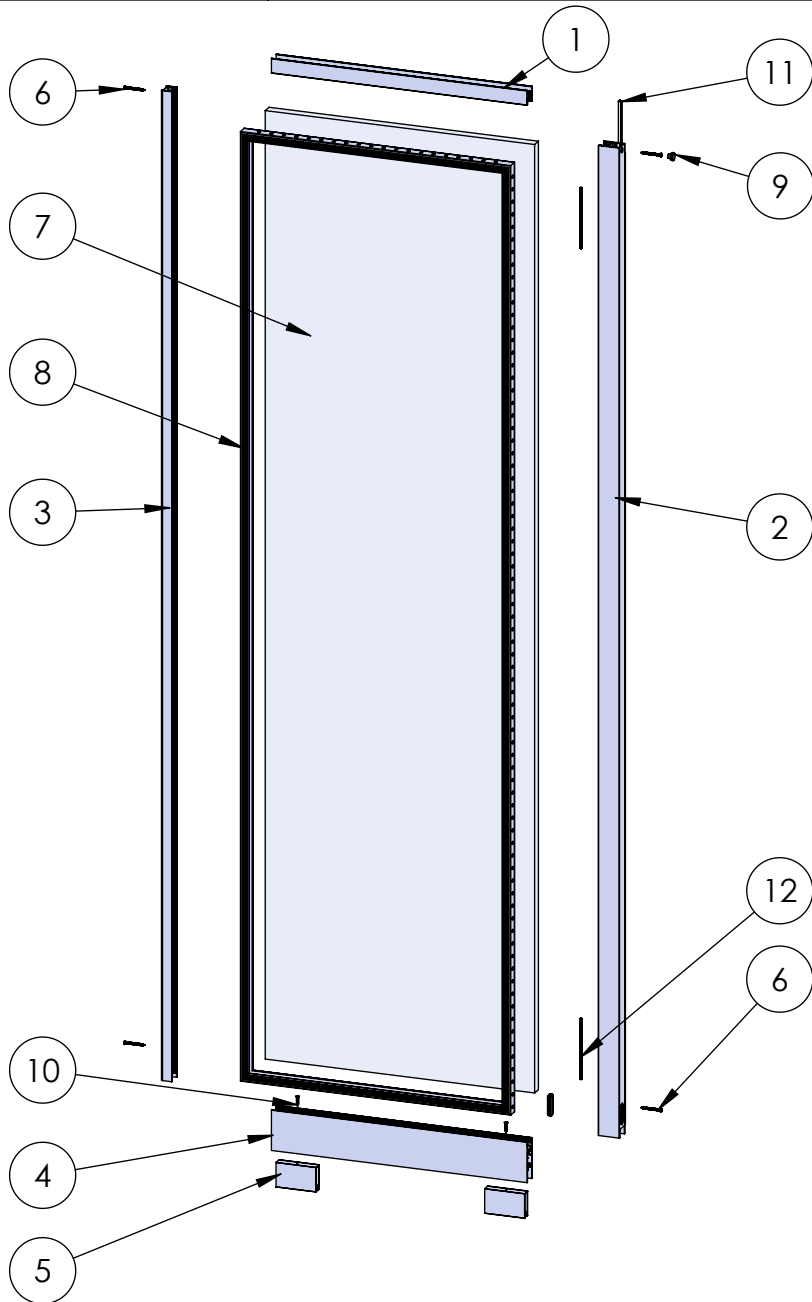
PROPRIETARY AND CONFIDENTIAL

THE INFORMATION CONTAINED IN THIS DRAWING IS THE SOLE PROPERTY OF FLEETWOOD WINDOWS & DOORS.
ANY REPRODUCTION IN PART OR AS A WHOLE WITHOUT THE WRITTEN PERMISSION OF FLEETWOOD WINDOWS & DOORS IS PROHIBITED.

Released 10/2/2024

SHEET 3 OF 8

ASSEMBLY / PARTS LIST (B.O.M.)



EXTRUSIONS

ITEM NO.	PART NUMBER	DESCRIPTION	QTY.
1	3004	Top Rail	1
2	3006	Interlocker	1
3	3008	Fixed Stile	1
4	3709	Bottom Rail	1

HARDWARE

ITEM NO.	PART NUMBER	DESCRIPTION	QTY.
5	25613	Fixed Panel Block	2
6	20355	#10 PHP - A, 2", SS, Clear	4
7	-	Glass	1
8	22909	1" Glazing Vinyl	1
9	20635	Small Round Panel Plug	1
10	20293	#10 FHP - A, 1", SS, Clear	2
11	19117	Large Fin Seal Mohair	1
12	24672	Screen Spline .230" x 6"	2
13	18630	Oval Plug- Short	1

Description
Fixed Panel Assembly

File Name
Series 3070 OX with Screen
Assembly

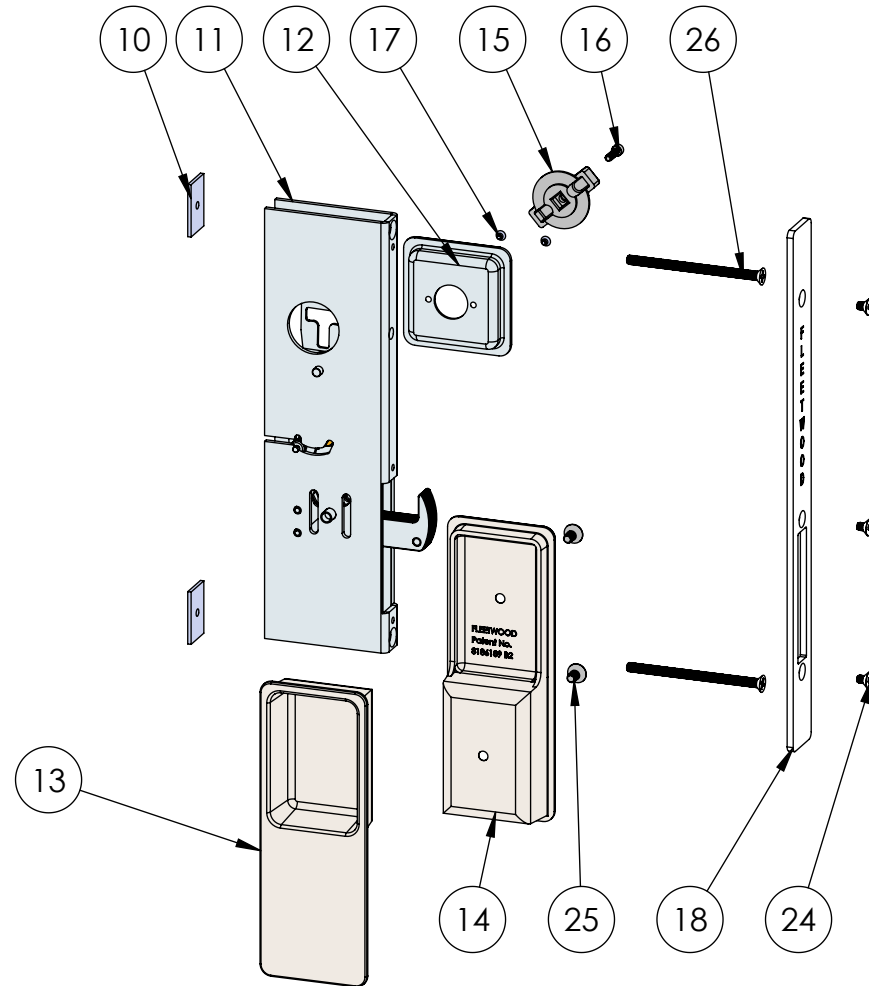
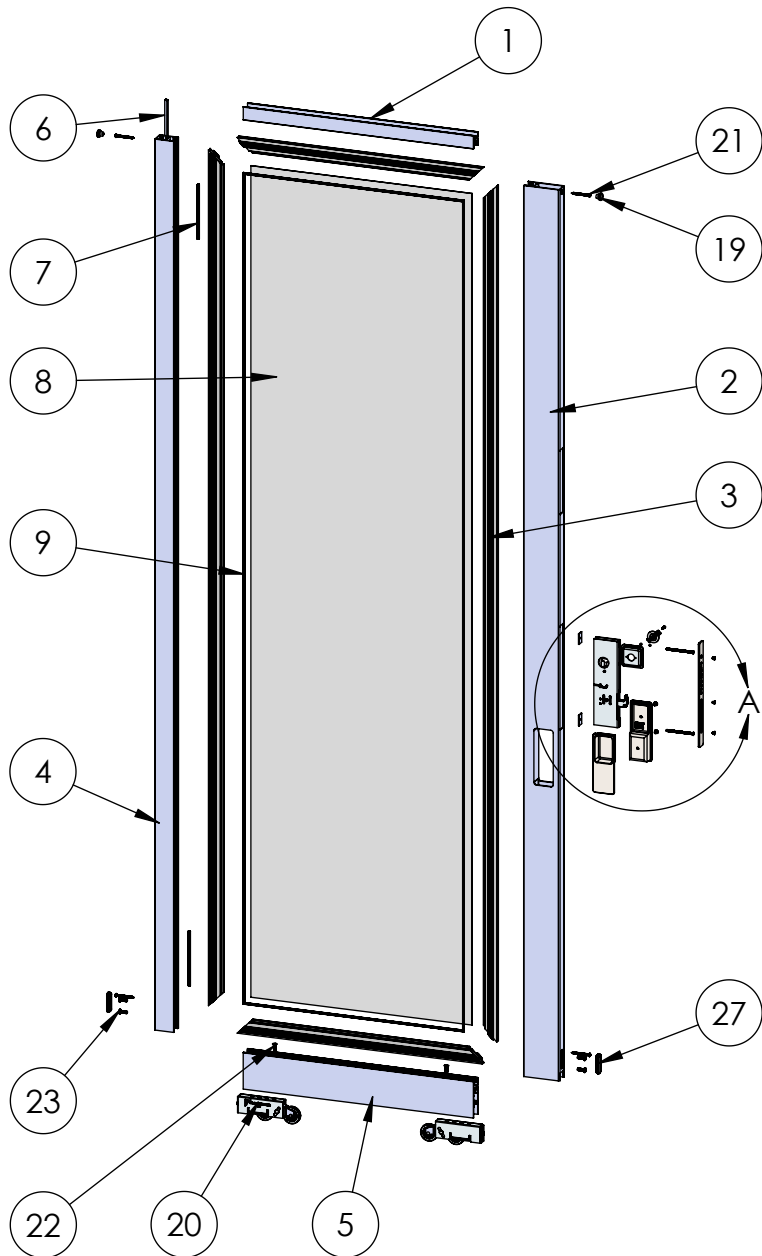
REV
D

PROPRIETARY AND CONFIDENTIAL
THE INFORMATION CONTAINED IN THIS DRAWING IS THE SOLE PROPERTY OF FLEETWOOD WINDOWS & DOORS.
ANY REPRODUCTION IN PART OR AS A WHOLE WITHOUT THE WRITTEN PERMISSION OF FLEETWOOD WINDOWS & DOORS IS PROHIBITED.

Released 10/2/2024

SHEET 4 OF 8

ASSEMBLY / PARTS LIST (B.O.M.)



DETAIL A
 SCALE 1 : 4

PROPRIETARY AND CONFIDENTIAL
 THE INFORMATION CONTAINED IN THIS DRAWING IS THE SOLE PROPERTY OF FLEETWOOD WINDOWS & DOORS.
 ANY REPRODUCTION IN PART OR AS A WHOLE WITHOUT THE WRITTEN PERMISSION OF FLEETWOOD WINDOWS & DOORS IS PROHIBITED.

Description Screen Panel Assembly	
File Name Series 3070 OX with Screen Assembly	REV D
Released 10/2/2024	SHEET 5 OF 8

ASSEMBLY / PARTS LIST (B.O.M.)

EXTRUSIONS

ITEM NO.	PART NUMBER	DESCRIPTION	QTY.
1	3004	Top Rail	1
2	3767	Archetype Lock Stile	1
3	3766	Screen Adapter	4
4	3006	Interlock	1
5	3709	Bottom Rail	1

HARDWARE

ITEM NO.	PART NUMBER	DESCRIPTION	QTY.
6	19117	Large Fin Seal Mohair	1
7	24672	Screen Spline .230" x 6"	2
8	-	Screen Mesh	1
9	19130	Screen Rubber Spline .160"	1
10	18671	Back Up Plate # 10-32 x 0.075" Thk.	2
11	24070	Archetype OX Primary Latch	1
12	24765, 24080	Archetype Actuator Pocket, OX (SS, BL)	1
13	24090, 24092	Archetype Handle, Outside, w/Gasket (SS, BL)	1
14	24089, 24091	Archetype Handle, Inside, w/Gasket (SS, BL)	1
15	24079, 24766	Archetype Actuator (Black, Clear)	1
16	24072, 24094	#6-32, Hex Socket Head Cap, Self Locking, 1/2", SS (SS, BL)	1
17	24074	#4-40 FHP Screw, .125"	2
18	26685	Archetype Latch Faceplate	1
19	20635	Small Round Door Bumper	2
20	20514	A2 Roller Assembly	2

HARDWARE

ITEM NO.	PART NUMBER	DESCRIPTION	QTY.
21	20355	#10 PHP - A, 2", SS, Clear	4
22	20305	#1/4-20 FHP-B Screw, .75"	2
23	20358	1/4-20 PHP-B Screw, 0.75"	4
24	24076, 25325	#8-32 FHS-B Screw, .25" (SS, BL)	3
25	24087, 24093	#10-32 FH Socket Screw, 0.375 in (SS, BL)	2
26	25729	#10-32 FHP, 3", SS, Clear	2
27	18630	Oval Plug- Short	2

Description
Screen Assembly B.O.M.

File Name
Series 3070 OX with Screen
Assembly

REV
D

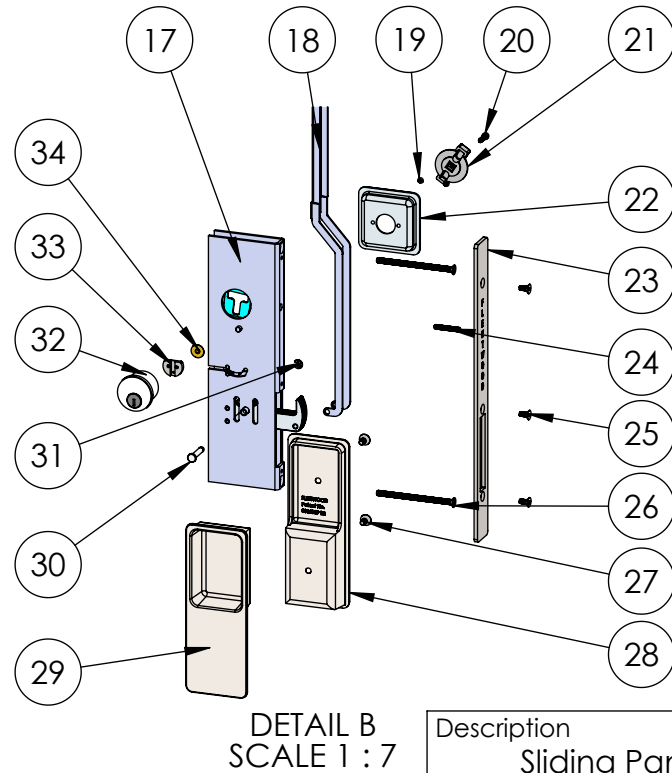
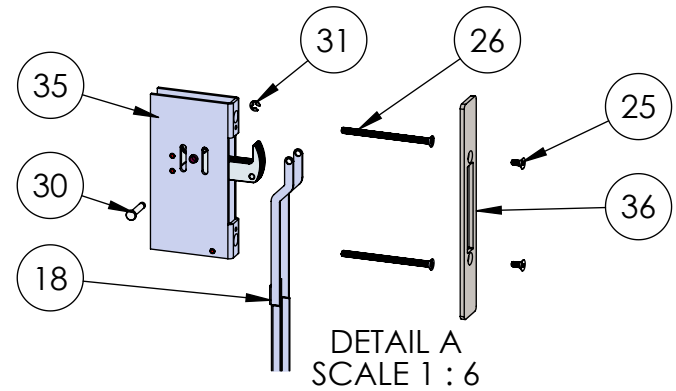
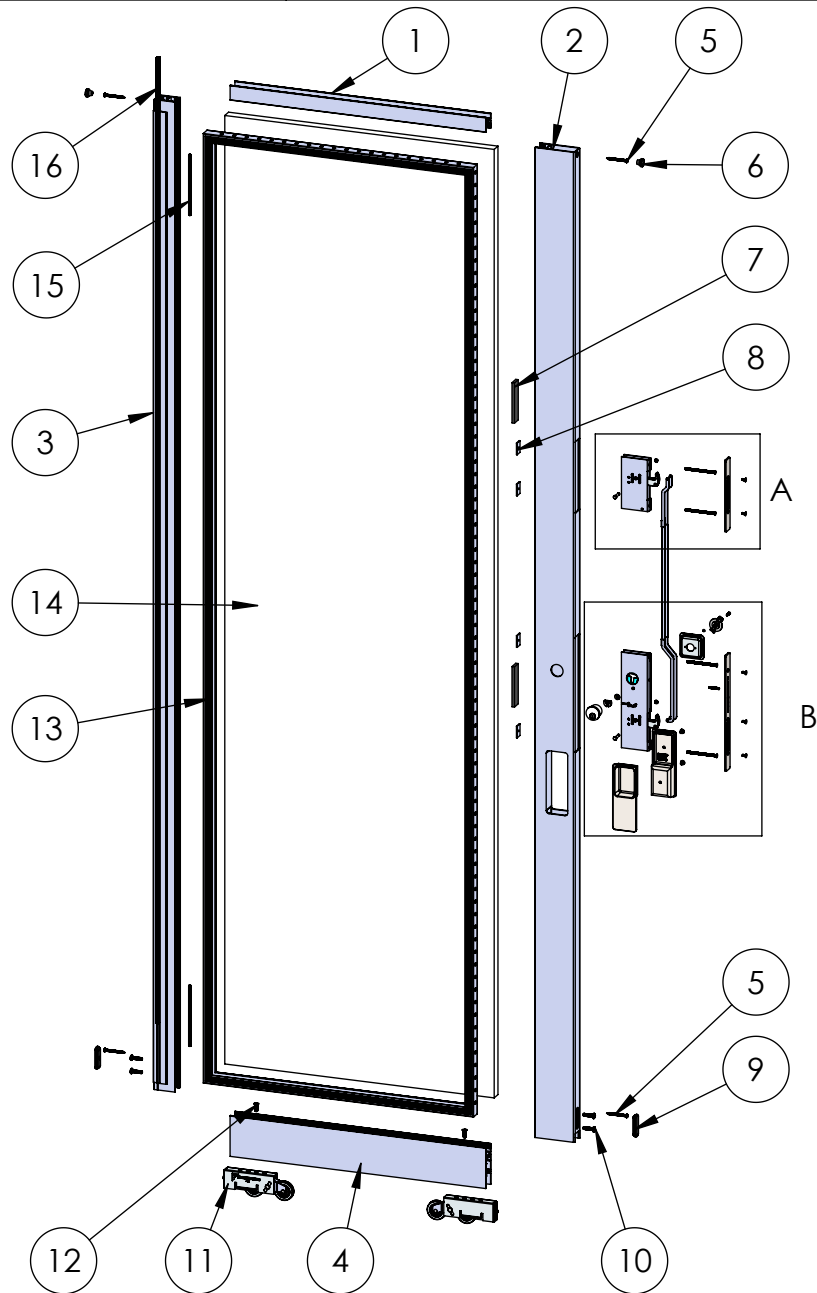
PROPRIETARY AND CONFIDENTIAL

THE INFORMATION CONTAINED IN THIS DRAWING IS THE SOLE PROPERTY OF FLEETWOOD WINDOWS & DOORS.
ANY REPRODUCTION IN PART OR AS A WHOLE WITHOUT THE WRITTEN PERMISSION OF FLEETWOOD WINDOWS & DOORS IS PROHIBITED.

Released 10/2/2024

SHEET 6 OF 8

ASSEMBLY / PARTS LIST (B.O.M.)



PROPRIETARY AND CONFIDENTIAL
THE INFORMATION CONTAINED IN THIS DRAWING IS THE SOLE PROPERTY OF FLEETWOOD WINDOWS & DOORS.
ANY REPRODUCTION IN PART OR AS A WHOLE WITHOUT THE WRITTEN PERMISSION OF FLEETWOOD WINDOWS & DOORS IS PROHIBITED.

Description Sliding Panel Assembly	
File Name Series 3070 OX with Screen Assembly	REV D
Released	10/2/2024
SHEET 7 OF 8	

ASSEMBLY / PARTS LIST (B.O.M.)

EXTRUSIONS

ITEM NO.	PART NUMBER	DESCRIPTION	QTY.
1	3004	Top Rail	1
2	3767	Archetype Lock Stile	1
3	3006	Interlocker	1
4	3709	Bottom Rail	1

HARDWARE

ITEM NO.	PART NUMBER	DESCRIPTION	QTY.
5	20355	#10 PHP - A, 2", SS, Clear	4
6	20635	Small Round Door Bumper	2
7	18620	Setting Block, .25 in.	2
8	18671	Back Up Plate # 10-32 x 0.075" Thk.	4
9	18630	Oval Plug- Short	2
10	20359	#1/4-20 PHP - B, 1", SS, Clear	4
11	20514	A2 Roller Assembly	2
12	20305	#1/4-20 FHP-B Screw, .75"	2
13	22909	1" Glazing Vinyl	1
14	-	Glass	1
15	24672	Screen Spline .230" x 6"	2
16	19117	Large Fin Seal Mohair	1
17	24070	Archetype OX Primary Latch	1
18	26373	Archetype Secondary Latch Linkage	1
19	24074	#4-40 FHP, UC, 1/8", SS, Clear	2
20	24072, 24094	#6-32, Hex Socket Head Cap, Self Locking, 1/2", SS (SS, BL)	1
21	24766, 24079	Archetype Actuator (SS, BL)	1
22	24765, 24080	Archetype Actuator Pocket, OX (SS, BL)	1
23	26685	Archetype Latch Faceplate	1

HARDWARE

ITEM NO.	PART NUMBER	DESCRIPTION	QTY.
24	24935	#8-32 Set Screw, 1"	1
25	24076	#8-32 FH Socket Cap Screw, 3/8", SS	5
26	25729	#10-32 FHP, 3", SS, Clear	4
27	24087, 24093	#10-32 FH Socket Screw, 0.375 in (SS, BL)	2
28	24089, 24091	Archetype Handle, Inside, w/Gasket (SS, BL)	1
29	24090, 24092	Archetype Handle, Outside, w/Gasket (SS, BL)	1
30	24128	Clevis Pin (Archetype Narrow Secondary Latch)	2
31	24129	E-Style Retaining Ring	2
32	25356, 24782, 24784, 24783	Archetype Keyed Cylinder [SS- (KA, KD), BL- (KA, KD)]	1
33	24780	Key Cylinder Cam	1
34	24781	Archetype Brass Bushing	1
35	24082	Archetype Secondary Latch	1
36	26686	Archetype Secondary Latch Faceplate	1

Description
Sliding Panel Assembly B.O.M.

File Name
Series 3070 OX with Screen
Assembly

REV
D

PROPRIETARY AND CONFIDENTIAL

THE INFORMATION CONTAINED IN THIS DRAWING IS THE SOLE PROPERTY OF FLEETWOOD WINDOWS & DOORS.
ANY REPRODUCTION IN PART OR AS A WHOLE WITHOUT THE WRITTEN PERMISSION OF FLEETWOOD WINDOWS & DOORS IS PROHIBITED.

Released 10/2/2024

SHEET 8 OF 8