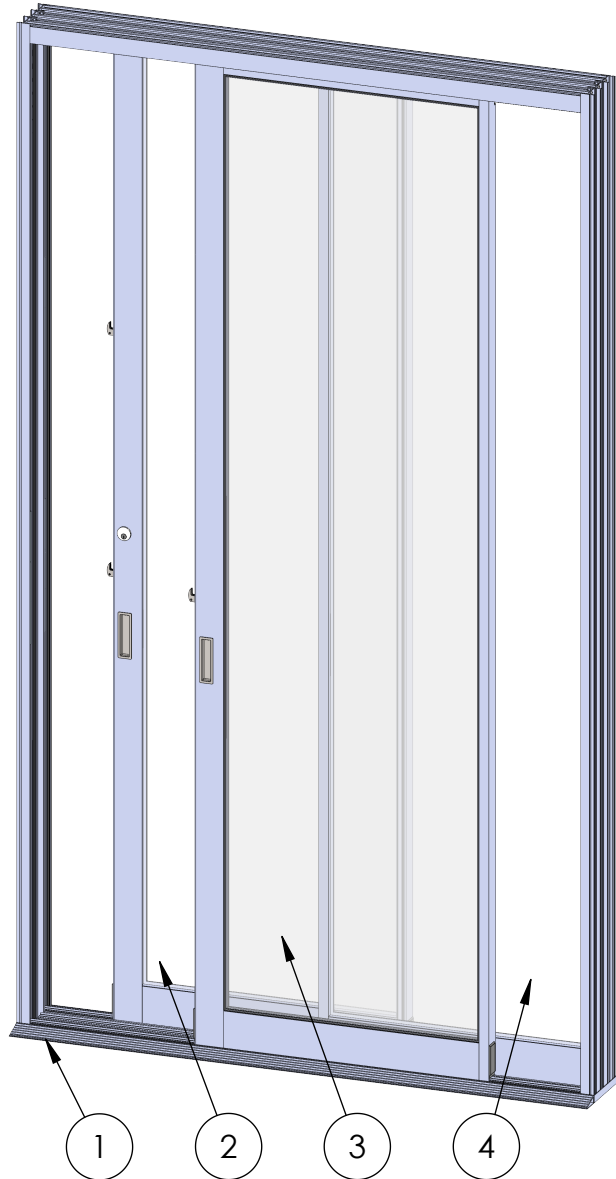


# ASSEMBLY / PARTS LIST (B.O.M.)

**Series: 3070**  
**Type: Narrow XO Configuration with Screen and A2 Roller Option**

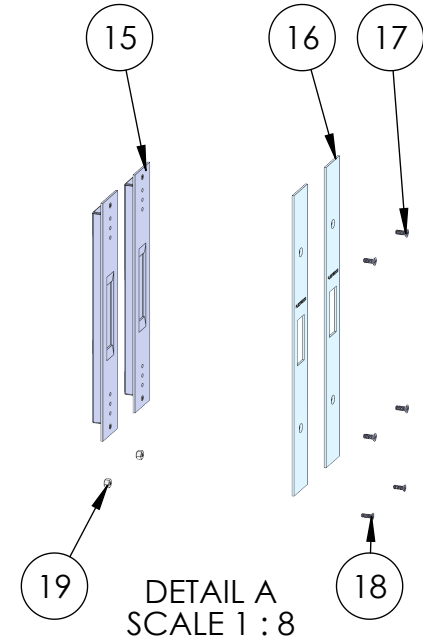
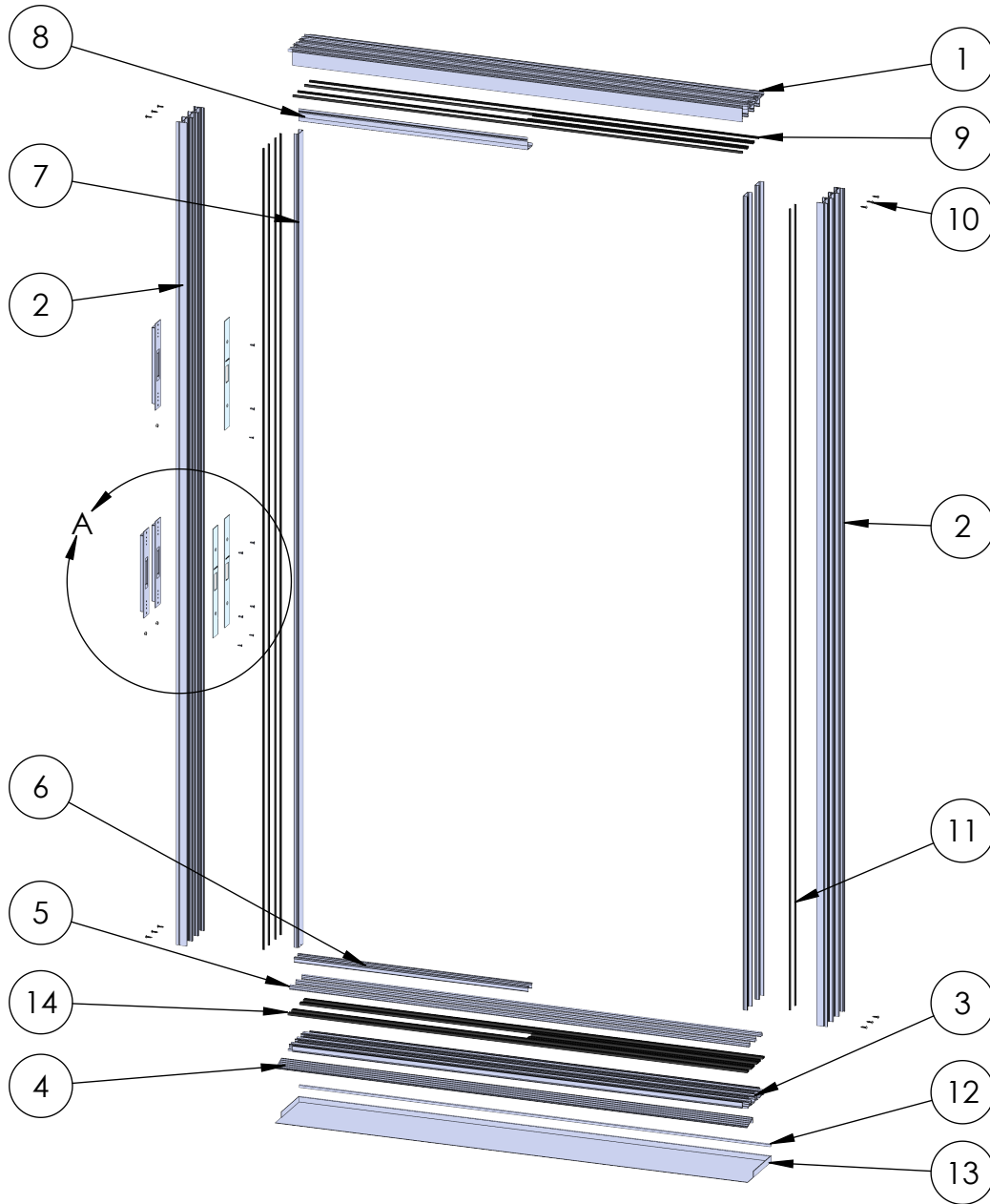


BOM Table		
ITEM NO.	DESCRIPTION	PAGE #
1	Frame Assembly	2-3
2	Sliding Panel Assembly	4-5
3	Screen Assembly	6-7
4	Fixed Panel Assembly	8

Description Table of Contents	
File Name Series 3070 Narrow XO with Screen Assembly	REV <b>E</b>
Released 1/12/2026	SHEET 1 OF 8

**PROPRIETARY AND CONFIDENTIAL**  
 THE INFORMATION CONTAINED IN THIS DRAWING IS THE SOLE PROPERTY OF FLEETWOOD WINDOWS & DOORS.  
 ANY REPRODUCTION IN PART OR AS A WHOLE WITHOUT THE WRITTEN PERMISSION OF FLEETWOOD WINDOWS & DOORS IS PROHIBITED.

# ASSEMBLY / PARTS LIST (B.O.M.)



**PROPRIETARY AND CONFIDENTIAL**  
 THE INFORMATION CONTAINED IN THIS DRAWING IS THE SOLE PROPERTY OF FLEETWOOD WINDOWS & DOORS.  
 ANY REPRODUCTION IN PART OR AS A WHOLE WITHOUT THE WRITTEN PERMISSION OF FLEETWOOD WINDOWS & DOORS IS PROHIBITED.

Description Frame Assembly	
File Name Series 3070 Narrow XO with Screen Assembly	REV E
Released 1/12/2026	SHEET 2 OF 8

# ASSEMBLY / PARTS LIST (B.O.M.)

## EXTRUSIONS

ITEM NO.	PART NUMBER	DESCRIPTION	QTY.
1	3703	Multi-Slide Head (3 Track)	1
2	3713	Jamb (3 Track)	2
3	3743	Multi-Slide Sill (3 Track)	1
4	3752	Sill Riser (optional)	1
5	FW1020	Stainless Steel Track	3
6	3747	Sill Filler	2
7	3710	Jamb Filler	3
8	3014	Head Filler	1

## HARDWARE

ITEM NO.	PART NUMBER	DESCRIPTION	QTY.
9	19118	Small Fin Seal Mohair	6
10	20347	#10 PHP Screw, .75", SS	12
11	25757	Q-Lon Foam Seal	6
12	23220	Sillpan Hem Cover	1
13	-	Sill Pan - 3-Track	1
14	27538	Mohair Fin Seal	12
15	24068	Backup Plate (With Dust Cover)	3
16	24067	Strike Plate	3
17	20278	#10-32 FHP-B-UC, 1/2", SS, Clear	6
18	25497	#8-32 FHP, UC, 1/2", SS	3
19	25498	#8-32 Locknut with Nylon-Insert	3

Description  
Frame Assembly B.O.M.

File Name  
Series 3070 Narrow XO  
with Screen Assembly

REV  
**E**

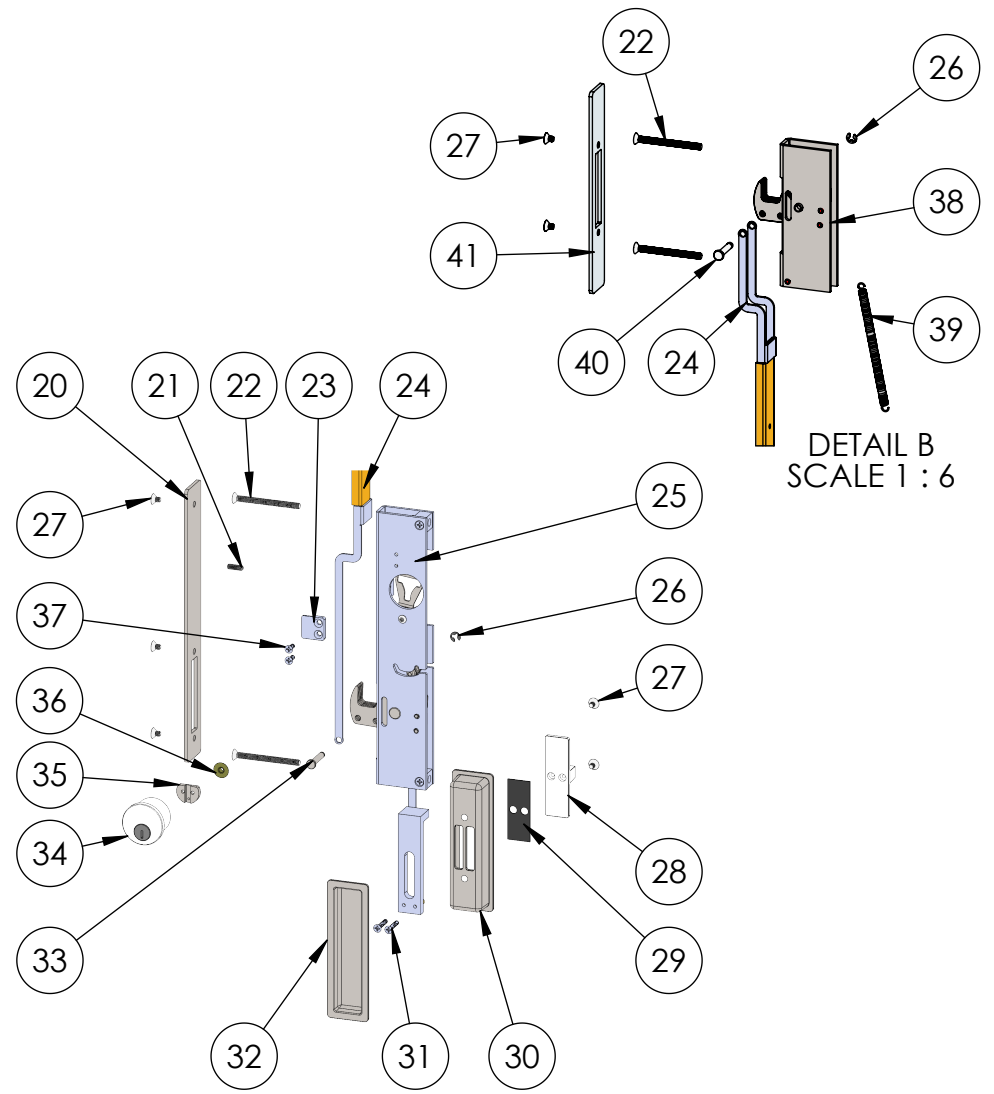
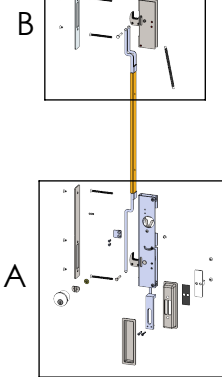
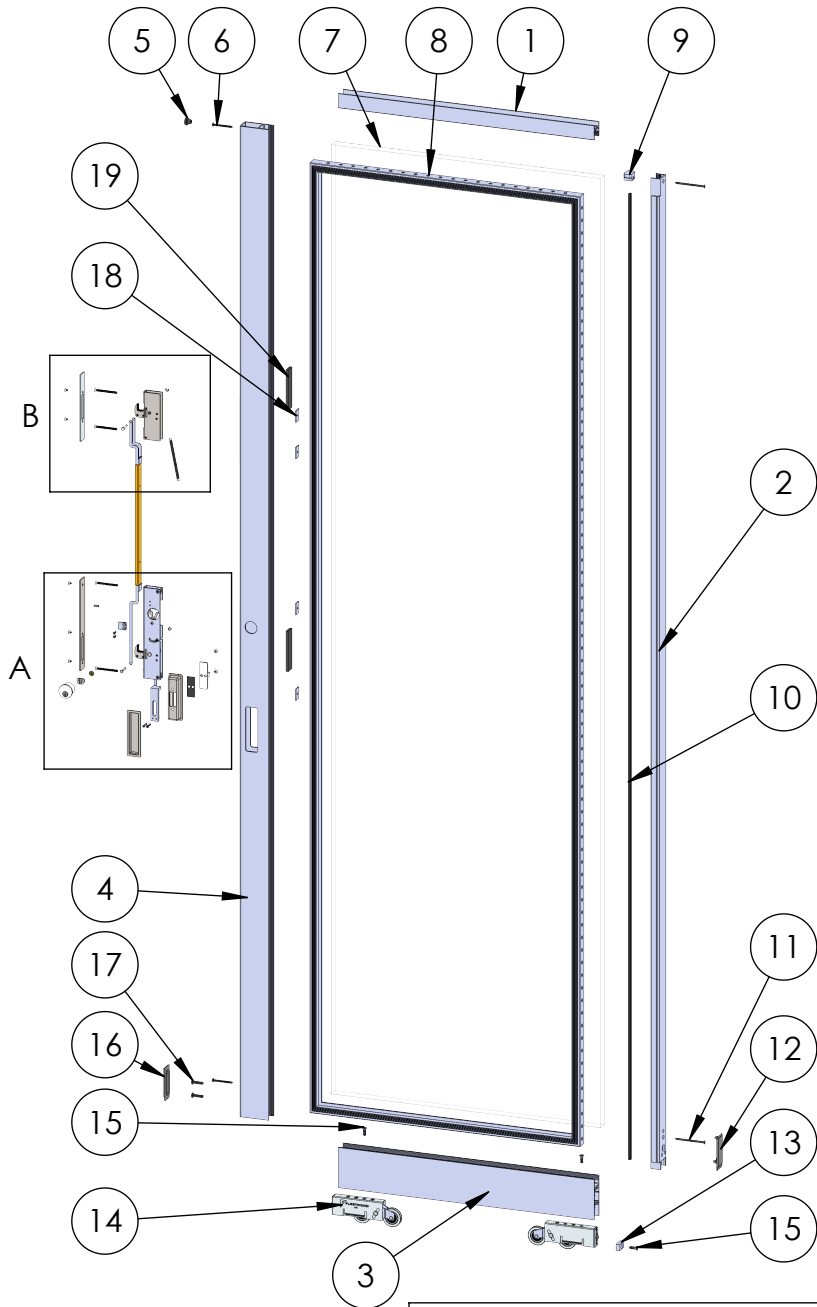
**PROPRIETARY AND CONFIDENTIAL**

THE INFORMATION CONTAINED IN THIS DRAWING IS THE SOLE PROPERTY OF FLEETWOOD WINDOWS & DOORS.  
ANY REPRODUCTION IN PART OR AS A WHOLE WITHOUT THE WRITTEN PERMISSION OF FLEETWOOD WINDOWS & DOORS IS PROHIBITED.

Released 1/12/2026

SHEET 3 OF 8

# ASSEMBLY / PARTS LIST (B.O.M.)



DETAIL B  
SCALE 1 : 6

DETAIL A  
SCALE 1 : 6

**PROPRIETARY AND CONFIDENTIAL**  
THE INFORMATION CONTAINED IN THIS DRAWING IS THE SOLE PROPERTY OF FLEETWOOD WINDOWS & DOORS.  
ANY REPRODUCTION IN PART OR AS A WHOLE WITHOUT THE WRITTEN PERMISSION OF FLEETWOOD WINDOWS & DOORS IS PROHIBITED.

Description Sliding Panel Assembly	
File Name Series 3070 Narrow XO with Screen Assembly	REV <b>E</b>
Released 1/12/2026	SHEET 4 OF 8

# ASSEMBLY / PARTS LIST (B.O.M.)

## EXTRUSIONS

ITEM NO.	PART NUMBER	DESCRIPTION	QTY.
1	3004	Top Rail	1
2	3737	Slim Interlocker (Non-Thermal)	1
3	3709	Bottom Rail	1
4	3005	Narrow Lock Stile	1

## HARDWARE

ITEM NO.	PART NUMBER	DESCRIPTION	QTY.
5	20635	Small Round Door Bumper	1
6	20355	#10 PHP - A, 2", SS, Clear	2
7	-	Glass	1
8	22909	1" Glazing Vinyl	1
9	27638	Narrow Interlocker Spacer	1
10	19122	Mohair (27018745BKWP)	1
11	26756, 27657	#10 FHP-A, 3", SS, (Clear, Black)	2
12	27448	Slim Interlocker Bumper	1
13	27594	Roller Interlocker Block	1
14	20514	A2 Roller Assembly	2
15	20305	#1/4-20 FHP-B Screw, .75"	3
16	27567	Narrow Leadstile Bumper, Non-Thermal	1
17	20359	#1/4-20 PHP - B, 1", SS, Clear	2
18	18671	Back Up Plate # 10-32 x 0.075" Thk.	4
19	18620	Setting Block 4" x 1/4"x1"	2

## HARDWARE

ITEM NO.	PART NUMBER	DESCRIPTION	QTY.
20	25210	Archetype Narrow Latch Face Plate	1
21	25330	#8-32 x 1/2" Set Screw Narrow Arch. Cyl.	1
22	25928	#10-32 FHP Screw, 2.188"	4
23	26170	Archetype Narrow Secondary Latch Linkage Guide	1
24	26169	Archetype Narrow Secondary Latch Linkage XO	1
25	25319	Archetype Narrow Latch XO	1
26	24129	E-Style Retaining Ring	2
27	24076, 25325	#8-32 FHS-B Screw, .25" (SS, BL)	7
28	25317, 25318	Archetype Narrow Flush Actuator (BL, SS)	1
29	26245	Slider Friction Pad	1
30	25314, 25315	Archetype Narrow Flush Int. Pocket (BL, SS)	1
31	25755	#6-32 FHP with Nylock, .75"	2
32	25311, 25312	Archetype Narrow Flush Ext. Pocket (BL, SS)	1
33	26172	Clevis Pin (Archetype Narrow Primary Latch)	1
34	25356, 24782	Archetype Keyed Cylinder (SS) (KA,KD) (with Cam/Bushing/Screw)	1
35	24780	Key Cylinder Cam	1
36	25681	Brass Bushing - Key Cylinder	1
37	25890	#6-32 FHP-B Screw, .375"	2
38	26166	Archetype Narrow Secondary Latch	1
39	26171	Spring Compensation	1
40	24128	Clevis Pin (Archetype Narrow Secondary Latch)	1
41	26225	Archetype Narrow Secondary Latch Faceplate	1

Description  
Sliding Panel Assembly B.O.M.

File Name  
Series 3070 Narrow XO  
with Screen Assembly

REV  
E

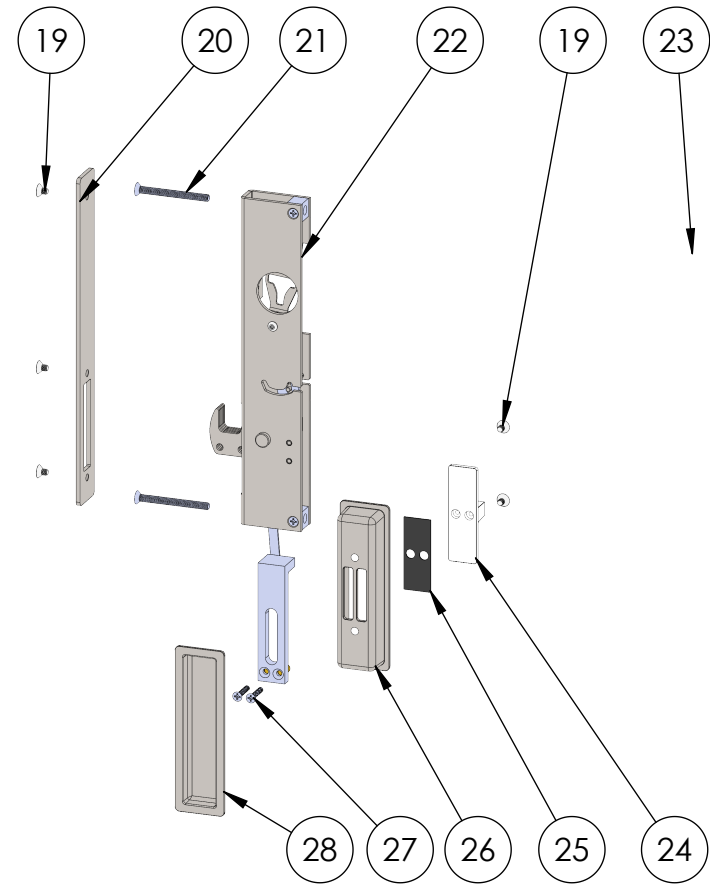
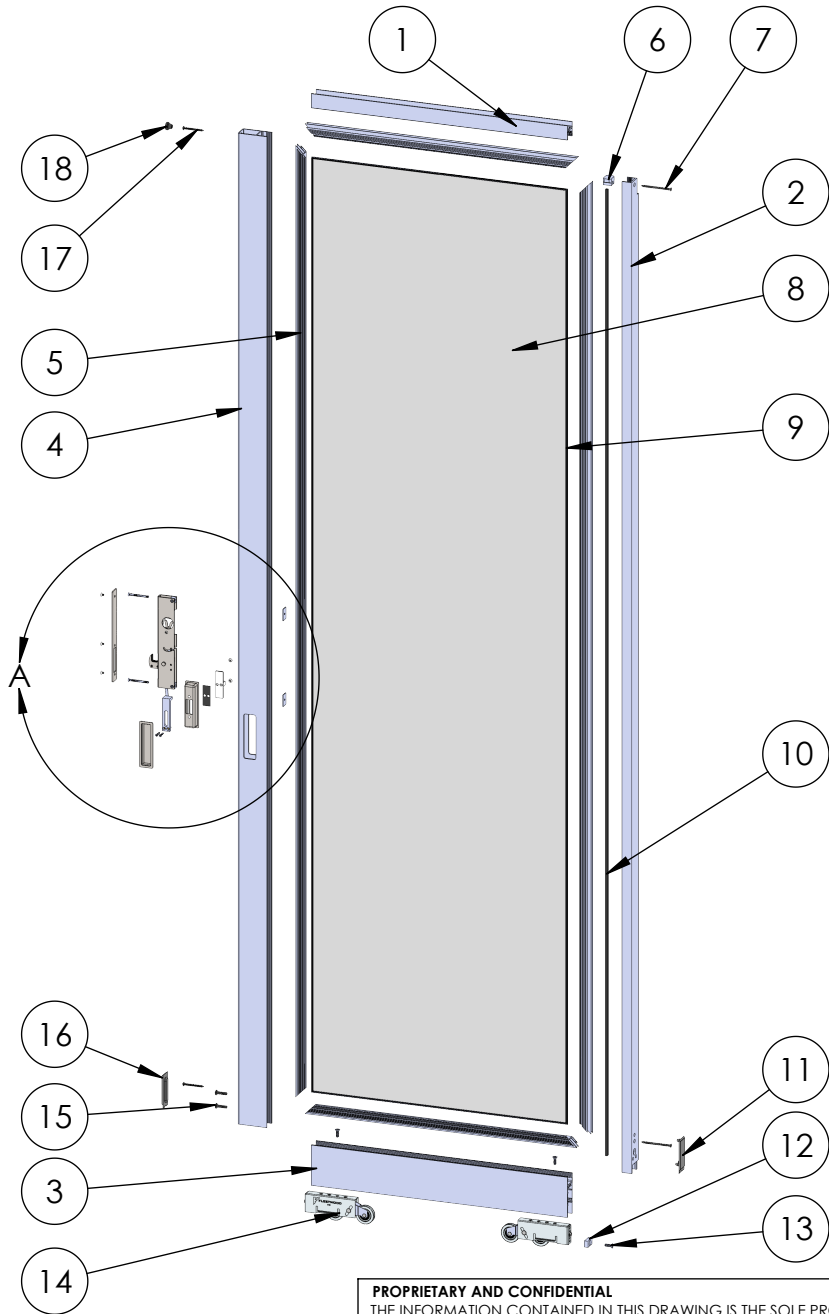
**PROPRIETARY AND CONFIDENTIAL**

THE INFORMATION CONTAINED IN THIS DRAWING IS THE SOLE PROPERTY OF FLEETWOOD WINDOWS & DOORS.  
ANY REPRODUCTION IN PART OR AS A WHOLE WITHOUT THE WRITTEN PERMISSION OF FLEETWOOD WINDOWS & DOORS IS PROHIBITED.

Released 1/12/2026

SHEET 5 OF 8

# ASSEMBLY / PARTS LIST (B.O.M.)



DETAIL A  
 SCALE 1 : 5

**PROPRIETARY AND CONFIDENTIAL**  
 THE INFORMATION CONTAINED IN THIS DRAWING IS THE SOLE PROPERTY OF FLEETWOOD WINDOWS & DOORS.  
 ANY REPRODUCTION IN PART OR AS A WHOLE WITHOUT THE WRITTEN PERMISSION OF FLEETWOOD WINDOWS & DOORS IS PROHIBITED.

Description Screen Panel Assembly	
File Name Series 3070 Narrow XO with Screen Assembly	REV E
Released 1/12/2026	SHEET 6 OF 8

# ASSEMBLY / PARTS LIST (B.O.M.)

EXTRUSIONS				HARDWARE			
ITEM NO.	PART NUMBER	DESCRIPTION	QTY.	ITEM NO.	PART NUMBER	DESCRIPTION	QTY.
1	3004	Top Rail	1	19	24076, 25325	#8-32 FHS-B Screw, .25" (SS, BL)	5
2	3737	Slim Interlocker (Non-Thermal)	1	20	25309	Archetype Narrow Latch Face Plate	1
3	3709	Bottom Rail	1	21	25349	#10-32 FHP - B, 2.0", SS, Clear	2
4	3005	Narrow Lock Stile	1	22	25319	Archetype Narrow Latch XO	1
5	3739	Narrow Multi-Slide Screen Adapter	4	23	18671	Back Up Plate # 10-32 x 0.075" Thk.	2
HARDWARE				24	25317, 25318	Archetype Narrow Flush Actuator (BL, SS)	1
ITEM NO.	PART NUMBER	DESCRIPTION	QTY.	25	26245	Slider Friction Pad	1
6	27638	Narrow Interlocker Spacer	1	26	25314, 25315	Archetype Narrow Flush Int. Pocket (BL, SS)	1
7	26756, 27657	#10 FHP-A, 3", SS, (Clear, Black)	2	27	25755	#6-32 FHP with Nylock, .75"	2
8	-	Screen Mesh	1	28	25311, 25312	Archetype Narrow Flush Ext. Pocket (BL, SS)	1
9	24719	Screen Rubber Spline .170	1				
10	19122	Mohair (27018745BKWP)	1				
11	27448	Slim Interlocker Bumper	1				
12	27594	Roller Interlocker Block	1				
13	20305	#1/4-20 FHP-B Screw, .75"	3				
14	20514	A2 Roller Assembly	2				
15	20359	#1/4-20 PHP - B, 1", SS, Clear	2				
16	27567	Narrow Leadstile Bumper, Non-Thermal	1				
17	20355	#10 PHP - A, 2", SS, Clear	2				
18	20635	Small Round Door Bumper	1				

Description  
Screen Assembly B.O.M.

File Name  
Series 3070 Narrow XO  
with Screen Assembly

REV  
E

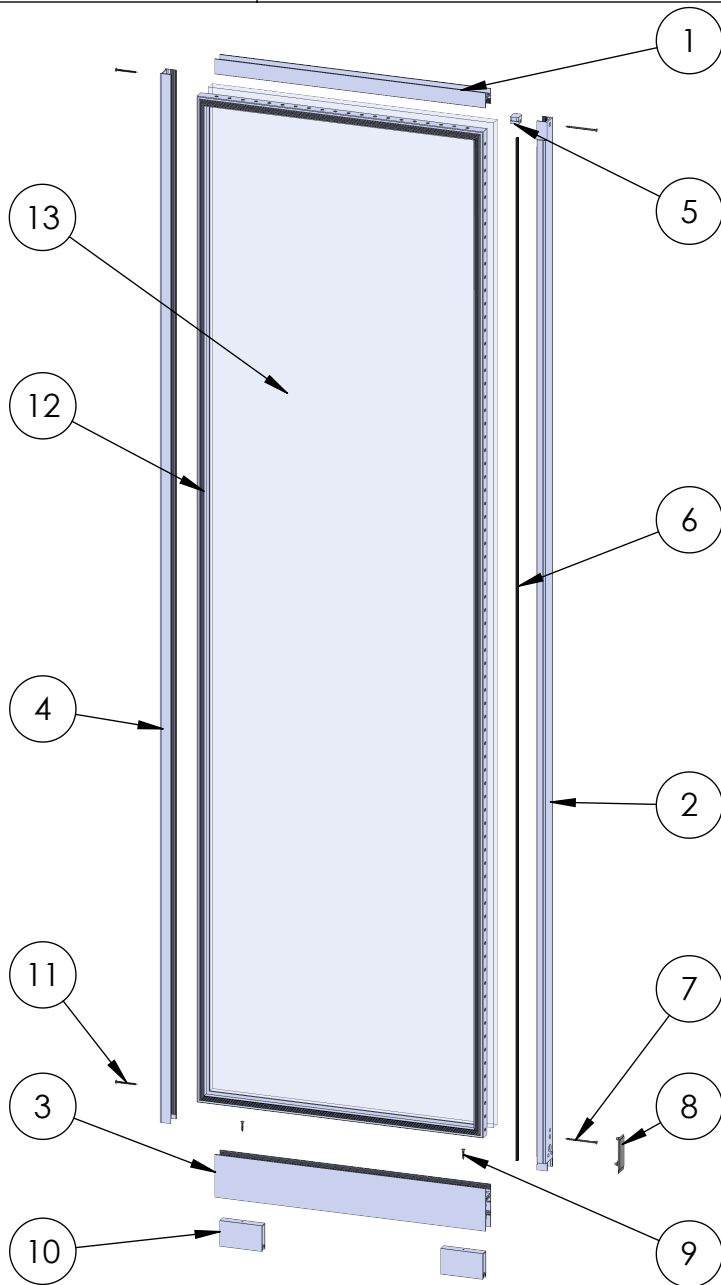
**PROPRIETARY AND CONFIDENTIAL**

THE INFORMATION CONTAINED IN THIS DRAWING IS THE SOLE PROPERTY OF FLEETWOOD WINDOWS & DOORS.  
ANY REPRODUCTION IN PART OR AS A WHOLE WITHOUT THE WRITTEN PERMISSION OF FLEETWOOD WINDOWS & DOORS IS PROHIBITED.

Released 1/12/2026

SHEET 7 OF 8

# ASSEMBLY / PARTS LIST (B.O.M.)



EXTRUSIONS			
ITEM NO.	PART NUMBER	DESCRIPTION	QTY.
1	3004	Top Rail	1
2	3737	Slim Interlocker (Non-Thermal)	1
3	3709	Bottom Rail	1
4	3008	Fixed Stile	1
HARDWARE			
ITEM NO.	PART NUMBER	DESCRIPTION	QTY.
5	27638	Narrow Interlocker Spacer	1
6	19122	Mohair (27018745BKWP)	1
7	26756, 27657	#10 FHP-A, 3", SS, (Clear, Black)	2
8	27448	Slim Interlocker Bumper	1
9	20293	#10 FHP - A, 1", SS, Clear	2
10	25613	Fixed Panel Block	2
11	20355	#10 PHP - A, 2", SS, Clear	2
12	22909	1" Glazing Vinyl	1
13	-	Glass	1

**PROPRIETARY AND CONFIDENTIAL**  
THE INFORMATION CONTAINED IN THIS DRAWING IS THE SOLE PROPERTY OF FLEETWOOD WINDOWS & DOORS.  
ANY REPRODUCTION IN PART OR AS A WHOLE WITHOUT THE WRITTEN PERMISSION OF FLEETWOOD WINDOWS & DOORS IS PROHIBITED.

Description Fixed Panel Assembly	
File Name Series 3070 Narrow XO with Screen Assembly	REV <b>E</b>
Released 1/12/2026	SHEET 8 OF 8