

ASSEMBLY / PARTS LIST (B.O.M.)

SERIES: 3050
Type: XXIXX Configuration

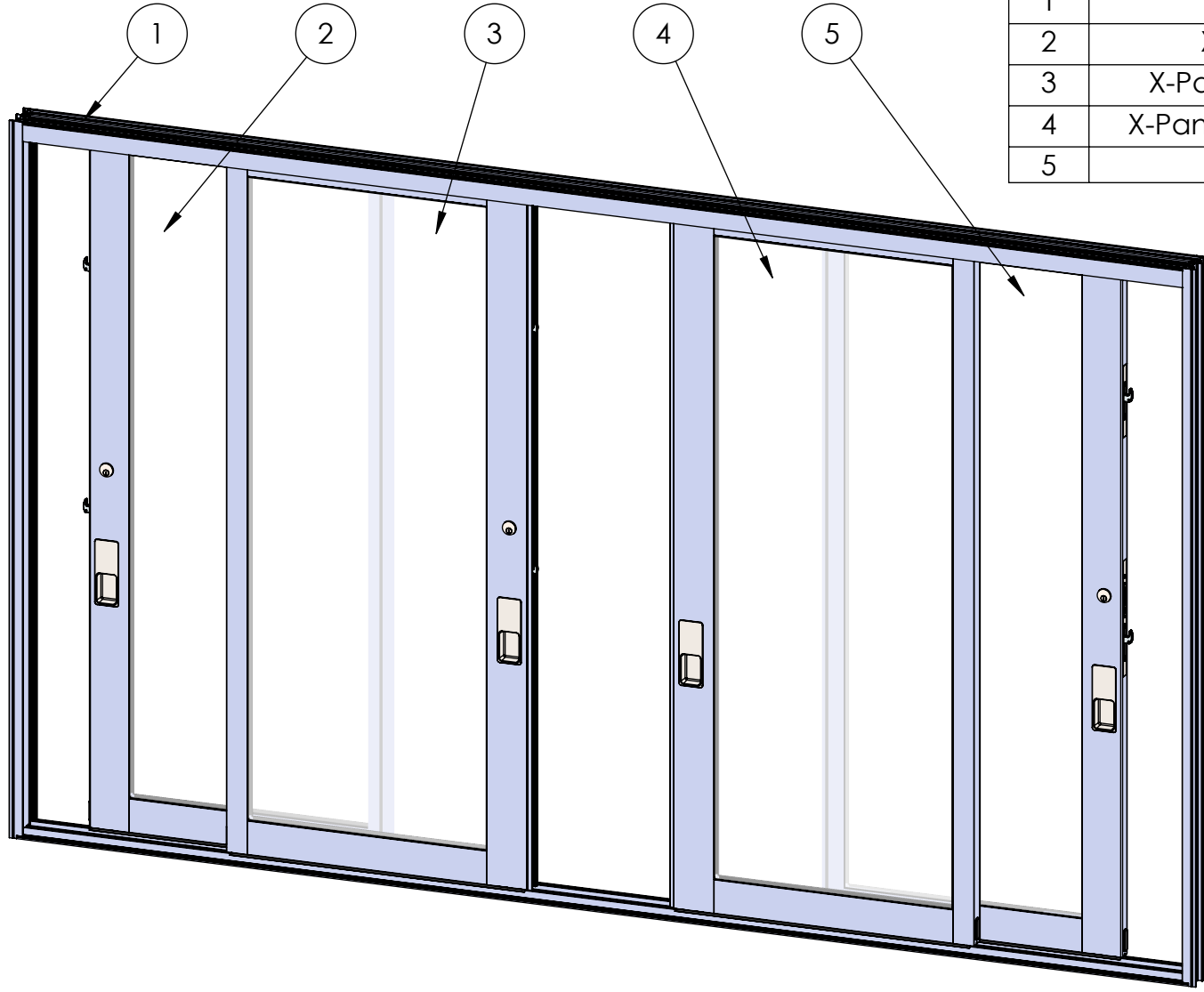
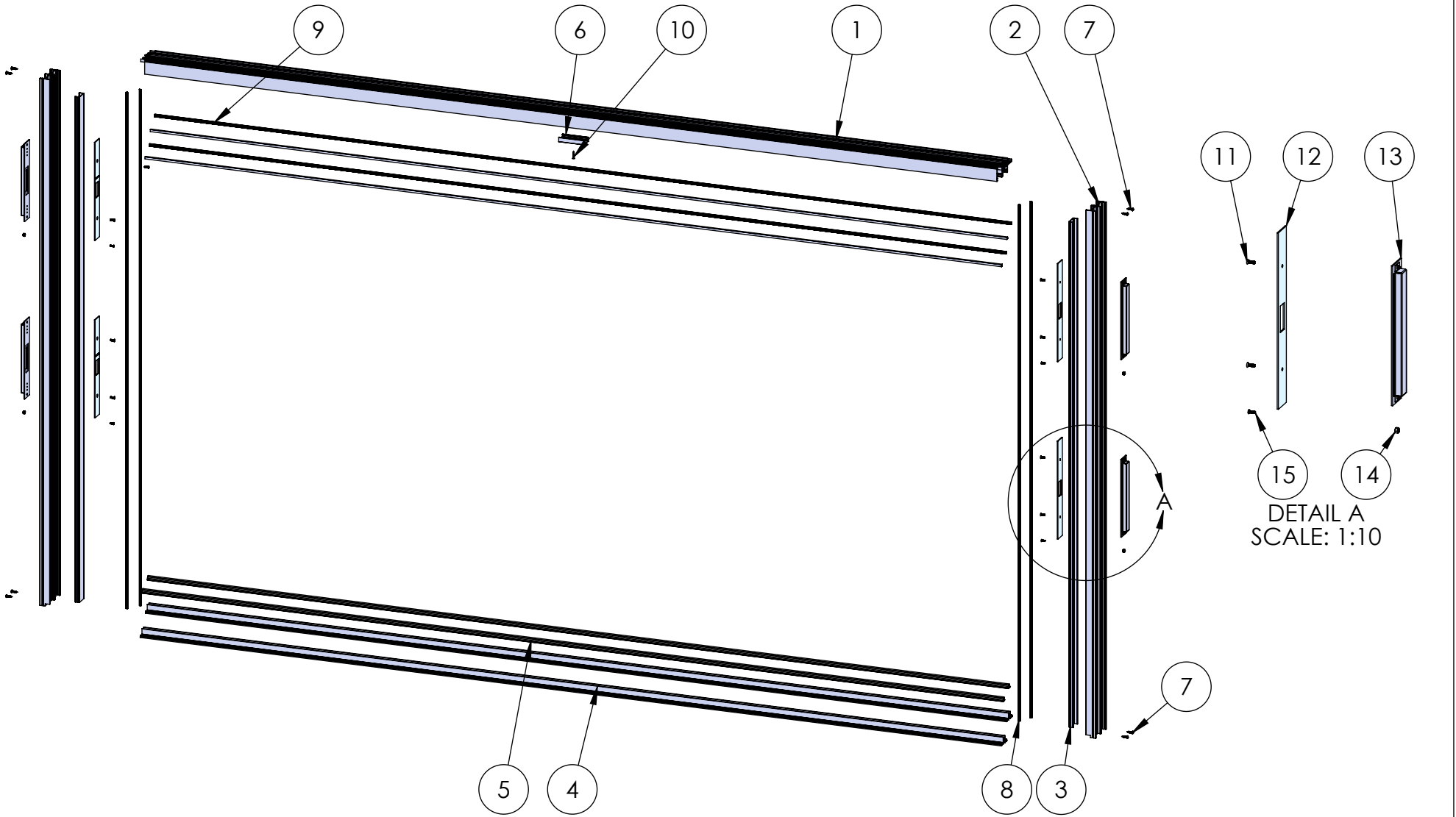


TABLE OF CONTENTS		
ITEM NO.	DESCRIPTION	PAGE #
1	Frame Assembly	2-3
2	X-Panel Active Right	10-11
3	X-Panel Meeting Active Left	6-7
4	X-Panel Meeting Inactive Right	4-5
5	X-Panel Active Left	8-9

Description Table of Contents	
File Name Series 3050 XXIXX Assembly	REV E
Released 9/24/2024	SHEET 1 OF 11

PROPRIETARY AND CONFIDENTIAL
THE INFORMATION CONTAINED IN THIS DRAWING IS THE SOLE PROPERTY OF FLEETWOOD WINDOWS & DOORS.
ANY REPRODUCTION IN PART OR AS A WHOLE WITHOUT THE WRITTEN PERMISSION OF FLEETWOOD WINDOWS & DOORS IS PROHIBITED.

ASSEMBLY / PARTS LIST (B.O.M.)



Description		Frame Assembly	
File Name		Series 3050 XXIXX	REV
		Assembly	E
Released	9/24/2024	SHEET 2 OF 11	

PROPRIETARY AND CONFIDENTIAL
 THE INFORMATION CONTAINED IN THIS DRAWING IS THE SOLE PROPERTY OF FLEETWOOD WINDOWS & DOORS.
 ANY REPRODUCTION IN PART OR AS A WHOLE WITHOUT THE WRITTEN PERMISSION OF FLEETWOOD WINDOWS & DOORS IS PROHIBITED.

ASSEMBLY / PARTS LIST (B.O.M.)

EXTRUSIONS

ITEM NO.	PART NUMBER	DESCRIPTION	QTY.
1	3702	Multi-Slide Head (2 Track)	1
2	3712	Multi-Slide Jamb (2 track)	2
3	3710	Jamb Filler	2
4	1092	1" Hidden Track	2
5	FW1020	Standard Stainless Steel Track Insert	2

HARDWARE

ITEM NO.	PART NUMBER	DESCRIPTION	QTY.
6	26891, 24098	Head Antilift (SS, BL)	1
7	20347	#10 PHP Screw, 3/4", SS	8
8	25757	Q-Lon Foam Seal	4
9	19118	Small Fin Seal Mohair	4
10	20247	#8, FHP - A Screw, 1", SS	1
11	20278	#10-32 FHP-B-UC Screw, 1/2", SS	8
12	24067	Strike Plate	4
13	24068	Backup Plate (With Dust Cover)	4
14	25498	#8-32 Nut With Nylon-Insert Hex Locknut, SS	4
15	25497	#8-32 FHC-UC Screw, 1/2", SS	4

Description
Frame Assembly B.O.M.

File Name
Series 3050 XXIXX
Assembly

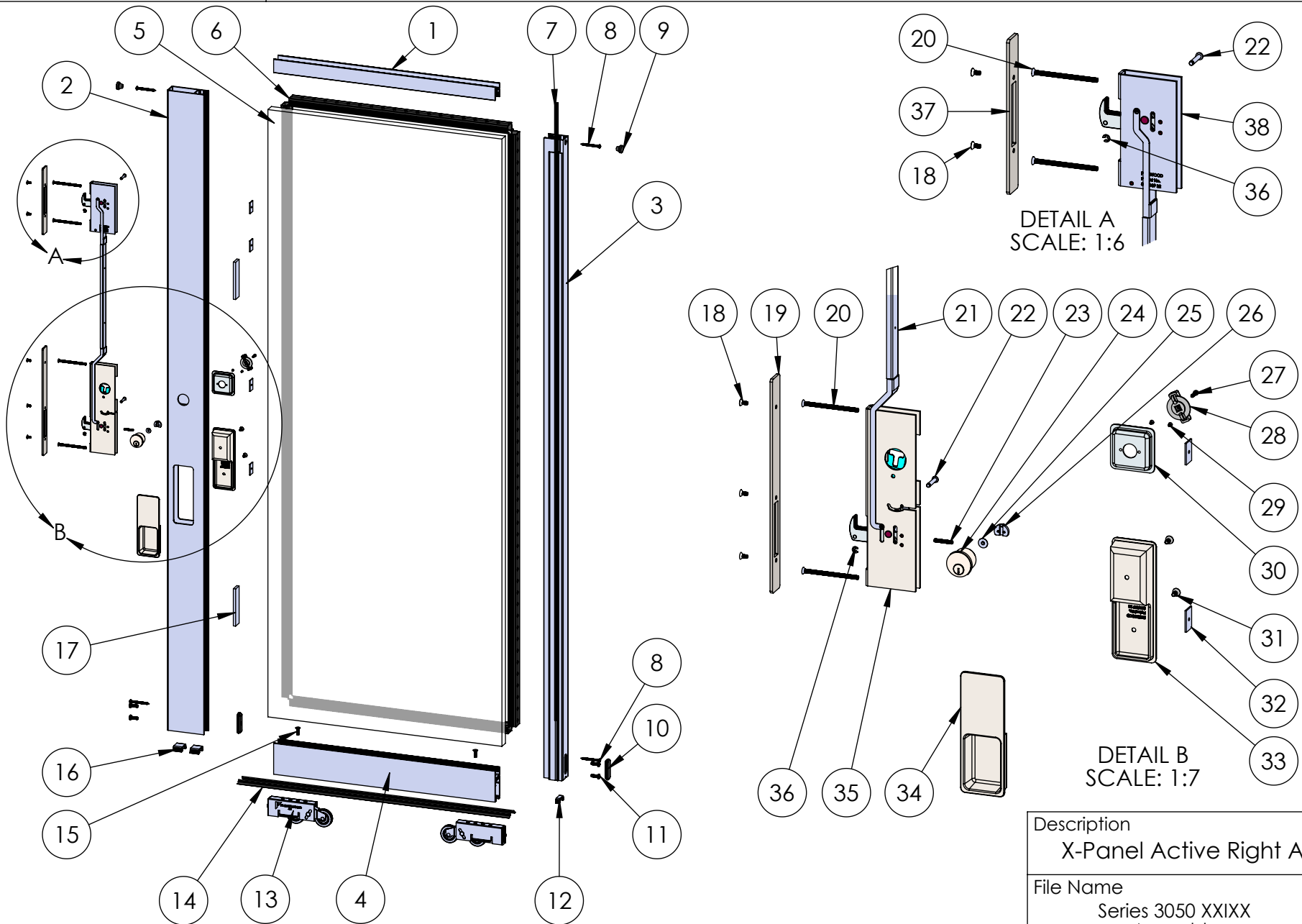
REV
E

PROPRIETARY AND CONFIDENTIAL
THE INFORMATION CONTAINED IN THIS DRAWING IS THE SOLE PROPERTY OF FLEETWOOD WINDOWS & DOORS.
ANY REPRODUCTION IN PART OR AS A WHOLE WITHOUT THE WRITTEN PERMISSION OF FLEETWOOD WINDOWS & DOORS IS PROHIBITED.

Released 9/24/2024

SHEET 3 OF 11

ASSEMBLY / PARTS LIST (B.O.M.)



PROPRIETARY AND CONFIDENTIAL
THE INFORMATION CONTAINED IN THIS DRAWING IS THE SOLE PROPERTY OF FLEETWOOD WINDOWS & DOORS.
ANY REPRODUCTION IN PART OR AS A WHOLE WITHOUT THE WRITTEN PERMISSION OF FLEETWOOD WINDOWS & DOORS IS PROHIBITED.

Description X-Panel Active Right Assembly	
File Name Series 3050 XXIXX Assembly	REV E
Released 9/24/2024	SHEET 4 OF 11

ASSEMBLY / PARTS LIST (B.O.M.)

EXTRUSIONS

ITEM NO.	PART NUMBER	DESCRIPTION	QTY.
1	3004	Top Rail	1
2	3767	Lock Stile (Archetype)	1
3	3006	Interlocker	1
4	3009	Bottom Rail	1

HARDWARE

ITEM NO.	PART NUMBER	DESCRIPTION	QTY.
5	-	Glass	1
6	22909	Glazing Vinyl (1", 15/16", 1 1/16")	1
7	19117	Large Fin Seal Mohair	1
8	20355	#10 PHP -A, 2", SS	4
9	20635	Small Round Panel Plug	2
10	18630	Oval Plug- Short	2
11	20358	#1/4-20 PHP-B, 3/4", SS, Clear	4
12	19142	Bottom Vent Clip (Small)	1
13	20514	A2 Roller Assembly	2
14	19064	Sill Wipe, Bottom Vinyl, BL-122	2
15	20305	#1/4-20 FHP - B, 3/4", SS	2
16	19141	Bottom Vent Clip (Large)	2
17	18620	Setting Block 4" x 1/4"x1"	2
18	24076	#8-32 FH Socket Cap Screw, 3/8",SS	5
19	26685	Archetype Latch Faceplate	1
20	25729	#10-32 FHP, 3", SS, Clear	4
21	26373	Archetype Secondary Latch Linkage	1
22	24128	Archetype, Grooved Clevis Pin	2
23	24935	#8-32 Set Screw, 1"	1
24	25356, 24782, 24784, 24783	Archetype Keyed Cylinder [SS- (KA, KD), BL- (KA, KD)]	1

HARDWARE

ITEM NO.	PART NUMBER	DESCRIPTION	QTY.
25	25681	Bushing-Key Cylinder	1
26	24780	Cam	1
27	24072, 24094	#6-32, Hex Socket Head Cap, Self Locking, 1/2", SS (SS, BL)	1
28	24766, 24079	Archetype Actuator (SS, BL)	1
29	24074	#4-40 FHP-UC, .188", SS	2
30	24767, 24081	Archetype Actuator Pocket, XO, (SS, BL)	1
31	24087, 24093	#10-32 FHS Screw, 0.4375" (SS, BL)	2
32	18671	Back Up Plate # 10-32 x 0.075" Thk.	4
33	24089, 24091	Archetype Handle, Inside, with Gasket (SS, BL)	1
34	24090, 24092	Archetype Handle, Outside, with Gasket (SS, BL)	1
35	24077	Archetype XO Primary Latch	1
36	24129	E-Style Retaining Ring	2
37	26686	Archetype Secondary Latch Faceplate	1
38	24082	Archetype Secondary Latch	1

Description
X-Panel Active Right B.O.M.

File Name
Series 3050 XXIXX
Assembly

REV
E

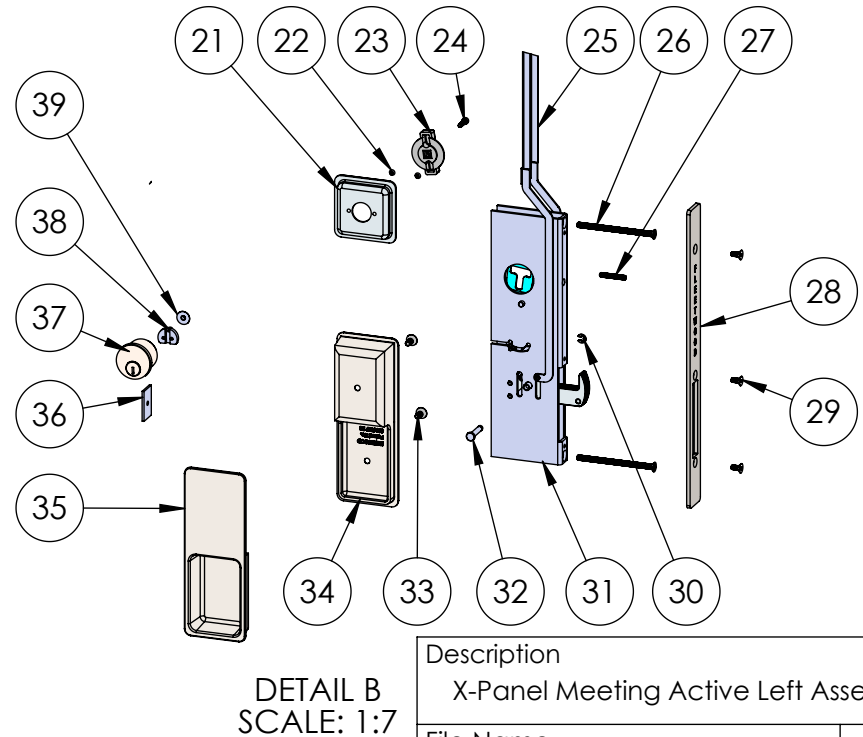
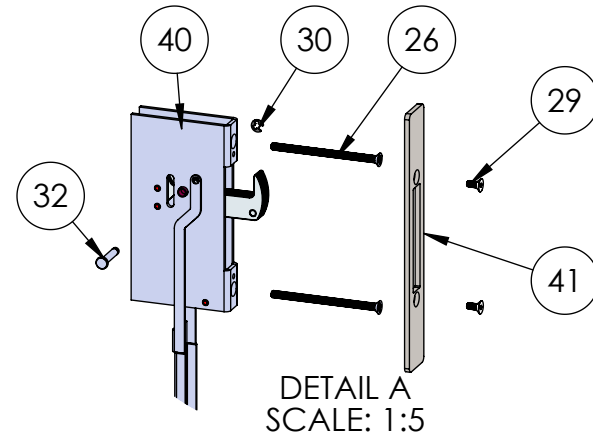
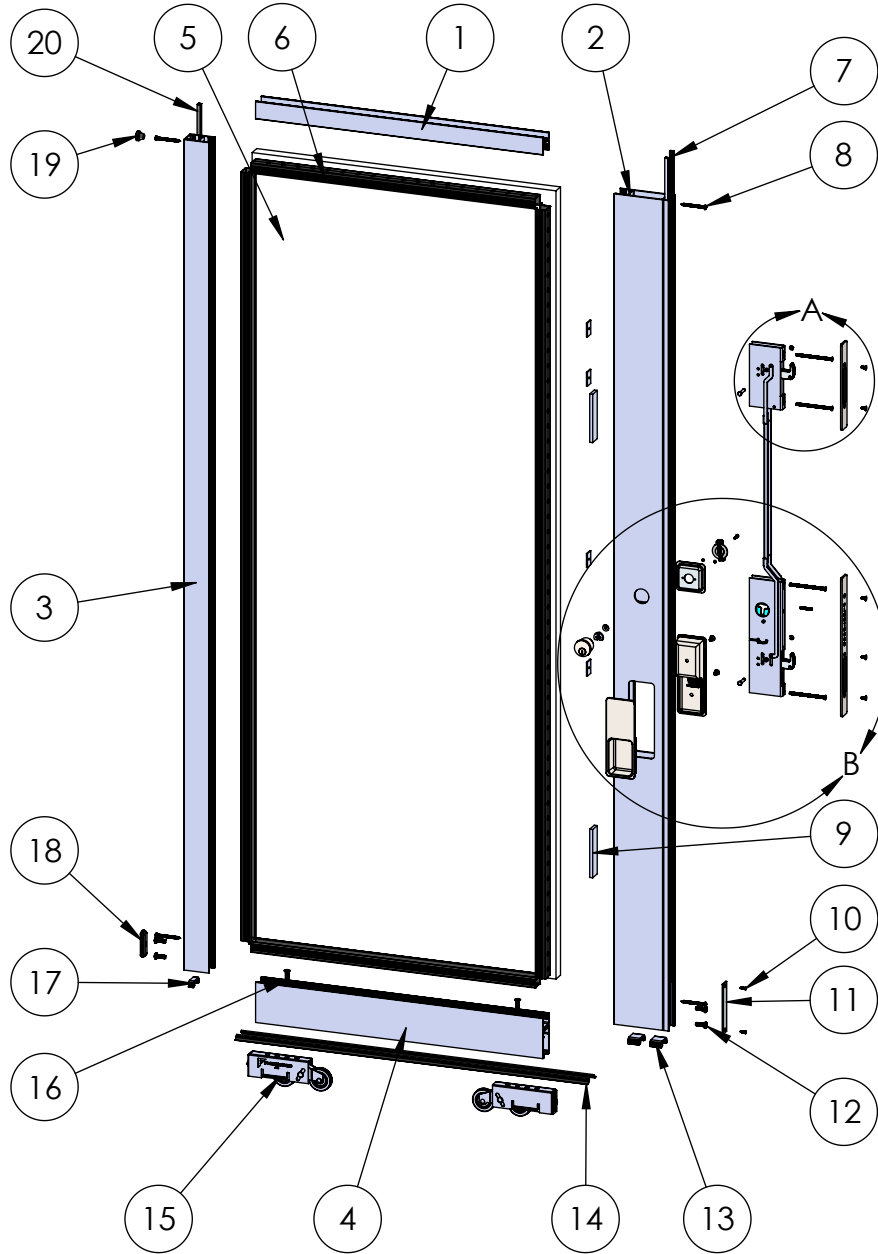
PROPRIETARY AND CONFIDENTIAL

THE INFORMATION CONTAINED IN THIS DRAWING IS THE SOLE PROPERTY OF FLEETWOOD WINDOWS & DOORS.
ANY REPRODUCTION IN PART OR AS A WHOLE WITHOUT THE WRITTEN PERMISSION OF FLEETWOOD WINDOWS & DOORS IS PROHIBITED.

Released 9/24/2024

SHEET 5 OF 11

ASSEMBLY / PARTS LIST (B.O.M.)



PROPRIETARY AND CONFIDENTIAL
THE INFORMATION CONTAINED IN THIS DRAWING IS THE SOLE PROPERTY OF FLEETWOOD WINDOWS & DOORS.
ANY REPRODUCTION IN PART OR AS A WHOLE WITHOUT THE WRITTEN PERMISSION OF FLEETWOOD WINDOWS & DOORS IS PROHIBITED.

Description X-Panel Meeting Active Left Assembly	
File Name Series 3050 XXIXX Assembly	REV E
Released	9/24/2024
SHEET 6 OF 11	

ASSEMBLY / PARTS LIST (B.O.M.)

EXTRUSIONS

ITEM NO.	PART NUMBER	DESCRIPTION	QTY.
1	3004	Top Rail	1
2	3707	Female Lock Stile	1
3	3006	Interlocker	1
4	3009	Bottom Rail	1

HARDWARE

ITEM NO.	PART NUMBER	DESCRIPTION	QTY.
5	-	Glass	1
6	22909	Glazing Vinyl (1", 15/16", 1 1/16")	1
7	19118	Small Fin Seal Mohair	2
8	20355	#10 PHP -A, 2", SS	4
9	18620	Setting Block 4" x 1/4"x1"	2
10	20887	#6 FHP-A-UC Screw, 0.5" (SS)	2
11	25035	Meeting Stile Bumper Cover Plate	1
12	20358	#1/4-20 PHP-B, 3/4", SS, Clear	4
13	19141	Bottom Vent Clip (Large)	2
14	19064	Sill Wipe, Bottom Vinyl, BL-122	2
15	20514	A2 Roller Assembly	2
16	20305	#1/4-20 FHP - B, 3/4", SS	2
17	19142	Bottom Vent Clip (Small)	1
18	18630	Oval Plug- Short	1
19	20635	Small Round Panel Plug	1
20	19117	Large Fin Seal Mohair	1
21	24765, 24080	Archetype Actuator Pocket, OX, (SS, BL)	1
22	24074	24074, #4-40 FHP, .125, SS	2
23	24766, 24079	Archetype Actuator (SS, BL)	1
24	24072, 24094	#6-32, Hex Socket Head Cap, Self Locking, 1/2", SS (SS, BL)	1

HARDWARE

ITEM NO.	PART NUMBER	DESCRIPTION	QTY.
25	26373	Archetype Secondary Latch Linkage	1
26	25729	#10-32 FHP, 3", SS, Clear	4
27	24935	#8-32 Set Screw, 1"	1
28	26685	Archetype Latch Faceplate	1
29	24076	#8-32 FH Socket Cap Screw, 3/8",SS	5
30	24129	E-Style Retaining Ring	2
31	24070	Archetype OX Primary Latch	1
32	24128	Archetype, Grooved Clevis Pin	2
33	24087, 24093	#10-32 FHS Screw, 0.4375" (SS, BL)	2
34	24089, 24091	Archetype Handle, Inside, with Gasket (SS, BL)	1
35	24090, 24092	Archetype Handle, Outside, with Gasket (SS, BL)	1
36	18671	Back Up Plate # 10-32 x 0.075" Thk.	4
37	25356, 24782, 24784, 24783	Archetype Keyed Cylinder [SS- (KA, KD), BL- (KA, KD)]	1
38	24780	Cam	1
39	25681	Bushing-Key Cylinder	1
40	24082	Archetype Secondary Latch	1
41	26686	Archetype Secondary Latch Faceplate	1

Description
X-Panel Meeting Active Left B.O.M.

File Name
Series 3050 XXIXX
Assembly

REV
E

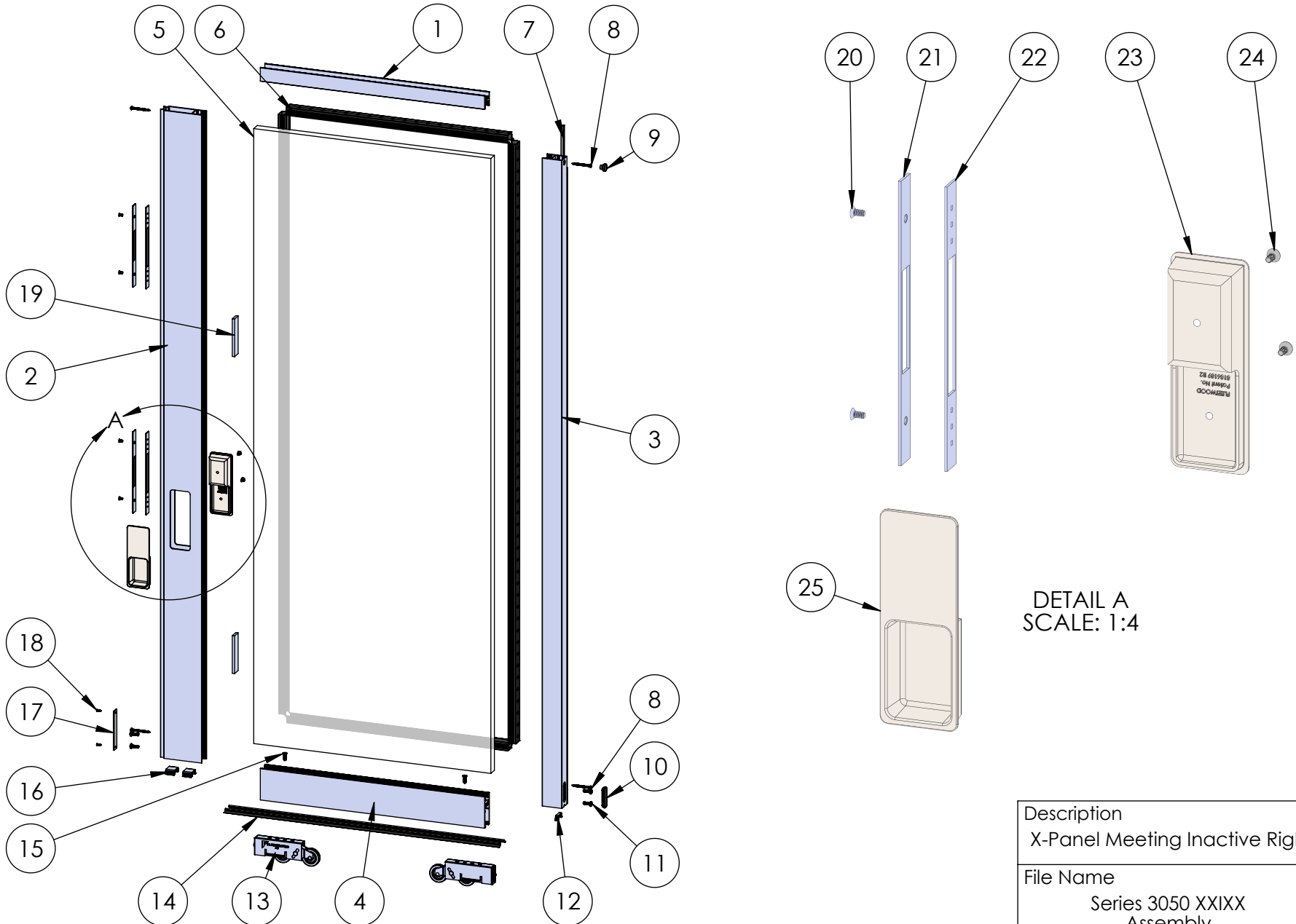
PROPRIETARY AND CONFIDENTIAL

THE INFORMATION CONTAINED IN THIS DRAWING IS THE SOLE PROPERTY OF FLEETWOOD WINDOWS & DOORS.
ANY REPRODUCTION IN PART OR AS A WHOLE WITHOUT THE WRITTEN PERMISSION OF FLEETWOOD WINDOWS & DOORS IS PROHIBITED.

Released 9/24/2024

SHEET 7 OF 11

ASSEMBLY / PARTS LIST (B.O.M.)



DETAIL A
SCALE: 1:4

PROPRIETARY AND CONFIDENTIAL
THE INFORMATION CONTAINED IN THIS DRAWING IS THE SOLE PROPERTY OF FLEETWOOD WINDOWS & DOORS.
ANY REPRODUCTION IN PART OR AS A WHOLE WITHOUT THE WRITTEN PERMISSION OF FLEETWOOD WINDOWS & DOORS IS PROHIBITED.

Description X-Panel Meeting Inactive Right Assembly	
File Name Series 3050 XXIXX Assembly	REV E
Released 9/24/2024	SHEET 8 OF 11

ASSEMBLY / PARTS LIST (B.O.M.)

EXTRUSIONS

ITEM NO.	PART NUMBER	DESCRIPTION	QTY.
1	3004	Top Rail	1
2	3706	Male Lock Stile	1
3	3006	Interlocker	1
4	3009	Bottom Rail	1

HARDWARE

ITEM NO.	PART NUMBER	DESCRIPTION	QTY.
5	-	Glass	1
6	22909	Glazing Vinyl (1", 15/16", 1 1/16")	1
7	19117	Large Fin Seal Mohair	1
8	20355	#10 PHP -A, 2", SS	4
9	20635	Small Round Panel Plug	1
10	18630	Oval Plug- Short	1
11	20358	#1/4-20 PHP-B, 3/4", SS, Clear	4
12	19142	Bottom Vent Clip (Small)	1
13	20514	A2 Roller Assembly	2
14	19064	Sill Wipe, Bottom Vinyl, BL-122	2
15	20305	#1/4-20 FHP - B, 3/4", SS	2
16	19141	Bottom Vent Clip (Large)	2
17	25035	Meeting Stile Bumper Cover Plate	1
18	20887	#6 FHP-A-UC Screw, 0.5" (SS)	2
19	18620	Setting Block 4" x 1/4"x1"	2
20	20266	#10-32, FHP-B-UC Screw, 3/8"	4
21	24980	Strike Plate, Meeting Stile	2
22	24981	Strike Backup Plate, Meeting Stile	2
23	24089, 24091	Archetype Handle, Inside, with Gasket (SS, BL)	1
24	24087, 24093	#10-32 FHS Screw, 0.4375" (SS, BL)	2
25	24090, 24092	Archetype Handle, Outside, with Gasket (SS, BL)	1

Description
X-Panel Meeting Inactive Right B.O.M

File Name
Series 3050 XXIXX
Assembly

REV
E

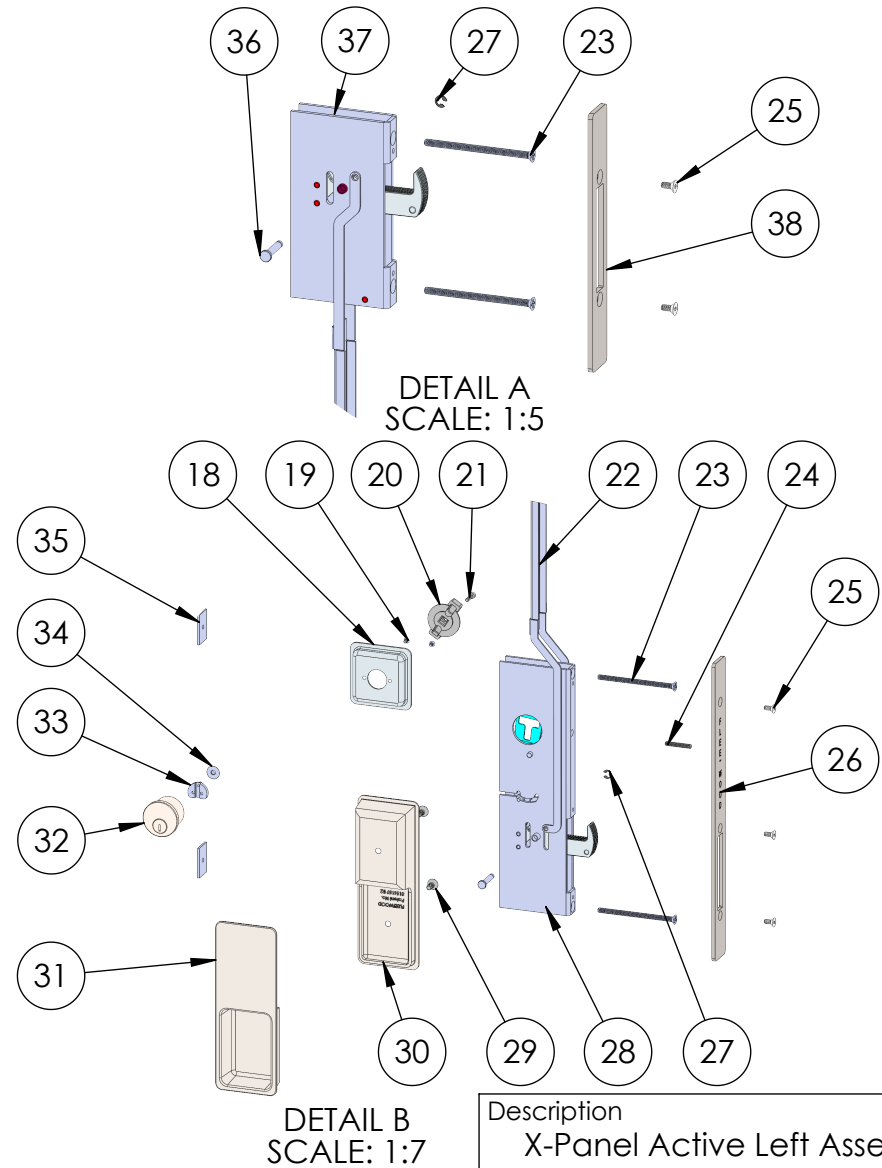
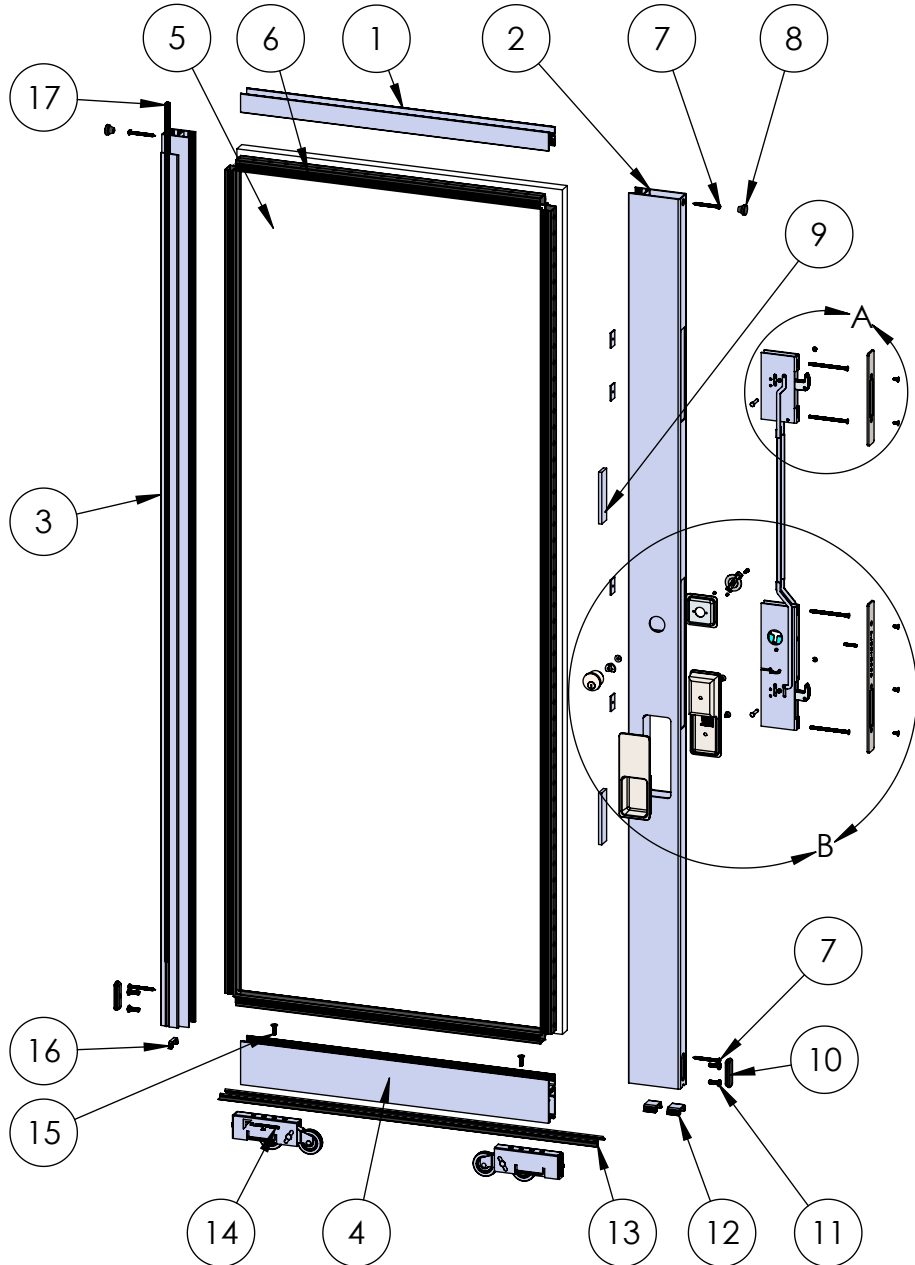
PROPRIETARY AND CONFIDENTIAL

THE INFORMATION CONTAINED IN THIS DRAWING IS THE SOLE PROPERTY OF FLEETWOOD WINDOWS & DOORS.
ANY REPRODUCTION IN PART OR AS A WHOLE WITHOUT THE WRITTEN PERMISSION OF FLEETWOOD WINDOWS & DOORS IS PROHIBITED.

Released 9/24/2024

SHEET 9 OF 11

ASSEMBLY / PARTS LIST (B.O.M.)



PROPRIETARY AND CONFIDENTIAL
THE INFORMATION CONTAINED IN THIS DRAWING IS THE SOLE PROPERTY OF FLEETWOOD WINDOWS & DOORS.
ANY REPRODUCTION IN PART OR AS A WHOLE WITHOUT THE WRITTEN PERMISSION OF FLEETWOOD WINDOWS & DOORS IS PROHIBITED.

Description X-Panel Active Left Assembly	
File Name Series 3050 XXIXX Assembly	REV E
Released 9/24/2024	SHEET 10 OF 11

ASSEMBLY / PARTS LIST (B.O.M.)

EXTRUSIONS

ITEM NO.	PART NUMBER	DESCRIPTION	QTY.
1	3004	Top Rail	1
2	3767	Lock Stile (Archetype)	1
3	3006	Interlocker	1
4	3009	Bottom Rail	1

HARDWARE

ITEM NO.	PART NUMBER	DESCRIPTION	QTY.
5	-	Glass	1
6	22909	Glazing Vinyl (1", 15/16", 1 1/16")	1
7	20355	#10 PHP -A, 2", SS	4
8	20635	Small Round Door Bumper	2
9	18620	Setting Block 4" x 1/4"x1"	2
10	18630	Oval Plug- Short	2
11	20358	#1/4-20 PHP-B, 3/4", SS, Clear	4
12	19141	Bottom Vent Clip (Large)	2
13	19064	Sill Wipe, Bottom Vinyl, BL-122	2
14	20514	A2 Roller Assembly	2
15	20305	#1/4-20 FHP - B, 3/4", SS	2
16	19142	Bottom Vent Clip (Small)	1
17	19117	Large Fin Seal Mohair	1
18	24765, 24080	Archetype Actuator Pocket, OX, (SS, BL)	1
19	24074	#4-40 FHP-UC, .188", SS	2
20	24766, 24079	Archetype Actuator (SS, BL)	1
21	24072, 24094	#6-32, Hex Socket Head Cap, Self Locking, 1/2", SS (SS, BL)	1
22	26373	Archetype Secondary Latch Linkage	1
23	25729	#10-32 FHP, 3", SS, Clear	4
24	24935	#8-32 Set Screw, 1"	1
25	24076	#8-32 FH Socket Cap Screw, 3/8",SS	5

HARDWARE

ITEM NO.	PART NUMBER	DESCRIPTION	QTY.
26	26685	Archetype Latch Faceplate	1
27	24129	E-Style Retaining Ring	2
28	24070	Archetype OX Primary Latch	1
29	24087, 24093	#10-32 FHS Screw, 0.4375" (SS, BL)	2
30	24089, 24091	Archetype Handle, Inside, with Gasket (SS, BL)	1
31	24090, 24092	Archetype Handle, Outside, with Gasket (SS, BL)	1
32	25356, 24782, 24784, 24783	Archetype Keyed Cylinder [SS- (KA, KD), BL- (KA, KD)]	1
33	24780	Cam	1
34	25681	Bushing-Key Cylinder	1
35	18671	Back Up Plate # 10-32 x 0.075" Thk.	4
36	24128	Archetype, Grooved Clevis Pin	2
37	24082	Archetype Secondary Latch	1
38	26686	Archetype Secondary Latch Faceplate	1

Description
X-Panel Active Left B.O.M.

File Name
Series 3050 XXIXX
Assembly

REV
E

PROPRIETARY AND CONFIDENTIAL

THE INFORMATION CONTAINED IN THIS DRAWING IS THE SOLE PROPERTY OF FLEETWOOD WINDOWS & DOORS.
ANY REPRODUCTION IN PART OR AS A WHOLE WITHOUT THE WRITTEN PERMISSION OF FLEETWOOD WINDOWS & DOORS IS PROHIBITED.

Released 9/24/2024

SHEET 11 OF 11