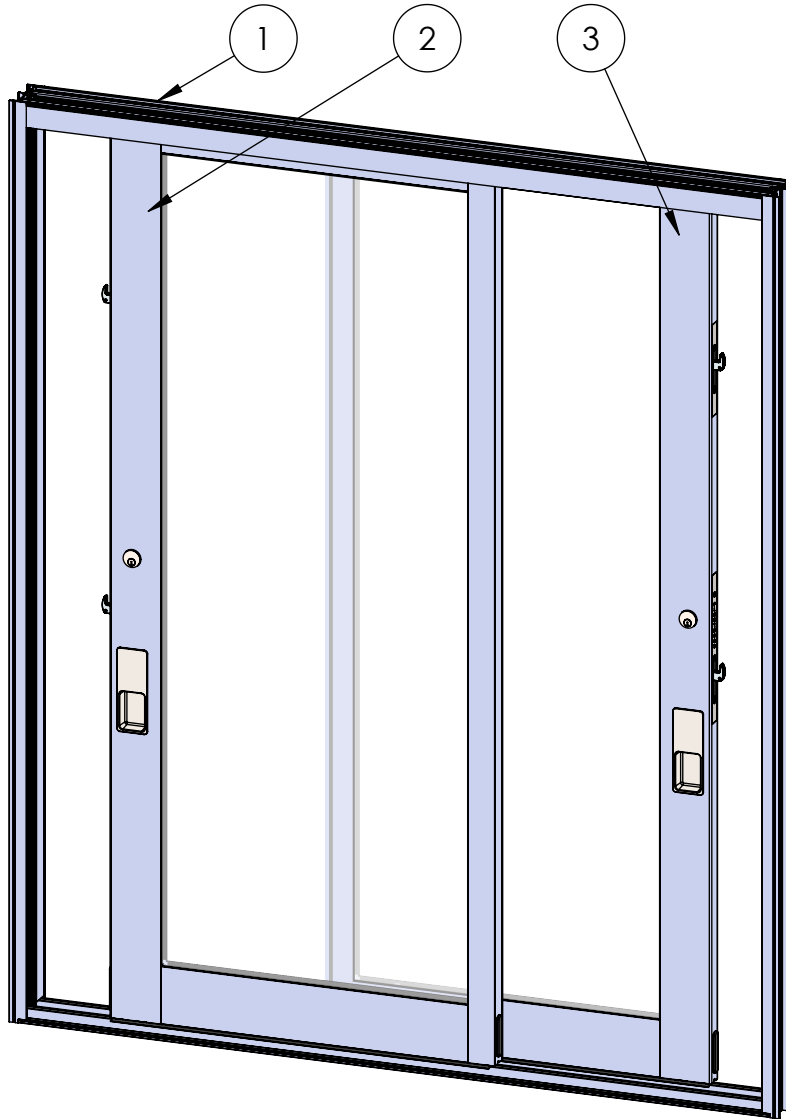


# ASSEMBLY / PARTS LIST (B.O.M.)

**SERIES: 3050**  
**TYPE: XX Configuration without Screens**

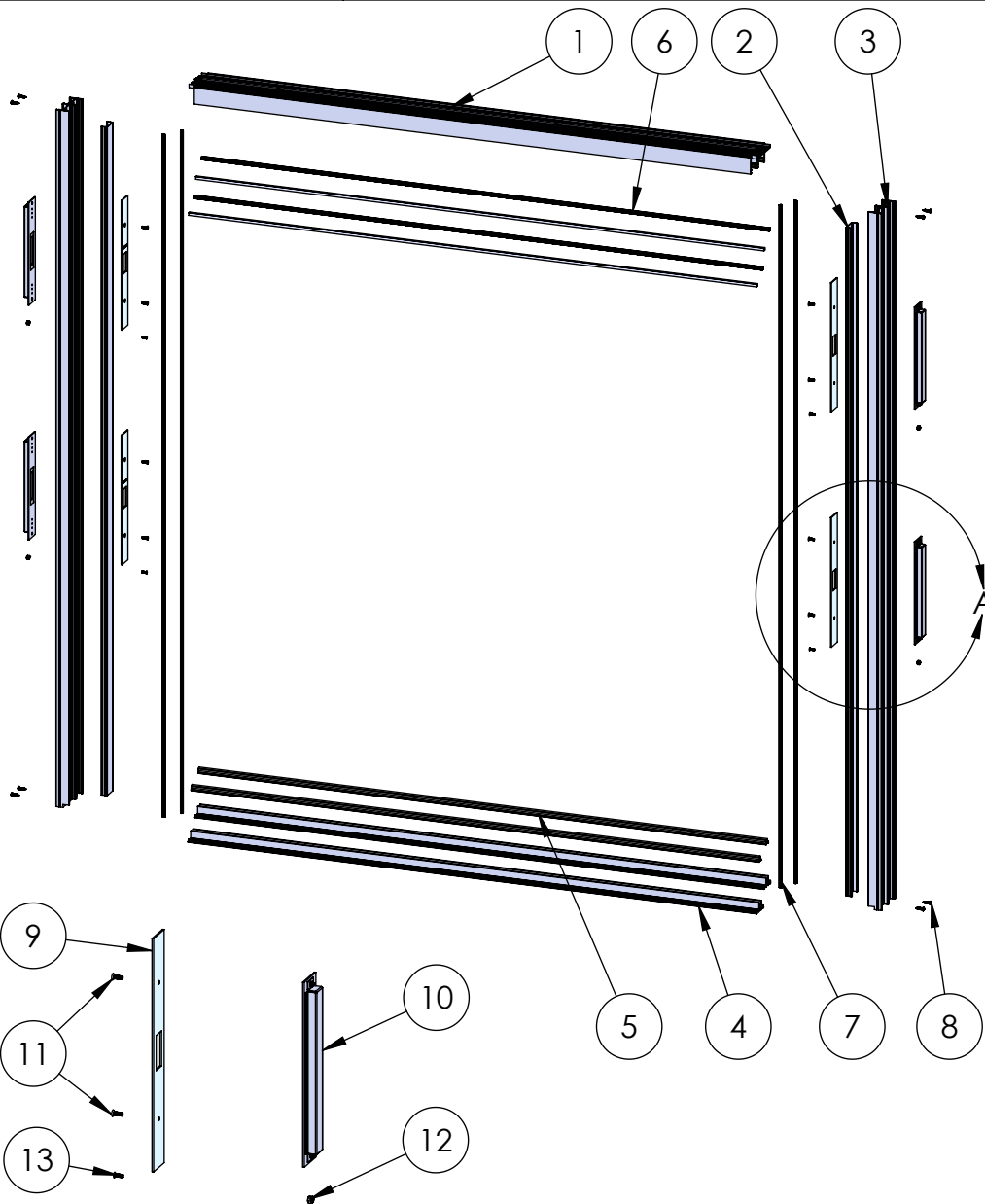


| TABLE OF CONTENTS |                      |        |
|-------------------|----------------------|--------|
| ITEM NO.          | DESCRIPTION          | PAGE # |
| 1                 | XX Frame Assembly    | 2      |
| 2                 | X-Panel Active Right | 3-4    |
| 3                 | X-Panel Active Left  | 5-6    |

|   |                 |
|---|-----------------|
| Description<br>Table of Contents                        |                 |
| File Name<br>Series 3050 XX Assembly<br>Without Screens | REV<br><b>E</b> |
| Released 9/25/2024                                      | SHEET 1 OF 6    |

**PROPRIETARY AND CONFIDENTIAL**  
THE INFORMATION CONTAINED IN THIS DRAWING IS THE SOLE PROPERTY OF FLEETWOOD WINDOWS & DOORS.  
ANY REPRODUCTION IN PART OR AS A WHOLE WITHOUT THE WRITTEN PERMISSION OF FLEETWOOD WINDOWS & DOORS IS PROHIBITED.

# ASSEMBLY / PARTS LIST (B.O.M.)



DETAIL A  
SCALE: 1:10

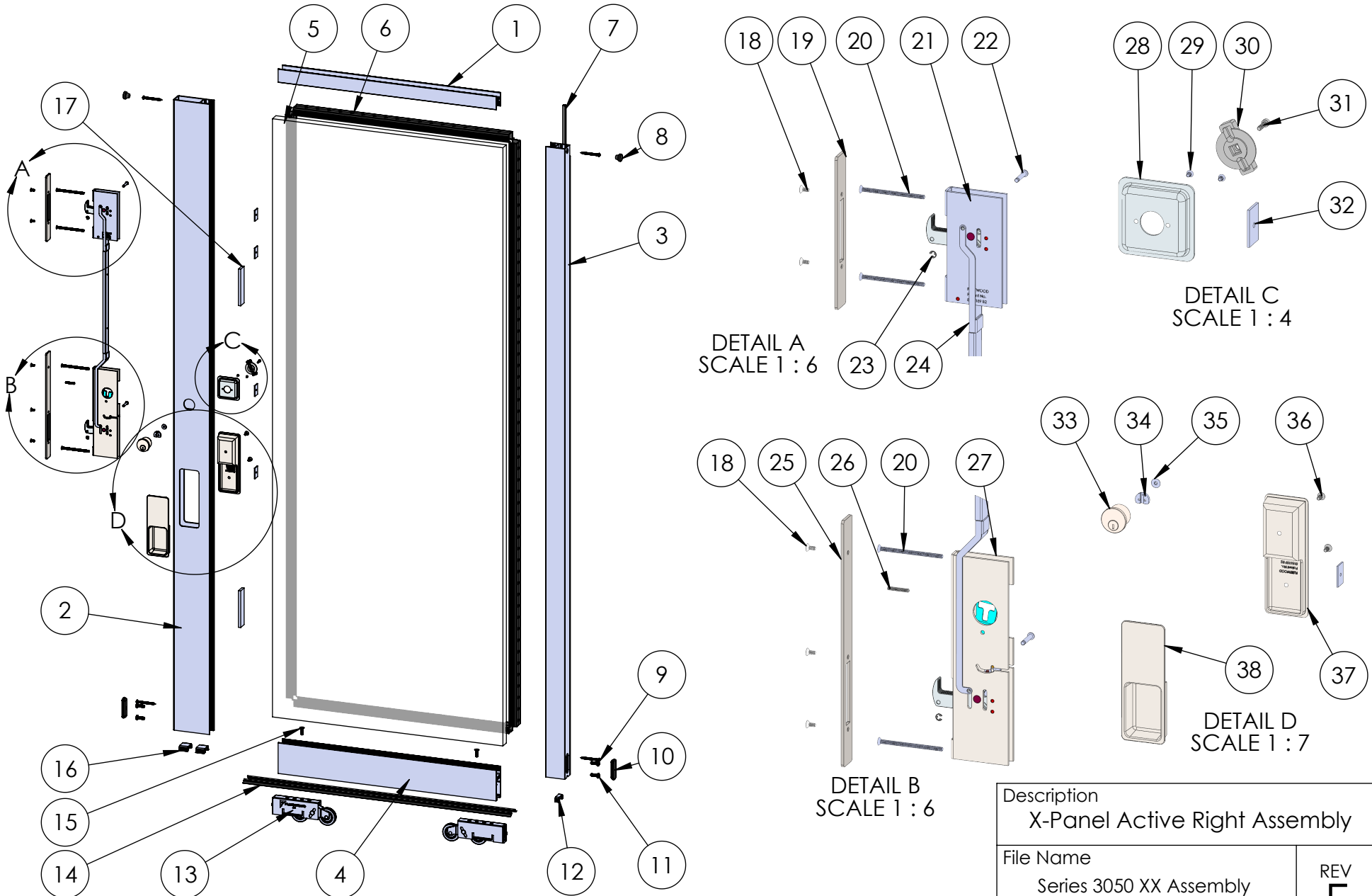
**PROPRIETARY AND CONFIDENTIAL**

THE INFORMATION CONTAINED IN THIS DRAWING IS THE SOLE PROPERTY OF FLEETWOOD WINDOWS & DOORS.  
ANY REPRODUCTION IN PART OR AS A WHOLE WITHOUT THE WRITTEN PERMISSION OF FLEETWOOD WINDOWS & DOORS IS PROHIBITED.

| EXTRUSIONS |             |   |      |
|------------|-------------|---|------|
| ITEM NO.   | PART NUMBER | DESCRIPTION                                 | QTY. |
| 1          | 3702        | Multi-Slide Head (2 Track)                  | 1    |
| 2          | 3710        | Jamb Filler                                 | 2    |
| 3          | 3712        | Multi-Slide Jamb (2 track)                  | 2    |
| 4          | 1092        | 1" Hidden Track                             | 2    |
| 5          | FW1020      | Stainless Steel Track                       | 2    |
| HARDWARE   |             |   |      |
| ITEM NO.   | PART NUMBER | DESCRIPTION                                 | QTY. |
| 6          | 19118       | Small Fin Seal Mohair                       | 4    |
| 7          | 25757       | Q-Lon Foam Seal                             | 4    |
| 8          | 20347       | #10 PHP Screw, 3/4", SS                     | 8    |
| 9          | 24067       | Strike Plate                                | 4    |
| 10         | 24068       | Backup Plate (With Dust Cover)              | 4    |
| 11         | 20278       | #10-32 FHP-B-UC Screw, 1/2", SS             | 8    |
| 12         | 25498       | #8-32 Nut With Nylon-Insert Hex Locknut, SS | 4    |
| 13         | 25497       | #8-32 FHC-UC Screw, 1/2", SS                | 4    |

|   |                 |
|---|-----------------|
| Description<br>Frame Assembly                           |                 |
| File Name<br>Series 3050 XX Assembly<br>Without Screens | REV<br><b>E</b> |
| Released 9/25/2024                                      | SHEET 2 OF 6    |

# ASSEMBLY / PARTS LIST (B.O.M.)



**PROPRIETARY AND CONFIDENTIAL**  
THE INFORMATION CONTAINED IN THIS DRAWING IS THE SOLE PROPERTY OF FLEETWOOD WINDOWS & DOORS.  
ANY REPRODUCTION IN PART OR AS A WHOLE WITHOUT THE WRITTEN PERMISSION OF FLEETWOOD WINDOWS & DOORS IS PROHIBITED.

|   |                 |
|---|-----------------|
| Description<br>X-Panel Active Right Assembly            |                 |
| File Name<br>Series 3050 XX Assembly<br>Without Screens | REV<br><b>E</b> |
| Released  | 9/25/2024       |
| SHEET 3 OF 6  |                 |

# ASSEMBLY / PARTS LIST (B.O.M.)

| EXTRUSIONS |             |                                     |      | HARDWARE |                            |   |      |
|------------|-------------|-------------------------------------|------|----------|----------------------------|---|------|
| ITEM NO.   | PART NUMBER | DESCRIPTION                         | QTY. | ITEM NO. | PART NUMBER                | DESCRIPTION   | QTY. |
| 1          | 3004        | Top Rail                            | 1    | 24       | 26373                      | Archetype Secondary Latch Linkage                           | 1    |
| 2          | 3767        | Lock Stile (Archetype)              | 1    | 25       | 26685                      | Archetype Latch Faceplate                                   | 1    |
| 3          | 3006        | Interlocker                         | 1    | 26       | 24935                      | #8-32 Set Screw, 1"   | 1    |
| 4          | 3009        | Bottom Rail                         | 1    | 27       | 24077                      | Archetype XO Primary Latch                                  | 1    |
| HARDWARE   |             |                                     |      | 28       | 24767, 24081               | Archetype Actuator Pocket, XO, (SS, BL)                     | 1    |
| ITEM NO.   | PART NUMBER | DESCRIPTION                         | QTY. | 29       | 24074                      | #4-40 FHP-UC, .188", SS                                     | 2    |
| 5          | -           | Glass                               | 1    | 30       | 24766, 24079               | Archetype Actuator (SS, BL)                                 | 1    |
| 6          | 22909       | Glazing Vinyl (1", 15/16", 1 1/16") | 1    | 31       | 24072, 24094               | #6-32, Hex Socket Head Cap, Self Locking, 1/2", SS (SS, BL) | 1    |
| 7          | 19117       | Large Fin Seal Mohair               | 1    | 32       | 18671                      | Back Up Plate # 10-32 x 0.075" Thk.                         | 4    |
| 8          | 20635       | Small Round Panel Plug              | 2    | 33       | 25356, 24782, 24784, 24783 | Archetype Keyed Cylinder [SS- (KA, KD), BL- (KA, KD)]       | 1    |
| 9          | 20355       | #10 PHP -A, 2", SS                  | 4    | 34       | 24780                      | Cam   | 1    |
| 10         | 18630       | Oval Plug- Short                    | 2    | 35       | 25681                      | Bushing-Key Cylinder  | 1    |
| 11         | 20358       | #1/4-20 PHP-B, 3/4", SS, Clear      | 4    | 36       | 24087, 24093               | #10-32 FHS Screw, 0.4375" (SS, BL)                          | 2    |
| 12         | 19142       | Bottom Vent Clip (Small)            | 1    | 37       | 24089, 24091               | Archetype Handle Inside, w/ Gasket (SS, BL)                 | 1    |
| 13         | 20514       | A2 Roller Assembly                  | 2    | 38       | 24090, 24092               | Archetype Handle Outside, w/ Gasket (SS, BL)                | 1    |
| 14         | 19064       | Sill Wipe, Bottom Vinyl, BL-122     | 2    |          |                            |   |      |
| 15         | 20305       | #1/4-20 FHP - B, 3/4", SS           | 2    |          |                            |   |      |
| 16         | 19141       | Bottom Vent Clip (Large)            | 2    |          |                            |   |      |
| 17         | 18620       | Setting Block 4" x 1/4"x1"          | 2    |          |                            |   |      |
| 18         | 24076       | #8-32 FH Socket Cap Screw, 3/8",SS  | 5    |          |                            |   |      |
| 19         | 26686       | Archetype Secondary Latch Faceplate | 1    |          |                            |   |      |
| 20         | 25729       | #10-32 FHP, 3", SS, Clear           | 4    |          |                            |   |      |
| 21         | 24082       | Archetype Secondary Latch           | 1    |          |                            |   |      |
| 22         | 24128       | Archetype, Grooved Clevis Pin       | 2    |          |                            |   |      |
| 23         | 24129       | E-Style Retaining Ring              | 2    |          |                            |   |      |

**PROPRIETARY AND CONFIDENTIAL**

THE INFORMATION CONTAINED IN THIS DRAWING IS THE SOLE PROPERTY OF FLEETWOOD WINDOWS & DOORS.  
ANY REPRODUCTION IN PART OR AS A WHOLE WITHOUT THE WRITTEN PERMISSION OF FLEETWOOD WINDOWS & DOORS IS PROHIBITED.

Description  
X-Panel Active Right B.O.M.

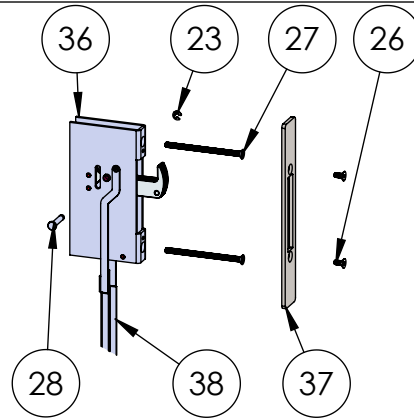
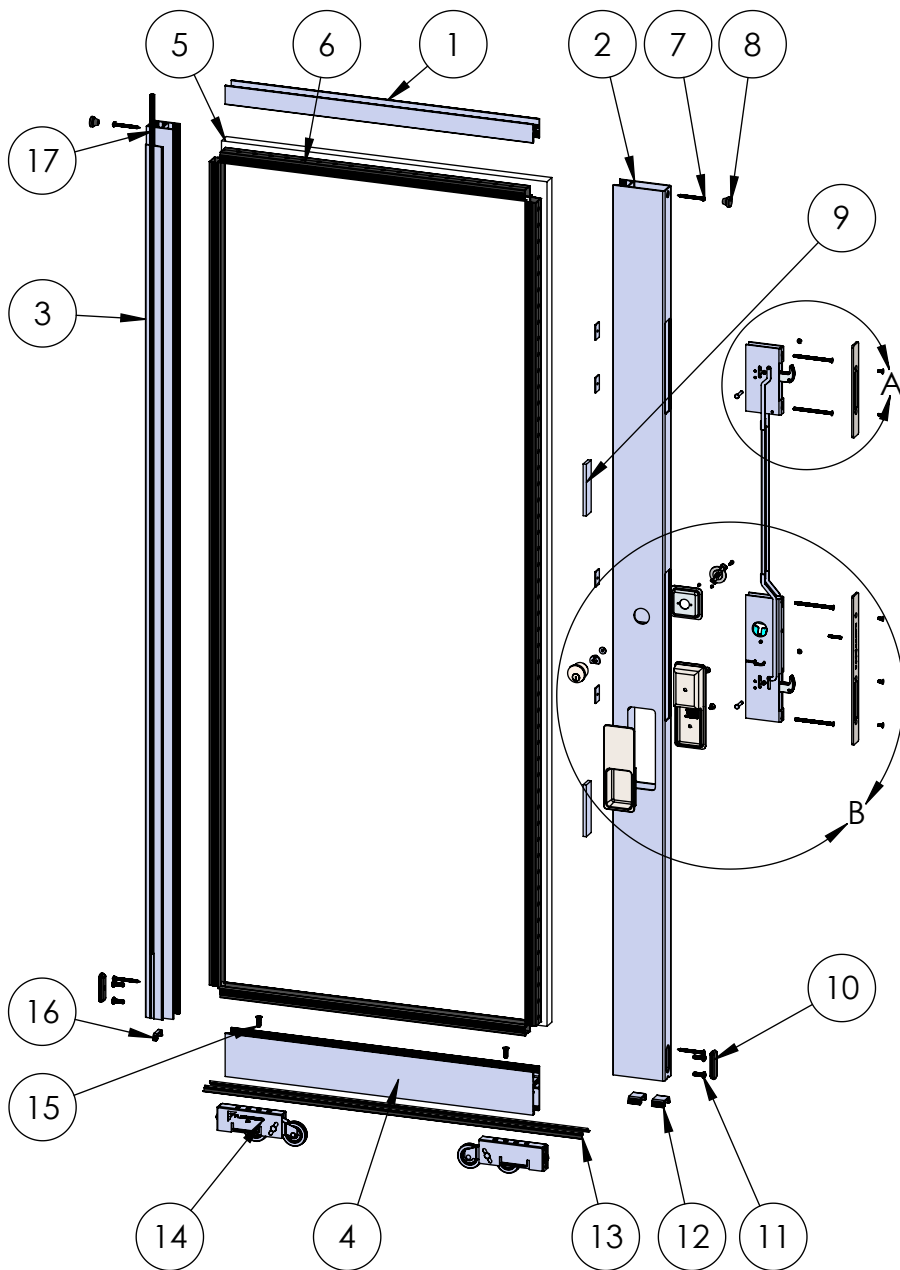
File Name  
Series 3050 XX Assembly  
Without Screens

REV  
E

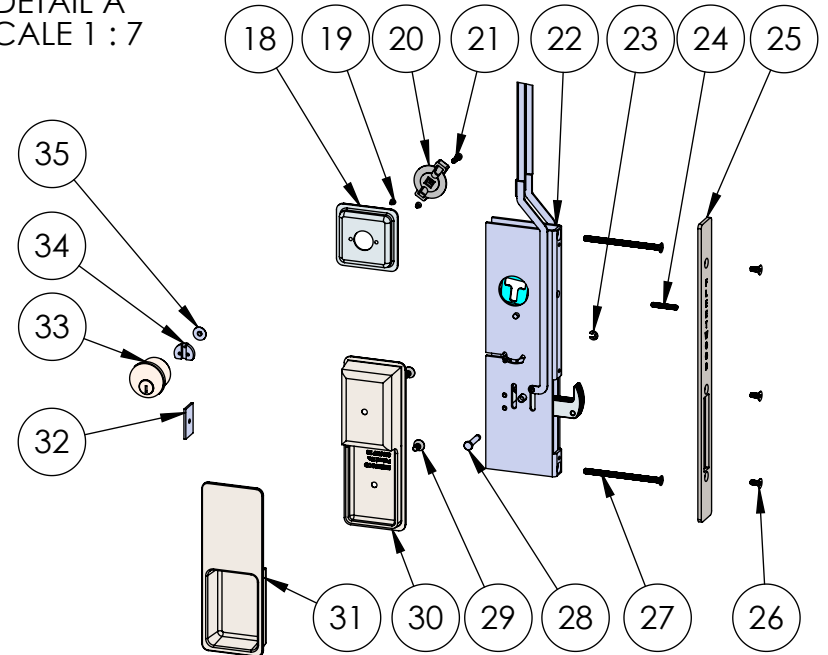
Released 9/25/2024

SHEET 4 OF 6

# ASSEMBLY / PARTS LIST (B.O.M.)



DETAIL A  
SCALE 1 : 7



DETAIL B  
SCALE 1 : 7

Description  
X-Panel Active Left Assembly

File Name  
Series 3050 XX Assembly  
Without Screens

REV  
**E**

Released 9/25/2024

SHEET 5 OF 6

**PROPRIETARY AND CONFIDENTIAL**  
THE INFORMATION CONTAINED IN THIS DRAWING IS THE SOLE PROPERTY OF FLEETWOOD WINDOWS & DOORS.  
ANY REPRODUCTION IN PART OR AS A WHOLE WITHOUT THE WRITTEN PERMISSION OF FLEETWOOD WINDOWS & DOORS IS PROHIBITED.

# ASSEMBLY / PARTS LIST (B.O.M.)

## EXTRUSIONS

| ITEM NO. | PART NUMBER | DESCRIPTION            | QTY. |
|----------|-------------|------------------------|------|
| 1        | 3004        | Top Rail               | 1    |
| 2        | 3767        | Lock Stile (Archetype) | 1    |
| 3        | 3006        | Interlocker            | 1    |
| 4        | 3009        | Bottom Rail            | 1    |

## HARDWARE

| ITEM NO. | PART NUMBER  | DESCRIPTION   | QTY. |
|----------|--------------|---|------|
| 5        | -            | Glass   | 1    |
| 6        | 22909        | Glazing Vinyl (1", 15/16", 1 1/16")                         | 1    |
| 7        | 20355        | #10 PHP -A, 2", SS  | 4    |
| 8        | 20635        | Small Round Door Bumper                                     | 2    |
| 9        | 18620        | Setting Block 4" x 1/4"x1"                                  | 2    |
| 10       | 18630        | Oval Plug- Short  | 2    |
| 11       | 20358        | #1/4-20 PHP-B, 3/4", SS, Clear                              | 4    |
| 12       | 19141        | Bottom Vent Clip (Large)                                    | 2    |
| 13       | 19064        | Sill Wipe, Bottom Vinyl, BL-122                             | 2    |
| 14       | 20514        | A2 Roller Assembly  | 2    |
| 15       | 20305        | #1/4-20 FHP - B, 3/4", SS                                   | 2    |
| 16       | 19142        | Bottom Vent Clip (Small)                                    | 1    |
| 17       | 19117        | Large Fin Seal Mohair                                       | 1    |
| 18       | 24765, 24080 | Archetype Actuator Pocket, OX, (SS, BL)                     | 1    |
| 19       | 24074        | #4-40 FHP-UC, .188", SS                                     | 2    |
| 20       | 24766, 24079 | Archetype Actuator (SS, BL)                                 | 1    |
| 21       | 24072, 24094 | #6-32, Hex Socket Head Cap, Self Locking, 1/2", SS (SS, BL) | 1    |
| 22       | 24070        | Archetype OX Primary Latch                                  | 1    |
| 23       | 24129        | E-Style Retaining Ring                                      | 2    |
| 24       | 24935        | #8-32 Set Screw, 1"   | 1    |

## HARDWARE

| ITEM NO. | PART NUMBER                | DESCRIPTION   | QTY. |
|----------|----------------------------|---|------|
| 25       | 26685                      | Archetype Latch Faceplate                             | 1    |
| 26       | 24076                      | #8-32 FH Socket Cap Screw, 3/8",SS                    | 5    |
| 27       | 25729                      | #10-32 FHP, 3", SS, Clear                             | 4    |
| 28       | 24128                      | Archetype, Grooved Clevis Pin                         | 2    |
| 29       | 24087, 24093               | #10-32 FHS Screw, 0.4375" (SS, BL)                    | 2    |
| 30       | 24089, 24091               | Archetype Handle, Inside, with Gasket (SS, BL)        | 1    |
| 31       | 24090, 24092               | Archetype Handle, Outside, with Gasket (SS, BL)       | 1    |
| 32       | 18671                      | Back Up Plate # 10-32 x 0.075" Thk.                   | 4    |
| 33       | 25356, 24782, 24784, 24783 | Archetype Keyed Cylinder [SS- (KA, KD), BL- (KA, KD)] | 1    |
| 34       | 24780                      | Cam   | 1    |
| 35       | 25681                      | Bushing-Key Cylinder                                  | 1    |
| 36       | 24082                      | Archetype Secondary Latch                             | 1    |
| 37       | 26686                      | Archetype Secondary Latch Faceplate                   | 1    |
| 38       | 26373                      | Archetype Secondary Latch Linkage                     | 1    |

Description  
X-Panel Active Left B.O.M.

File Name  
Series 3050 XX Assembly  
Without Screens

REV  
E

**PROPRIETARY AND CONFIDENTIAL**

THE INFORMATION CONTAINED IN THIS DRAWING IS THE SOLE PROPERTY OF FLEETWOOD WINDOWS & DOORS.  
ANY REPRODUCTION IN PART OR AS A WHOLE WITHOUT THE WRITTEN PERMISSION OF FLEETWOOD WINDOWS & DOORS IS PROHIBITED.

Released 9/25/2024

SHEET 6 OF 6