

ASSEMBLY / PARTS LIST (B.O.M.)

Series: 3050
Type: XX Configuration with Screens

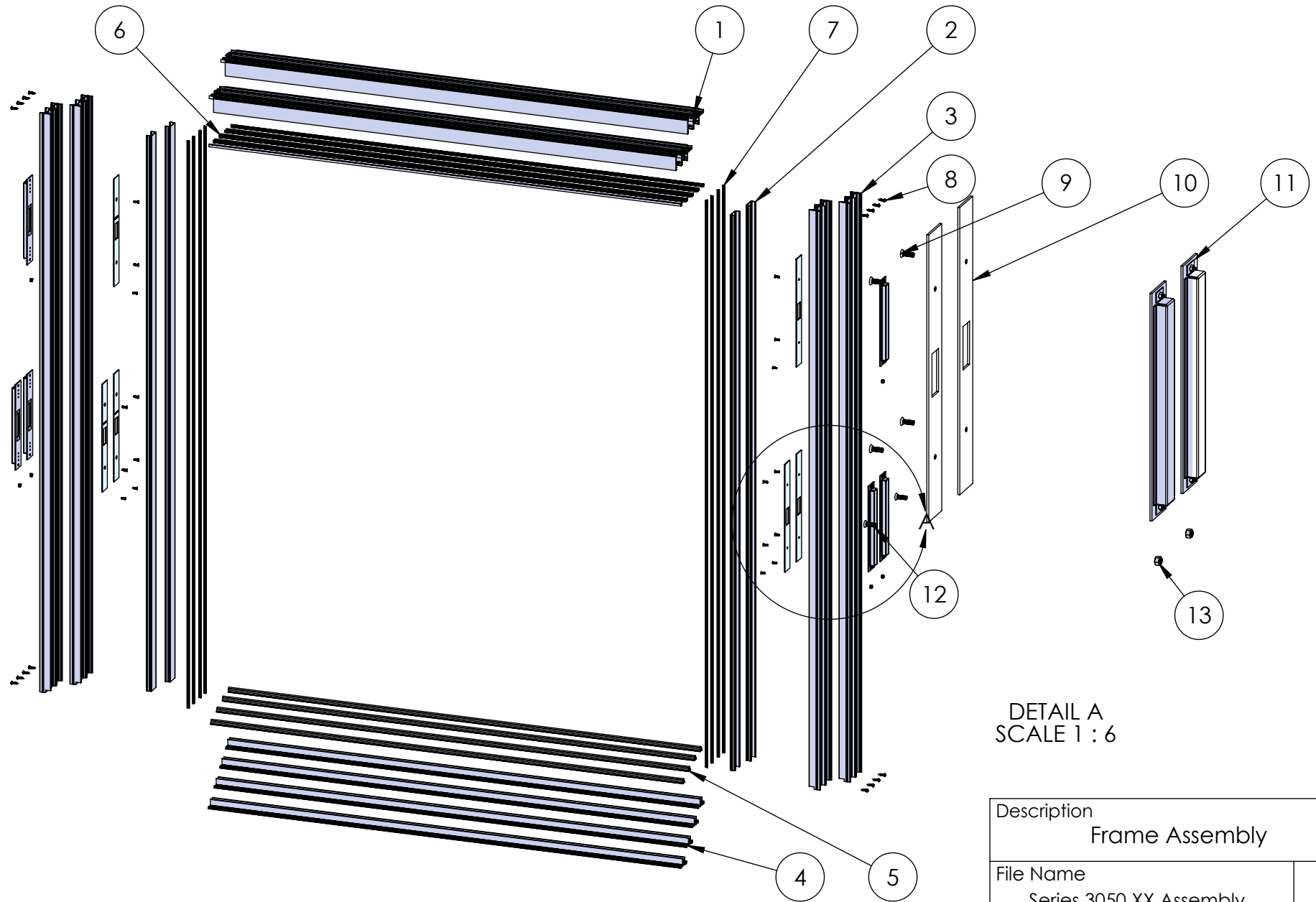


TABLE OF CONTENTS		
ITEM NO.	DESCRIPTION	PAGE #
1	Frame Assembly	2-3
2	X-Panel Active Right	4-5
3	Screen Panel Active Right	6-7
4	Screen Panel Active Left	8-9
5	X-Panel Active Left	10-11

Description Table of Contents	
File Name Series 3050 XX Assembly With Screens	REV E
Released 9/26/2024	SHEET 1 OF 11

PROPRIETARY AND CONFIDENTIAL
 THE INFORMATION CONTAINED IN THIS DRAWING IS THE SOLE PROPERTY OF FLEETWOOD WINDOWS & DOORS.
 ANY REPRODUCTION IN PART OR AS A WHOLE WITHOUT THE WRITTEN PERMISSION OF FLEETWOOD WINDOWS & DOORS IS PROHIBITED.

ASSEMBLY / PARTS LIST (B.O.M.)



DETAIL A
 SCALE 1 : 6

PROPRIETARY AND CONFIDENTIAL
 THE INFORMATION CONTAINED IN THIS DRAWING IS THE SOLE PROPERTY OF FLEETWOOD WINDOWS & DOORS.
 ANY REPRODUCTION IN PART OR AS A WHOLE WITHOUT THE WRITTEN PERMISSION OF FLEETWOOD WINDOWS & DOORS IS PROHIBITED.

Description Frame Assembly	
File Name Series 3050 XX Assembly With Screens	REV E
Released 9/26/2024	SHEET 2 OF 11

ASSEMBLY / PARTS LIST (B.O.M.)

EXTRUSIONS

ITEM NO.	PART NUMBER	DESCRIPTION	QTY.
1	3702	Multi-Slide Head (2 Track)	2
2	3710	Jamb Filler	4
3	3712	Multi-Slide Jamb (2 track)	4
4	1092	1" Hidden Track	4
5	FW1020	Stainless Steel Track	4

HARDWARE

ITEM NO.	PART NUMBER	DESCRIPTION	QTY.
6	19118	Small Fin Seal Mohair	8
7	25757	Q-Lon Foam Seal	8
8	20347	#10 PHP Screw, 3/4", SS	16
9	20278	#10-32 FHP-B-UC Screw, 1/2", SS	12
10	24067	Strike Plate	6
11	24068	Backup Plate (With Dust Cover)	6
12	25497	#8-32 FHC-UC Screw, 1/2", SS	6
13	25498	#8-32 Nut With Nylon-Insert Hex Locknut, SS	6

Description
Frame Assembly B.O.M.

File Name
Series 3050 XX Assembly
With Screens

REV
E

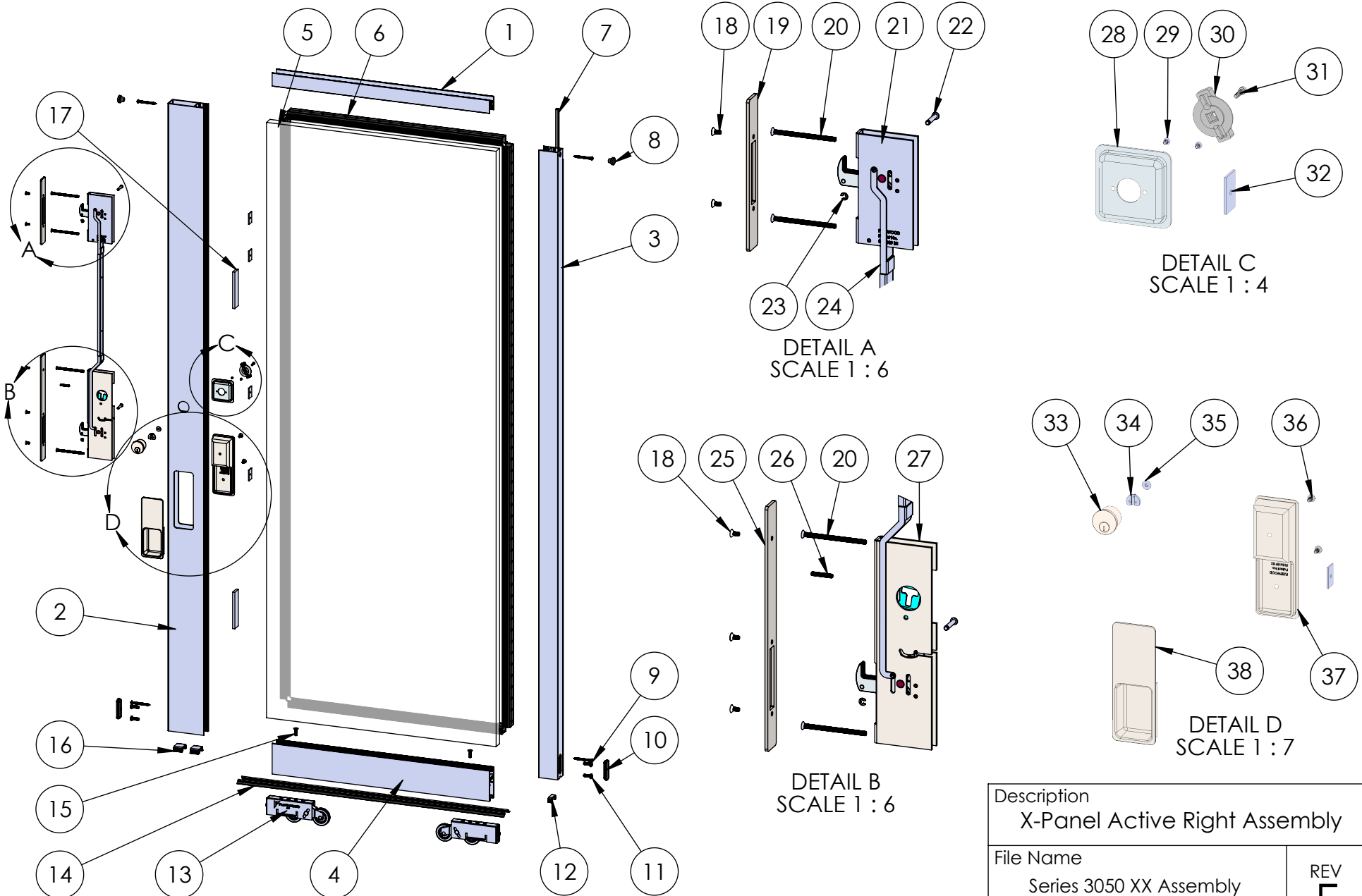
PROPRIETARY AND CONFIDENTIAL

THE INFORMATION CONTAINED IN THIS DRAWING IS THE SOLE PROPERTY OF FLEETWOOD WINDOWS & DOORS.
ANY REPRODUCTION IN PART OR AS A WHOLE WITHOUT THE WRITTEN PERMISSION OF FLEETWOOD WINDOWS & DOORS IS PROHIBITED.

Released 9/26/2024

SHEET 3 OF 11

ASSEMBLY / PARTS LIST (B.O.M.)



PROPRIETARY AND CONFIDENTIAL
THE INFORMATION CONTAINED IN THIS DRAWING IS THE SOLE PROPERTY OF FLEETWOOD WINDOWS & DOORS.
ANY REPRODUCTION IN PART OR AS A WHOLE WITHOUT THE WRITTEN PERMISSION OF FLEETWOOD WINDOWS & DOORS IS PROHIBITED.

Description X-Panel Active Right Assembly	
File Name Series 3050 XX Assembly With Screens	REV E
Released	9/26/2024
SHEET 4 OF 11	

ASSEMBLY / PARTS LIST (B.O.M.)

EXTRUSIONS				HARDWARE			
ITEM NO.	PART NUMBER	DESCRIPTION	QTY.	ITEM NO.	PART NUMBER	DESCRIPTION	QTY.
1	3004	Top Rail	1	24	26373	Archetype Secondary Latch Linkage	1
2	3767	Lock Stile (Archetype)	1	25	26685	Archetype Latch Faceplate	1
3	3006	Interlocker	1	26	24935	#8-32 Set Screw, 1"	1
4	3009	Bottom Rail	1	27	24077	Archetype XO Primary Latch	1
HARDWARE				28	24767, 24081	Archetype Actuator Pocket, XO, (SS, BL)	1
ITEM NO.	PART NUMBER	DESCRIPTION	QTY.	29	24074	#4-40 FHP-UC, .188", SS	2
5	-	Glass	1	30	24766, 24079	Archetype Actuator (SS, BL)	1
6	22909	Glazing Vinyl (1", 15/16", 1 1/16")	1	31	24072, 24094	#6-32, Hex Socket Head Cap, Self Locking, 1/2", SS (SS, BL)	1
7	19117	Large Fin Seal Mohair	1	32	18671	Back Up Plate # 10-32 x 0.075" Thk.	4
8	20635	Small Round Panel Plug	2	33	25356, 24782, 24784, 24783	Archetype Keyed Cylinder [SS- (KA, KD), BL- (KA, KD)]	1
9	20355	#10 PHP -A, 2", SS	4	34	24780	Cam	1
10	18630	Oval Plug- Short	2	35	25681	Bushing-Key Cylinder	1
11	20358	#1/4-20 PHP-B, 3/4", SS, Clear	4	36	24087, 24093	#10-32 FHS Screw, 0.4375" (SS, BL)	2
12	19142	Bottom Vent Clip (Small)	1	37	24089, 24091	Archetype Handle Inside, w/ Gasket (SS, BL)	1
13	20514	A2 Roller Assembly	2	38	24090, 24092	Archetype Handle Outside, w/ Gasket (SS, BL)	1
14	19064	Sill Wipe, Bottom Vinyl, BL-122	2				
15	20305	#1/4-20 FHP - B, 3/4", SS	2				
16	19141	Bottom Vent Clip (Large)	2				
17	18620	Setting Block 4" x 1/4"x1"	2				
18	24076	#8-32 FH Socket Cap Screw, 3/8",SS	5				
19	26686	Archetype Secondary Latch Faceplate	1				
20	25729	#10-32 FHP, 3", SS, Clear	4				
21	24082	Archetype Secondary Latch	1				
22	24128	Archetype, Grooved Clevis Pin	2				
23	24129	E-Style Retaining Ring	2				

PROPRIETARY AND CONFIDENTIAL

THE INFORMATION CONTAINED IN THIS DRAWING IS THE SOLE PROPERTY OF FLEETWOOD WINDOWS & DOORS.
ANY REPRODUCTION IN PART OR AS A WHOLE WITHOUT THE WRITTEN PERMISSION OF FLEETWOOD WINDOWS & DOORS IS PROHIBITED.

Description
X-Panel Active Right B.O.M.

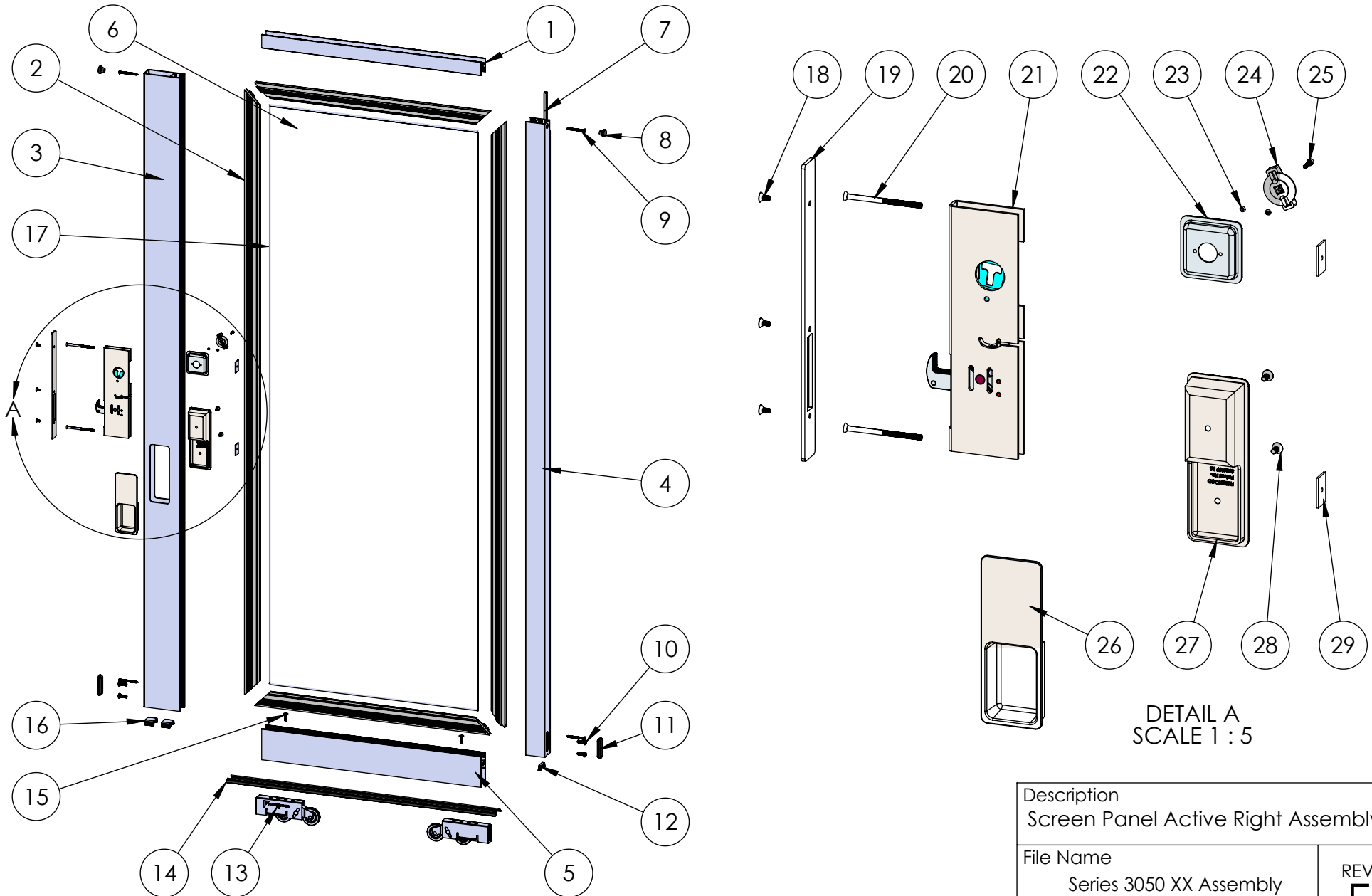
File Name
Series 3050 XX Assembly
With Screens

REV
E

Released 9/26/2024

SHEET 5 OF 11

ASSEMBLY / PARTS LIST (B.O.M.)



DETAIL A
 SCALE 1 : 5

PROPRIETARY AND CONFIDENTIAL
 THE INFORMATION CONTAINED IN THIS DRAWING IS THE SOLE PROPERTY OF FLEETWOOD WINDOWS & DOORS.
 ANY REPRODUCTION IN PART OR AS A WHOLE WITHOUT THE WRITTEN PERMISSION OF FLEETWOOD WINDOWS & DOORS IS PROHIBITED.

Description Screen Panel Active Right Assembly	
File Name Series 3050 XX Assembly With Screens	REV E
Released	9/26/2024
SHEET 6 OF 11	

ASSEMBLY / PARTS LIST (B.O.M.)

EXTRUSIONS

ITEM NO.	PART NUMBER	DESCRIPTION	QTY.
1	3004	Top Rail	1
2	3766	Screen Adapter	4
3	3767	Lock Stile (Archetype)	1
4	3006	Interlocker	1
5	3009	Bottom Rail	1

HARDWARE

ITEM NO.	PART NUMBER	DESCRIPTION	QTY.
6	-	Screen Mesh	1
7	19117	Large Fin Seal Mohair	1
8	20635	Small Round Panel Plug	2
9	20355	#10 PHP -A, 2", SS	4
10	20358	#1/4-20 PHP-B, 3/4", SS, Clear	4
11	18630	Oval Plug- Short	2
12	19142	Bottom Vent Clip (Small)	1
13	20514	A2 Roller Assembly	2
14	19064	Sill Wipe, Bottom Vinyl, BL-122	2
15	20305	#1/4-20 FHP - B, 3/4", SS	2
16	19141	Bottom Vent Clip (Large)	2
17	19129	Screen Spline	1
18	24076	#8-32 FHS Screw, .375", SS	3
19	26685	Archetype Latch Faceplate	1
20	25729	#10-32 FHP, 3", SS	2
21	24077	Archetype XO Primary Latch	1
22	24767, 24081	Archetype Actuator Pocket, XO, (SS, BL)	1

HARDWARE

ITEM NO.	PART NUMBER	DESCRIPTION	QTY.
23	24074	24074, #4-40 FHP, .125, SS	2
24	24766, 24079	Archetype Actuator (SS, BL)	1
25	24072, 24094	#6-32, Hex Socket Head Cap, Self Locking, 1/2", SS (SS, BL)	1
26	24090, 24092	Archetype Handle, Outside, with Gasket (SS, BL)	1
27	24089, 24091	Archetype Handle, Inside, with Gasket (SS, BL)	1
28	24087, 24093	#10-32 FHS Screw, 0.4375" (SS, BL)	2
29	18671	Back Up Plate # 10-32 x 0.075" Thk.	2

Description
Screen Panel Active Right B.O.M.

File Name
Series 3050 XX Assembly
With Screens

REV
E

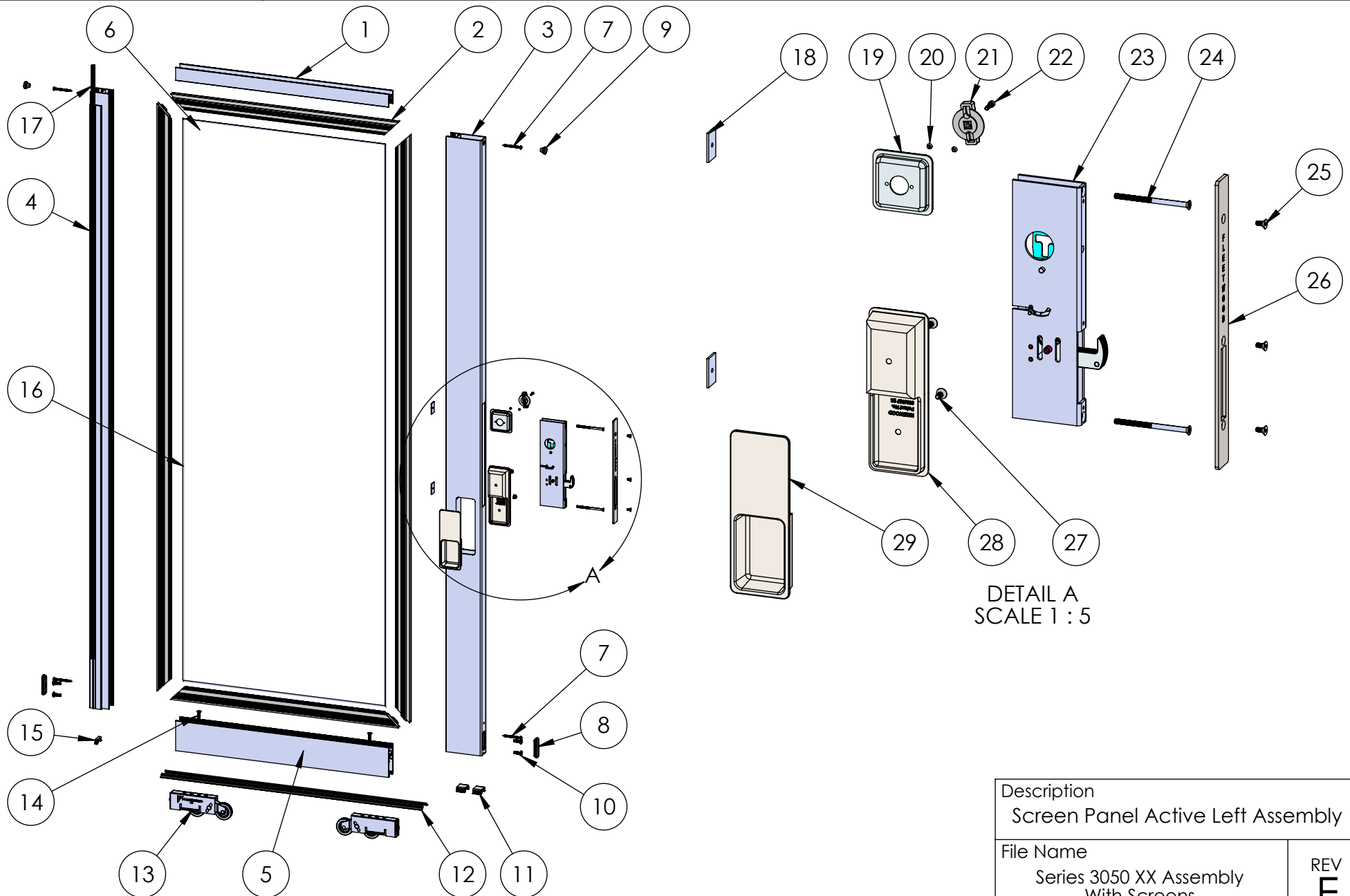
PROPRIETARY AND CONFIDENTIAL

THE INFORMATION CONTAINED IN THIS DRAWING IS THE SOLE PROPERTY OF FLEETWOOD WINDOWS & DOORS.
ANY REPRODUCTION IN PART OR AS A WHOLE WITHOUT THE WRITTEN PERMISSION OF FLEETWOOD WINDOWS & DOORS IS PROHIBITED.

Released 9/26/2024

SHEET 7 OF 11

ASSEMBLY / PARTS LIST (B.O.M.)



PROPRIETARY AND CONFIDENTIAL
THE INFORMATION CONTAINED IN THIS DRAWING IS THE SOLE PROPERTY OF FLEETWOOD WINDOWS & DOORS.
ANY REPRODUCTION IN PART OR AS A WHOLE WITHOUT THE WRITTEN PERMISSION OF FLEETWOOD WINDOWS & DOORS IS PROHIBITED.

Description Screen Panel Active Left Assembly	
File Name Series 3050 XX Assembly With Screens	REV E
Released	9/26/2024
SHEET 8 OF 11	

ASSEMBLY / PARTS LIST (B.O.M.)

EXTRUSIONS			
ITEM NO.	PART NUMBER	DESCRIPTION	QTY.
1	3004	Top Rail	1
2	3766	Screen Adapter	4
3	3767	Lock Stile (Archetype)	1
4	3006	Interlocker	1
5	3009	Bottom Rail	1

HARDWARE			
ITEM NO.	PART NUMBER	DESCRIPTION	QTY.
6	-	Screen Mesh	1
7	20355	#10 PHP -A, 2", SS	4
8	18630	Oval Plug- Short	2
9	20635	Small Round Panel Plug	2
10	20358	#1/4-20 PHP-B, 3/4", SS, Clear	4
11	19141	Bottom Vent Clip (Large)	2
12	19064	Sill Wipe, Bottom Vinyl, BL-122	2
13	20514	A2 Roller Assembly	2
14	20305	#1/4-20 FHP - B, 3/4", SS	2
15	19142	Bottom Vent Clip (Small)	1
16	19129	Screen Spline	1
17	19117	Large Fin Seal Mohair	1
18	18671	Back Up Plate # 10-32 x 0.075" Thk.	2
19	24765, 24080	Archetype Actuator Pocket, OX, (SS, BL)	1
20	24074	24074, #4-40 FHP, .125, SS	2
21	24766, 24079	Archetype Actuator (SS, BL)	1
22	24072, 24094	#6-32, Hex Socket Head Cap, 1/2", SS (SS, BL)	1

HARDWARE			
ITEM NO.	PART NUMBER	DESCRIPTION	QTY.
23	24070	Archetype OX Primary Latch	1
24	25729	#10-32 FHP, 3", SS	2
25	24076	#8-32 FHS Screw, .375", SS	3
26	26685	Archetype Latch Faceplate	1
27	24087, 24093	#10-32 FHS Screw, 0.4375" (SS, BL)	2
28	24089, 24091	Archetype Handle, Inside, with Gasket (SS, BL)	1
29	24090, 24092	Archetype Handle, Outside, with Gasket (SS, BL)	1

Description
Screen Panel Active Left B.O.M.

File Name
Series 3050 XX Assembly
With Screens

REV
E

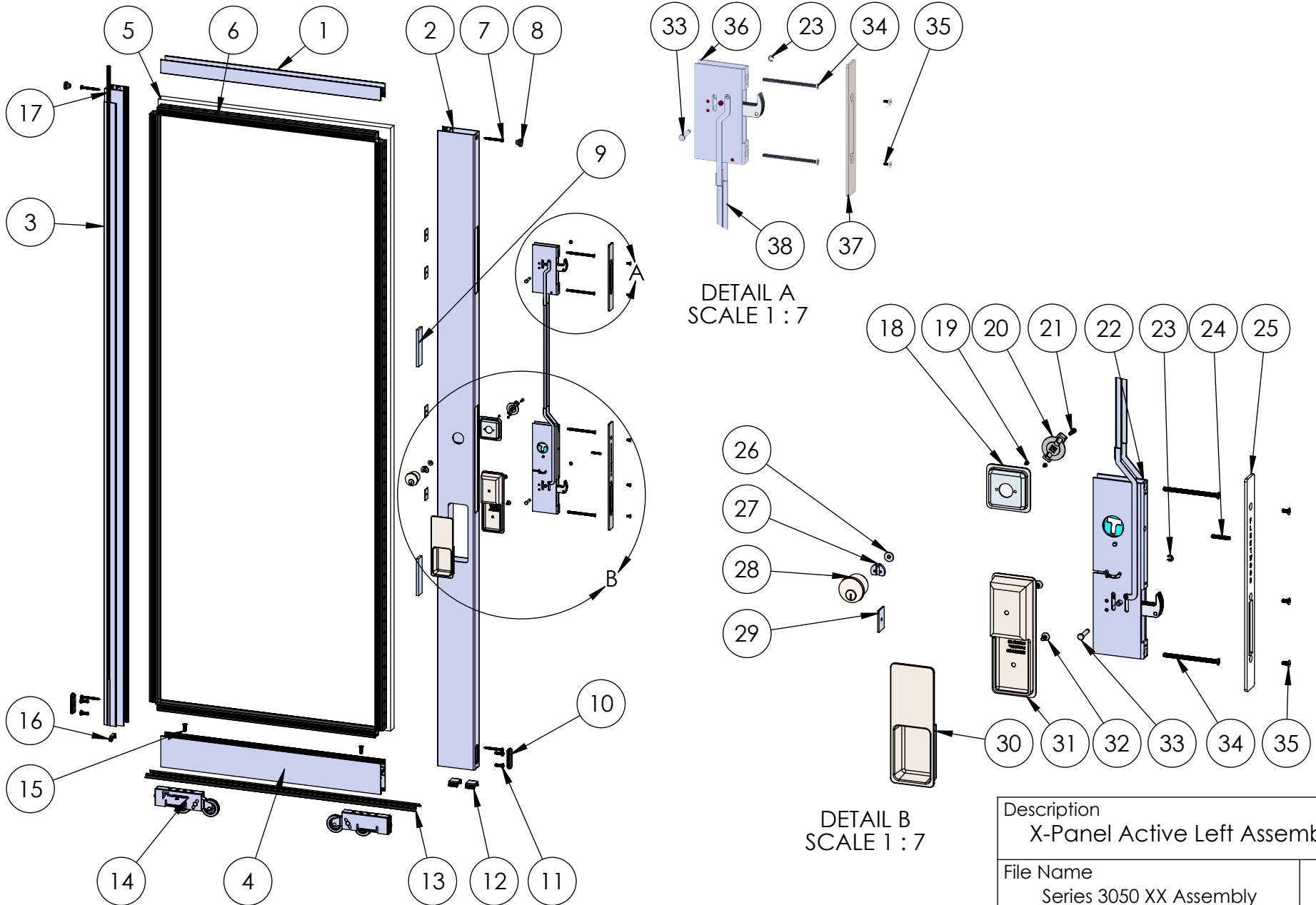
PROPRIETARY AND CONFIDENTIAL

THE INFORMATION CONTAINED IN THIS DRAWING IS THE SOLE PROPERTY OF FLEETWOOD WINDOWS & DOORS.
ANY REPRODUCTION IN PART OR AS A WHOLE WITHOUT THE WRITTEN PERMISSION OF FLEETWOOD WINDOWS & DOORS IS PROHIBITED.

Released 9/26/2024

SHEET 9 OF 11

ASSEMBLY / PARTS LIST (B.O.M.)



PROPRIETARY AND CONFIDENTIAL
THE INFORMATION CONTAINED IN THIS DRAWING IS THE SOLE PROPERTY OF FLEETWOOD WINDOWS & DOORS.
ANY REPRODUCTION IN PART OR AS A WHOLE WITHOUT THE WRITTEN PERMISSION OF FLEETWOOD WINDOWS & DOORS IS PROHIBITED.

Description X-Panel Active Left Assembly	
File Name Series 3050 XX Assembly With Screens	REV E
Released	9/26/2024
SHEET 10 OF 11	

ASSEMBLY / PARTS LIST (B.O.M.)

EXTRUSIONS			
ITEM NO.	PART NUMBER	DESCRIPTION	QTY.
1	3004	Top Rail	1
2	3767	Lock Stile (Archetype)	1
3	3006	Interlocker	1
4	3009	Bottom Rail	1

HARDWARE			
ITEM NO.	PART NUMBER	DESCRIPTION	QTY.
5	-	Glass	1
6	22909	Glazing Vinyl (1", 15/16", 1 1/16")	1
7	20355	#10 PHP -A, 2", SS	4
8	20635	Small Round Door Bumper	2
9	18620	Setting Block 4" x 1/4"x1"	2
10	18630	Oval Plug- Short	2
11	20358	#1/4-20 PHP-B, 3/4", SS, Clear	4
12	19141	Bottom Vent Clip (Large)	2
13	19064	Sill Wipe, Bottom Vinyl, BL-122	2
14	20514	A2 Roller Assembly	2
15	20305	#1/4-20 FHP - B, 3/4", SS	2
16	19142	Bottom Vent Clip (Small)	1
17	19117	Large Fin Seal Mohair	1
18	24765, 24080	Archetype Actuator Pocket, OX, (SS, BL)	1
19	24074	#4-40 FHP-UC, .188", SS	2
20	24766, 24079	Archetype Actuator (SS, BL)	1
21	24072, 24094	#6-32, Hex Socket Head Cap, Self Locking, 1/2", SS (SS, BL)	1
22	24070	Archetype OX Primary Latch	1
23	24129	E-Style Retaining Ring	2
24	24935	#8-32 Set Screw, 1"	1
25	26685	Archetype Latch Faceplate	1

HARDWARE			
ITEM NO.	PART NUMBER	DESCRIPTION	QTY.
26	25681	Bushing-Key Cylinder	1
27	24780	Cam	1
28	25356, 24782, 24784, 24783	Archetype Keyed Cylinder [SS- (KA, KD), BL- (KA, KD)]	1
29	18671	Back Up Plate # 10-32 x 0.075" Thk.	4
30	24090, 24092	Archetype Handle, Outside, with Gasket (SS, BL)	1
31	24089, 24091	Archetype Handle, Inside, with Gasket (SS, BL)	1
32	24087, 24093	#10-32 FHS Screw, 0.4375" (SS, BL)	2
33	24128	Archetype, Grooved Clevis Pin	2
34	25729	#10-32 FHP, 3", SS, Clear	4
35	24076	#8-32 FH Socket Cap Screw, 3/8",SS	5
36	24082	Archetype Secondary Latch	1
37	26686	Archetype Secondary Latch Faceplate	1
38	26373	Archetype Secondary Latch Linkage	1

Description X-Panel Active Left B.O.M.	
File Name Series 3050 XX Assembly With Screens	REV E
Released 9/26/2024	SHEET 11 OF 11

PROPRIETARY AND CONFIDENTIAL
THE INFORMATION CONTAINED IN THIS DRAWING IS THE SOLE PROPERTY OF FLEETWOOD WINDOWS & DOORS.
ANY REPRODUCTION IN PART OR AS A WHOLE WITHOUT THE WRITTEN PERMISSION OF FLEETWOOD WINDOWS & DOORS IS PROHIBITED.