

# ASSEMBLY / PARTS LIST (B.O.M.)

**Series: 3050**

**Type: XX Configuration with Archetype Narrow Hardware and A2 Rollers**



## TABLE OF CONTENTS

ITEM NO.	DESCRIPTION	PAGE(S)
1	Frame Assembly	2
2	X-Panel Active Right	3-4
3	X-Panel Active Left	5-6

Description  
Table of Contents

File Name  
Series 3050 Assembly XX  
Narrow With A2 Rollers

REV  
**B**

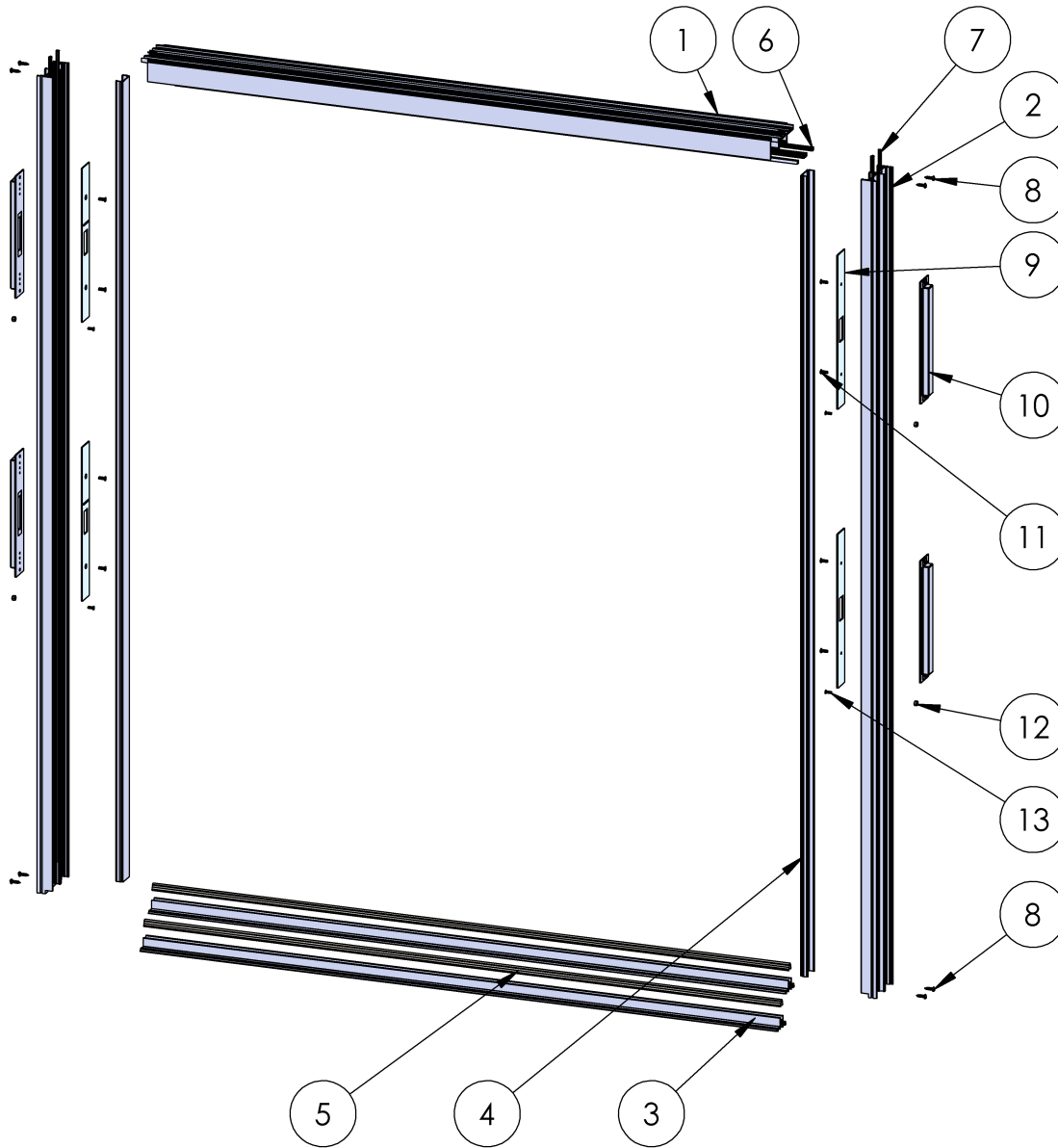
**PROPRIETARY AND CONFIDENTIAL**

THE INFORMATION CONTAINED IN THIS DRAWING IS THE SOLE PROPERTY OF FLEETWOOD WINDOWS & DOORS.  
ANY REPRODUCTION IN PART OR AS A WHOLE WITHOUT THE WRITTEN PERMISSION OF FLEETWOOD WINDOWS & DOORS IS PROHIBITED.

Released 7/28/2025

SHEET 1 OF 6

# ASSEMBLY / PARTS LIST (B.O.M.)



## EXTRUSIONS

ITEM NO.	PART NUMBER	DESCRIPTION	QTY.
1	3702	Multi-Slide Head (2-Track)	1
2	3712	Multi-Slide Jamb (2 track)	2
3	1092	1" Hidden Track	2
4	3710	Jamb Filler	2
5	FW1020	Stainless Steel Track	2

## HARDWARE

ITEM NO.	PART NUMBER	DESCRIPTION	QTY.
6	19118	Small Fin Seal Mohair	4
7	25757	Q-Lon Foam Seal	4
8	20347	#10 PHP Screw, 3/4", SS	8
9	24067	Strike Plate	4
10	24068	Backup Plate (With Dust Cover)	4
11	20278	#10-32 FHP-B-UC Screw, 1/2", SS	8
12	25498	#8-32 Nut With Nylon-Insert Hex Locknut, SS	4
13	25497	#8-32 FHC-UC Screw, 1/2", SS	4

Description  
Frame Assembly

File Name  
Series 3050 Assembly XX  
Narrow With A2 Rollers

REV  
**B**

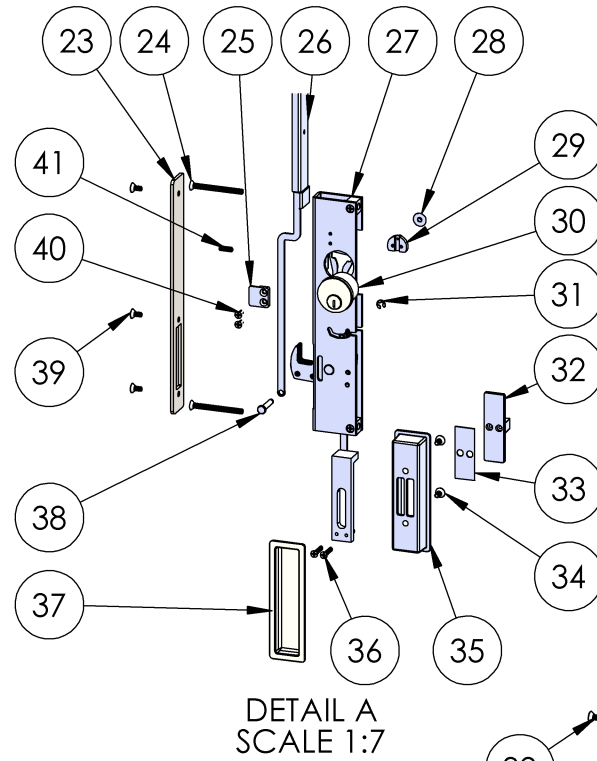
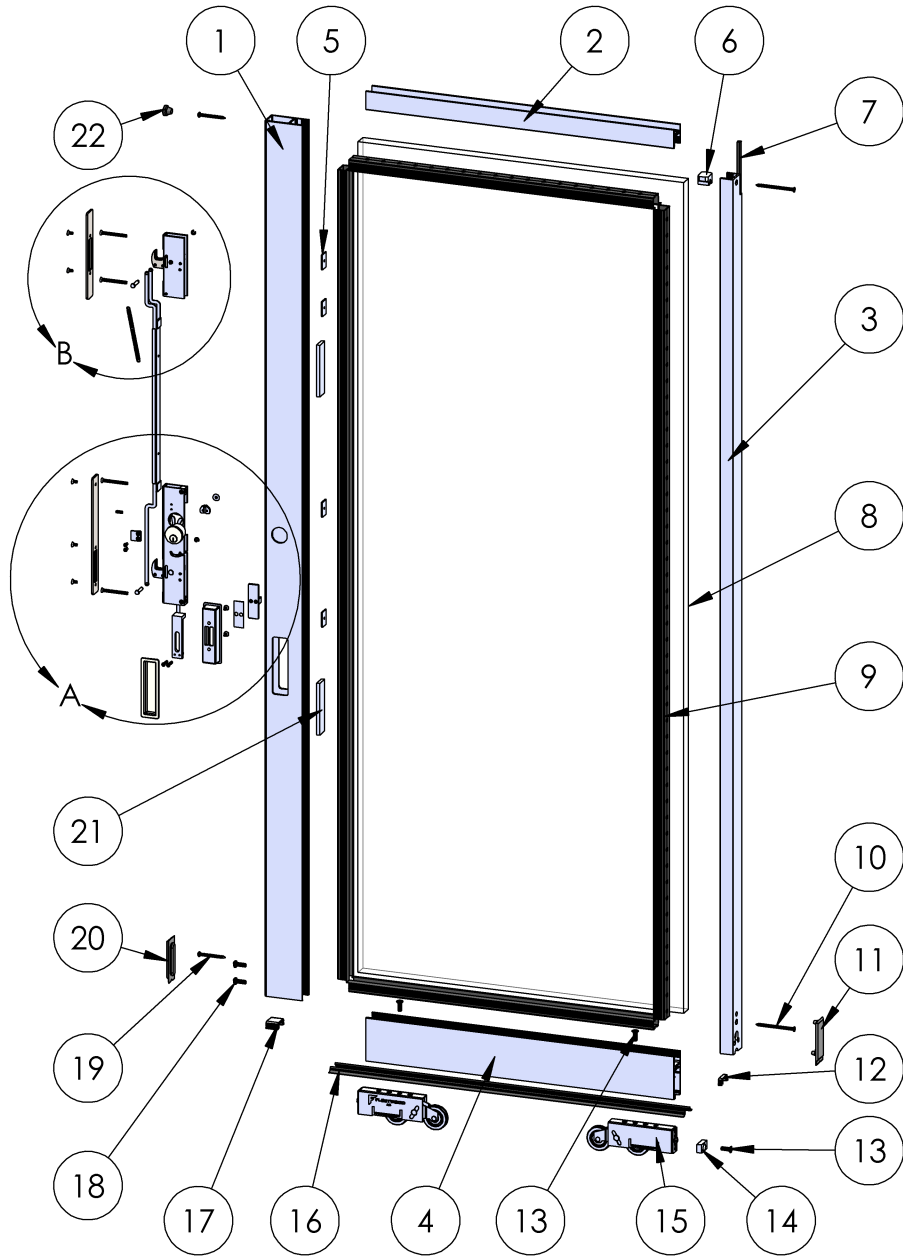
**PROPRIETARY AND CONFIDENTIAL**

THE INFORMATION CONTAINED IN THIS DRAWING IS THE SOLE PROPERTY OF FLEETWOOD WINDOWS & DOORS.  
ANY REPRODUCTION IN PART OR AS A WHOLE WITHOUT THE WRITTEN PERMISSION OF FLEETWOOD WINDOWS & DOORS IS PROHIBITED.

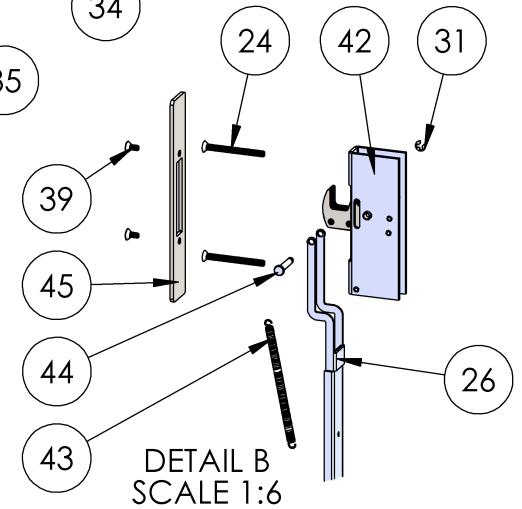
Released 7/28/2025

SHEET 2 OF 6

# ASSEMBLY / PARTS LIST (B.O.M.)



DETAIL A  
SCALE 1:7



DETAIL B  
SCALE 1:6

**PROPRIETARY AND CONFIDENTIAL**  
THE INFORMATION CONTAINED IN THIS DRAWING IS THE SOLE PROPERTY OF FLEETWOOD WINDOWS & DOORS.  
ANY REPRODUCTION IN PART OR AS A WHOLE WITHOUT THE WRITTEN PERMISSION OF FLEETWOOD WINDOWS & DOORS IS PROHIBITED.

Description X-Panel Active Right Assembly	
File Name Series 3050 Assembly XX Narrow With A2 Rollers	REV <b>B</b>
Released 7/28/2025	SHEET 3 OF 6

# ASSEMBLY / PARTS LIST (B.O.M.)

## EXTRUSIONS

ITEM NO.	PART NUMBER	DESCRIPTION	QTY.
1	3005	Narrow Lock Stile	1
2	3004	Top Rail	1
3	3737	1" Narrow Interlocker	1
4	3009	Bottom Rail	1

## HARDWARE

ITEM NO.	PART NUMBER	DESCRIPTION	QTY.
5	18671	Back Up Plate # 10-32 x 0.075" Thk.	4
6	27638	Narrow Interlocker Spacer	1
7	19122	Mohair (270187745BKWP)	1
8	-	Glass	1
9	22909	1" Glazing Vinyl (Shown)	1
10	26756, 27657	#10 FHP-A, 3", SS, (Clear, Black)	2
11	27448	Slim Interlocker Bumper	1
12	19142	Bottom Vent Clip (Small)	1
13	20305	#1/4-20 FHP - B, 3/4", SS	3
14	27594	Roller Interlocker Block	1
15	20514	A2 Roller Assembly	2
16	19064	Sill Wipe, Bottom Vinyl (BL-122)	2
17	19141	Bottom Vent Clip (Large)	1
18	20358	#1/4-20 PHP-B, 3/4", SS, Clear	2
19	20355	#10 PHP -A, 2", SS	2
20	27567	Narrow Leadstile Bumper, Non-Thermal	1
21	18620	Setting Block 4" x 1/4"x1"	2
22	20635	Small Round Panel Plug	1
23	25309	Archetype Narrow Latch Face Plate	1
24	25349	#10-32 FHP - B, 2.0", SS, Clear	4
25	26170	Archetype Narrow Secondary Latch Linkage Guide	1

## HARDWARE

ITEM NO.	PART NUMBER	DESCRIPTION	QTY.
26	26169	Linkage for Archetype Narrow Secondary Latch XO	1
27	25319	Archetype Narrow Latch XO	1
28	25681	Bushing-Key Cylinder	1
29	24780	Cam	1
30	25356, 24782, 24784, 24783	Archetype Keyed Cylinder [SS- (KA, KD), BL- (KA, KD)]	1
31	24129	E-Style Retaining Ring	2
32	25317, 25318	Archetype Narrow Flush Actuator (BL, SS)	1
33	26245	Slider Friction Pad	1
34	25325, 24076	#8-32 FHS Screw, 0.375 in. (Black, S.S.)	2
35	25314, 25315	Archetype Narrow Flush Int. Pocket (BL, SS)	1
36	25755	#6-32 FHP with Nyllok, 3/4" (Archetype Narrow actuator screw)	2
37	25311, 25312	Archetype Narrow Flush Ext. Pocket (BL, SS)	1
38	26172	Clevis Pin	1
39	24076	#8-32 FHS Screw, .375", SS	5
40	25890	#6-32 FHP-B Screw, .375 in.	2
41	25330	#8-32 x 1/2" Set Screw Narrow Arch. Cyl.	1
42	26166	Archetype Narrow Secondary Latch	1
43	26171	Spring Compensation	1
44	24128	Archetype, Grooved Clevis Pin	1
45	26225	Archetype Narrow Secondary Latch Faceplate	1

Description  
X-Panel Active Right B.O.M.

File Name  
Series 3050 Assembly XX  
Narrow With A2 Rollers

REV  
**B**

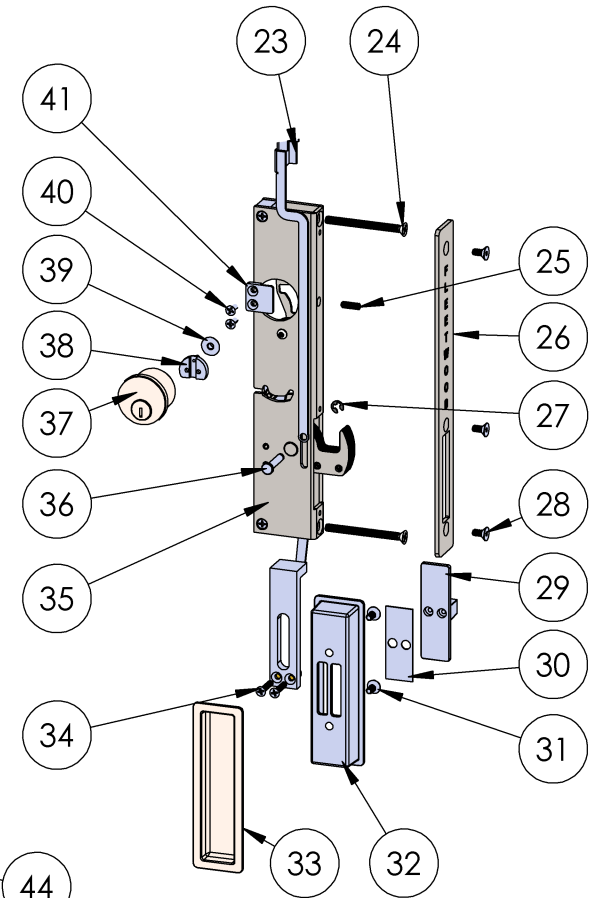
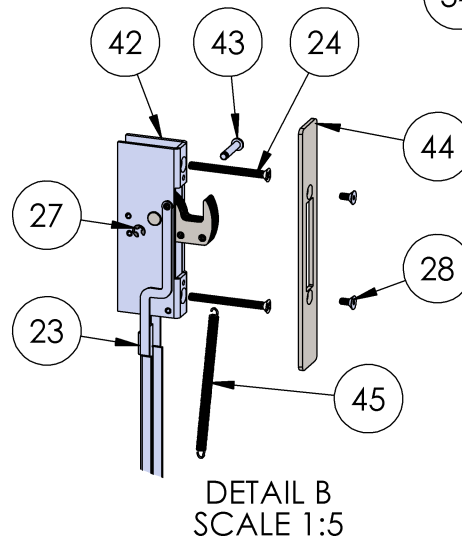
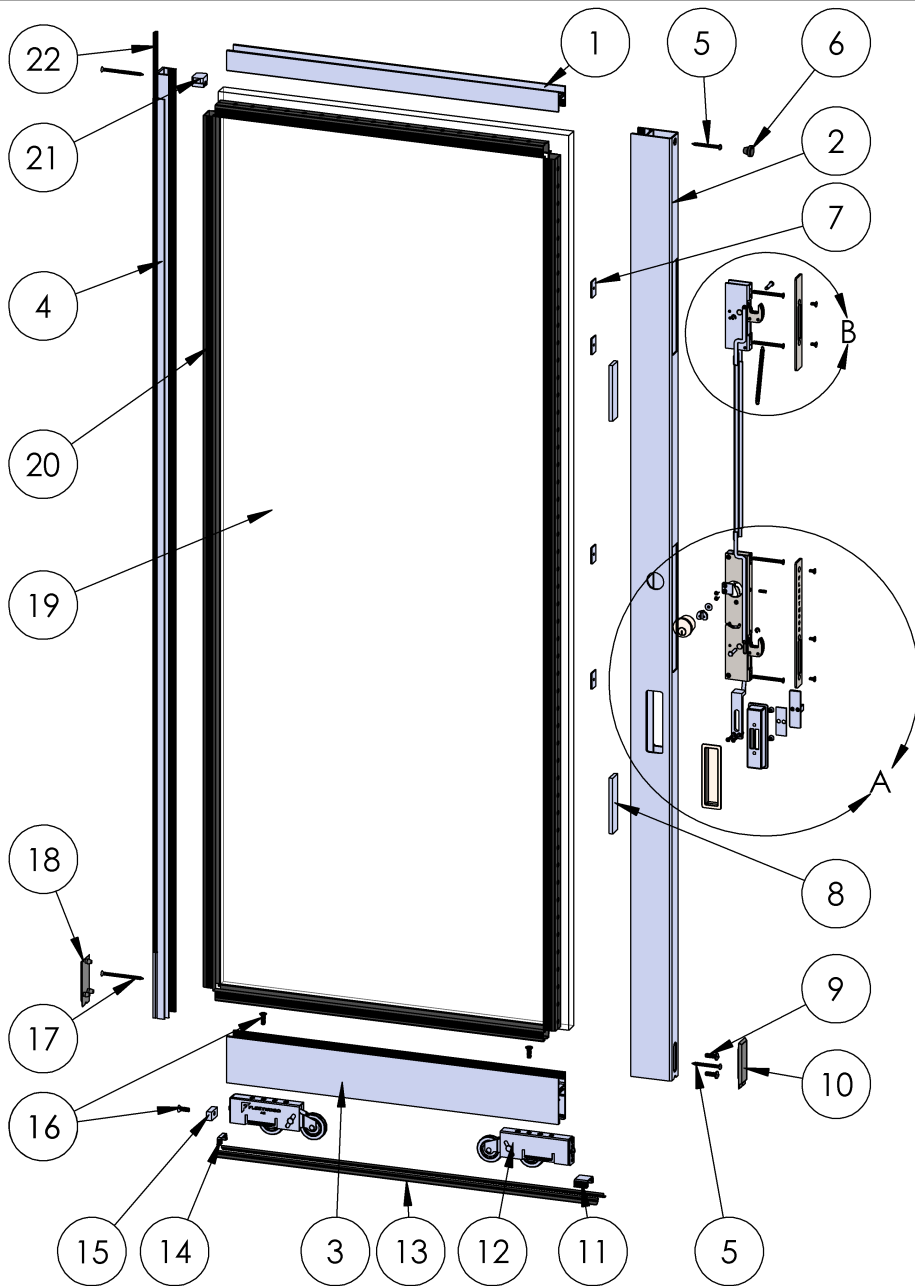
Released 7/28/2025

SHEET 4 OF 6

**PROPRIETARY AND CONFIDENTIAL**

THE INFORMATION CONTAINED IN THIS DRAWING IS THE SOLE PROPERTY OF FLEETWOOD WINDOWS & DOORS.  
ANY REPRODUCTION IN PART OR AS A WHOLE WITHOUT THE WRITTEN PERMISSION OF FLEETWOOD WINDOWS & DOORS IS PROHIBITED.

# ASSEMBLY / PARTS LIST (B.O.M.)



PROPRIETARY AND CONFIDENTIAL  
THE INFORMATION CONTAINED IN THIS DRAWING IS THE SOLE PROPERTY OF FLEETWOOD WINDOWS & DOORS.  
ANY REPRODUCTION IN PART OR AS A WHOLE WITHOUT THE WRITTEN PERMISSION OF FLEETWOOD WINDOWS & DOORS IS PROHIBITED.

Description X-Panel Active Left Assembly	
File Name Series 3050 Assembly XX Narrow With A2 Rollers	REV <b>B</b>
Released 7/28/2025	SHEET 5 OF 6

# ASSEMBLY / PARTS LIST (B.O.M.)

## EXTRUSIONS

ITEM NO.	PART NUMBER	DESCRIPTION	QTY.
1	3004	Top Rail	1
2	3005	Narrow Lock Stile	1
3	3009	Bottom Rail	1
4	3737	1" Narrow Interlocker	1

## HARDWARE

ITEM NO.	PART NUMBER	DESCRIPTION	QTY.
5	20355	#10 PHP -A, 2", SS	2
6	20635	Small Round Door Bumper	1
7	18671	Back Up Plate # 10-32 x 0.075" Thk.	4
8	18620	Setting Block 4" x 1/4"x1"	2
9	20358	#1/4-20 PHP-B, 3/4", SS, Clear	2
10	27567	Narrow Leadstile Bumper, Non-Thermal	1
11	19141	Bottom Vent Clip (Large)	1
12	20514	A2 Roller Assembly	2
13	19064	Sill Wipe, Bottom Vinyl (BL-122)	2
14	19142	Bottom Vent Clip (Small)	1
15	27594	Roller Interlocker Block	1
16	20305	#1/4-20 FHP - B, 3/4", SS	3
17	26756, 27657	#10 FHP-A, 3", SS, (Clear, Black)	2
18	27448	Slim Interlocker Bumper	1
19	-	Glass	1
20	22909	1" Glazing Vinyl (Shown)	1
21	27638	Narrow Interlocker Spacer	1
22	19122	Mohair (270187745BKWP)	1
23	26168	Linkage for Archetype Narrow Secondary Latch OX	1
24	25928	#10-32 FHP Screw, 2.188"	4
25	25330	#8-32 x 1/2" Set Screw Narrow Arch. Cyl.	1
26	25309	Archetype Narrow Latch Face Plate	1

## HARDWARE

ITEM NO.	PART NUMBER	DESCRIPTION	QTY.
27	24129	E-Style Retaining Ring	2
28	24076	#8-32 FHS Screw, .375", SS	5
29	25317,25318	Archetype Narrow Flush Actuator (BL, SS)	1
30	26245	Slider Friction Pad	1
31	25325, 24076	#8-32 FHS Screw, 0.375 in. (Black, S.S.)	2
32	25314, 25315	Archetype Narrow Flush Int. Pocket (BL, SS)	1
33	25311, 25312	Archetype Narrow Flush Ext. Pocket (BL, SS)	1
34	25755	#6-32 FHP with Nylok, 3/4" (Archetype Narrow actuator screw)	2
35	25320	Archetype Narrow Latch OX	1
36	26172	Clevis Pin	1
37	25356, 24782, 24784, 24783	Archetype Keyed Cylinder [SS- (KA, KD), BL- (KA, KD)]	1
38	24780	Cam	1
39	25681	Bushing-Key Cylinder	1
40	25890	#6-32 FHP-B Screw, .375 in.	2
41	26170	Archetype Narrow Secondary Latch Linkage Guide	1
42	26166	Archetype Narrow Secondary Latch	1
43	24128	Archetype, Grooved Clevis Pin	1
44	26225	Archetype Narrow Secondary Latch Faceplate	1
45	26171	Spring Compensation	1

Description  
X-Panel Active Left B.O.M.

File Name  
Series 3050 Assembly XX  
Narrow With A2 Rollers

REV  
**B**

**PROPRIETARY AND CONFIDENTIAL**

THE INFORMATION CONTAINED IN THIS DRAWING IS THE SOLE PROPERTY OF FLEETWOOD WINDOWS & DOORS.  
ANY REPRODUCTION IN PART OR AS A WHOLE WITHOUT THE WRITTEN PERMISSION OF FLEETWOOD WINDOWS & DOORS IS PROHIBITED.

Released 7/28/2025

SHEET 6 OF 6