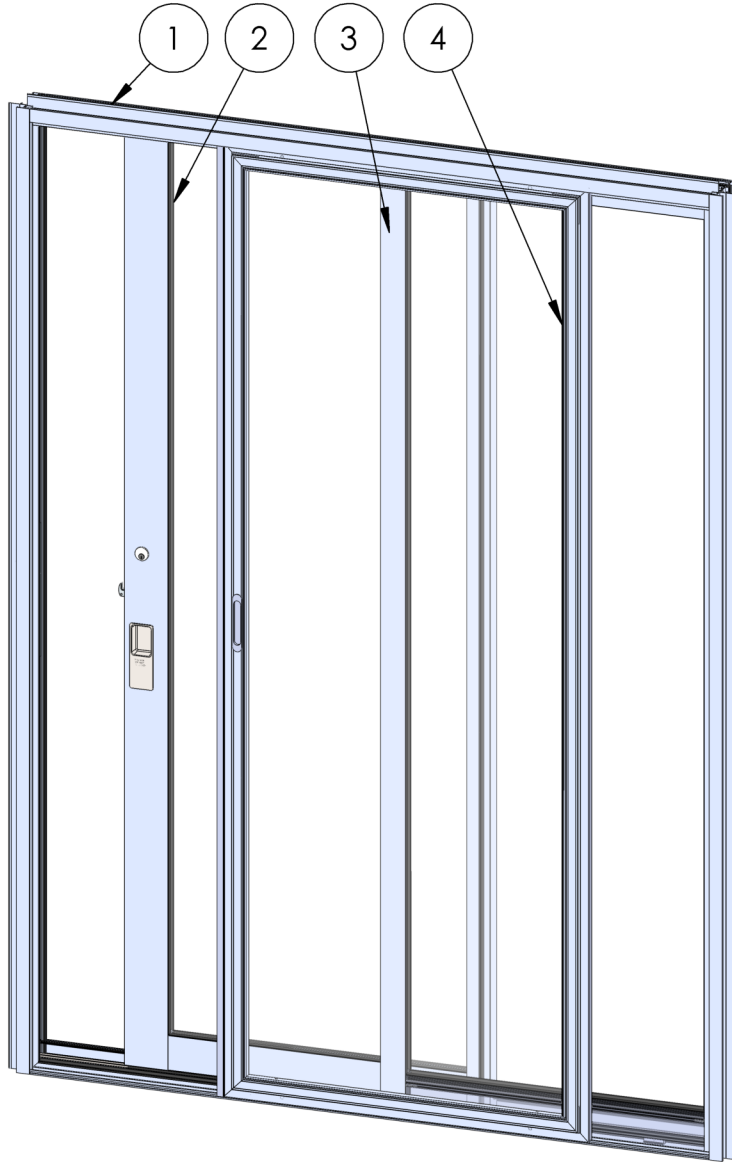


ASSEMBLY / PARTS LIST (B.O.M.)

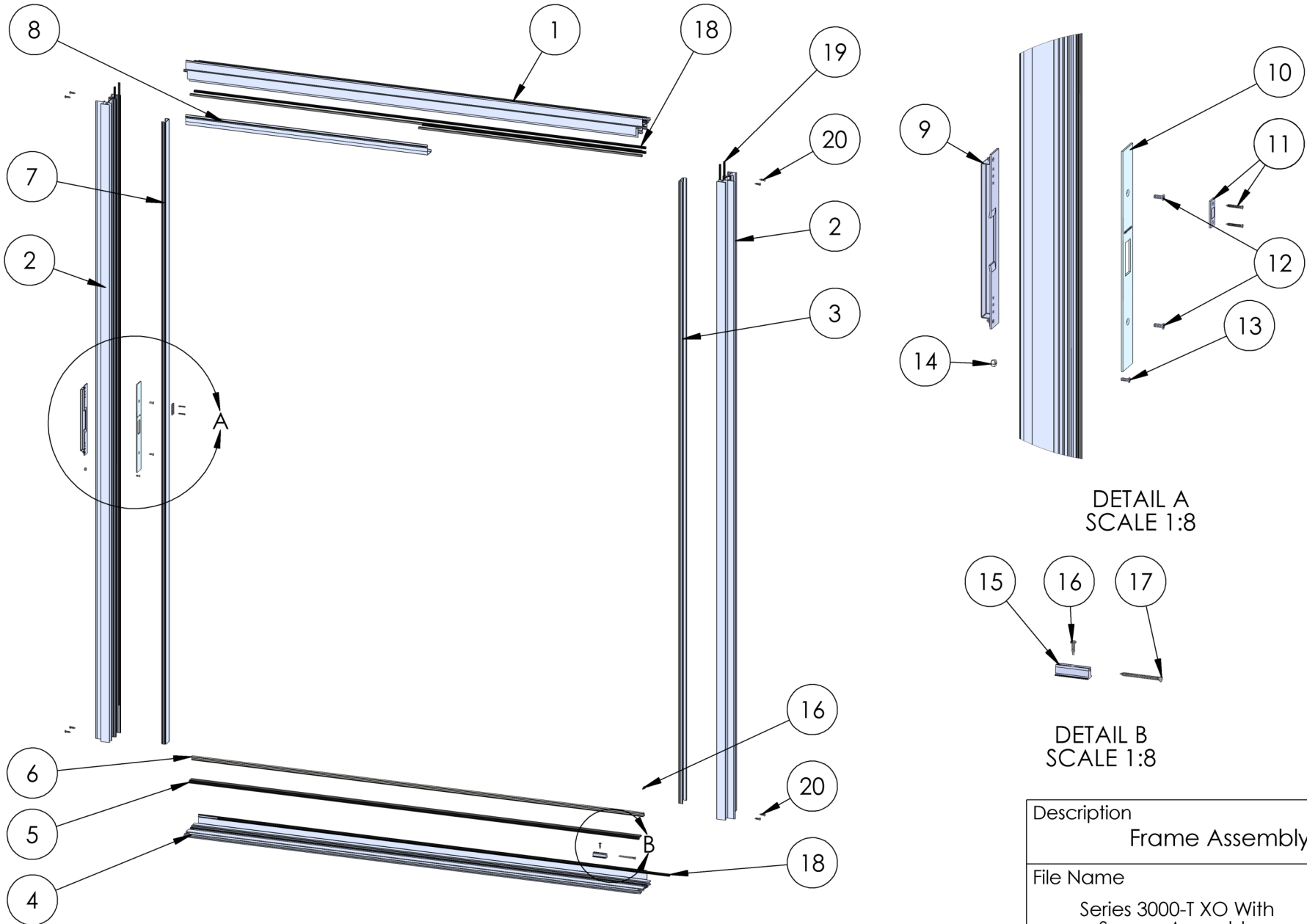
SEIRES: 3000-T
CONFIGURATION: XO



ITEM NO.	DESCRIPTION	PAGE #
1	Frame Assembly	2-3
2	X-Panel Assembly	4-5
3	O Panel Assembly	6
4	Screen Assembly	7

Description Table of Contents	
File Name Series 3000-T XO With Screen Assembly	REV D
Released 4/3/2025	SHEET 1 OF 7

ASSEMBLY / PARTS LIST (B.O.M.)



PROPRIETARY AND CONFIDENTIAL
THE INFORMATION CONTAINED IN THIS DRAWING IS THE SOLE PROPERTY OF FLEETWOOD WINDOWS & DOORS.
ANY REPRODUCTION IN PART OR AS A WHOLE WITHOUT THE WRITTEN PERMISSION OF FLEETWOOD WINDOWS & DOORS IS PROHIBITED.

Description Frame Assembly	
File Name Series 3000-T XO With Screen Assembly	REV D
Released 4/3/2025	SHEET 2 OF 7

ASSEMBLY / PARTS LIST (B.O.M.)

EXTRUSIONS

ITEM NO.	PART NUMBER	DESCRIPTION	QTY.
1	3095	Nail-On Head	1
2	3096	Nail-on Jamb Thermal	2
3	3102	Interior Jamb Filler (X-Panel Track)	1
4	3062	Sill	1
5	BL801	PVC Sill Filler	1
6	FW1020	Stainless Steel Track	1
7	3016	Exterior Jamb Filler (O-Panel Track)	1
8	3011	Head Filler/Closer	1

HARDWARE

ITEM NO.	PART NUMBER	DESCRIPTION	QTY.
9	24069	Backup Plate (With Dust Cover)	1
10	24067	Strike Plate	1
11	26149	Hinge Screen Magnet (1 Per Kit)	1
12	20278	#10-32 FHP-B-UC, 9/16", SS clear	2
13	25497	#8-32 FHP,UC, 1/2",SS	1
14	25498	#8-32 Locknut with Nylon-Insert	1
15	20502	Sill Block (M607, 20483)	1
16	20312	#8 PHP-TEK, 0.75 in., SS, Clear	2
17	20404	#10 OH - A, 2.5, Zinc,Gold	1
18	19118	Small Fin Seal Mohair (23027045BKGB)	5
19	25757	Q-Lon Foam Seal (Q200T270)	4
20	20347	#10 PHP - A, 0.75" SS, Clear	8

Description
Frame Assembly B.O.M.

File Name
Series 3000-T XO With
Screen Assembly

REV
D

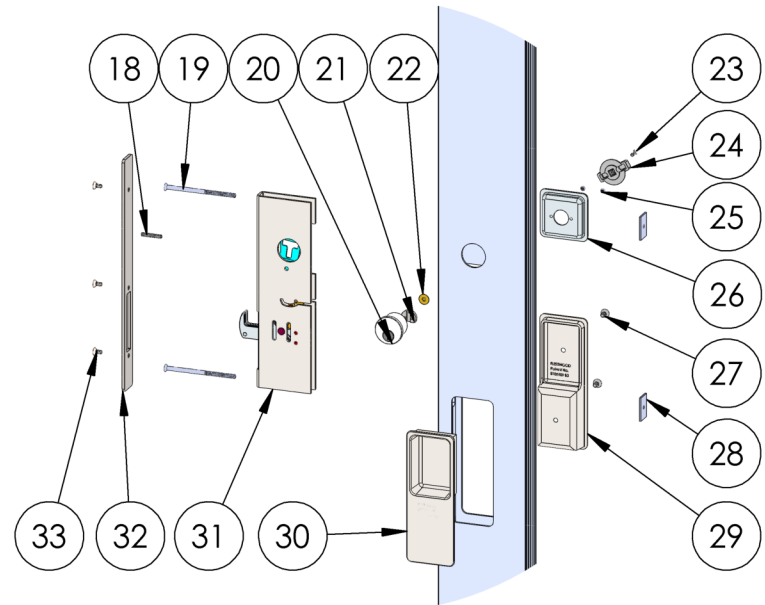
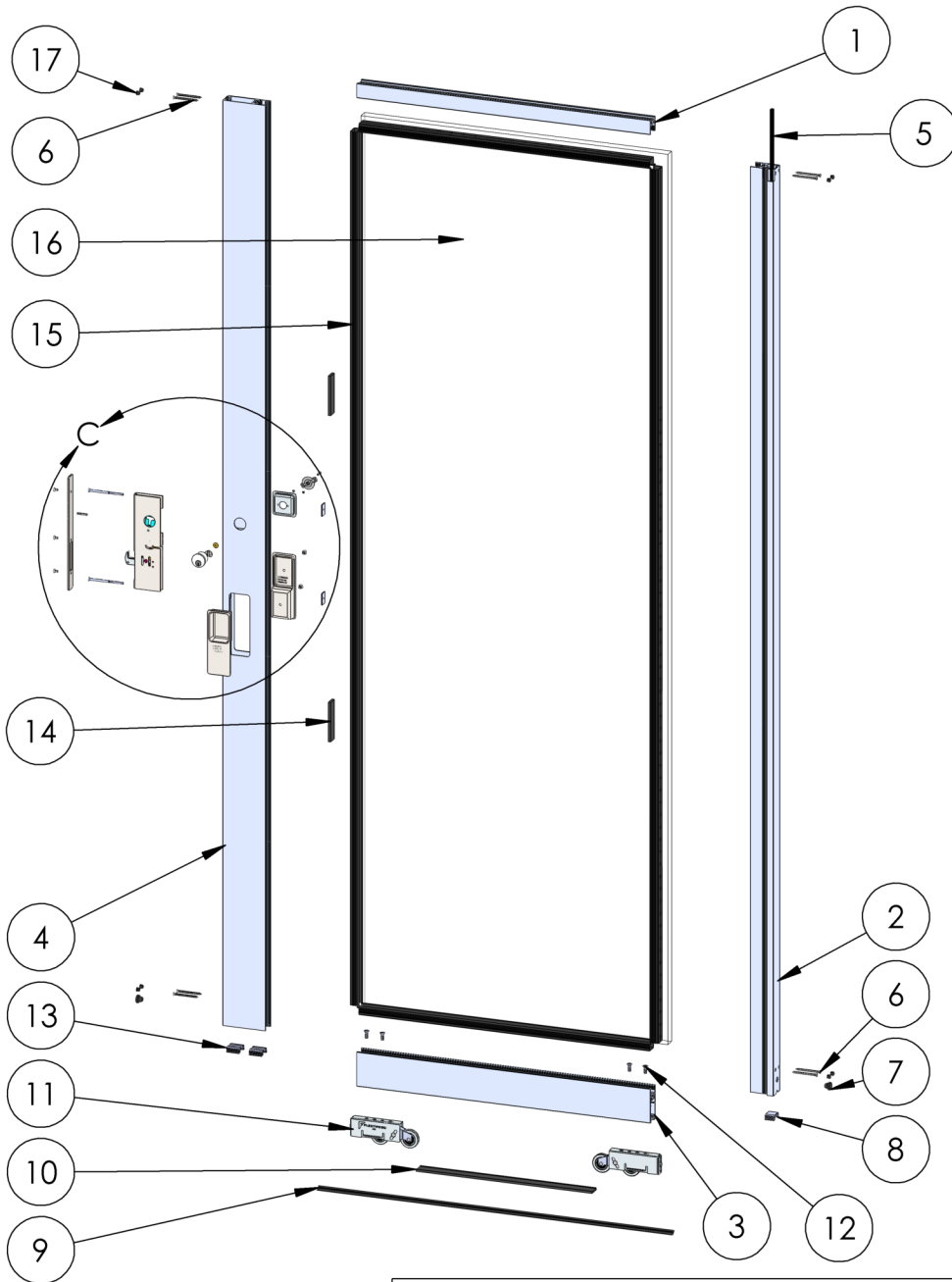
PROPRIETARY AND CONFIDENTIAL

THE INFORMATION CONTAINED IN THIS DRAWING IS THE SOLE PROPERTY OF FLEETWOOD WINDOWS & DOORS.
ANY REPRODUCTION IN PART OR AS A WHOLE WITHOUT THE WRITTEN PERMISSION OF FLEETWOOD WINDOWS & DOORS IS PROHIBITED.

Released 4/3/2025

SHEET 3 OF 7

ASSEMBLY / PARTS LIST (B.O.M.)



DETAIL C
SCALE 1:9

PROPRIETARY AND CONFIDENTIAL
THE INFORMATION CONTAINED IN THIS DRAWING IS THE SOLE PROPERTY OF FLEETWOOD WINDOWS & DOORS.
ANY REPRODUCTION IN PART OR AS A WHOLE WITHOUT THE WRITTEN PERMISSION OF FLEETWOOD WINDOWS & DOORS IS PROHIBITED.

Description X Panel Assembly	
File Name Series 3000-T XO With Screen Assembly	REV D
Released 4/3/2025	SHEET 4 OF 7

ASSEMBLY / PARTS LIST (B.O.M.)

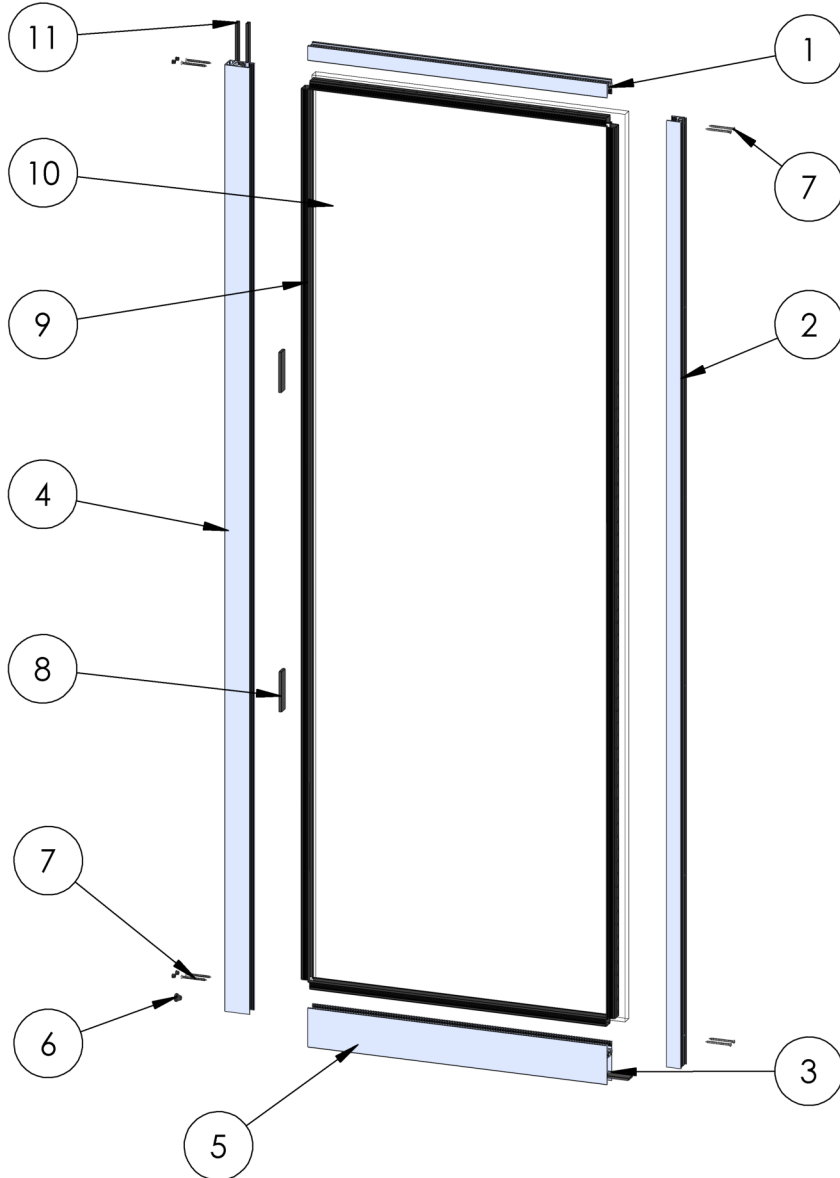
EXTRUSIONS			
ITEM NO.	PART NUMBER	DESCRIPTION	QTY.
1	3075	Thermal Top Rail	1
2	3727	Thermal Interlocker Sliding	1
3	3077	Sliding Bottom Rail DG	1
4	3793	Slip Strut Lock Stile (Archetype)	1
HARDWARE			
ITEM NO.	PART NUMBER	DESCRIPTION	QTY.
5	19117	Large Fin Seal Mohair (29027045BKGB)	1
6	27635	#8 FHP-A, 2.5", SS, Clear	8
7	20635	Small Round Panel Plug	2
8	19141	15/16" Bottom Vent Clip 3015 Weather Strip Insert (3779)	1
9	19064	Sill, Wipe, Bottom Vinyl, BL-122	1
10	BL798	PVC Rail Spreader	1
11	20514	A2 Roller Assembly	2
12	20305	1/4-20 FHP - B, 3/4", SS Clear	4
13	24770	Bottom Vent Clip Weatherstrip Insert	2
14	18620	Setting Block 4" x 1/4"x1"	2
15	22909	1 inch Glazing Vinyl (Shown)	1
16	-	Glass	1
17	25907	Thermal Plug	8
18	24935	#8-32 x 1 Set Screw (Reg. Arch, Cyl)	1
19	25560	#10-32 FHP-B, 3.375 in (Actual size 3.312 in) , SS, Clear	2
20	18679, 18682, 18683, 18686	Key Cylinder [KA (Black, SS), KD (Black, SS)]	1
21	24780	Cam - (for the Key Cylinder)	1

HARDWARE			
ITEM NO.	PART NUMBER	DESCRIPTION	QTY.
22	24781	Brass Bushing - Archetype	1
23	24072, 24094	#6-32, Hex Socket Head Cap, Self Locking, 1/2", SS (Clear, Black)	1
24	24079, 24766	Archetype Actuator (Black, SS)	1
25	24074	#4-40 FHP, UC, 1/8", SS, Clear	2
26	24767	Archetype Actuator Pocket, XO, SS	1
27	24087, 24093	#10-32 FHS Screw, 0.375 in (SS, Black)	2
28	18671	Back Up Plate # 10-32 x 0.075 Thk.	2
29	24089, 24091	Archetype Handle, Inside, with Gasket (SS, Black)	1
30	24090, 24092	Archetype Handle, Outside, with Gasket (SS, Black)	1
31	24070, 24077	Archetype Latch (OX, XO)	1
32	26685	Archetype Latch Faceplate, (Thermal)	1
33	24076	#8-32 FHS, 3/8" Long, Hex Countersunk Screw (Stainless Steel)	3

PROPRIETARY AND CONFIDENTIAL
THE INFORMATION CONTAINED IN THIS DRAWING IS THE SOLE PROPERTY OF FLEETWOOD WINDOWS & DOORS.
ANY REPRODUCTION IN PART OR AS A WHOLE WITHOUT THE WRITTEN PERMISSION OF FLEETWOOD WINDOWS & DOORS IS PROHIBITED.

Description X-Panel Assembly B.O.M.	
File Name Series 3000-T XO With Screen Assembly	REV D
Released 4/3/2025	SHEET 5 OF 7

ASSEMBLY / PARTS LIST (B.O.M.)



EXTRUSIONS

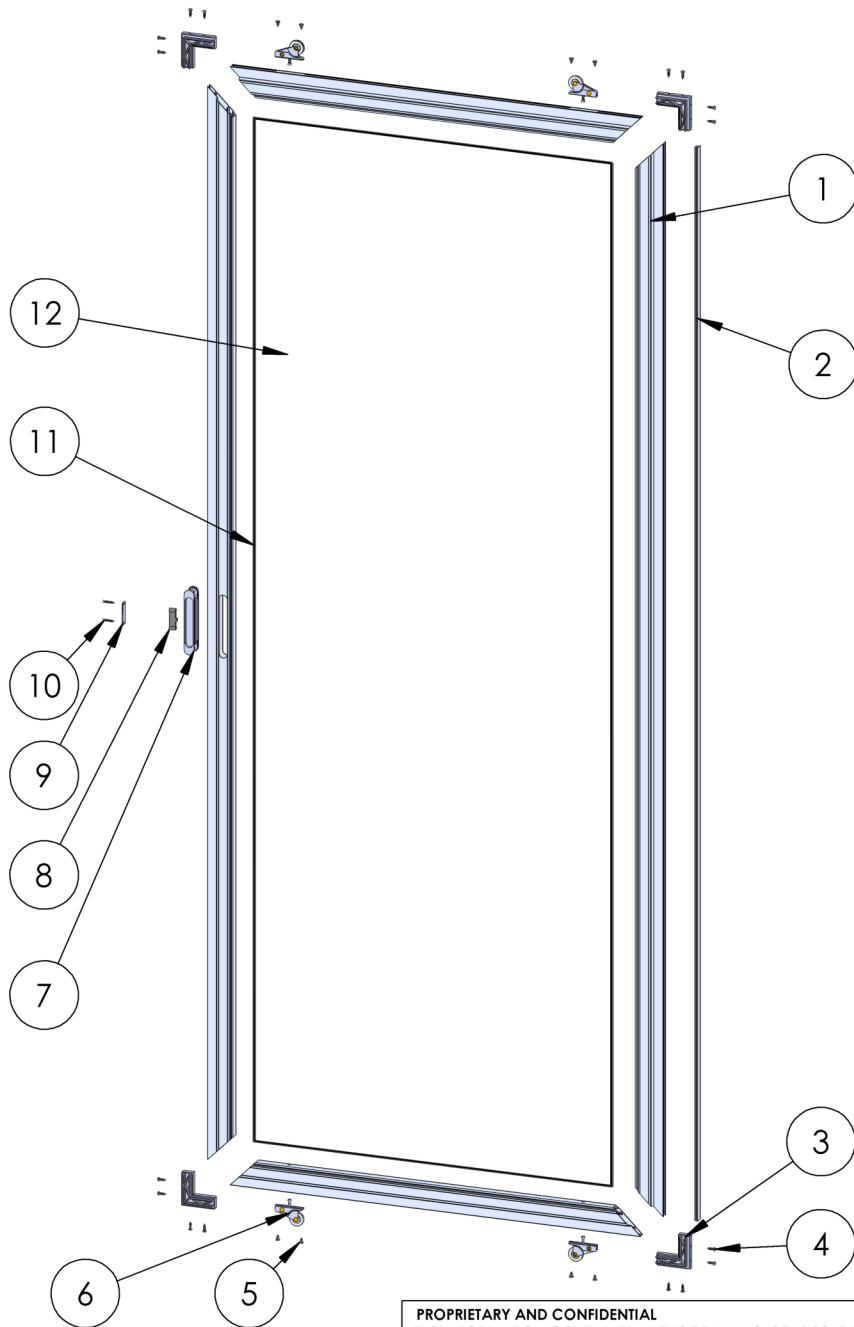
ITEM NO.	PART NUMBER	DESCRIPTION	QTY.
1	3075	Thermal Top Rail	1
2	3073	Fixed Stile DG	1
3	3076	Fixed Bottom Rail	1
4	3728	Thermal Interlocker Fixed	1

HARDWARE

ITEM NO.	PART NUMBER	DESCRIPTION	QTY.
5	BL798	PVC Rail Spreader	1
6	20635	Small Round Panel Plug	1
7	27635	#8 FHP-A, 2.5", SS, Clear	8
8	18620	Setting Block 4" x 1/4"x1"	2
9	22909	1 inch Glazing Vinyl (Shown)	1
10	-	Glass	1
11	20516	X-Large Fin Seal Weatherstrip (50027045BKGB)	2
12	25907	Thermal Plug	4

Description O-Panel Assembly	
File Name Series 3000-T XO With Screen Assembly	REV D
Released 4/3/2025	SHEET 6 OF 7

ASSEMBLY / PARTS LIST (B.O.M.)



EXTRUSIONS

ITEM NO.	PART NUMBER	DESCRIPTION	QTY.
1	145	Screen Extrusion	4

HARDWARE

ITEM NO.	PART NUMBER	DESCRIPTION	QTY.
2	20531	Bug Wipe Screen	1
3	20489	Screen Corner Door B1240	4
4	20955	#8 PHP - A, 5/8, SS, Clear	16
5	20225	#6 PHP - TEK, 3/8", SS, Clear	8
6	22905	Screen Roller	4
7	27381	Screen Handle	1
8	27383	Magnetic Catch Spacer	1
9	27386	Magnetic Catch Strike	1
10	27388	#6 Screw with #4 Head, 1"	2
11	19130	Screen Rubber Spline .160	1
12	-	Screen Mesh	1

Notes:

1. Include 27382 Magnetic Screen Strike Kit

Description
Screen Panel Assembly

File Name
Series 3000-T XO With
Screen Assembly

REV
D

Released 4/3/2025

SHEET 7 OF 7