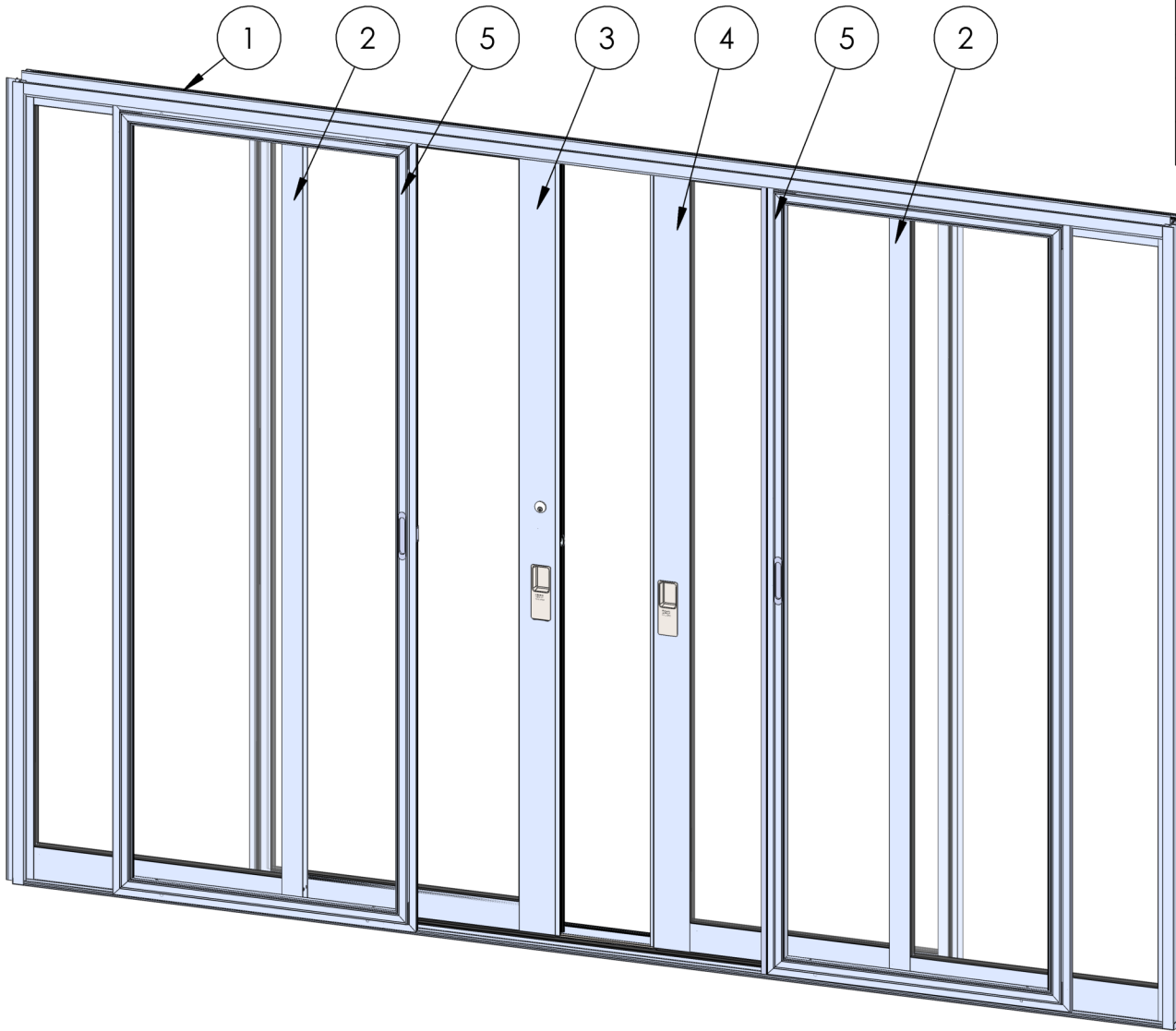


ASSEMBLY / PARTS LIST (B.O.M.)

SERIES: 3000-T
CONFIGURATION: OXIXO



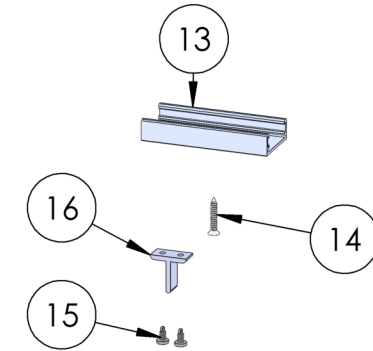
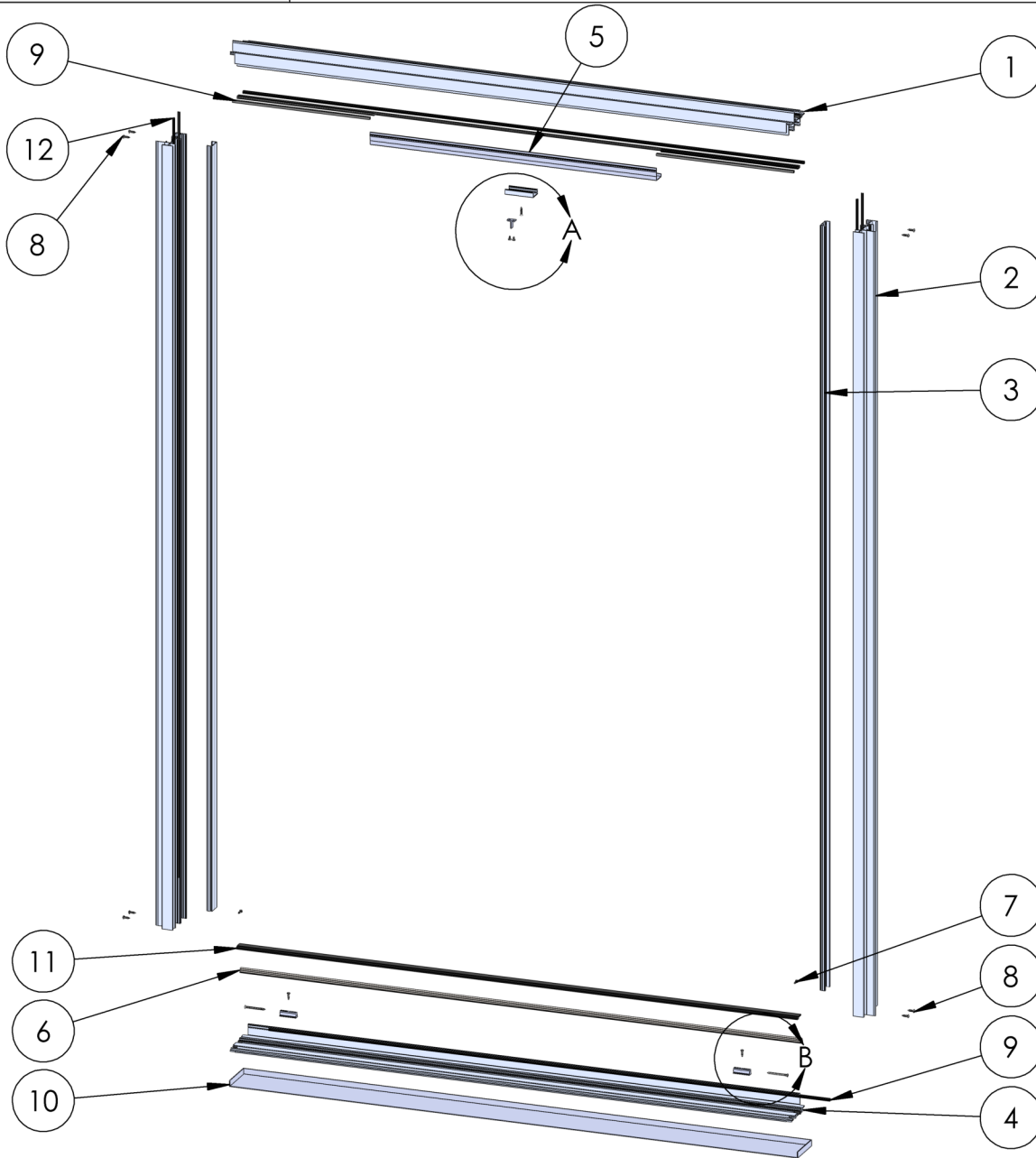
ITEM NO.	DESCRIPTION	PAGE #
1	Frame Assembly	2-3
2	O-Panel Assembly	4
3	XI-Panel Assembly	5-6
4	IX-Panel Assembly	7-8
5	Screen Assembly	9

NOTES:

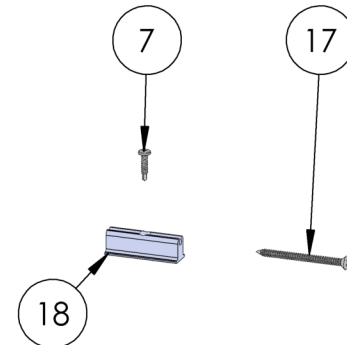
1. Two O-Panels and two Screen Panels shown in configuration.

Description Table of Contents	
File Name Series 3000-T OXIXO With Screen Assembly	REV C
Released 4/3/2025	SHEET 1 OF 9

ASSEMBLY / PARTS LIST (B.O.M.)



DETAIL A
SCALE 1:5



DETAIL B
SCALE 1:5

NOTES:

1. Frame Assembly scaled down to show detail.

Description	
Frame Assembly	
File Name	REV
Series 3000-T OXIXO With Screen Assembly	C
Released	SHEET 2 OF 9
4/3/2025	

ASSEMBLY / PARTS LIST (B.O.M.)

EXTRUSIONS

ITEM NO.	PART NUMBER	DESCRIPTION	QTY.
1	3095	Nail-On Head	1
2	3096	Nail-on Jamb Thermal	2
3	3102	Interior Jamb Filler (X-Panel Track)	2
4	3062	Thermal Sill	1
5	3011	Head Filler/Closer	1
6	FW1020	Stainless steel Track	1

HARDWARE

ITEM NO.	PART NUMBER	DESCRIPTION	QTY.
7	20312	#8 PHP-TEK, 0.75 in., SS, Clear	4
8	20347	#10 PHP - A, 0.75" SS, Clear	8
9	19118	Large Fin Seal (29027045bkqb)(7578)	7
10	-	Sillpan	1
11	BL801	PVC Sill Filler	1
12	25757	Q-Lon Foam Seal (Q200T270)	4
13	24098	Head Anti Lift	1
14	20247	#8, FHP-A Screw, 1 in, SS, Clear	1
15	20225	#6 PHP - TEK, 3/8", SS, Clear	2
16	25565	T-Clip Screen Stop	1
17	20404	#10 OH - A, 2.5, Zinc, Gold	2
18	20502	Sill Block (M607, 20483)	2

Description
Frame Assembly B.O.M.

File Name
Series 3000-T OXIXO With
Screen Assembly

REV
C

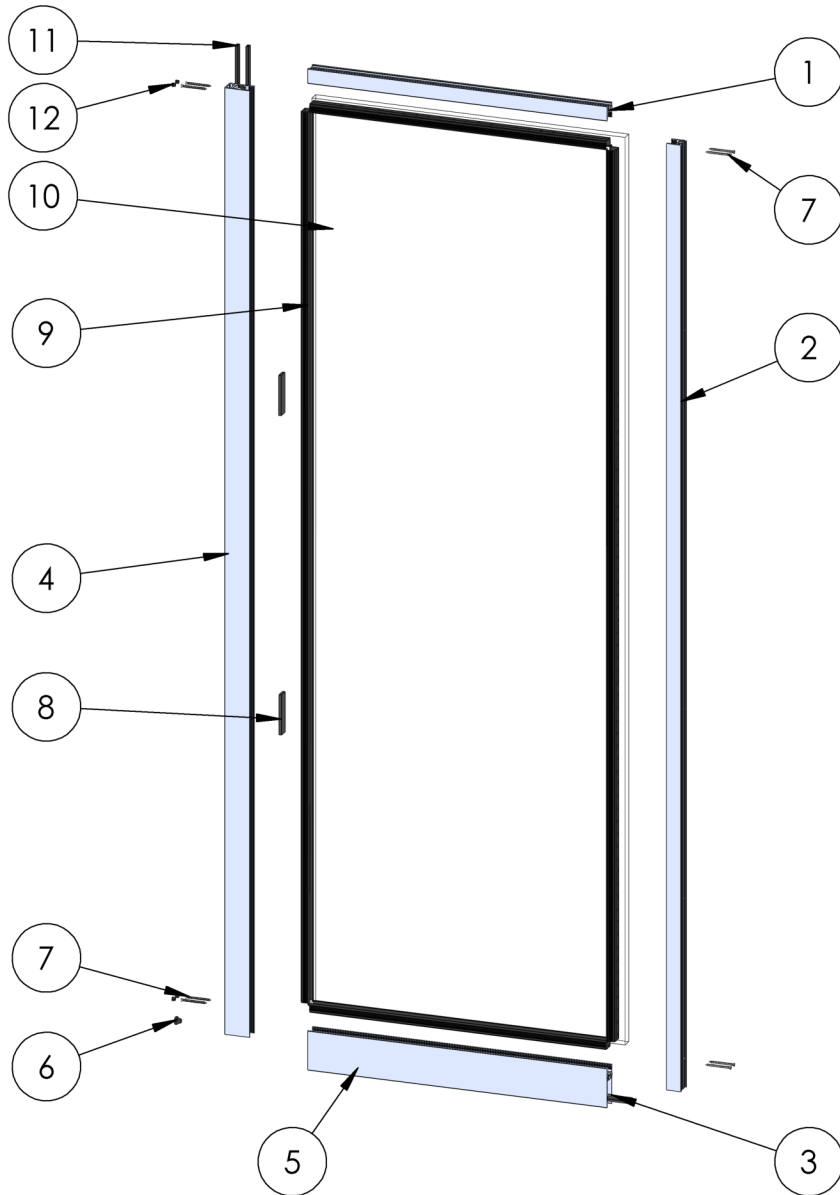
PROPRIETARY AND CONFIDENTIAL

THE INFORMATION CONTAINED IN THIS DRAWING IS THE SOLE PROPERTY OF FLEETWOOD WINDOWS & DOORS.
ANY REPRODUCTION IN PART OR AS A WHOLE WITHOUT THE WRITTEN PERMISSION OF FLEETWOOD WINDOWS & DOORS IS PROHIBITED.

Released 4/3/2025

SHEET 3 OF 9

ASSEMBLY / PARTS LIST (B.O.M.)



EXTRUSIONS

ITEM NO.	PART NUMBER	DESCRIPTION	QTY.
1	3075	Thermal Top Rail	1
2	3073	Fixed Stile DG	1
3	3076	Fixed Bottom Rail	1
4	3728	Thermal Interlocker Fixed	1

HARDWARE

ITEM NO.	PART NUMBER	DESCRIPTION	QTY.
5	BL798	PVC Rail Spreader	1
6	20635	Small Round Panel Plug	1
7	27635	#8 FHP-A, 2.5", SS, Clear	8
8	18620	Setting Block 4" x 1/4"x1"	2
9	22909	1 inch Glazing Vinyl (Shown)	1
10	-	Glass	1
11	20516	X-Large Fin Seal Weatherstrip (50027045BKGB)	2
12	25907	Thermal Plug	4

Description
O-Panel Assembly

File Name
Series 3000-T OXIXO With
Screen Assembly

REV
C

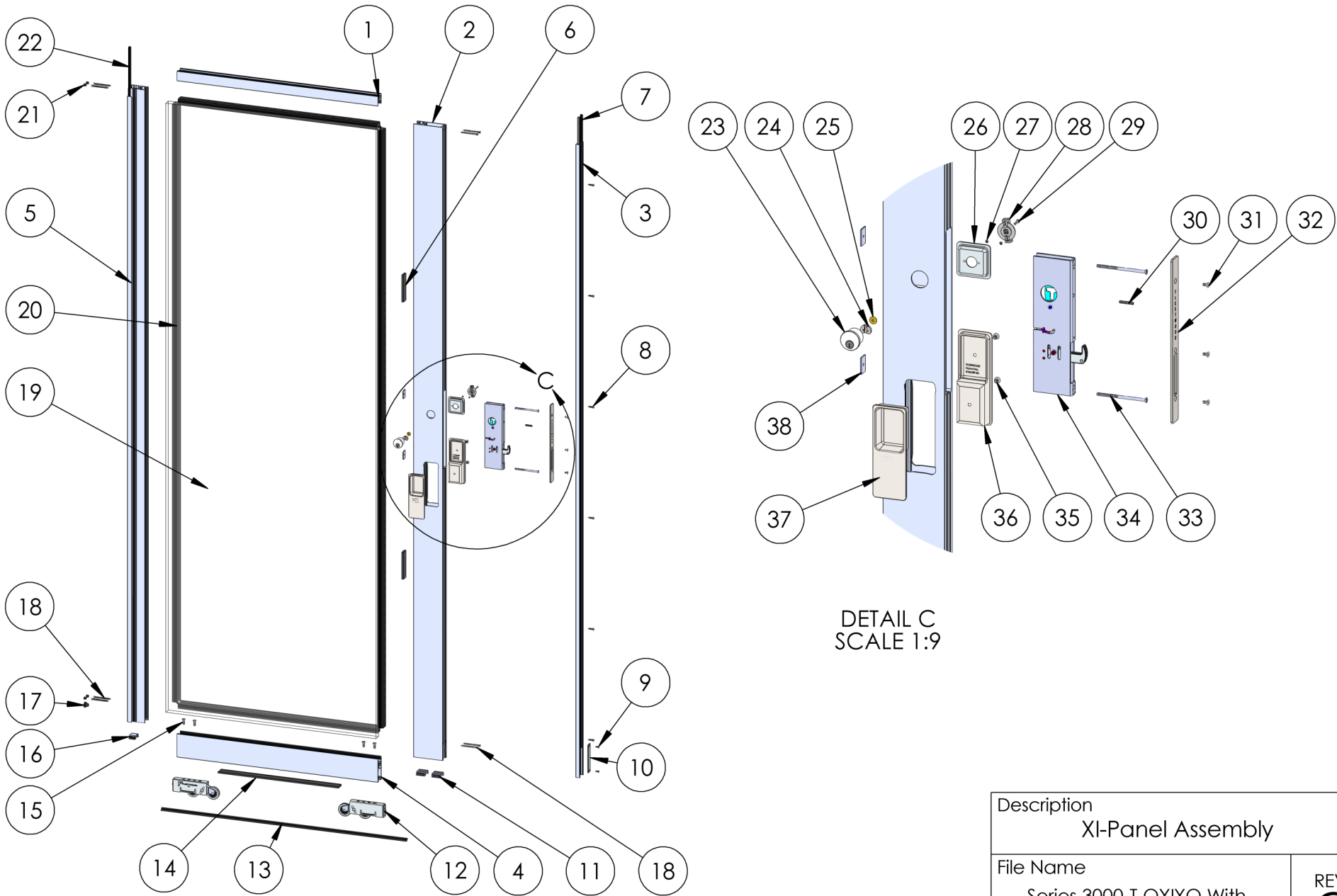
PROPRIETARY AND CONFIDENTIAL

THE INFORMATION CONTAINED IN THIS DRAWING IS THE SOLE PROPERTY OF FLEETWOOD WINDOWS & DOORS.
ANY REPRODUCTION IN PART OR AS A WHOLE WITHOUT THE WRITTEN PERMISSION OF FLEETWOOD WINDOWS & DOORS IS PROHIBITED.

Released 4/3/2025

SHEET 4 OF 9

ASSEMBLY / PARTS LIST (B.O.M.)



DETAIL C
SCALE 1:9

PROPRIETARY AND CONFIDENTIAL
THE INFORMATION CONTAINED IN THIS DRAWING IS THE SOLE PROPERTY OF FLEETWOOD WINDOWS & DOORS.
ANY REPRODUCTION IN PART OR AS A WHOLE WITHOUT THE WRITTEN PERMISSION OF FLEETWOOD WINDOWS & DOORS IS PROHIBITED.

Description XI-Panel Assembly	
File Name Series 3000-T OXIXO With Screen Assembly	REV C
Released 4/3/2025	SHEET 5 OF 9

ASSEMBLY / PARTS LIST (B.O.M.)

EXTRUSIONS

ITEM NO.	PART NUMBER	DESCRIPTION	QTY.
1	3075	Thermal Top Rail	1
2	3776	Thermal Lock Stile (Archetype)	1
3	3040	Female Yoke	1
4	3077	Sliding Bottom Rail DG	1
5	3727	Thermal Interlocker Sliding	1

HARDWARE

ITEM NO.	PART NUMBER	DESCRIPTION	QTY.
6	18620	Setting Block 4" x 1/4"x1"	2
7	19118	Small Fin Seal Mohair (23027045BKGB)	2
8	20314	#8 PHP-A Screw, .75 in, SS, Clear	6
9	20887	#6 FHP-A-UC Screw, 0.5 in.	2
10	25035	Meeting Stile Bumper Cover Plate	1
11	24770	Bottom Vent Clip Weatherstrip Insert	2
12	20514	A2 Roller	2
13	19064	Sill, Wipe, Bottom Vinyl, BL-122	1
14	BL798	PVC Rail Spreader	1
15	20305	1/4-20 FHP - B, 3/4", SS Clear	4
16	19141	15/16" Bottom Vent Clip 3015 Weather Strip Insert (3779)	1
17	20635	Small Round Panel Plug	1
18	27635	#8 FHP-A, 2.5", SS, Clear	8
19	-	Glass	1
20	22909	1 inch Glazing Vinyl (Shown)	1
21	25907	Thermal Plug	4
22	19117	Large Fin Seal Mohair (29027045BKGB)	1
23	18679, 18682, 18683, 18686	Key Cylinder [KA (Black, SS), KD (Black, SS)]	1
24	24780	Cam - (for the Key Cylinder)	1

HARDWARE

ITEM NO.	PART NUMBER	DESCRIPTION	QTY.
25	24781	Brass Bushing - Archetype	1
26	24767	Archetype Actuator Pocket, XO, SS	1
27	24074	#4-40 FHP, UC, 1/8", SS, Clear	2
28	24079, 24766	Archetype Actuator (Black, SS)	1
29	24072, 24094	#6-32, Hex Socket Head Cap, Self Locking, 1/2", SS (Clear, Black)	1
30	24935	#8-32 x 1 Set Screw (Reg. Arch, Cyl)	1
31	24076	#8-32 FHS, 3/8" Long, Hex Countersunk Screw (Stainless Steel)	3
32	26685	Archetype Latch Faceplate, (Thermal)	1
33	25560	#10-32 FHP-B, 3.375 in (Actual size 3.312 in) , SS, Clear	2
34	24070	Archetype OX Primary Latch, LH Latch	1
35	24087, 24093	#10-32 FHS Screw, 0.375 in (SS, Black)	2
36	24089, 24091	Archetype Handle, Inside, with Gasket (SS, Black)	1
37	24090, 24092	Archetype Handle, Outside, with Gasket (SS, Black)	1
38	18671	Back Up Plate # 10-32 x 0.075 Thk.	2

Description
XI-Panel B.O.M.

File Name
Series 3000-T OXIXO With
Screen Assembly

REV
C

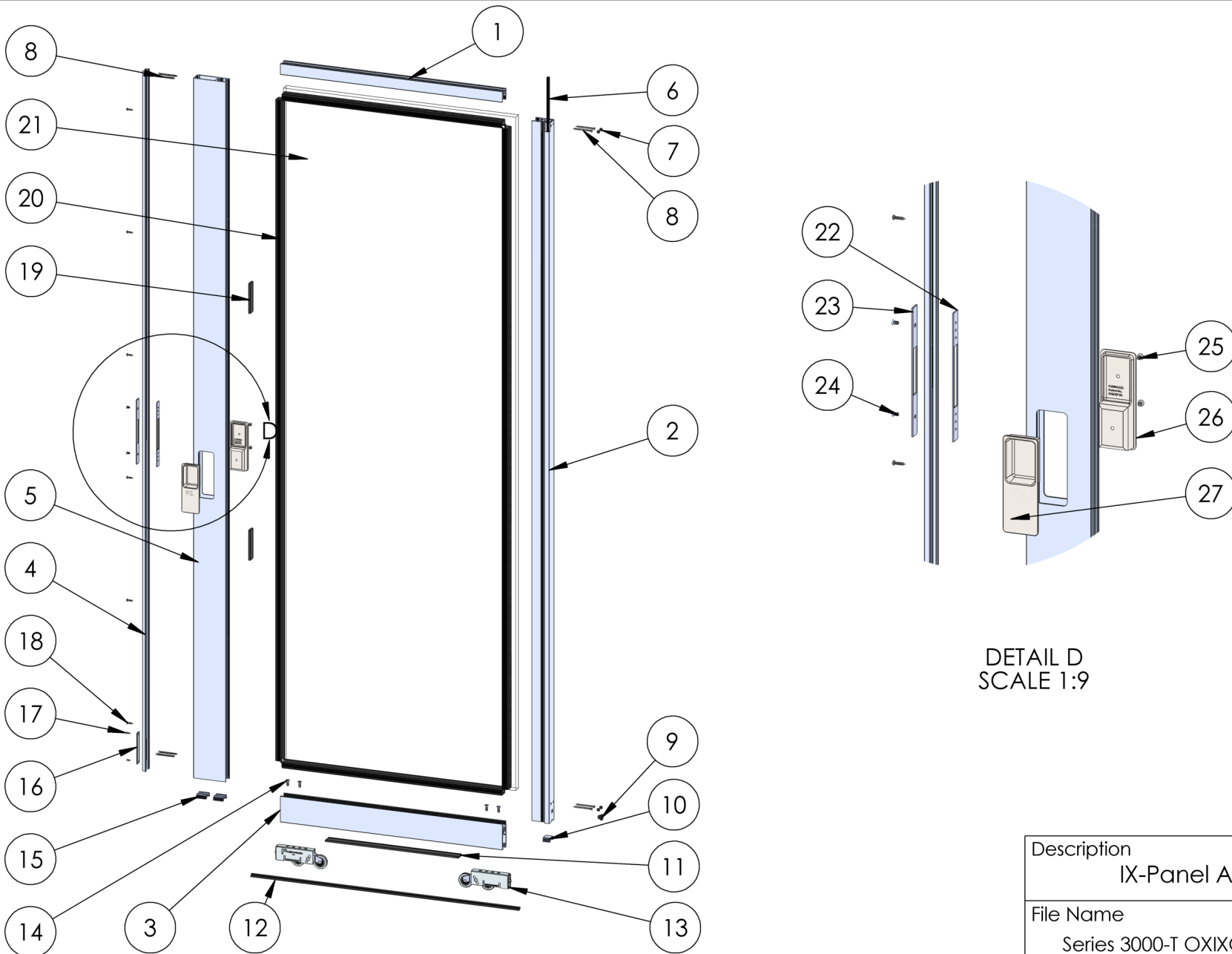
PROPRIETARY AND CONFIDENTIAL

THE INFORMATION CONTAINED IN THIS DRAWING IS THE SOLE PROPERTY OF FLEETWOOD WINDOWS & DOORS.
ANY REPRODUCTION IN PART OR AS A WHOLE WITHOUT THE WRITTEN PERMISSION OF FLEETWOOD WINDOWS & DOORS IS PROHIBITED.

Released 4/3/2025

SHEET 6 OF 9

ASSEMBLY / PARTS LIST (B.O.M.)



DETAIL D
SCALE 1:9

PROPRIETARY AND CONFIDENTIAL
THE INFORMATION CONTAINED IN THIS DRAWING IS THE SOLE PROPERTY OF FLEETWOOD WINDOWS & DOORS.
ANY REPRODUCTION IN PART OR AS A WHOLE WITHOUT THE WRITTEN PERMISSION OF FLEETWOOD WINDOWS & DOORS IS PROHIBITED.

Description IX-Panel Assembly	
File Name Series 3000-T OXIXO With Screen Assembly	REV C
Released 4/3/2025	SHEET 7 OF 9



ASSEMBLY / PARTS LIST (B.O.M.)

EXTRUSIONS

ITEM NO.	PART NUMBER	DESCRIPTION	QTY.
1	3075	Thermal Top Rail	1
2	3727	Thermal Interlocker Sliding	1
3	3077	Sliding Bottom Rail DG	1
4	3039	Male Yoke	1
5	3776	Thermal Non-Active Stile (Archetype)	1

HARDWARE

ITEM NO.	PART NUMBER	DESCRIPTION	QTY.
6	19117	Large Fin Seal Mohair (29027045BKGB)	1
7	25907	Thermal Plug	4
8	27635	#8 FHP-A, 2.5", SS, Clear	8
9	20635	Small Round Panel Plug	1
10	19141	15/16" Bottom Vent Clip 3015 Weather Strip Insert (3779)	1
11	BL798	PVC Rail Spreader	1
12	19064	Sill, Wipe, Bottom Vinyl, BL-122	1
13	20514	A2 Roller Assembly	2
14	20305	1/4-20 FHP - B, 3/4", SS Clear	4
15	24770	Bottom Vent Clip Weatherstrip Insert	2
16	25035	Meeting Stile Bumper Cover Plate	1
17	20887	#6 FHP-A-UC Screw, 0.5 in.	2
18	20314	#8 PHP-A Screw, .75 in, SS, Clear	6

HARDWARE

ITEM NO.	PART NUMBER	DESCRIPTION	QTY.
19	18620	Setting Block 4" x 1/4"x1"	2
20	22909	1 inch Glazing Vinyl (Shown)	1
21	-	Glass	1
22	24981	Strike Backup Plate, Meeting Stile	1
23	24980	Strike Plate, Meeting Stile	1
24	20266	#10-32 FHP Screw, 0.375 In.	2
25	24087, 24093	#10-32 FHS Screw, 0.375 in (SS, Black)	2
26	24089, 24091	Archetype Handle, Inside, with Gasket (SS, Black)	1
27	24090, 24092	Archetype Handle, Outside, with Gasket (SS, Black)	1

Description
IX-Panel B.O.M.

File Name
Series 3000-T OXIXO With
Screen Assembly

REV
C

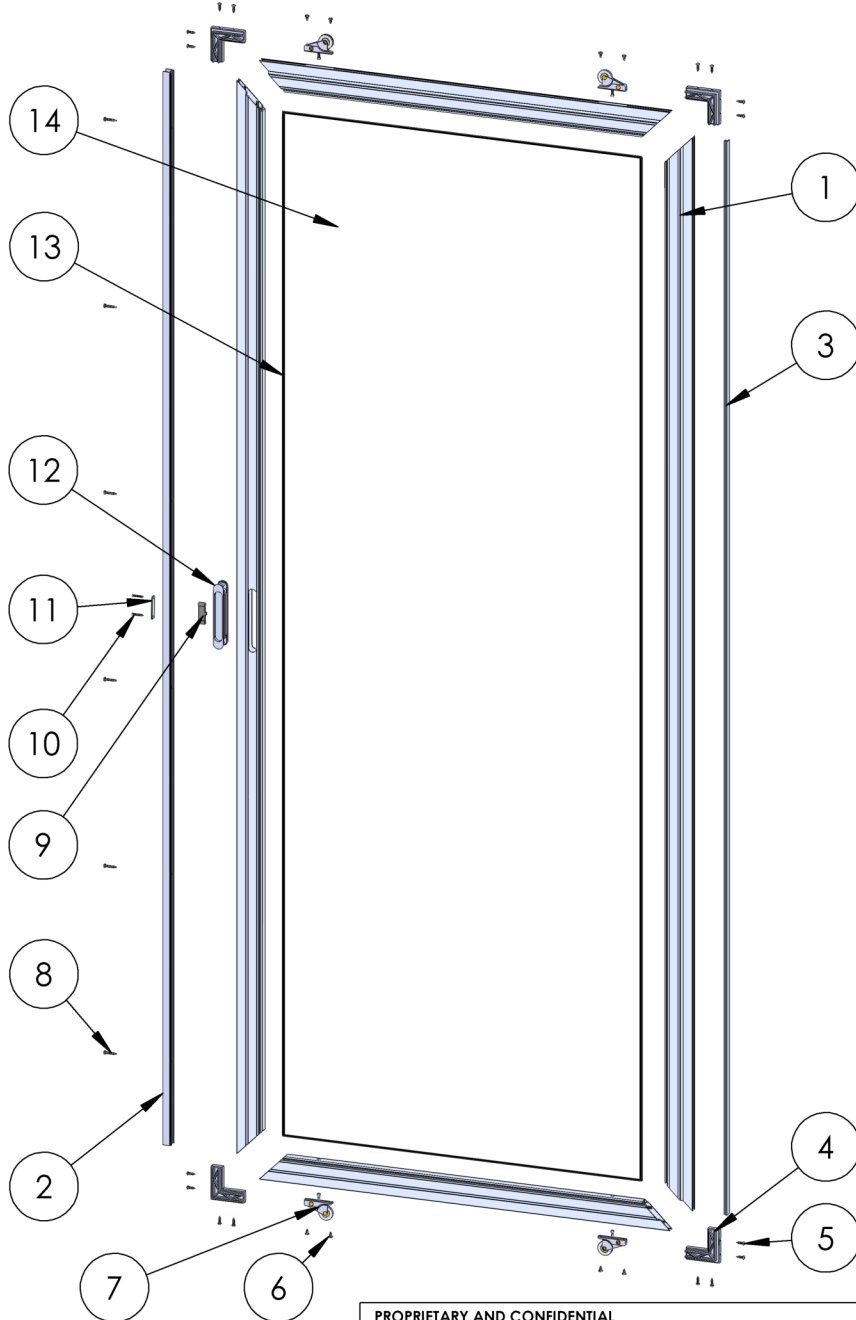
PROPRIETARY AND CONFIDENTIAL

THE INFORMATION CONTAINED IN THIS DRAWING IS THE SOLE PROPERTY OF FLEETWOOD WINDOWS & DOORS.
ANY REPRODUCTION IN PART OR AS A WHOLE WITHOUT THE WRITTEN PERMISSION OF FLEETWOOD WINDOWS & DOORS IS PROHIBITED.

Released 4/3/2025

SHEET 8 OF 9

ASSEMBLY / PARTS LIST (B.O.M.)



EXTRUSIONS

ITEM NO.	PART NUMBER	DESCRIPTION	QTY.
1	145	Screen Extrusion	4
2	1065	Screen Astragal	1

HARDWARE

ITEM NO.	PART NUMBER	DESCRIPTION	QTY.
3	20531	Bug Wipe Screen	1
4	20489	Screen Corner Door B1240	4
5	20955	#8 PHP - A, 5/8, SS, Clear	16
6	20225	#6 PHP - TEK, 3/8", SS, Clear	8
7	22905	Screen Roller	4
8	20320	#8 PHP, TEK, 1 in, SS, Clear	6
9	27383	Magnetic Catch Spacer	1
10	27388	#6 Screw with #4 Head, 1"	2
11	27386	Magnetic Catch Strike	1
12	27381	Screen Handle	1
13	19130	Screen Rubber Spline .160	1
14	-	Screen Mesh	1

NOTES:

1. Include 27382 Magnetic Screen Strike Kit.
2. Active screen panel shown. Inactive panel does not have parts 1065 and 20320.

PROPRIETARY AND CONFIDENTIAL
THE INFORMATION CONTAINED IN THIS DRAWING IS THE SOLE PROPERTY OF FLEETWOOD WINDOWS & DOORS.
ANY REPRODUCTION IN PART OR AS A WHOLE WITHOUT THE WRITTEN PERMISSION OF FLEETWOOD WINDOWS & DOORS IS PROHIBITED.

Description Screen Panel Assembly	
File Name Series 3000-T OXIXO With Screen Assembly	REV C
Released 4/3/2025	SHEET 9 OF 9