

ASSEMBLY / PARTS LIST (B.O.M.)

Series: 3000
Type: XOOX Configuration

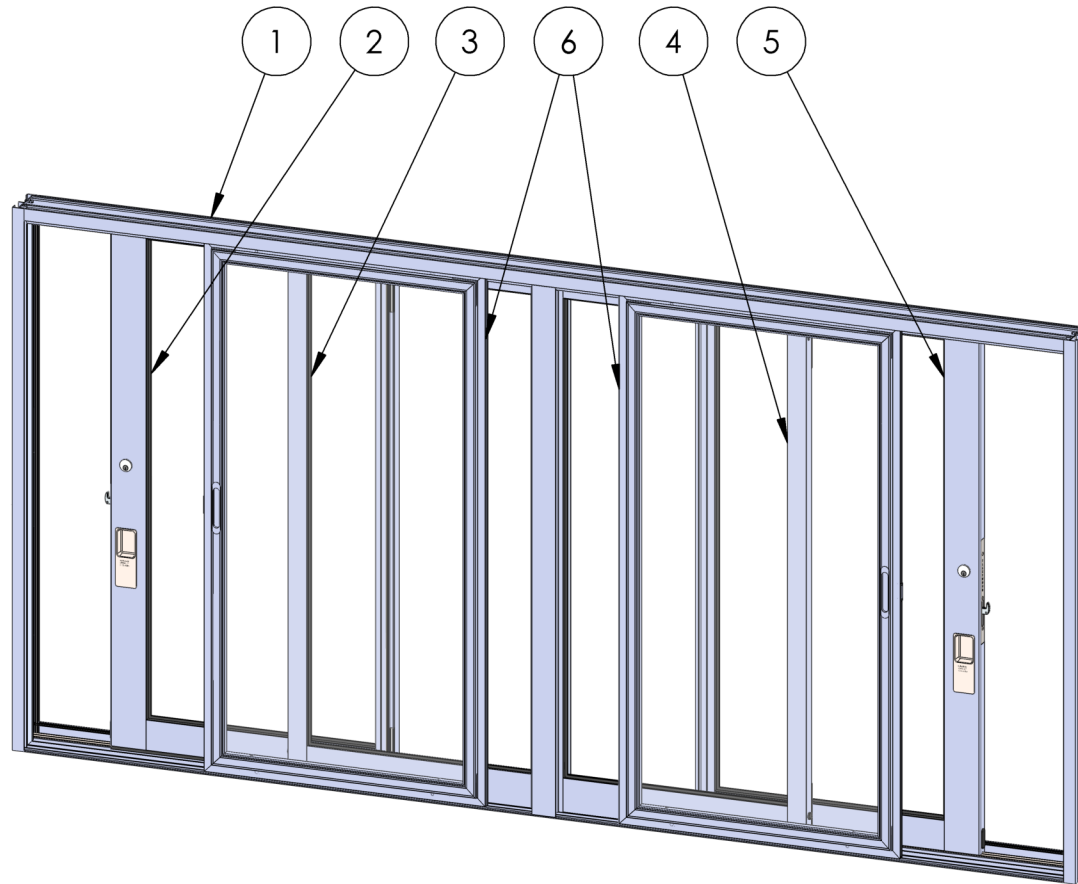


TABLE OF CONTENTS

ITEM NO.	PART NUMBER	QTY.	PAGE #
1	Frame Assembly	1	2-3
2	X Panel Assembly	1	4-5
3	O Panel Assembly	1	6
4	O Panel Assembly	1	6
5	X Panel Assembly	1	4-5
6	Screen Assembly	2	7

NOTES:

1. XOOX Configuration shown
2. Items 4 and 5 are mirror images of items 1 and 2. Part numbers are the same.
3. Stacks Exterior for items 1 and 2.
4. Stacks Interior for items 4 and 5.

Description

Table of Contents

File Name

Series 3000 XOOX
Assembly

REV
F

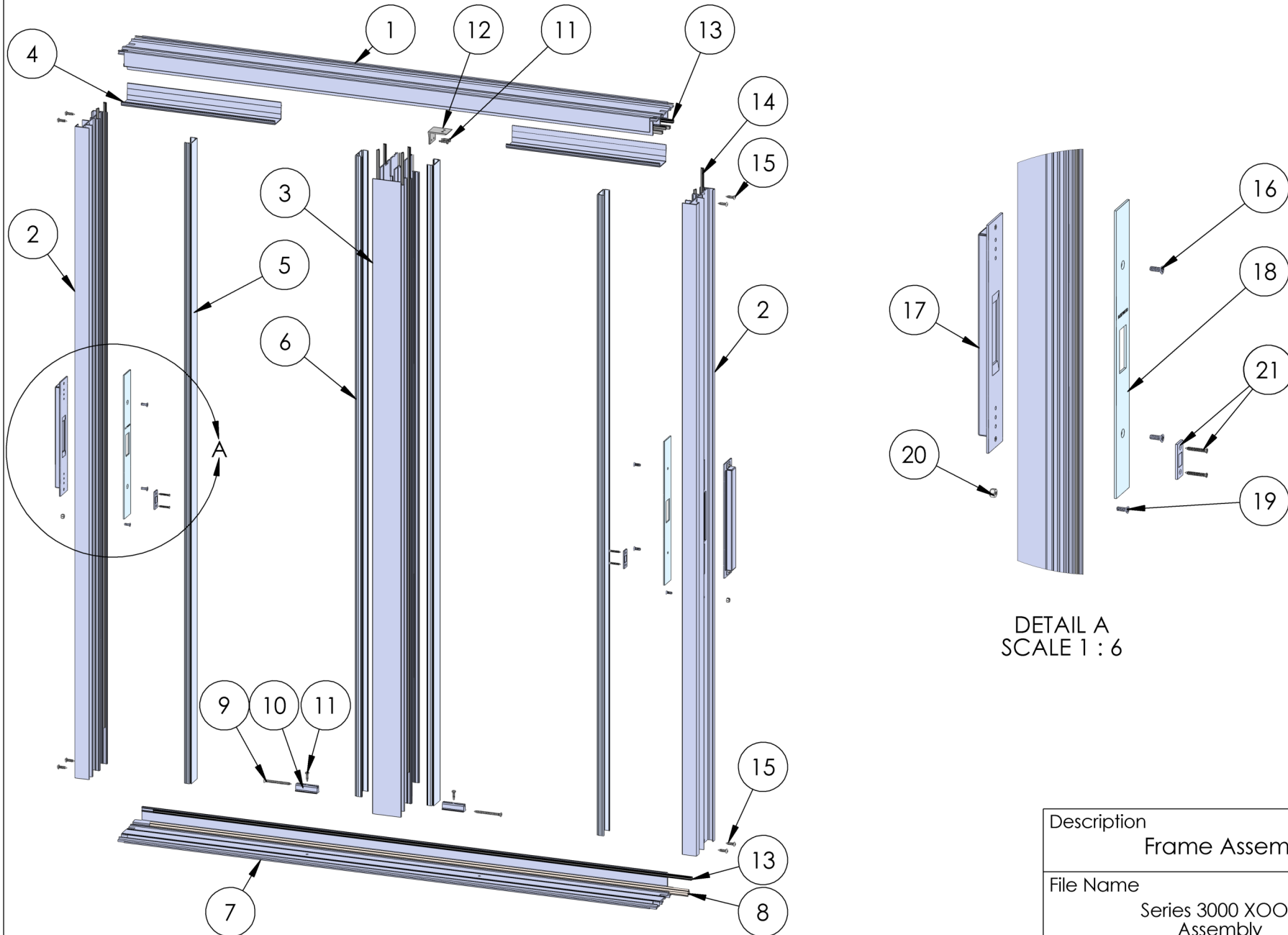
Released 4/3/2025

SHEET 1 OF 7

PROPRIETARY AND CONFIDENTIAL

THE INFORMATION CONTAINED IN THIS DRAWING IS THE SOLE PROPERTY OF FLEETWOOD WINDOWS & DOORS.
ANY REPRODUCTION IN PART OR AS A WHOLE WITHOUT THE WRITTEN PERMISSION OF FLEETWOOD WINDOWS & DOORS IS PROHIBITED.

ASSEMBLY / PARTS LIST (B.O.M.)



DETAIL A
SCALE 1 : 6

PROPRIETARY AND CONFIDENTIAL
THE INFORMATION CONTAINED IN THIS DRAWING IS THE SOLE PROPERTY OF FLEETWOOD WINDOWS & DOORS.
ANY REPRODUCTION IN PART OR AS A WHOLE WITHOUT THE WRITTEN PERMISSION OF FLEETWOOD WINDOWS & DOORS IS PROHIBITED.

Description		
Frame Assembly		
File Name	Series 3000 XOOX Assembly	REV F
Released	4/3/2025	SHEET 2 OF 7

ASSEMBLY / PARTS LIST (B.O.M.)

EXTRUSIONS

ITEM NO.	PART NUMBER	DESCRIPTION	QTY.
1	3017, 3095	Head (Block, Nail-fin)	1
2	3001, 3012	Lock Jamb (Block, Nail-fin)	2
3	3052	False Jamb	1
4	3011	Head Closer	2
5	3016	Exterior Jamb Filler	2
6	3102	Interior Jamb Filler	2
7	3002,3003, 3038	Sill (leg height 1.25", 1.88", 3.00")	1
8	FW1020	Stainless steel Track	1

HARDWARE

ITEM NO.	PART NUMBER	DESCRIPTION	QTY.
9	20404	#10 OH - A, 2.5, Zinc,Gold	2
10	20502	Sill Block (M607, 20483)	2
11	20312	#8 PHP-TEK Screw, .75 in	4
12	23007	L Clips with 4-hole, Clear	1
13	19118	Small Fin Seal 23027045BKQB	5
14	19120	Q-Lon (U5212)	8
15	20347	#10 PHP-A Screw, 3/4"	8
16	20278	#10-32 FHP-B-UC, 9/16", SS clear	4
17	24068	Backup Plate (With Dust Cover)	2
18	24067	Strike Plate	2
19	25497	#8-32 FHP,UC, 1/2",SS	2
20	25498	#8-32 Nylon-Insert Hex Locknut,SS	2
21	27382	Magnetic Screen Strike Kit	2

Description

Frame B.O.M.

File Name

Series 3000 XOOX
Assembly

REV
F

Released

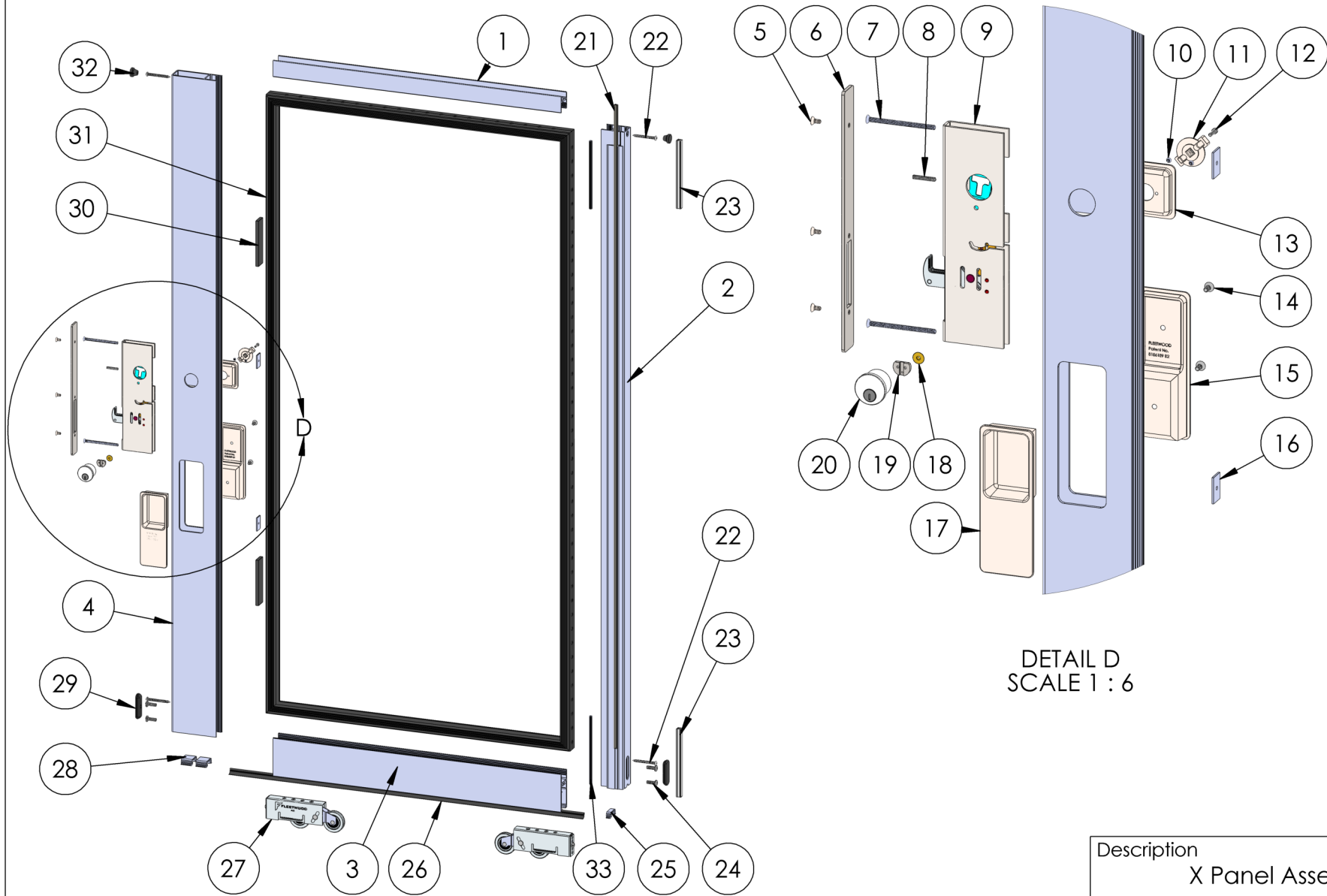
4/3/2025

SHEET 3 OF 7

PROPRIETARY AND CONFIDENTIAL

THE INFORMATION CONTAINED IN THIS DRAWING IS THE SOLE PROPERTY OF FLEETWOOD WINDOWS & DOORS.
ANY REPRODUCTION IN PART OR AS A WHOLE WITHOUT THE WRITTEN PERMISSION OF FLEETWOOD WINDOWS & DOORS IS PROHIBITED.

ASSEMBLY / PARTS LIST (B.O.M.)



DETAIL D
SCALE 1 : 6

Description	
X Panel Assembly	
File Name	REV
Series 3000 XOOX Assembly	F
Released	SHEET 4 OF 7
4/3/2025	

PROPRIETARY AND CONFIDENTIAL
THE INFORMATION CONTAINED IN THIS DRAWING IS THE SOLE PROPERTY OF FLEETWOOD WINDOWS & DOORS.
ANY REPRODUCTION IN PART OR AS A WHOLE WITHOUT THE WRITTEN PERMISSION OF FLEETWOOD WINDOWS & DOORS IS PROHIBITED.

ASSEMBLY / PARTS LIST (B.O.M.)

EXTRUSIONS

ITEM NO.	PART NUMBER	DESCRIPTION	QTY.
1	3004, 3009	Top Rail DG, Same as bottom rail	1
2	3006	Interlocker	1
3	3009	Bottom Rail	1
4	3767	Archetype Lock Stile	1

HARDWARE

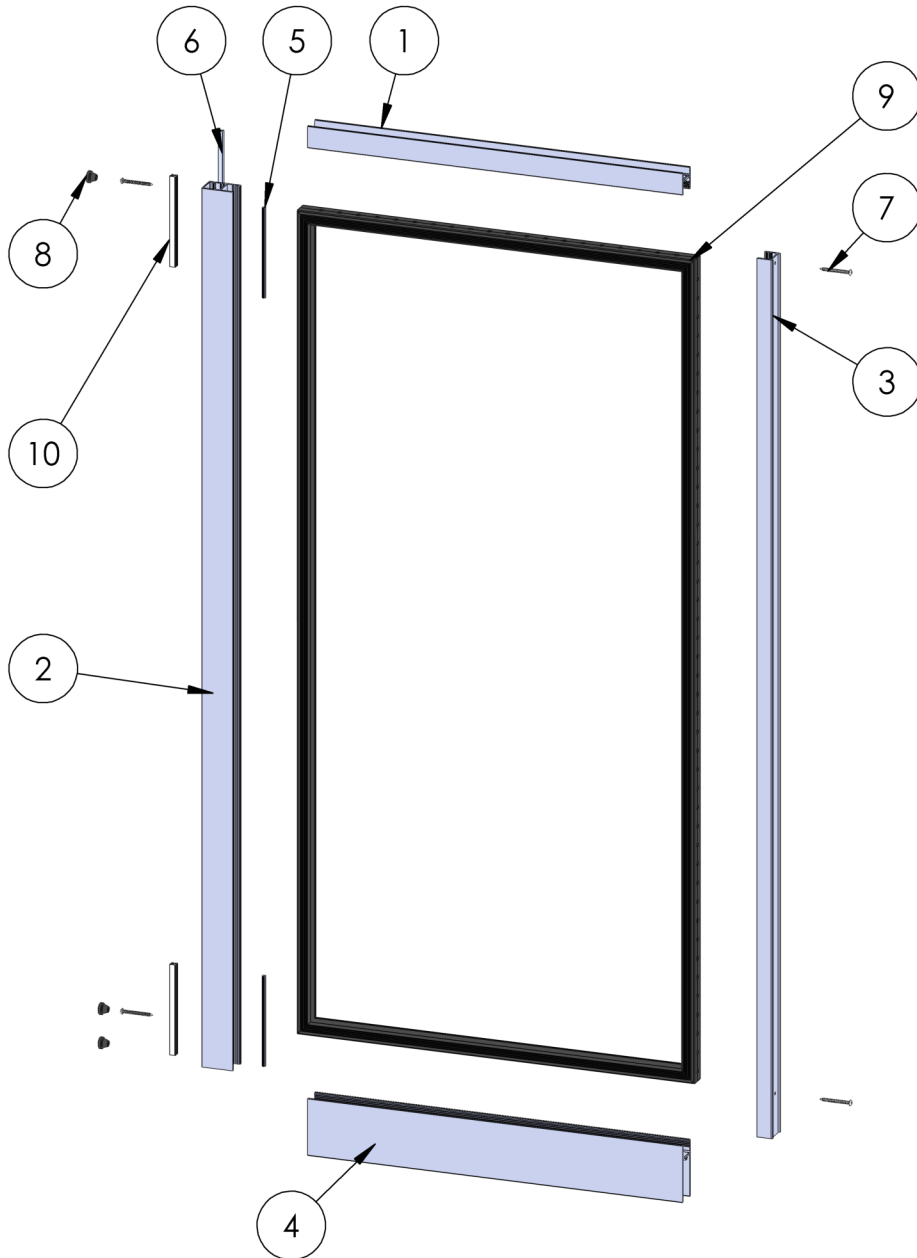
ITEM NO.	PART NUMBER	DESCRIPTION	QTY.
5	24076	#8-32 FH Socket Screw, 3/8 in.	3
6	26685	Archetype Latch Faceplate, (Thermal)	1
7	25729	#10-32 FHP, 3, SS, Clear	2
8	24935	#8-32 x 1" Set Screw	1
9	24070, 24077	Archetype Latch (OX, XO)	1
10	24074	#4-40 FHP, UC, 1/8", SS, Clear	2
11	24079, 24766	Archetype Actuator (Black, SS)	1
12	24072, 24094	#6-32, Hex Socket Head Cap, Self Locking, 1/2", SS (Clear, Black)	1
13	24080, 24765, 24081, 24767	Archetype Actuator Pocket, [OX (Black, SS), XO (Black, SS)]	1
14	24087, 24093	#10-32 FHS Screw, 7/16 in. (SS, Black)	2
15	24089, 24091	Archetype Handle, Inside (SS, Blk)	1
16	18671	Back Up Plate	2

HARDWARE

ITEM NO.	PART NUMBER	DESCRIPTION	QTY.
17	24090, 24092	Archetype Handle, Outside (SS, Blk)	1
18	24781	Archetype Cam Bushing	1
19	24780	Key Cylinder Cam	1
20	18679, 18682, 18683, 18686	Key Cylinder [KA (Black, S.S.), KD (Black, S.S.)]	1
21	19117	Large Fin Seal	1
22	20355	#10 PHP Screw, 2 in.	4
23	24653	Air Barrier Standard Interlock	2
24	20358	#1/4-20 PHP-B Screw, 3/4 in.	4
25	19142	Bottom Vent Clip (small)	1
26	19064	Sill Wipe, Bottom Vinyl	1
27	20514	A2 Roller Assembly	2
28	19141	Bottom Vent Clip (Large)	2
29	18630	Oval Plug- Short	2
30	18620	Setting Block 4" x 1/4"x1"	2
31	22909	1 Inch Vinyl	1
32	20635	Small Round Door Bumper	2
33	22927	Screen Spline .250 6"	2

Description X Panel B.O.M.	
File Name Series 3000 XOOX Assembly	REV F
Released 4/3/2025	SHEET 5 OF 7

ASSEMBLY / PARTS LIST (B.O.M.)



EXTRUSIONS

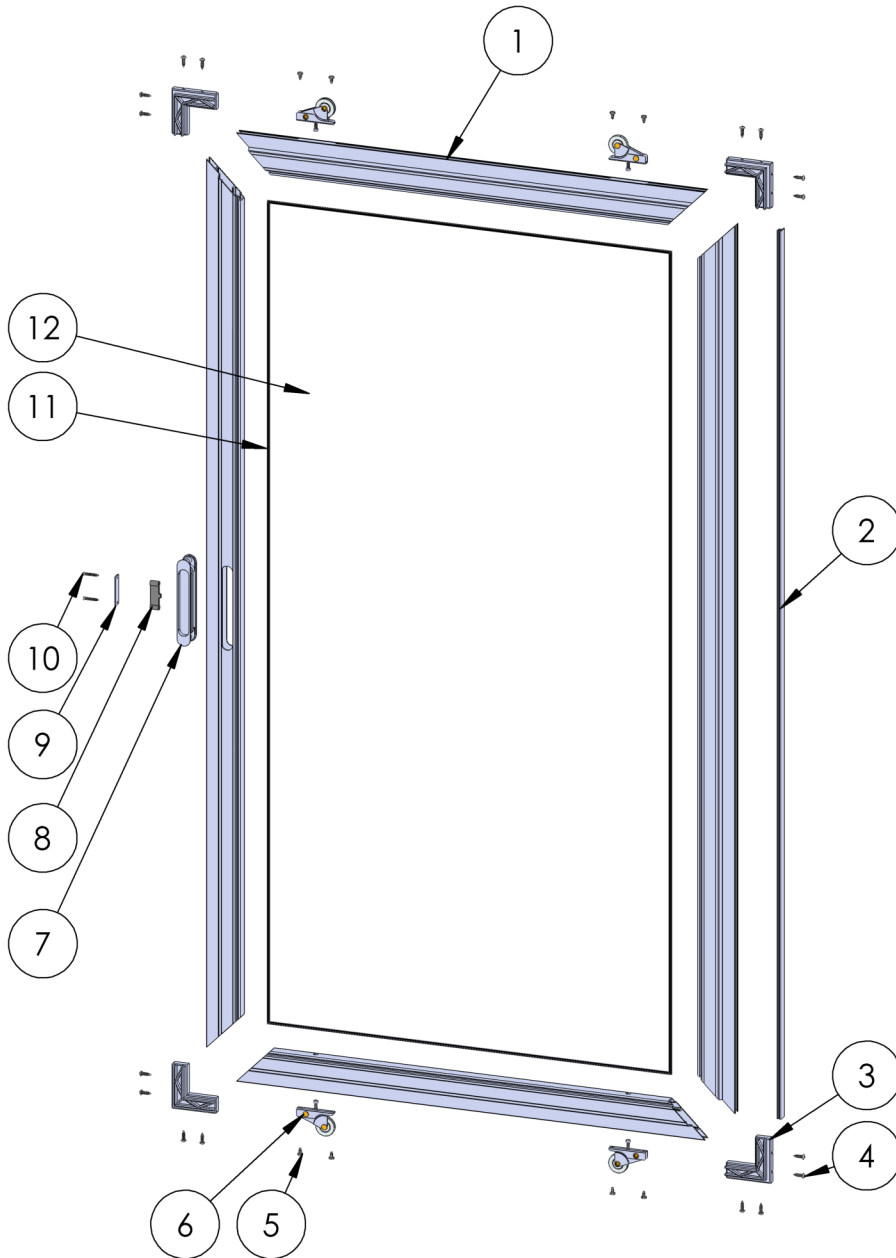
ITEM NO.	PART NUMBER	DESCRIPTION	QTY.
1	3004	Top Rail DG	1
2	3006	Interlocker	1
3	3008	Fixed Stile	1
4	3010	Fixed Bottom Rail	1

Hardware

ITEM NO.	PART NUMBER	DESCRIPTION	QTY.
5	22927	Screen Spline .250 6"	2
6	19117	Large Fin Seal	1
7	20355	#10 PHP Screw, 2 in.	4
8	20635	Small Round Door Bumper	3
9	22909	1 Inch Vinyl	1
10	24653	Air Barrier Standard Interlock	2

Description		O Panel	
File Name		Series 3000 XOOX Assembly	REV F
Released	4/3/2025	SHEET 6 OF 7	

ASSEMBLY / PARTS LIST (B.O.M.)



EXTRUSIONS

ITEM NO.	PART NUMBER	DESCRIPTION	QTY.
1	145	Screen Extrusion	4

HARDWARE

ITEM NO.	PART NUMBER	DESCRIPTION	QTY.
2	20531	Bug wipe screen	1
3	20489	Screen Corner Door B1240	4
4	20314	#8 PHP Screw, 3/4"	16
5	20225	#6 PHP-TEK Screw, 3/8 in.	8
6	22905	Screen Roller	4
7	27381	Screen Handle	1
8	27383	Magnetic Catch Spacer	1
9	27386	Magnetic Catch Strike	1
10	27388	#6 Screw with #4 Head, 1"	2
11	19130	Screen Rubber Spline .160	1
12	-	Screen Mesh	1

PROPRIETARY AND CONFIDENTIAL
THE INFORMATION CONTAINED IN THIS DRAWING IS THE SOLE PROPERTY OF FLEETWOOD WINDOWS & DOORS.
ANY REPRODUCTION IN PART OR AS A WHOLE WITHOUT THE WRITTEN PERMISSION OF FLEETWOOD WINDOWS & DOORS IS PROHIBITED.

Description Screen Assembly	
File Name Series 3000 XOOX Assembly	REV F
Released 4/3/2025	SHEET 7 OF 7