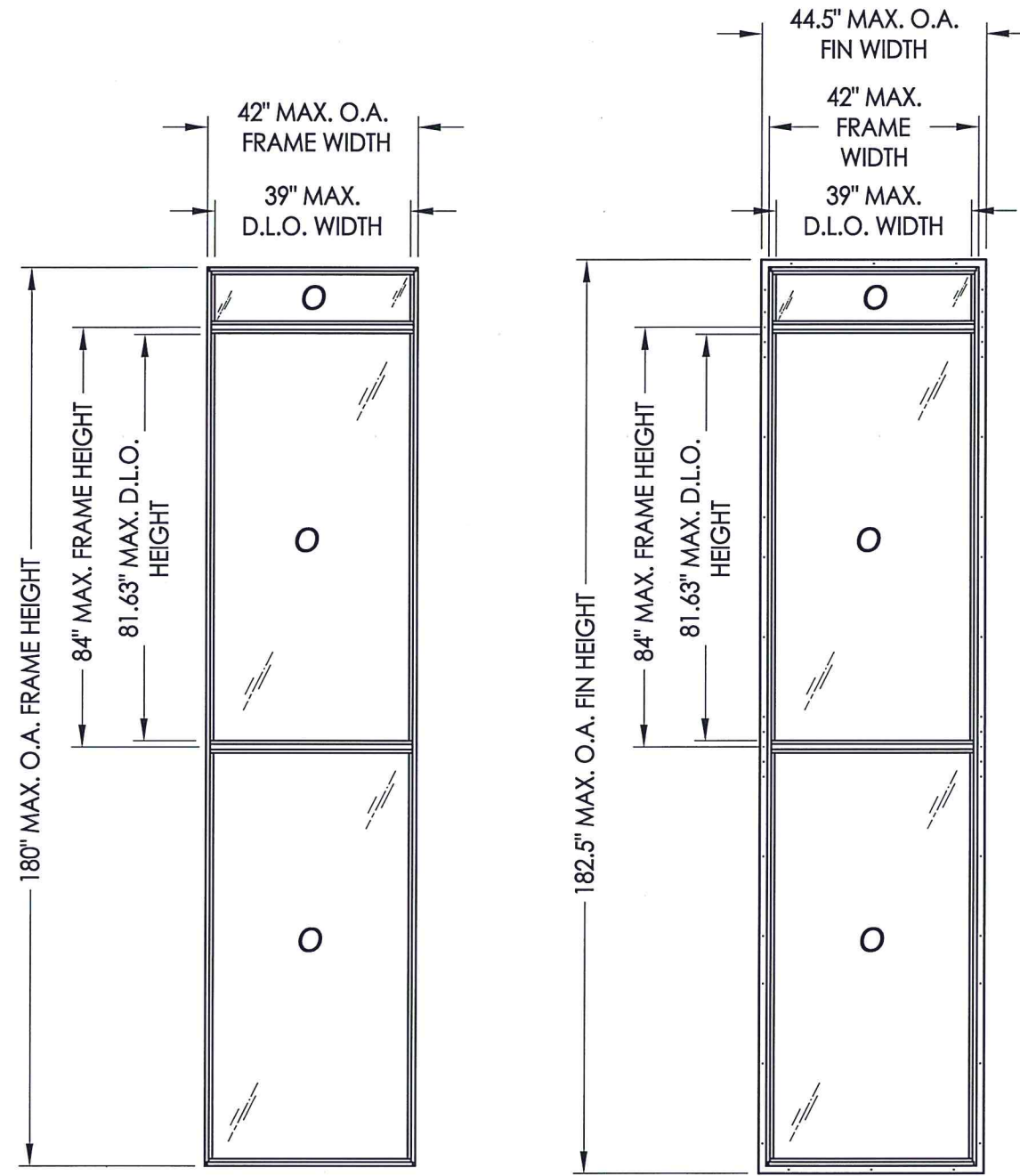


Series 3800-T Aluminum Fixed Window w/ Thermal Break Frame "IMPACT"

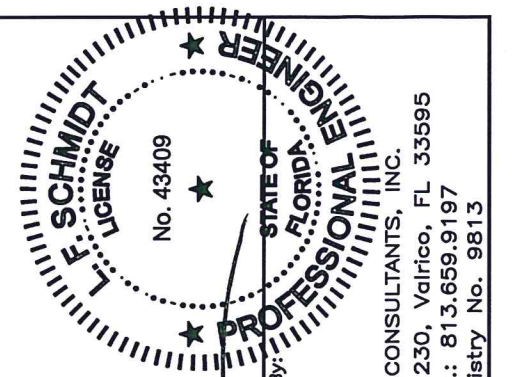
GENERAL NOTES

- This product has been evaluated and is in compliance with the 7th Edition (2020) Florida Building Code (FBC) structural requirements including the "High Velocity Hurricane Zone" (HVHZ).
- Product anchors shall be as listed and spaced as shown on details. Anchor embedment to base material shall be beyond wall dressing or stucco.
- When used in the "HVHZ" this product complies with Section 1626 of the Florida Building Code and does not require an impact resistant covering.
- When used in areas outside of the "HVHZ" requiring wind borne debris protection this product complies with FBC Sections 1609.1.2 & R301.2.1.2 and does not require an impact resistant covering. This product meets missile level "D" and includes Wind Zone 4 as defined in ASTM E 1996 and FBC Sections 1609.1.2.2 & R301.2.1.2.1.
- For 2x stud framing construction, anchoring of these units shall be the same as that shown for 2x buck masonry construction.
- Site conditions that deviate from the details of this drawing require further engineering analysis by a licensed engineer or registered architect.
- This product meets water infiltration requirements for "HVHZ".
- Gaskets and setting blocks shall comply with FBC Section 2411.3.4.
- Aluminum components, including fasteners, shall meet the requirements of FBC Section 2003.

TABLE OF CONTENTS	
SHEET#	DESCRIPTION
1	Typical elevations, design pressures and general notes
2	Elevations
3	Horizontal cross sections
4	Horizontal cross sections
5	Buck & frame anchoring
6	Glazing details
7	Bill of materials and components



OVERALL FIN DIMENSION	OVERALL FRAME DIMENSION	MAX. D.L.O. DIMENSION	GLASS TYPE	DESIGN PRESSURE (PSF)	
				POSITIVE	NEGATIVE
44.5" X 182.5"	42.0" X 180.0"	39.0" X 81.63"	G1, G2, G3, G4, G5	+65.0	-65.0

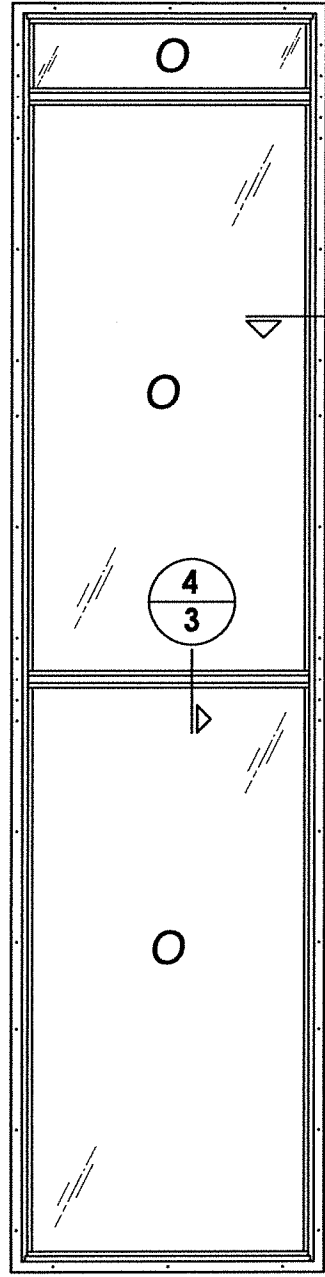


August 10, 2020
 Documents Prepared By:
 Lyndon F. Schmidt
 P.E. No. 43409

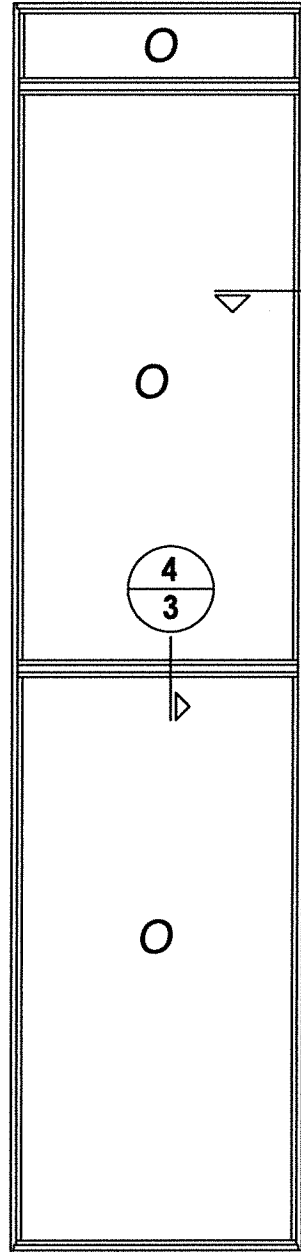
RW BUILDING CONSULTANTS, INC.
 P.O. Box 230, Valrico, FL 33595
 Phone No.: 813.659.9197
 FBPE Registry No. 9813

PRODUCT:	FLEETWOOD WINDOWS & DOORS
PART OR ASSEMBLY:	TYPICAL ELEVATION, DESIGN PRESSURES & GENERAL NOTES
DATE	6/27/16
SCALE	N.T.S.
DWG. BY:	JK
CHK. BY:	LFS
DRAWING NO.:	FL-16925.5
SHEET	1 OF 7

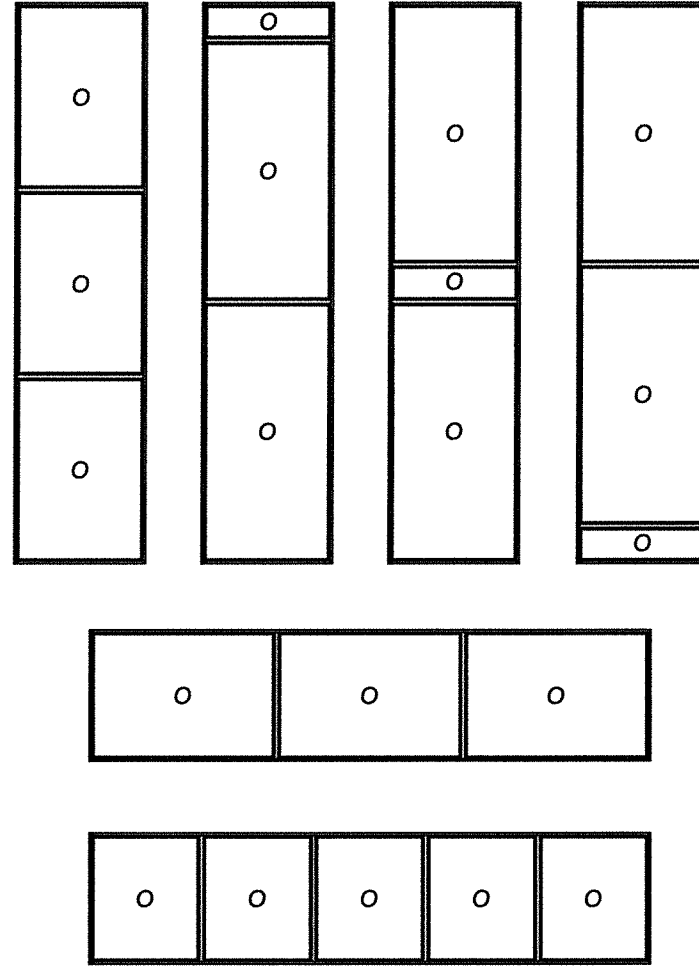
\\dc01\rvbc\Clients\Fleetwood PERMANENTVA - Florida Product Approvals\FL-16925 Fixed Windows\C - Drawings\FL 16925 (2020)\FL-16925.5.dwg



FIN MOUNT

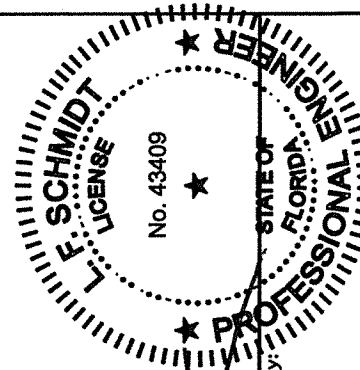


FRAME MOUNT



OPTIONAL CONFIGURATIONS

NOTE: Any combination of fixed window configurations are allowed. Do not exceed the maximum frame size or daylight openings as shown in this approval.

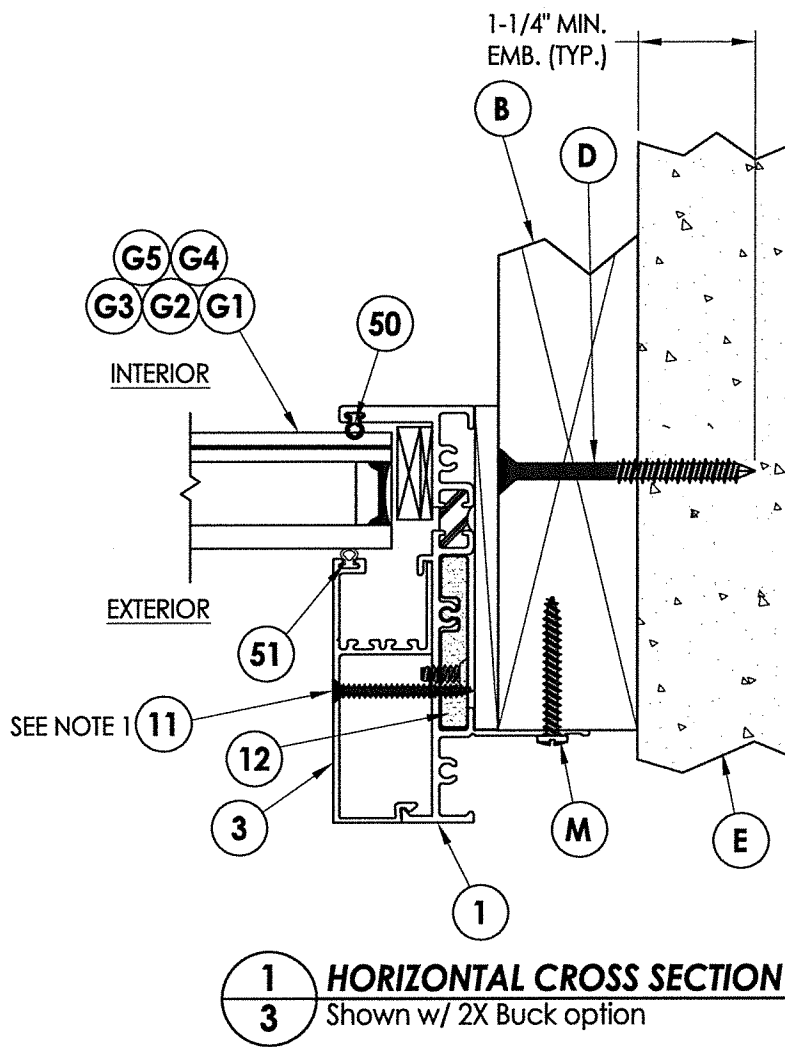


August 10, 2020
 Documents Prepared By:
 Lyndon F. Schmidt
 P.E. No. 43409

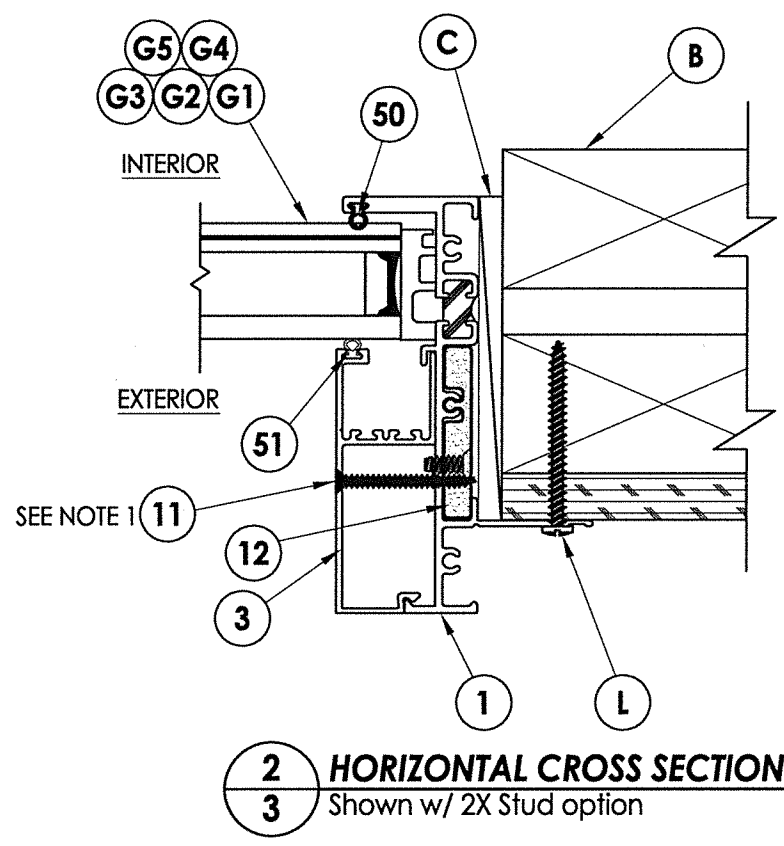
RW BUILDING CONSULTANTS, INC.
 P.O. Box 230, Vairico, FL 33595
 Phone No.: 813.659.9197
 FBPE Registry No. 9813

PRODUCT:		FLEETWOOD WINDOWS & DOORS	
PART OR ASSEMBLY:		ELEVATIONS	
NO.	DATE	REVISIONS	BY
3	8/10/20	UPDATE TO 7th ED. (2020)	DAC
2	08/03/17	UPDATE TO 6TH ED. (2017)	LFS
1	08/22/16	REVISE SERIES NAME	JK
DATE: 6/27/16		SCALE: N.T.S.	
DWG. BY: JK		CHK. BY: LFS	
DRAWING NO.: FL-16925.5		SHEET 2 OF 7	

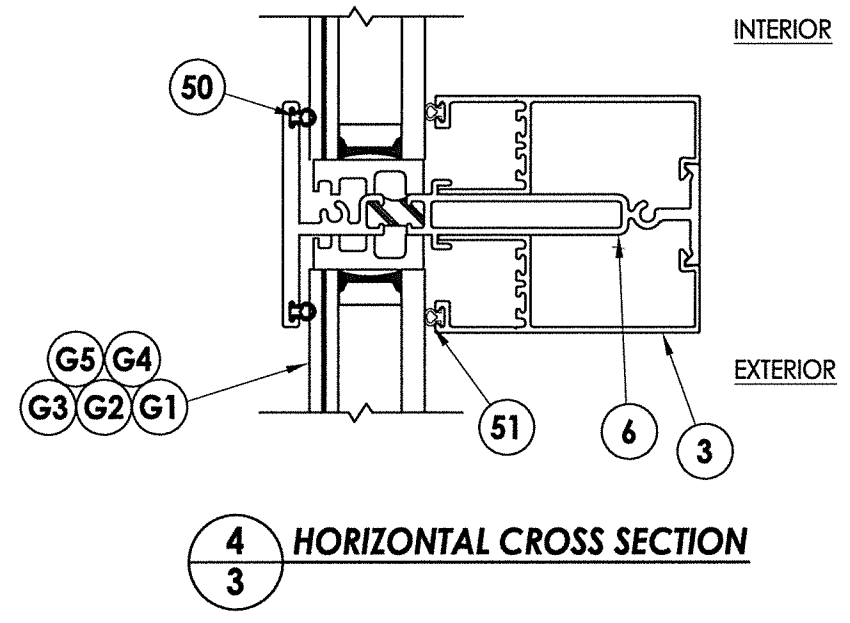
\\dc01\rvbc\Clients\Fleetwood PERMANENTVA - Florida Product Approvals\FL-16925 Fixed Windows\C - Drawings\FL 16925 (2020)\FL-16925.5.dwg



1 HORIZONTAL CROSS SECTION
3 Shown w/ 2X Buck option



2 HORIZONTAL CROSS SECTION
3 Shown w/ 2X Stud option



4 HORIZONTAL CROSS SECTION
3



3 HORIZONTAL CROSS SECTION
3 Shown w/ Steel Stud option

NOTE: Sheet Metal Screws must penetrate a min. of 3 threads completely through metal stud. Maintain 1/2" min. edge distance.

NOTES:
 1. Item #11 located 6" from each end and one in center along jambs (3 total).

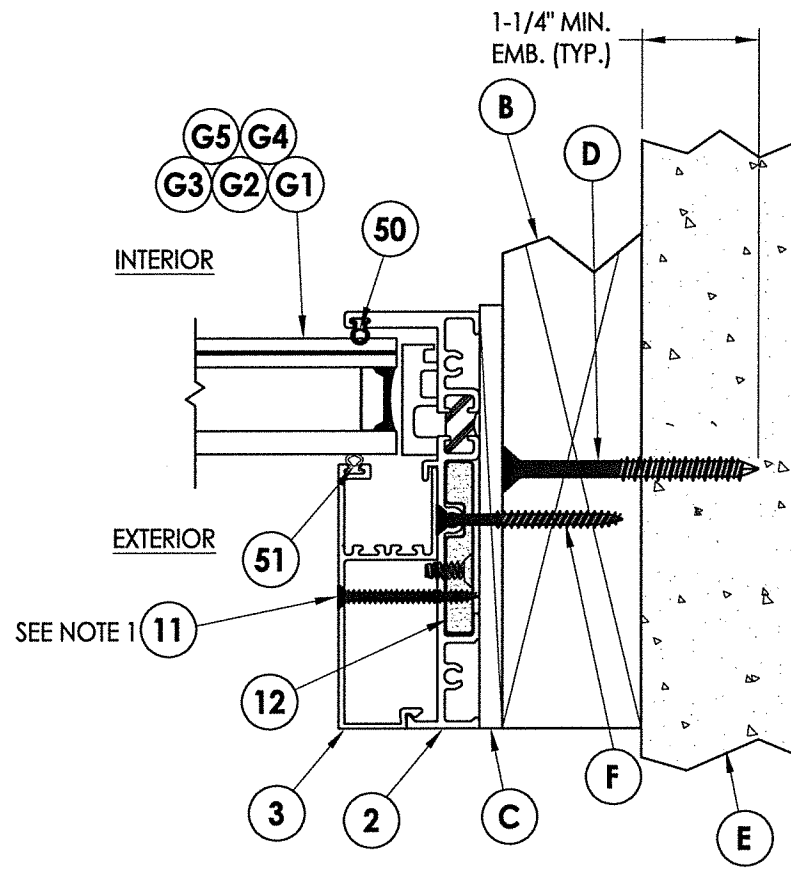
August 10, 2020
 Documents Prepared By:
 Lyndon F. Schmidt
 P.E. No. 43409

STATE OF FLORIDA
 PROFESSIONAL ENGINEER
 F. SCHMIDT
 LICENSE No. 43409

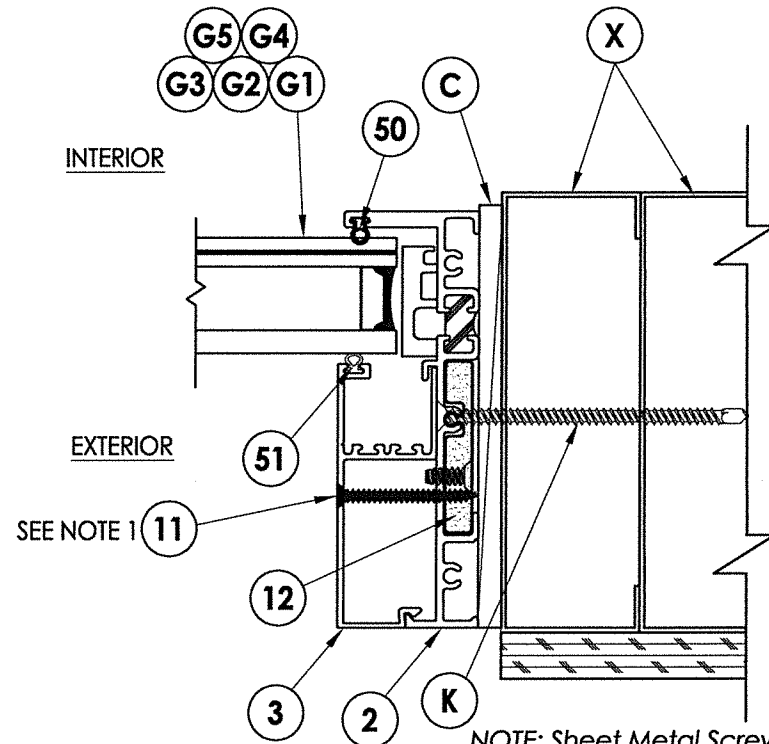
RW BUILDING CONSULTANTS, INC.
 P.O. Box 230, Valrico, FL 33595
 Phone No.: 813.659.9197
 FBPE Registry No. 9813

PRODUCT:		FLEETWOOD WINDOWS & DOORS	
PART OR ASSEMBLY:		HORIZONTAL CROSS SECTIONS	
NO.	DATE	REVISIONS	BY
3	8/10/20	UPDATE TO 7th ED. (2020) FBC	DAC
2	08/03/17	UPDATE TO 6TH ED. (2017) FBC	LFS
1	08/22/16	REVISE SERIES NAME	JK
DATE: 6/27/16			
SCALE: N.T.S.			
DWG. BY: JK			
CHK. BY: LFS			
DRAWING NO.: FL-16925.5			
SHEET 3 OF 7			

\\dc01\rvbc\Clients\Fleetwood PERMANENTVA - Florida Product Approvals\FL-16925 Fixed Windows\C - Drawings\FL 16925 (2020)\FL-16925.5.dwg

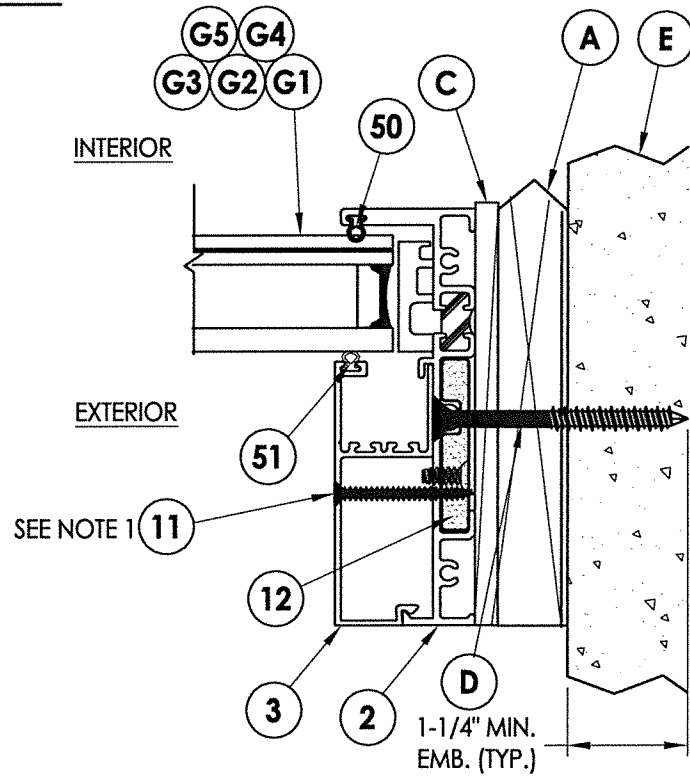


1 HORIZONTAL CROSS SECTION
4 Shown w/ 2X Buck option

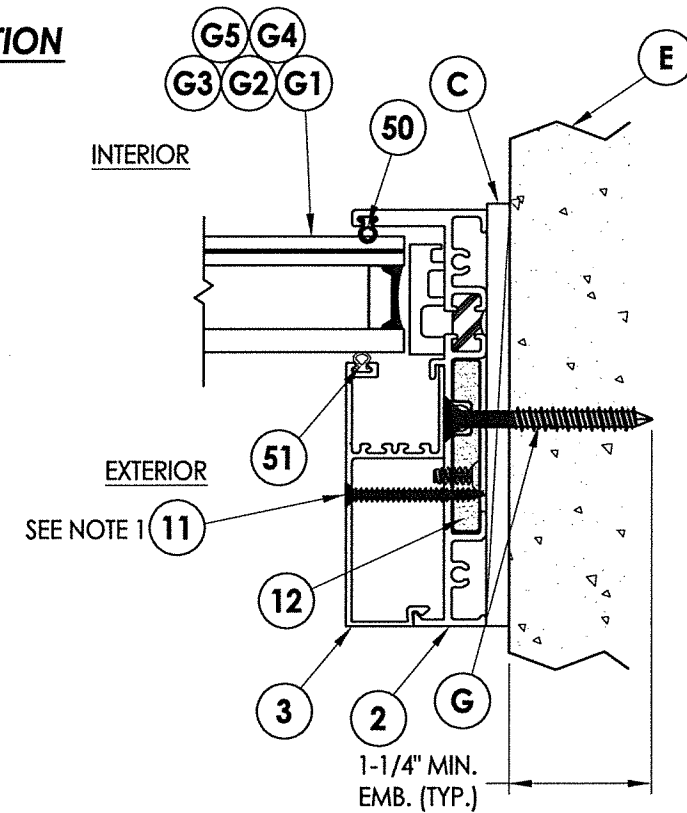


NOTE: Sheet Metal Screws must penetrate a min. of 3 threads through at least two (2) sheets of metal. Maintain a minimum 1/2" edge distance.

3 HORIZONTAL CROSS SECTION
4 Shown w/ Steel Stud option

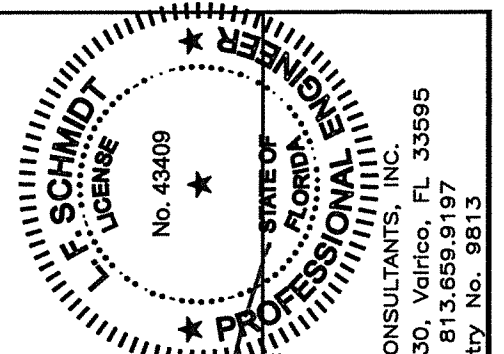


2 HORIZONTAL CROSS SECTION
4 Shown w/ 1X Sub buck option



4 HORIZONTAL CROSS SECTION
4 Shown w/ Direct to Masonry option

NOTES:
 1. Item #11 located 6" from each end and one in center along jambs (3 total).

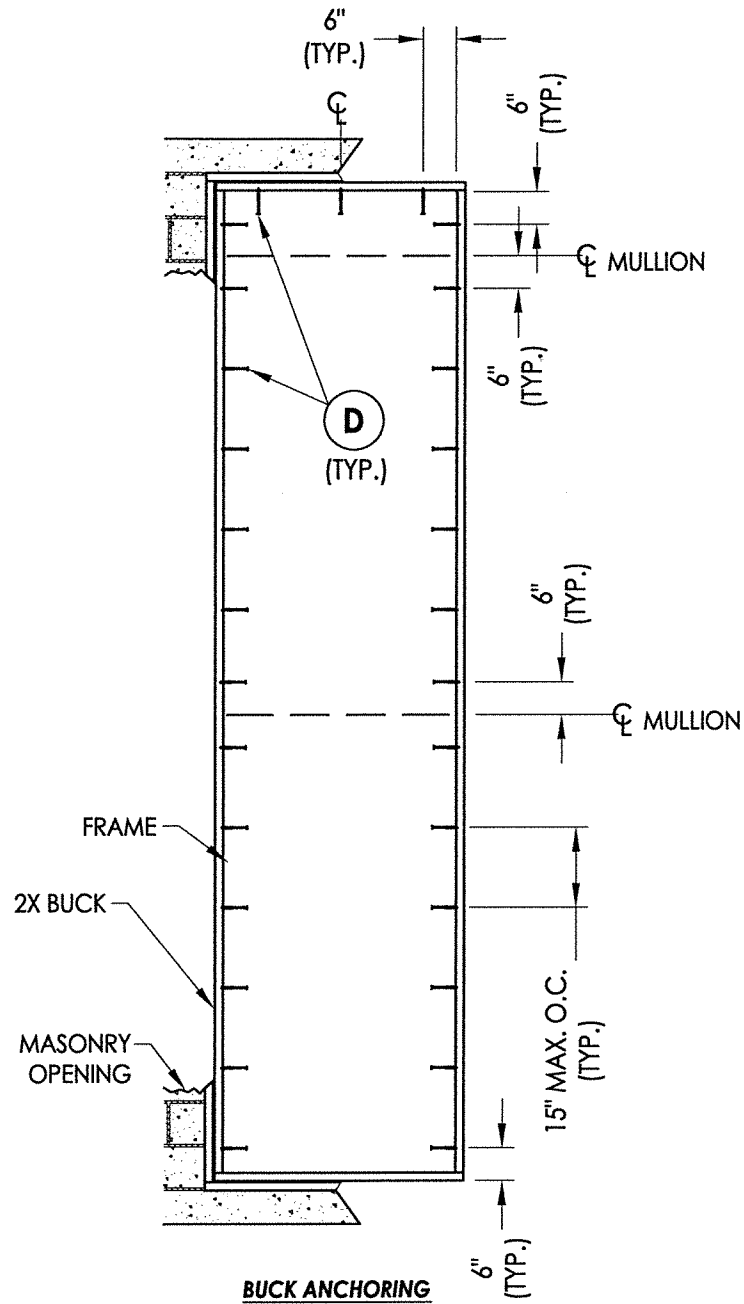


August 10, 2020
 Documents Prepared By:
 Lyndon F. Schmidt
 P.E. No. 43409
 R.W.
 BUILDING CONSULTANTS, INC.
 P.O. Box 230, Valrico, FL 33595
 Phone No.: 813.659.9197
 FBPE Registry No. 9813

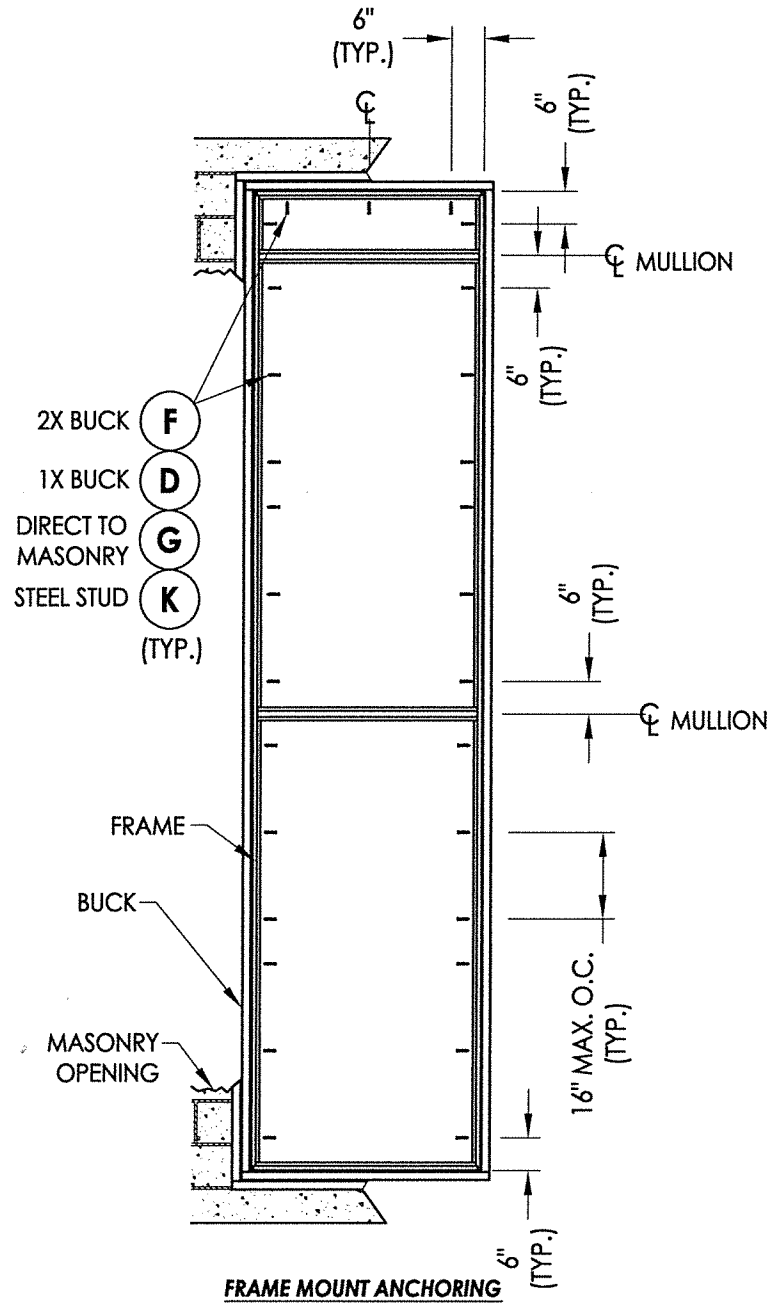
PRODUCT: FLEETWOOD WINDOWS & DOORS
 PART OR ASSEMBLY: HORIZONTAL CROSS SECTIONS

NO.	DATE	REVISIONS	BY
3	8/10/20	UPDATE TO 7th ED. (2020) FBC DAC	
2	08/03/17	UPDATE TO 6TH ED. (2017) FBC LFS	JK
1	08/22/16	REVISE SERIES NAME	JK

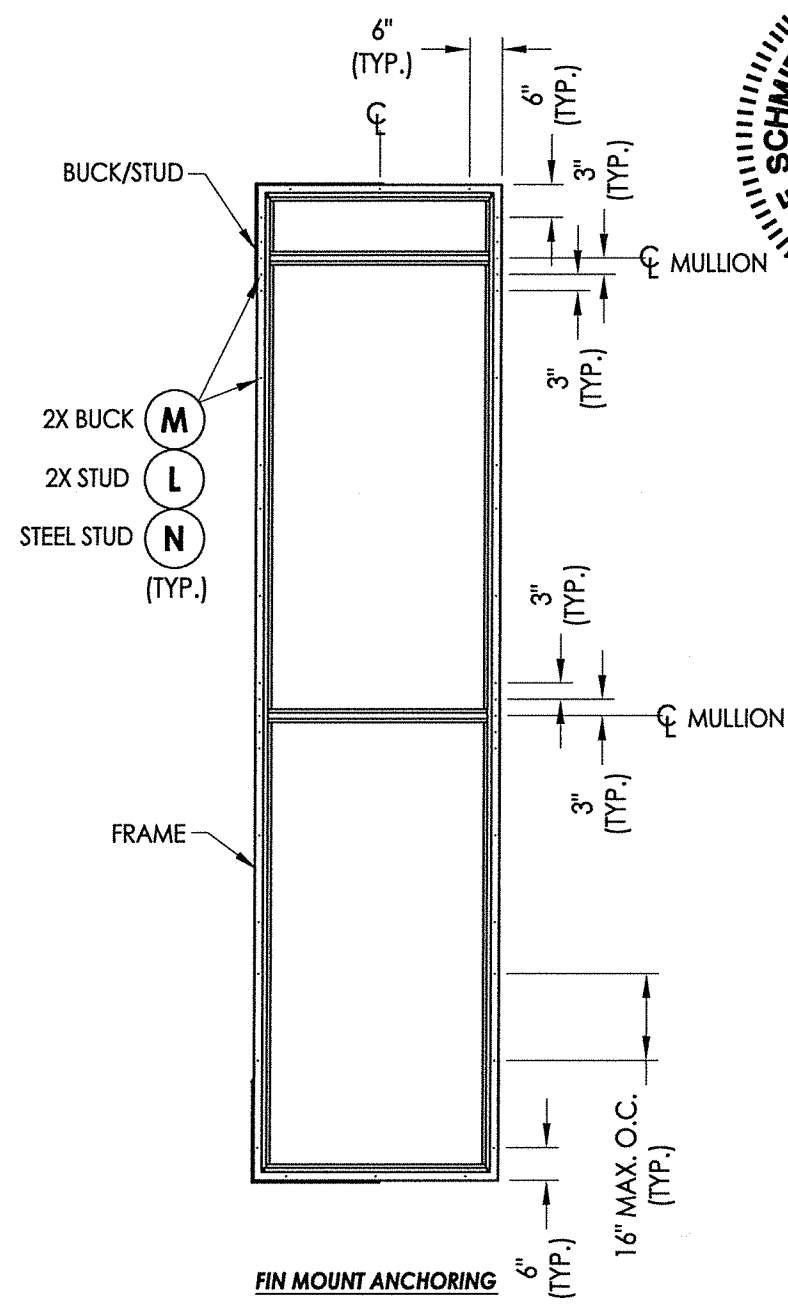
DATE: 6/27/16
 SCALE: N.T.S.
 DWG. BY: JK
 CHK. BY: LFS
 DRAWING NO.: FL-16925.5
 SHEET 4 OF 7



BUCK ANCHORING



FRAME MOUNT ANCHORING



FIN MOUNT ANCHORING

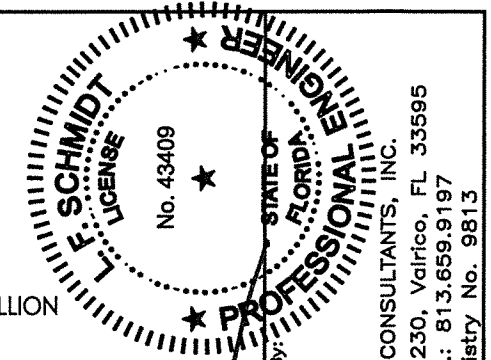
CONCRETE ANCHOR NOTES:

1. Concrete anchor locations at the corners may be adjusted to maintain the min. edge distance to mortar joints.
2. Concrete anchor locations noted as "MAX. ON CENTER" must be adjusted to maintain the min. edge distance to mortar joints, additional concrete anchors may be required to ensure the "MAX. ON CENTER" dimension are not exceeded.
3. Concrete anchor table:

ANCHOR TYPE	ANCHOR SIZE	MIN. EMBEDMENT	MIN. CLEARANCE TO MASONRY EDGE	MIN. CLEARANCE TO ADJACENT ANCHOR
ITW TAPCON®	1/4"	1-1/4"	2"	4"
DeWALT ULTRACON+	1/4"	1-1/4"	1"	4"

WOOD SCREW INSTALLATION NOTES:

1. Maintain a minimum 5/8" edge distance, 1" end distance, & 1" o.c. spacing of wood screws to prevent the splitting of wood.



August 10, 2020
 Documents Prepared By:
 Lyndon F. Schmidt
 P.E. No. 43409

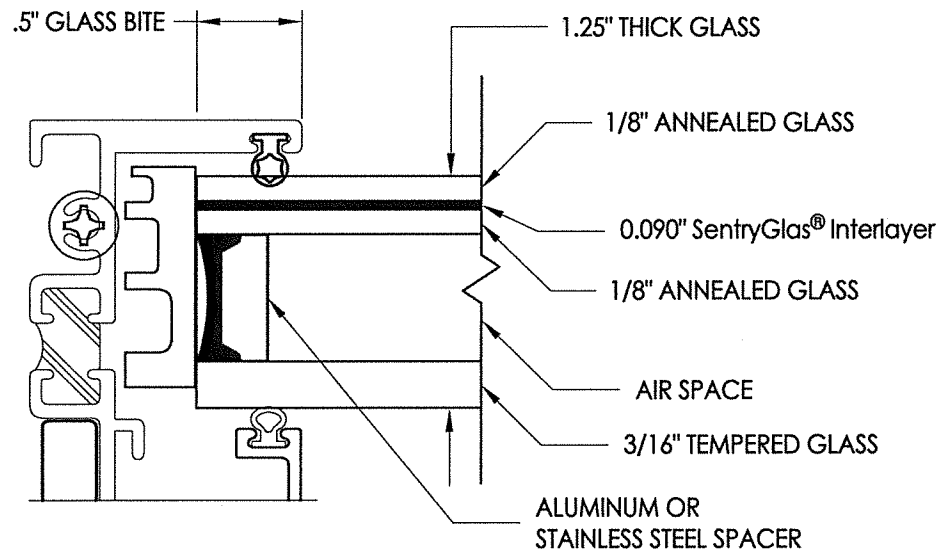
R.W. BUILDING CONSULTANTS, INC.
 P.O. Box 230, Vairico, FL 33595
 Phone No.: 813.659.9197
 FBPE Registry No. 9813

PRODUCT: FLEETWOOD WINDOWS & DOORS
 PART OR ASSEMBLY: TYPICAL ELEVATION, DESIGN PRESSURES & GENERAL NOTES

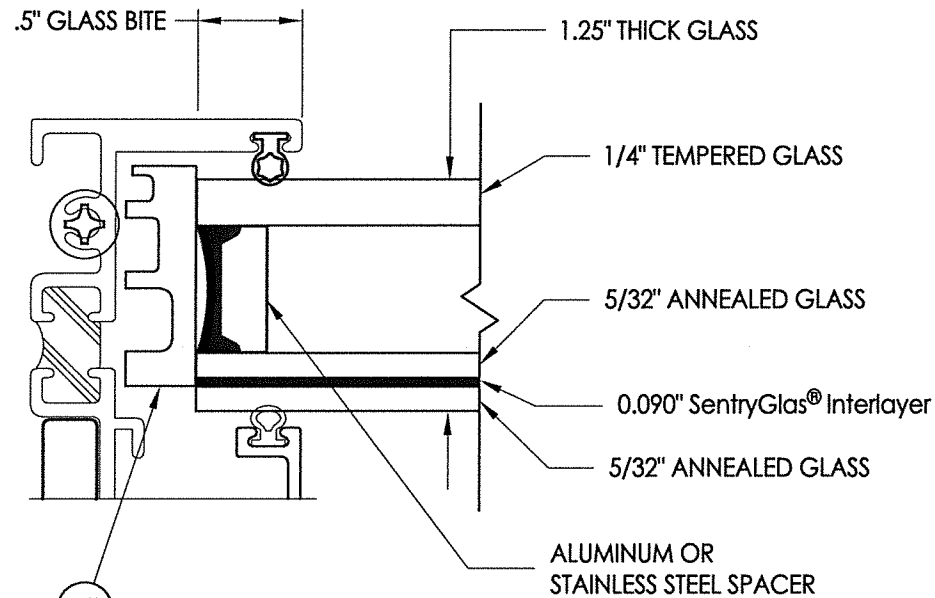
NO.	DATE	REVISIONS
3	8/10/20	UPDATE TO 7TH ED. (2020) FBC DAC
2	08/03/17	UPDATE TO 6TH ED. (2017) FBC LFS
1	08/22/16	REVISE SERIES NAME JK

DATE: 6/27/16
 SCALE: N.T.S.
 DWG. BY: JK
 CHK. BY: LFS
 DRAWING NO.: FL-16925.5
 SHEET 5 OF 7

\\dc01\rvbc\Clients\Fleetwood PERMANENTVA - Florida Product Approvals\FL-16925 Fixed Windows\C - Drawings\FL 16925 (2020)\FL-16925.5.dwg

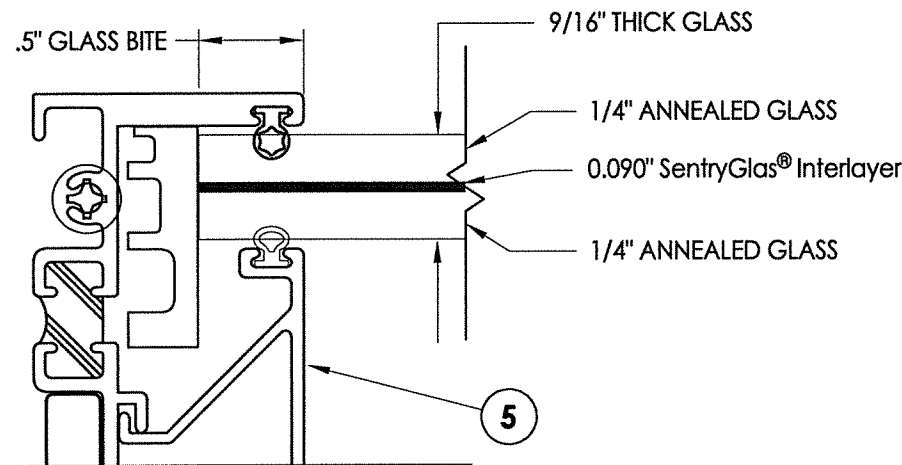


G4 GLAZING DETAIL

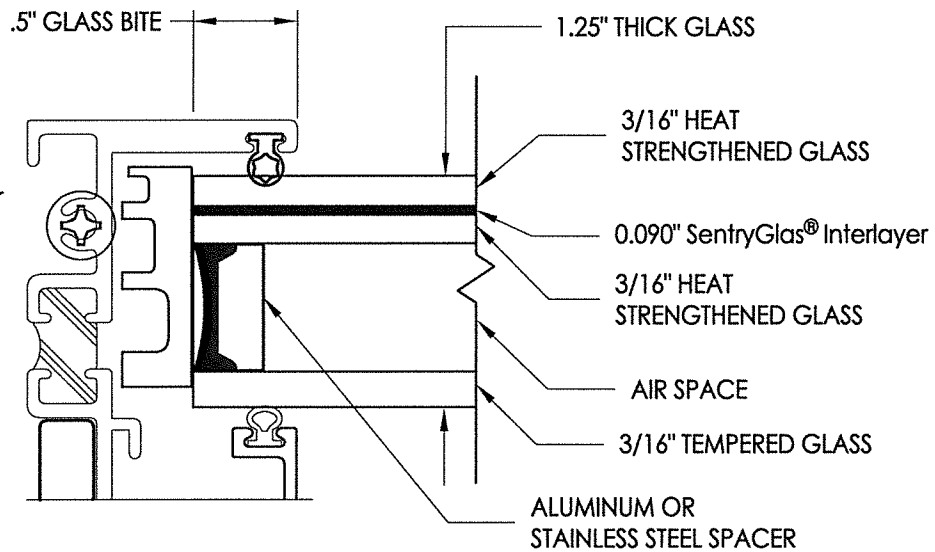


G5 GLAZING DETAIL
55 (TYP.)

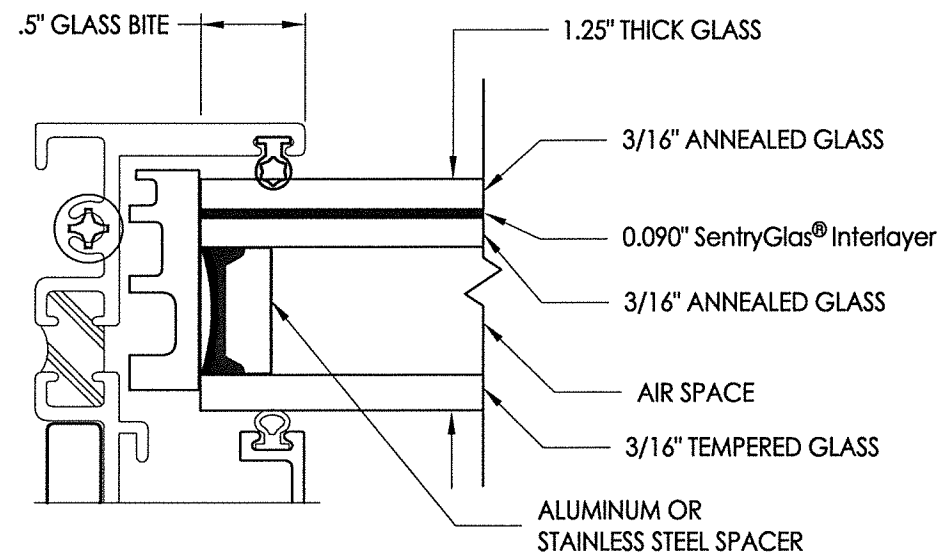
NOTE: GLAZING > 36" WIDE REQUIRES AT LEAST TWO (2) SETTING BLOCKS CONFORMING TO FBC SECTION 2411.3.3.1.



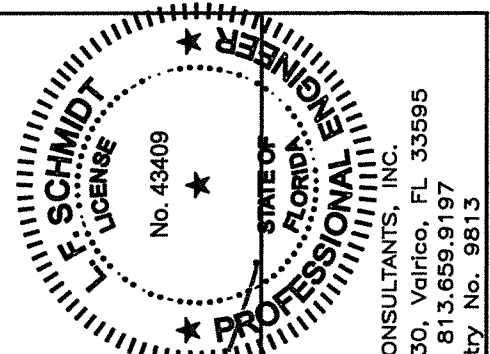
G1 GLAZING DETAIL



G2 GLAZING DETAIL



G3 GLAZING DETAIL



August 10, 2020
 Documents Prepared By:
 Lyndon F. Schmidt
 P.E. No. 43409
 RW BUILDING CONSULTANTS, INC.
 P.O. Box 230, Valrico, FL 33595
 Phone No.: 813.659.9197
 FBPE Registry No. 9813

PRODUCT:	FLEETWOOD WINDOWS & DOORS
PART OR ASSEMBLY:	GLAZING DETAILS

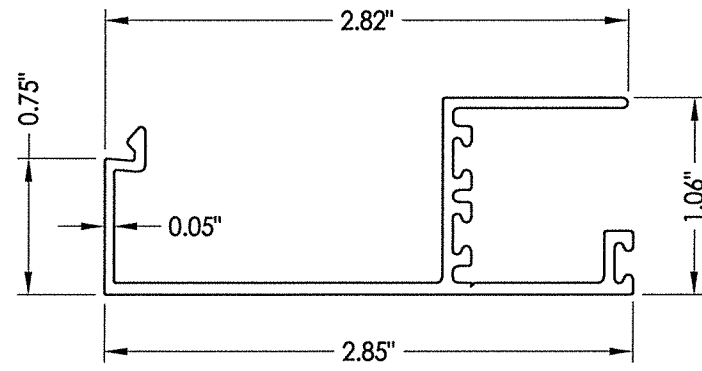
NO.	DATE	REVISIONS
3	8/10/20	UPDATE TO 7th ED. (2020) FBC DAC
2	08/03/17	UPDATE TO 6TH ED. (2017) FBC LFS
1	08/22/16	REVISE SERIES NAME JK

DATE:	6/27/16
SCALE:	N.T.S.
DWG. BY:	JK
CHK. BY:	LFS
DRAWING NO.:	FL-16925.5
SHEET	6 OF 7

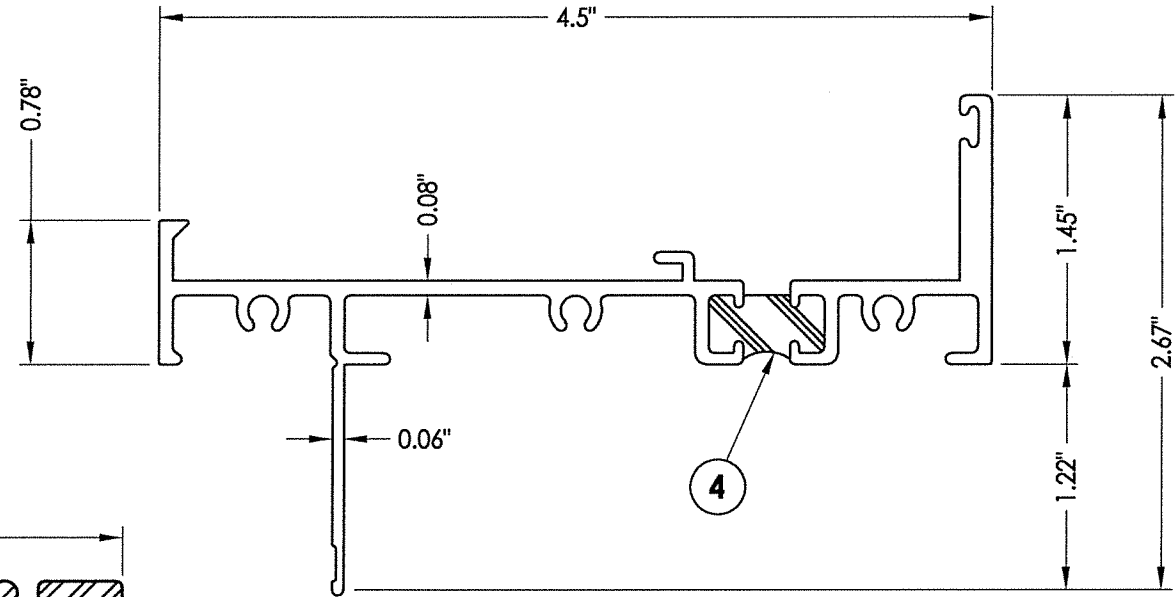
© 2016 R.W. BUILDING CONSULTANTS INC.

\\dc01\pwb\clients\Fleetwood PERMANENTA - Florida Product Approvals\FL-16925 Fixed Windows\C - Drawings\FL-16925.5.dwg

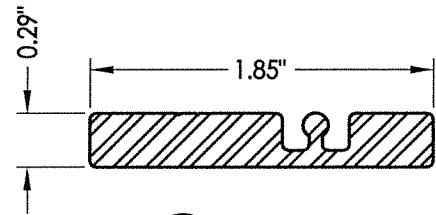
BILL OF MATERIALS		
ITEM #	DESCRIPTION	MATERIAL
A	1X BUCK SG >= 0.55	WOOD
B	2X BUCK SG >= 0.55	WOOD
C	1/4" MAX. SHIM SPACE	-
D	1/4" X 2-3/4" DeWALT OR ITW PFH CONCRETE SCREW	STEEL
E	MASONRY - 3000 PSI MIN. CONCRETE CONFORMING TO ACI 301 OR HOLLOW BLOCK CONFORMING TO ASTM C90	CONCRETE
F	#10 X 2" PFH WOOD SCREW (1-1/4" MIN. EMBEDMENT)	STEEL
G	1/4" x 2-1/4" DeWALT OR ITW PFH CONCRETE SCREW	STEEL
K	#10 FH SELF-DRILLING SMS	STEEL
L	#10 X 2" PPH WOOD SCREW (1-3/8" MIN. EMBEDMENT)	STEEL
M	#10 X 1-1/2" PPH WOOD SCREW (1-3/8" MIN. EMBEDMENT)	STEEL
N	#10 PH SELF-DRILLING SMS	STEEL
X	STEEL STUD Min. Thk .033" (ASTM A653 GRADE 33 Fy=33 Ksi Min, Fu=45 Ksi Min)	STEEL
1	KONA FIN BLOCK FRAME	6063-T6 ALUM
2	KONA BLOCK FRAME	6063-T6 ALUM
3	GLASS STOP (1-1/4")	6063-T6 ALUM
4	THERMAL BREAK ("LIQUID POLYURETHANE" by Azon USA, Inc.)	-
5	GLASS STOP (1-1/4")	6063-T6 ALUM
6	MULLION	6063-T6 ALUM
11	#8 X 1-1/2" PFH SMS	STEEL
12	SHEAR BLOCK	6061-T6 ALUM
40	#10 X 1" PPH SMS	STEEL
50	BULB VINYL (EPDM 70 DUROMETER) - TREMCO	-
51	MINI BULB VINYL (EPDM 70 DUROMETER) - TREMCO	-
55	SETTING BLOCK	-



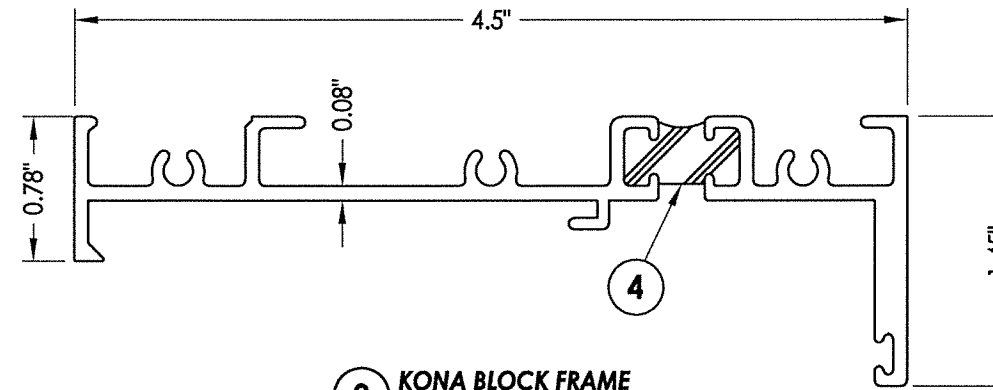
3 GLASS STOP 1-1/4"



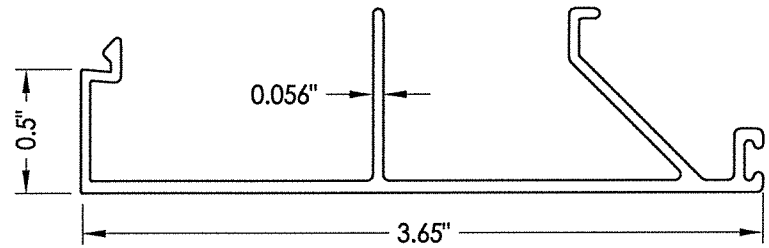
1 KONA FIN BLOCK FRAME



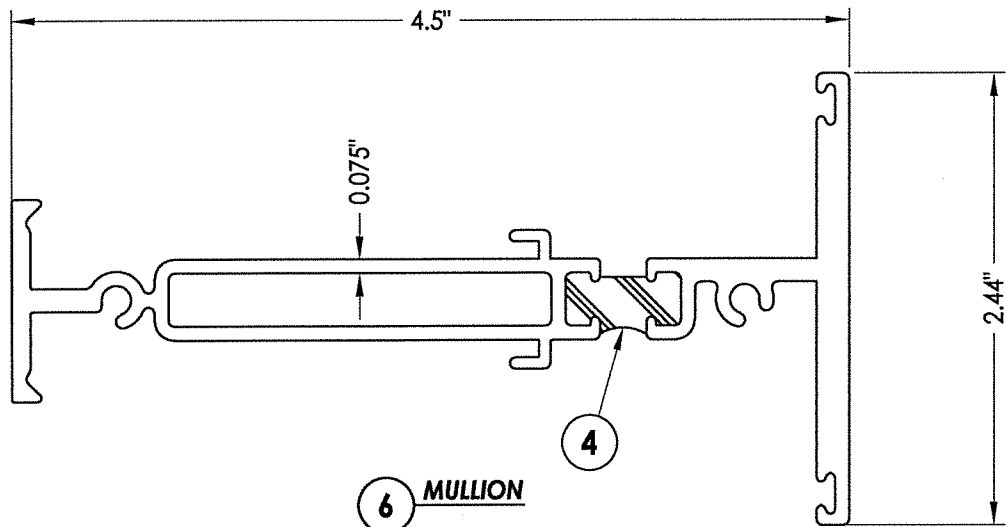
12 SHEAR BLOCK



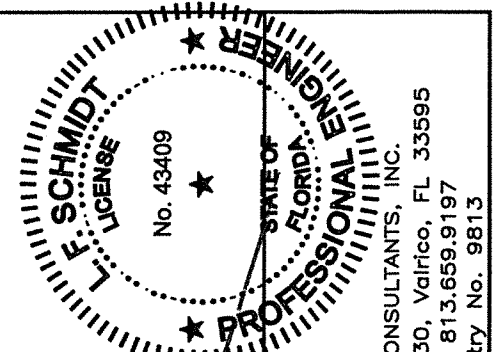
2 KONA BLOCK FRAME



5 GLASS STOP 9/16"



6 MULLION



August 10, 2020
 Documents Prepared By:
 Lyndon F. Schmidt
 P.E. No. 43409
 R.W. BUILDING CONSULTANTS, INC.
 P.O. Box 230, Valrico, FL 33595
 Phone No.: 813.659.9197
 FBPE Registry No. 9813

PRODUCT: FLEETWOOD WINDOWS & DOORS
 PART OR ASSEMBLY: BILL OF MATERIALS AND COMPONENTS

NO.	DATE	REVISIONS
3	8/10/20	UPDATE TO 7th ED. (2020) FBC DAC
2	08/03/17	UPDATE TO 6TH ED. (2017) FBC LFS
1	08/22/16	REVISE SERIES NAME JK
		BY

DATE: 6/27/16
 SCALE: N.T.S.
 DWG. BY: JK
 CHK. BY: LFS
 DRAWING NO.: FL-16925.5
 SHEET 7 OF 7