



Series 3800-T

Aluminum Fixed Window

w/ Thermal Break Frame

"IMPACT"

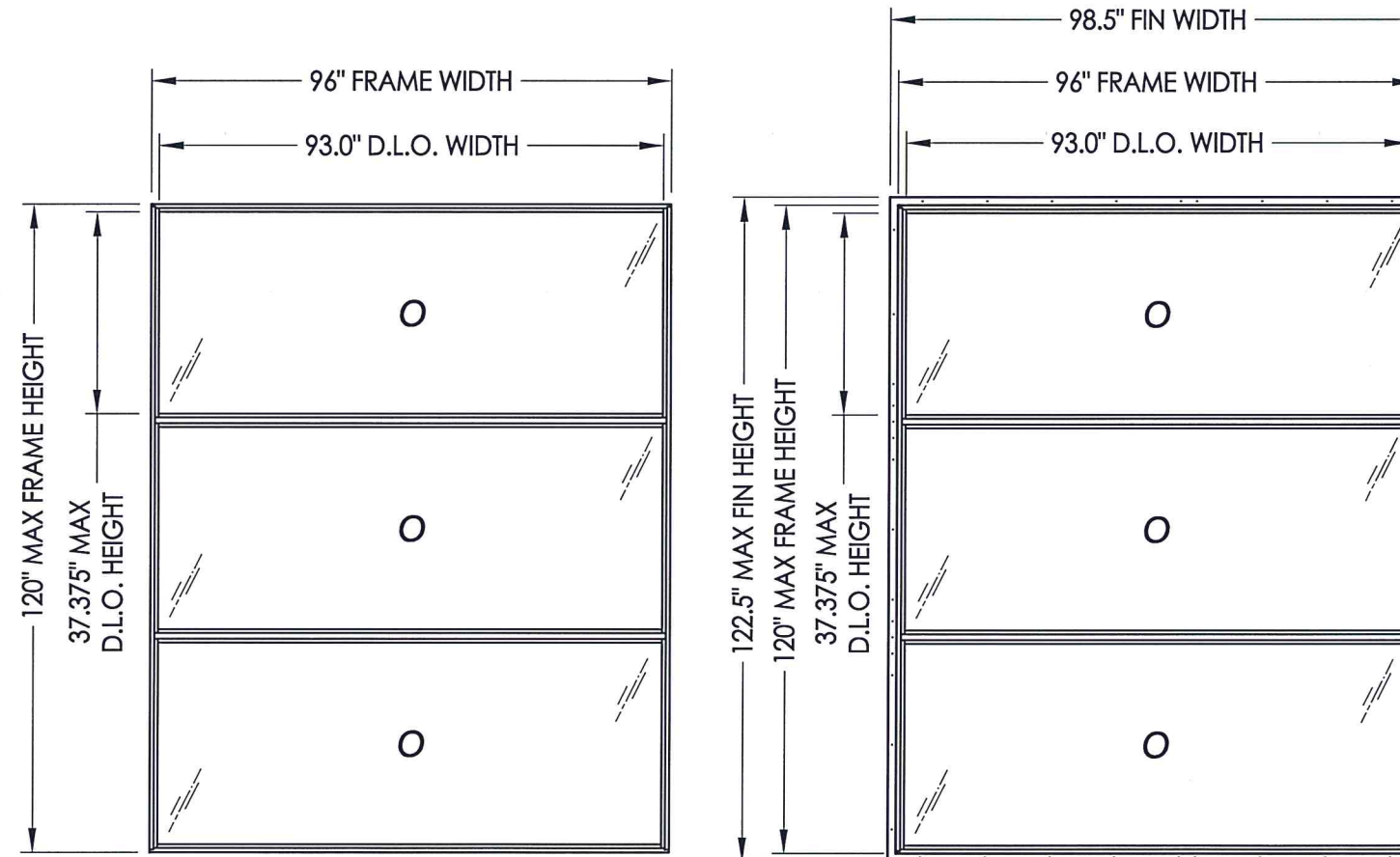


August 10, 2020
 Documents Prepared By:
 Lyndon F. Schmidt
 P.E. No. 43409

R.W.
 BUILDING CONSULTANTS, INC.
 P.O. Box 230, Valrico, FL 33595
 Phone No.: 813.659.9197
 FBPE Registry No. 9813

GENERAL NOTES

- This product has been evaluated and is in compliance with the 7th Edition (2020) Florida Building Code (FBC) structural requirements including the "High Velocity Hurricane Zone" (HVHZ).
- Product anchors shall be as listed and spaced as shown on details. Anchor embedment to base material shall be beyond wall dressing or stucco.
- When used in the "HVHZ" this product complies with Section 1626 of the Florida Building Code and does not require an impact resistant covering.
- When used in areas outside of the "HVHZ" requiring wind borne debris protection this product complies with FBC Sections 1609.1.2 & R301.2.1.2 and does not require an impact resistant covering. This product meets missile level "D" and includes Wind Zone 4 as defined in ASTM E 1996 and FBC Sections 1609.1.2.2 & R301.2.1.2.1.
- For 2x stud framing construction, anchoring of these units shall be the same as that shown for 2x buck masonry construction.
- Site conditions that deviate from the details of this drawing require further engineering analysis by a licensed engineer or registered architect.
- This product meets water infiltration requirements for "HVHZ".
- Gaskets and setting blocks shall comply with FBC Section 2411.3.4.
- Aluminum components, including fasteners, shall meet the requirements of FBC Section 2003.



FRAME MOUNT

FIN MOUNT

OVERALL FIN DIMENSION	OVERALL FRAME DIMENSION	OVERALL D.L.O. DIMENSION	GLASS TYPE	DESIGN PRESSURE (PSF)	
				POSITIVE	NEGATIVE
98.5" X 122.5"	96.0" X 120.0"	93.0" X 37.375"	G1, G2, G3, G4, G5	+65.0	-65.0

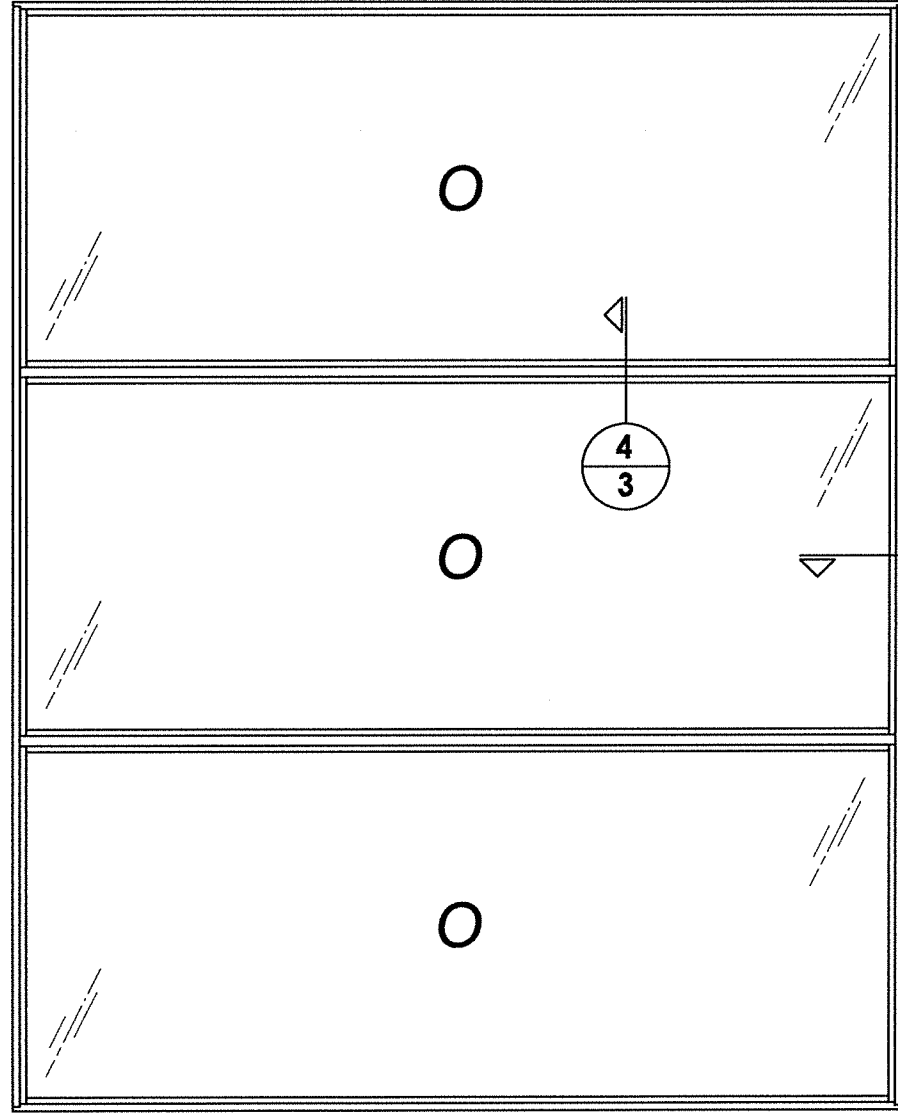
TABLE OF CONTENTS	
SHEET#	DESCRIPTION
1	Typical elevations, design pressures and general notes
2	Elevations
3	Horizontal cross sections
4	Horizontal cross sections
5	Buck anchoring
6	Frame anchoring
7	Glazing details
8	Bill of materials and components

PRODUCT:	
DAC	FLEETWOOD WINDOWS AND DOORS
LFS	
JK	PART OR ASSEMBLY:
JK	TYPICAL ELEVATION, DESIGN PRESSURES & GENERAL NOTES
BY	

NO.	DATE	REVISIONS
4	8/10/20	UPDATE TO 7TH ED. (2020) FBC
3	08/03/17	UPDATE TO 6TH ED. (2017) FBC
2	08/22/16	REVISE SERIES NAME
1	04/22/15	UPDATE TO 5TH ED. (2014) FBC

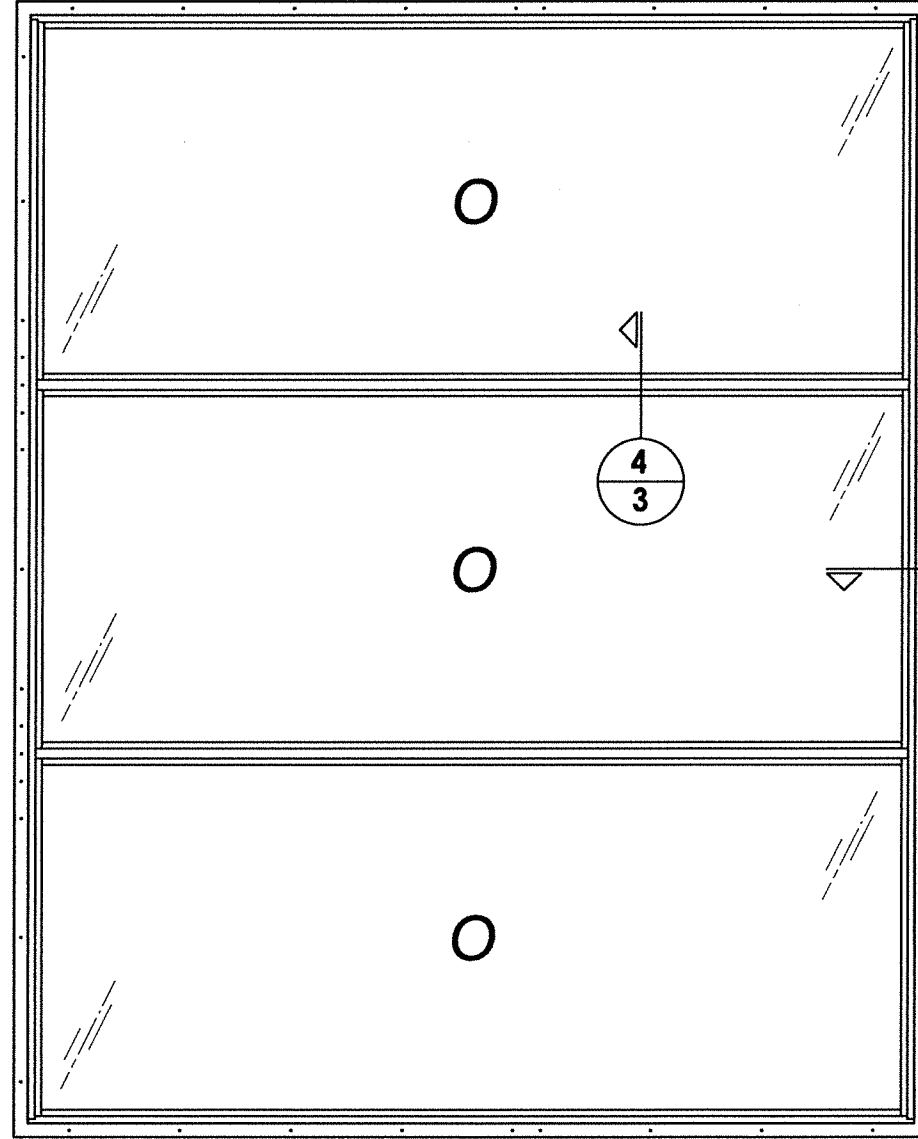
DATE: 2/26/14
 SCALE: N.T.S.
 DWG. BY: JK
 CHK. BY: LFS
 DRAWING NO.: FL-16925.3
 SHEET 1 OF 8

\\dc01\wbc\Clients\Fleetwood PERMANENTVA - Florida Product Approvals\FL-16925 Fixed WindowsC - Drawings\FL 16925 (2020)\FL-16925.1-3.dwg



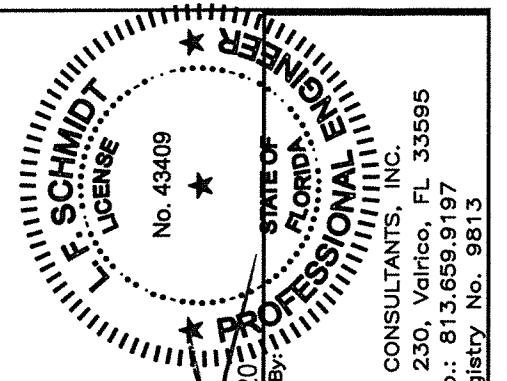
FIN MOUNT

- 1
- 4
- 2
- 4
- 3
- 4
- 4
- 4



FRAME MOUNT

- 1
- 3
- 2
- 3
- 3
- 3

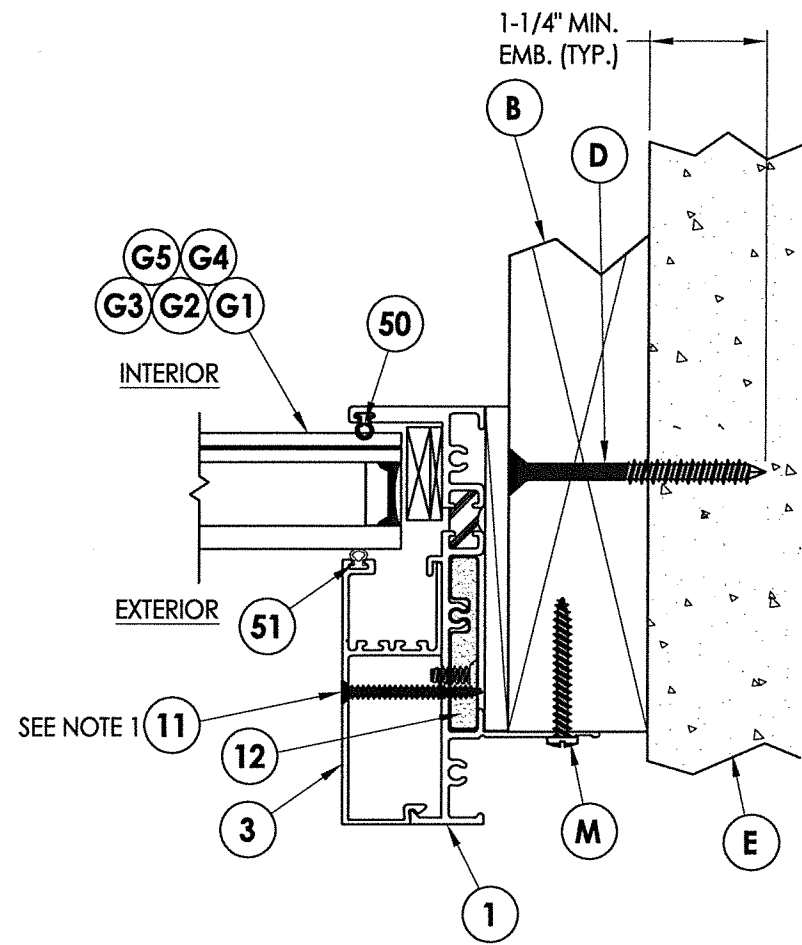


August 10, 2020
 Documents Prepared By:
 Lyndon F. Schmidt
 P.E. No. 43409
 R.W. BUILDING CONSULTANTS, INC.
 P.O. Box 230, Valrico, FL 33595
 Phone No.: 813.659.9197
 FBPE Registry No. 9813

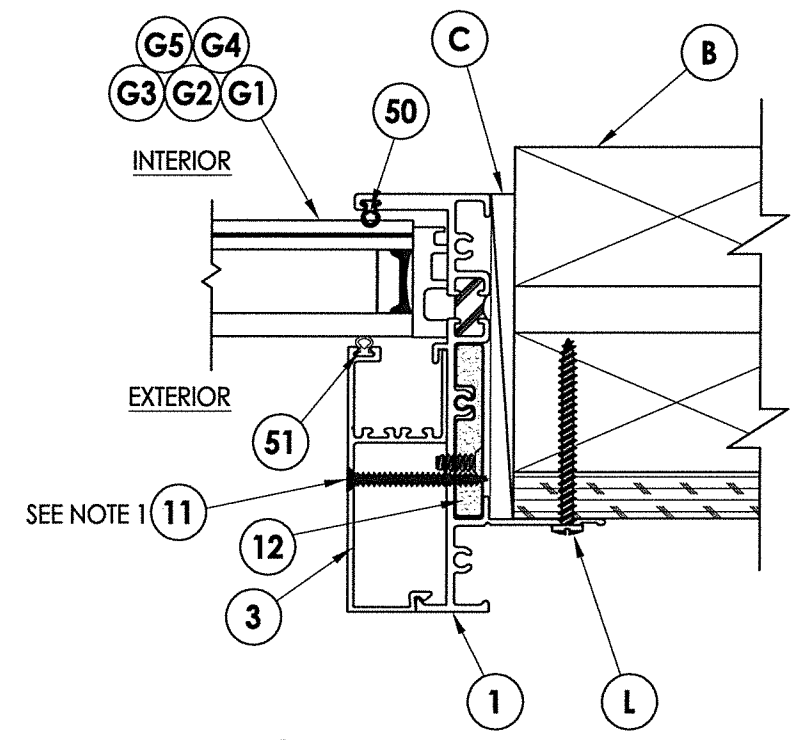
PRODUCT:		FLEETWOOD WINDOWS AND DOORS	
PART OR ASSEMBLY:		ELEVATIONS	
NO.	DATE	REVISIONS	
4	8/10/20	UPDATE TO 7th ED. (2020) FBC	DAC
3	08/03/17	UPDATE TO 6TH ED. (2017) FBC	LFS
2	08/22/16	REVISE SERIES NAME	JK
1	04/22/15	UPDATE TO 5TH ED. (2014) FBC	JK
			BY

DATE: 2/26/14
 SCALE: N.T.S.
 DWG. BY: JK
 CHK. BY: LFS
 DRAWING NO.:
 FL-16925.3
 SHEET 2 OF 8

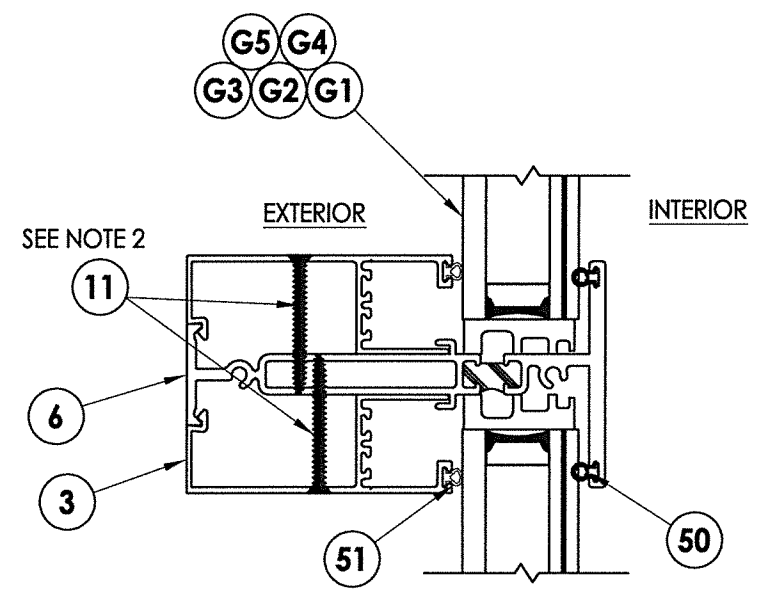
\\dc011\work\clients\fleetwood\PERMANENT.A - Florida Product Approvals\EL-16925_Eived.Windows.C - Drawings\EL_16925_1-3.dwg



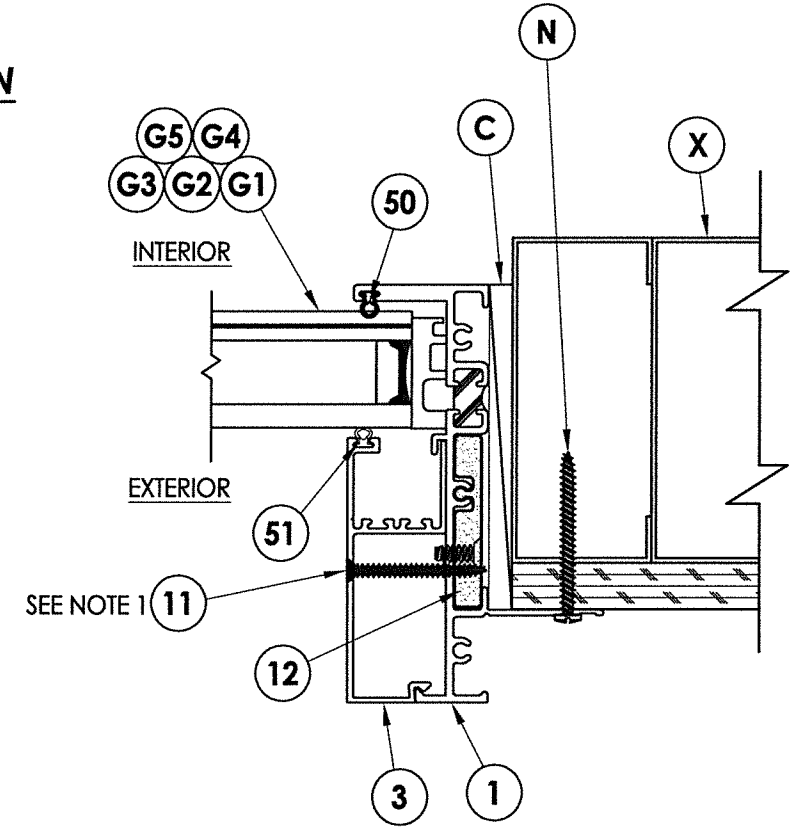
1 HORIZONTAL CROSS SECTION
3 Shown w/ 2X Buck option



2 HORIZONTAL CROSS SECTION
3 Shown w/ 2X Stud option



4 HORIZONTAL CROSS SECTION
3



3 HORIZONTAL CROSS SECTION
3 Shown w/ Steel Stud option

NOTE: Sheet Metal Screws must penetrate a min. of 3 threads completely through metal stud. Maintain 1/2" min. edge distance.

- NOTES:
- Item #11 located 6" from each end and one in center along jambs (3 total).
 - Item #11 located 5" from each end and at 12" o.c. thereafter along mullions (8 total each face).

August 10, 2020
 Documents Prepared By:
 Lyndon F. Schmidt
 P.E. No. 43409

RW
 BUILDING CONSULTANTS, INC.
 P.O. Box 230, Valrico, FL 33595
 Phone No.: 813.659.9197
 FBPE Registry No. 9813

PRODUCT:		FLEETWOOD WINDOWS AND DOORS			
PART OR ASSEMBLY:		HORIZONTAL CROSS SECTIONS			
NO.	DATE	BY	REVISIONS		
4	8/10/20	DAC	UPDATE TO 7th ED. (2020)	FBC	
3	08/03/17	LFS	UPDATE TO 6TH ED. (2017)	FBC	
2	08/22/16	JK	REVISE SERIES NAME		
1	04/22/15	JK	UPDATE TO 5TH ED. (2014)	FBC	

DATE: 2/26/14

SCALE: N.T.S.

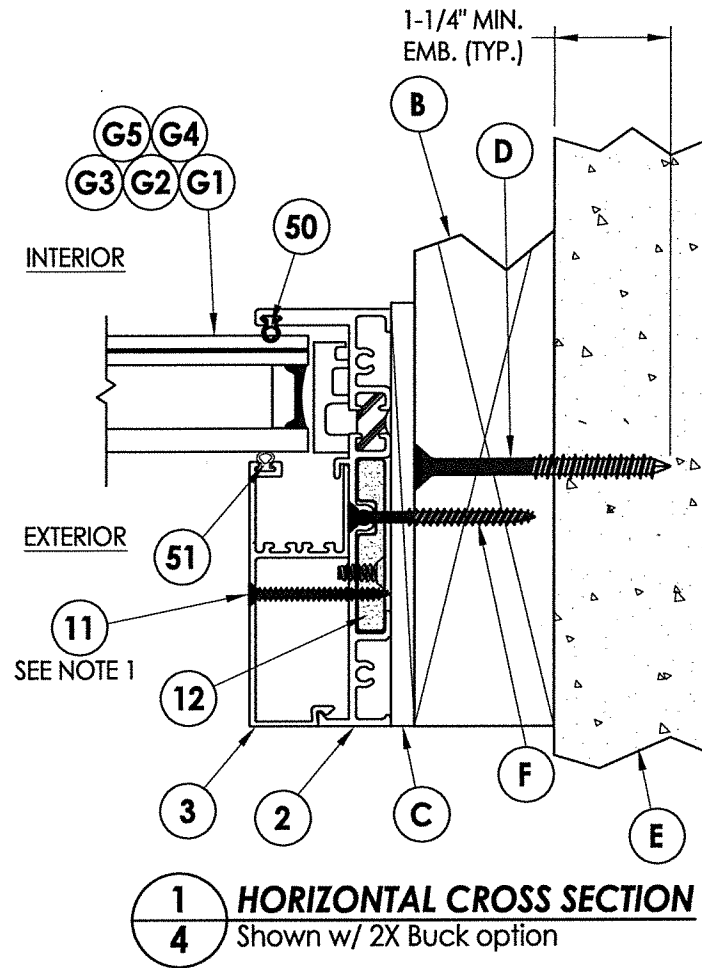
DWG. BY: JK

CHK. BY: LFS

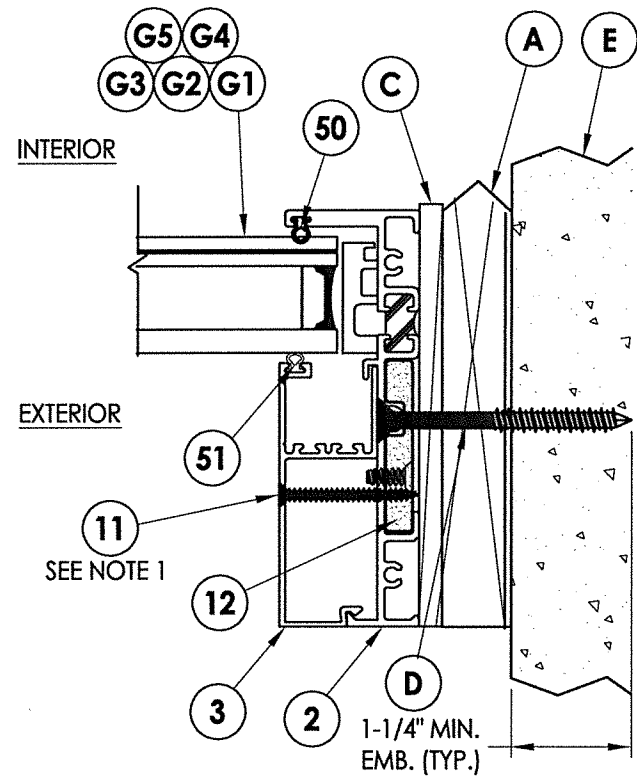
DRAWING NO.: FL-16925.3

SHEET 3 OF 8

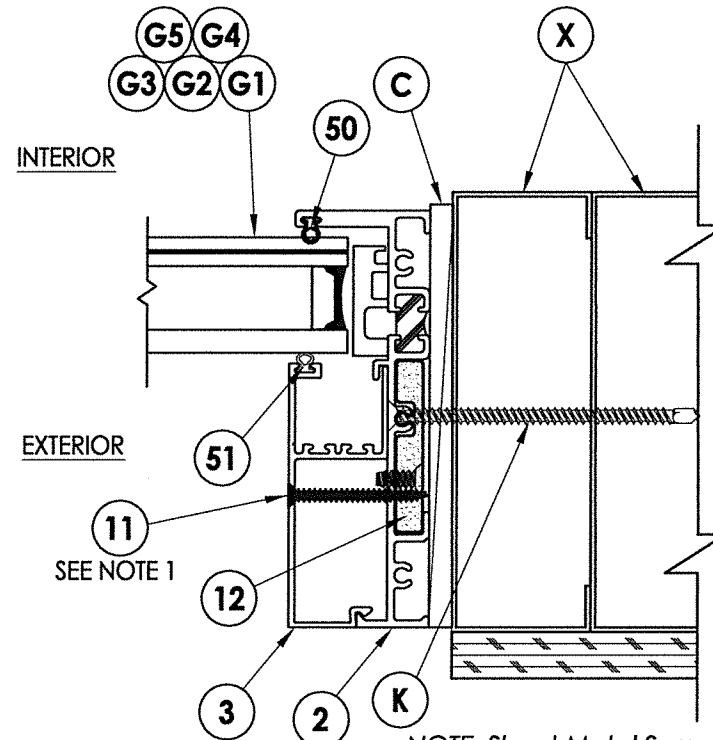
\\ac01\pbc\Clients\Fleetwood PERMANENTVA - Florida Product Approvals\FL-16925 Fixed Windows\C - Drawings\FL 16925 (2020)\FL-16925.1-3.dwg



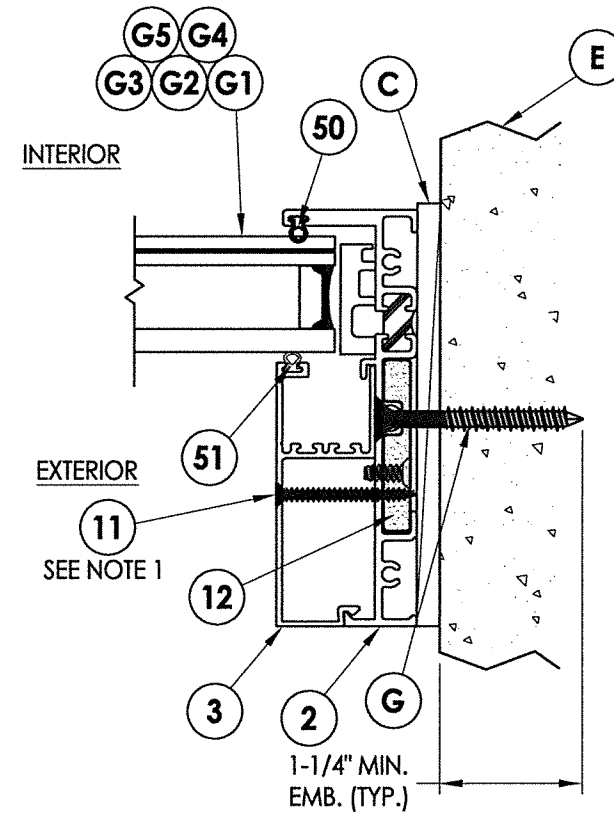
1 HORIZONTAL CROSS SECTION
4 Shown w/ 2X Buck option



2 HORIZONTAL CROSS SECTION
4 Shown w/ 1X Sub buck option



3 HORIZONTAL CROSS SECTION
4 Shown w/ Steel Stud option



4 HORIZONTAL CROSS SECTION
4 Shown w/ Direct to Masonry option

NOTE: Sheet Metal Screws must penetrate a min. of 3 threads through at least two (2) sheets of metal. Maintain a minimum 1/2" edge distance.

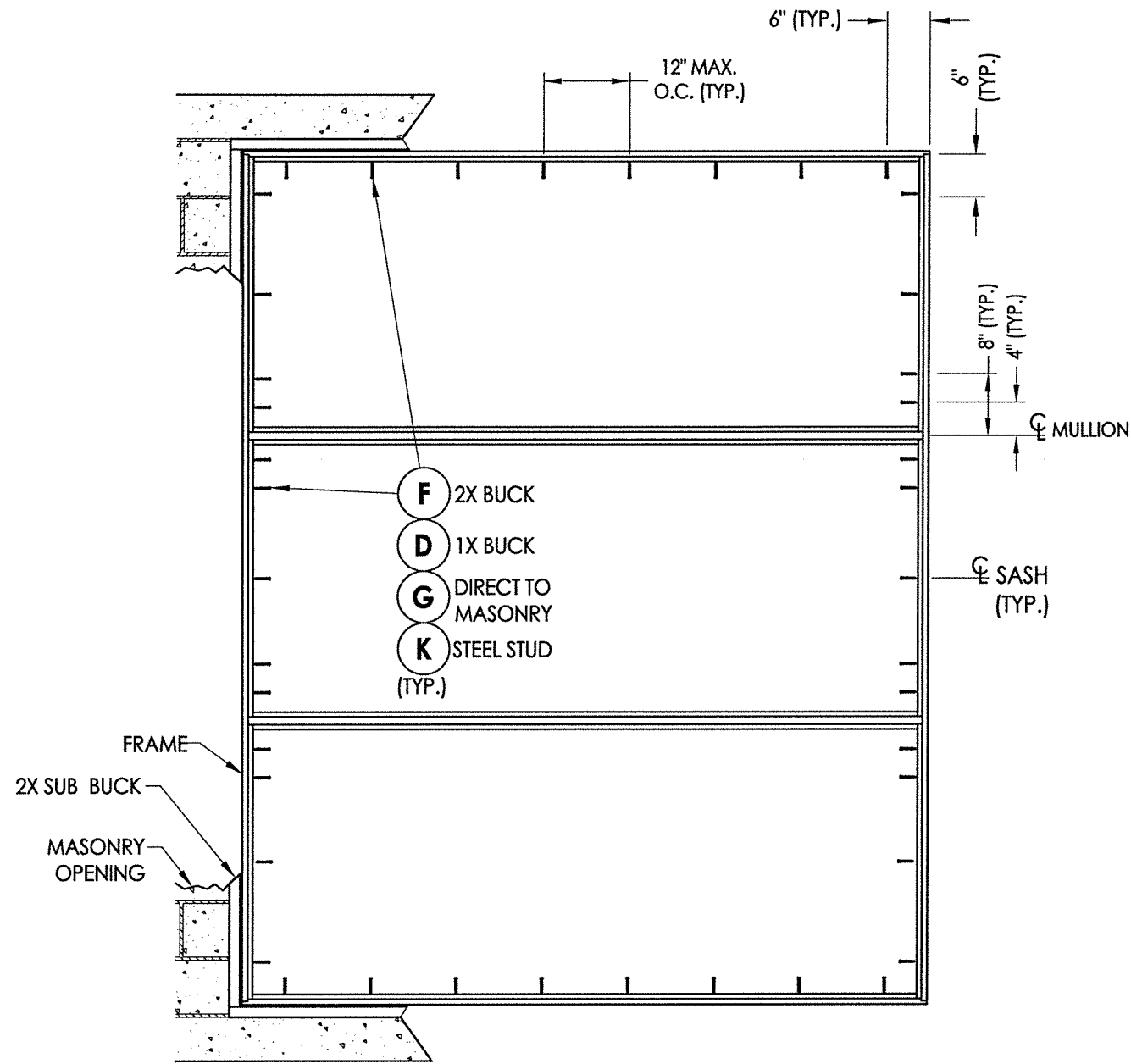
NOTES:
1. Item #11 located 6" from each end and one in center along jambs (3 total).

August 10, 2020
 Documents Prepared By:
 Lyndon F. Schmidt
 P.E. No. 43409
 F. SCHMIDT
 LICENSE
 No. 43409
 STATE OF
 FLORIDA
 PROFESSIONAL ENGINEER
 R.W.
 BUILDING CONSULTANTS, INC.
 P.O. Box 230, Valrico, FL 33595
 Phone No.: 813.659.9197
 FBPE Registry No. 9813

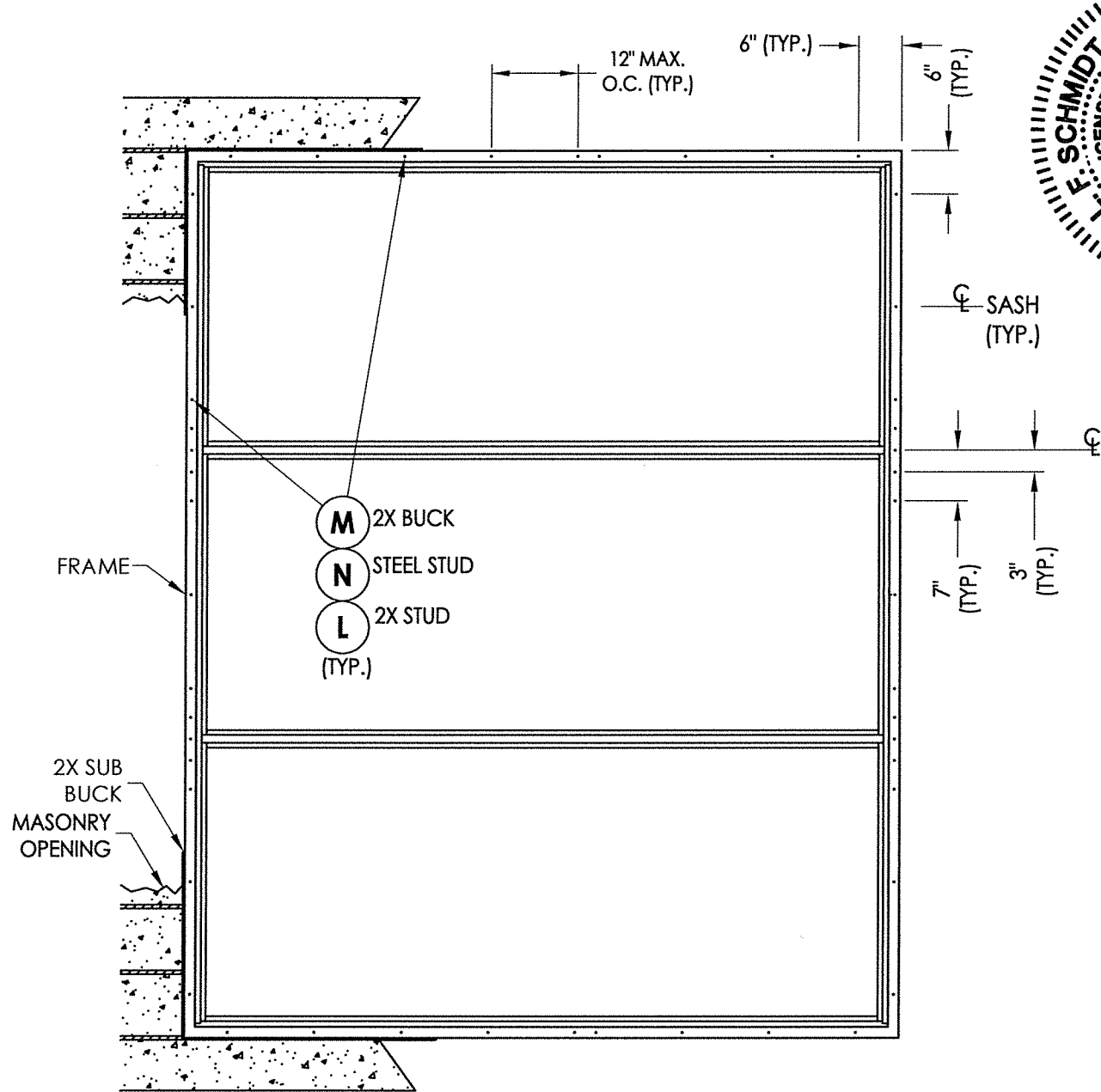
PRODUCT:		FLEETWOOD WINDOWS AND DOORS	
PART OR ASSEMBLY:		HORIZONTAL CROSS SECTIONS	
NO.	DATE	REVISIONS	BY
4	8/10/20	UPDATE TO 7th ED. (2020) FBC	DAC
3	08/03/17	UPDATE TO 6TH ED. (2017) FBC	LFS
2	08/22/16	REVISE SERIES NAME	JK
1	04/22/15	UPDATE TO 5TH ED. (2014) FBC	JK
DATE: 2/26/14			
SCALE: N.T.S.			
DWG. BY: JK			
CHK. BY: LFS			
DRAWING NO.: FL-16925.3			
SHEET 4 OF 8			

© 2014 R.W. BUILDING CONSULTANTS INC.

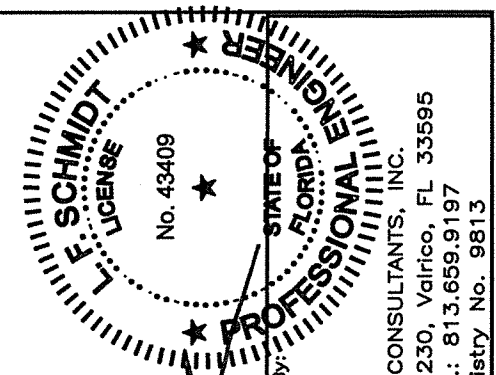
\\dc01\rbcc\clients\Fleetwood PERMANENTVA - Florida Product Approvals\FL-16925 Fixed Windows\C - Drawings\FL 16925 (2020)\FL-16925.1-3.dwg



FRAME MOUNT ANCHORING



FIN MOUNT ANCHORING



August 10, 2020
 Documents Prepared By:
 Lyndon F. Schmidt
 P.E. No. 43409
 R.W. BUILDING CONSULTANTS, INC.
 P.O. Box 230, Valrico, FL 33595
 Phone No.: 813.659.9197
 FBPE Registry No. 9813

CONCRETE ANCHOR NOTES:

1. Concrete anchor locations at the corners may be adjusted to maintain the min. edge distance to mortar joints.
2. Concrete anchor locations noted as "MAX. ON CENTER" must be adjusted to maintain the min. edge distance to mortar joints, additional concrete anchors may be required to ensure the "MAX. ON CENTER" dimension are not exceeded.
3. Concrete anchor table:

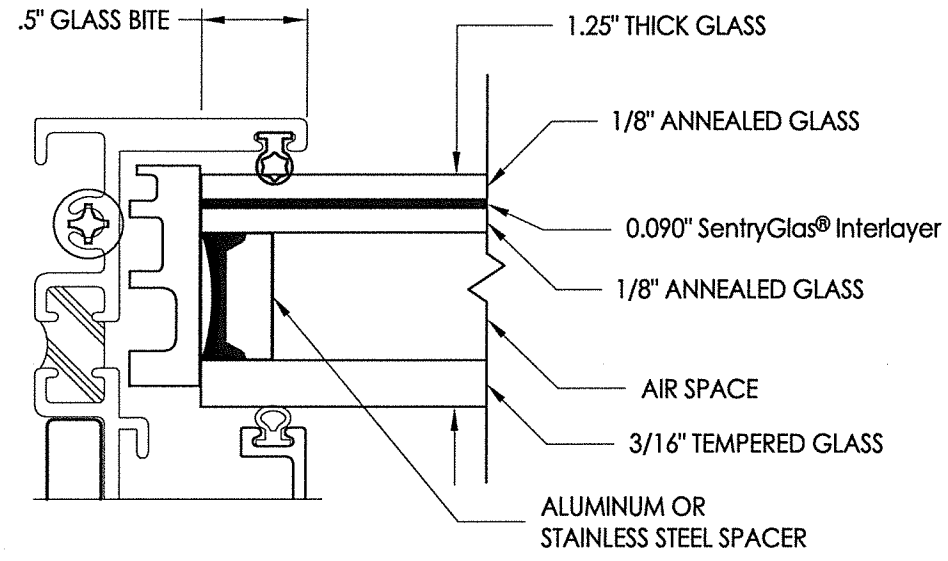
ANCHOR TYPE	ANCHOR SIZE	MIN. EMBEDMENT	MIN. CLEARANCE TO MASONRY EDGE	MIN. CLEARANCE TO ADJACENT ANCHOR
ITW TAPCON®	1/4"	1-1/4"	2"	4"
DeWALT ULTRACON®	1/4"	1-1/4"	1"	4"

WOOD SCREW INSTALLATION NOTES:

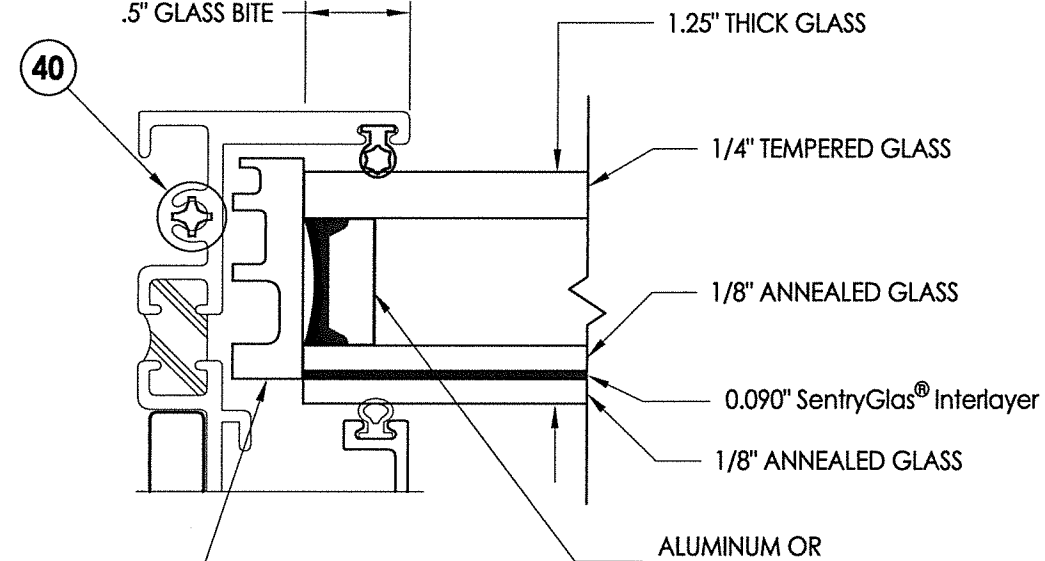
1. Maintain a minimum 5/8" edge distance, 1" end distance, & 1" o.c. spacing of wood screws to prevent the splitting of wood.

PRODUCT:		FLEETWOOD WINDOWS AND DOORS	
PART OR ASSEMBLY:		FRAME ANCHORING	
NO.	DATE	REVISIONS	BY
4	8/10/20	UPDATE TO 7TH ED. (2020)	DAC
3	08/03/17	UPDATE TO 6TH ED. (2017)	FBC
2	08/22/16	REVISE SERIES NAME	LFS
1	04/22/15	UPDATE TO 5TH ED. (2014)	FBC
DATE: 2/26/14		SCALE: N.T.S.	
DWG. BY: JK		CHK. BY: LFS	
DRAWING NO.: FL-16925.3		SHEET 6 OF 8	

\\c01\work\Clients\Eleetwood_PERMANENT\A - Florida Product Approvals\EL-16925 Fixed Windows\C - Drawings\EL_16925_1-3.dwg

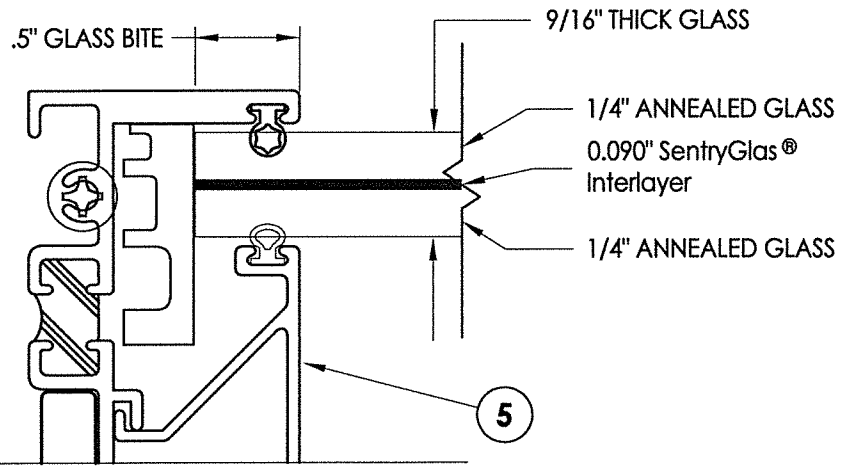


G4 GLAZING DETAIL

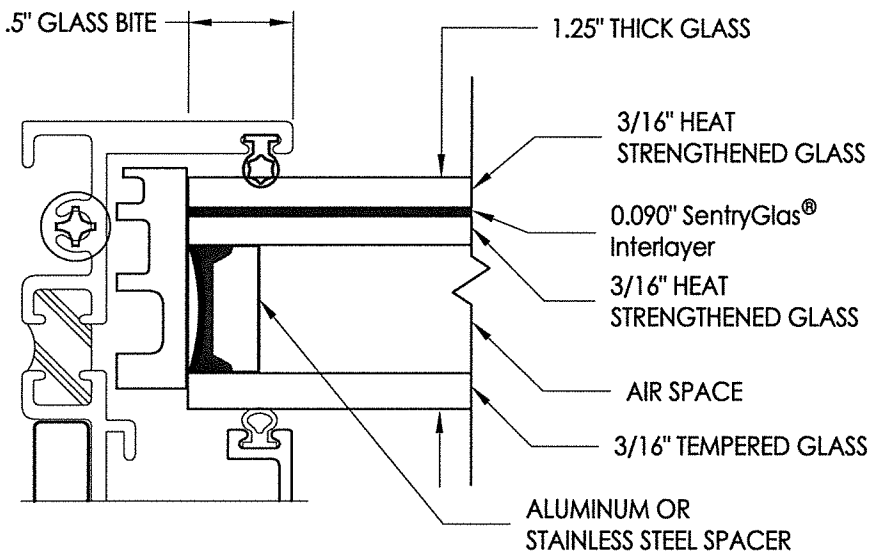


G5 GLAZING DETAIL

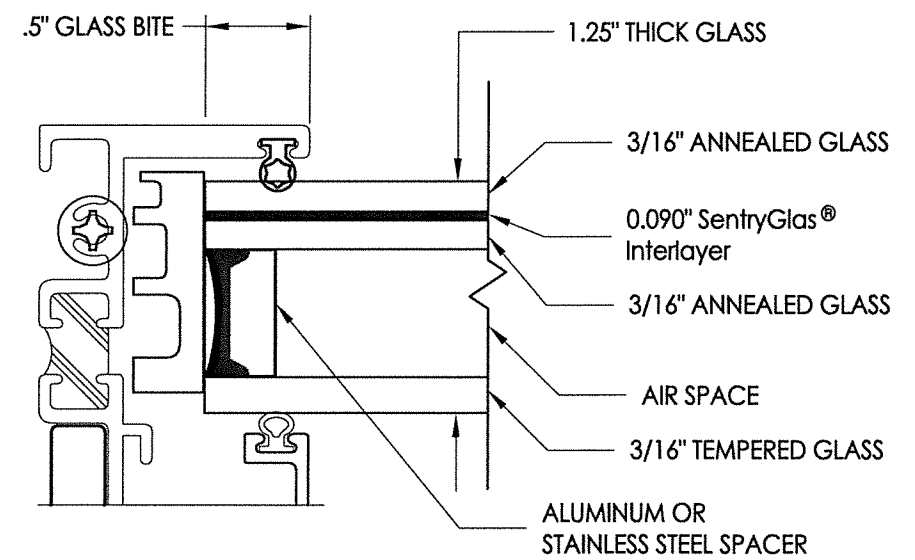
NOTE: GLAZING > 36" WIDE REQUIRES AT LEAST TWO (2) SETTING BLOCKS CONFORMING TO FBC SECTION 2411.3.3.1.



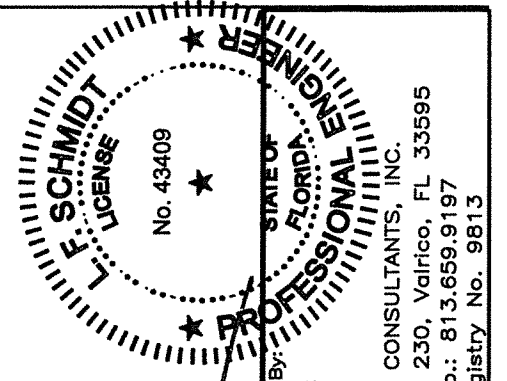
G1 GLAZING DETAIL



G2 GLAZING DETAIL



G3 GLAZING DETAIL



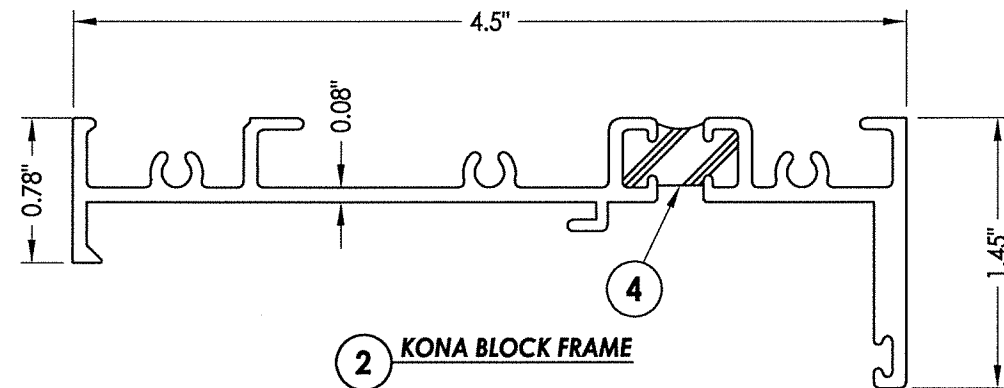
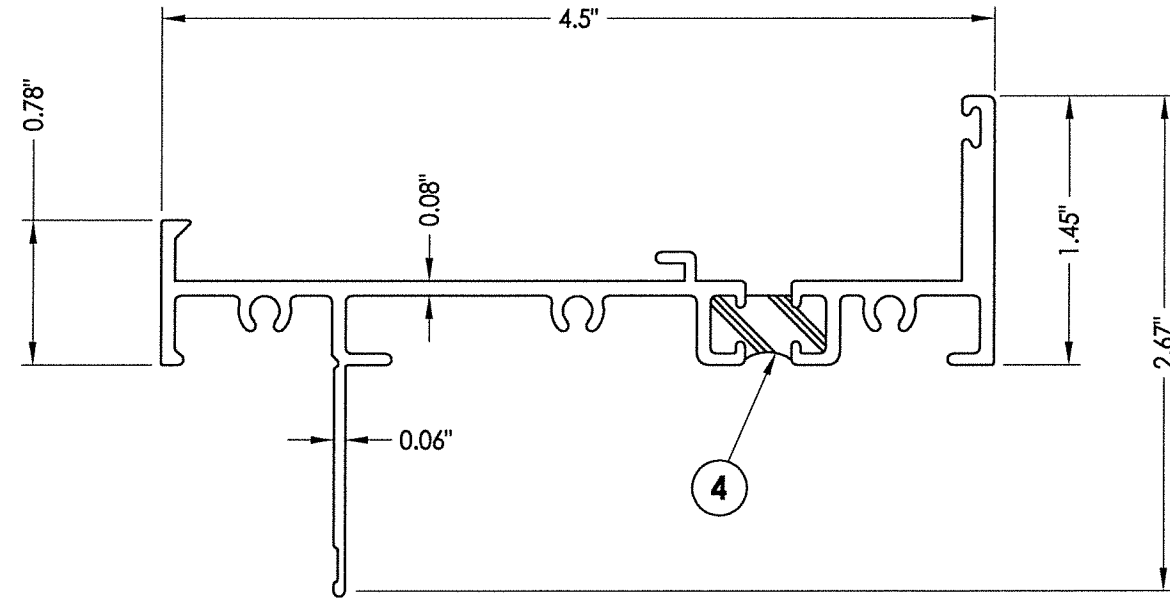
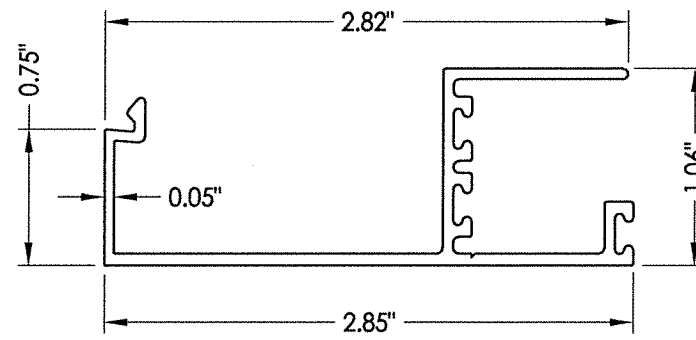
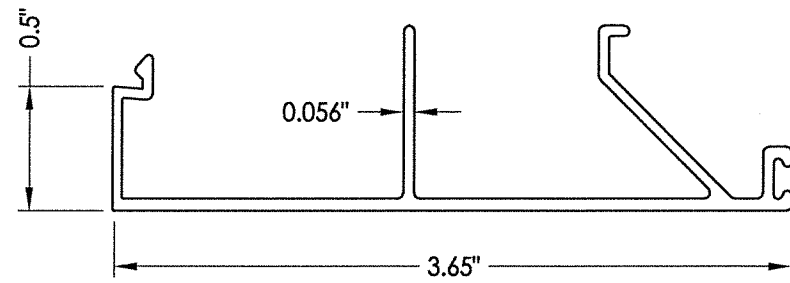
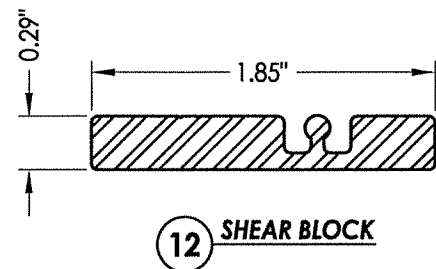
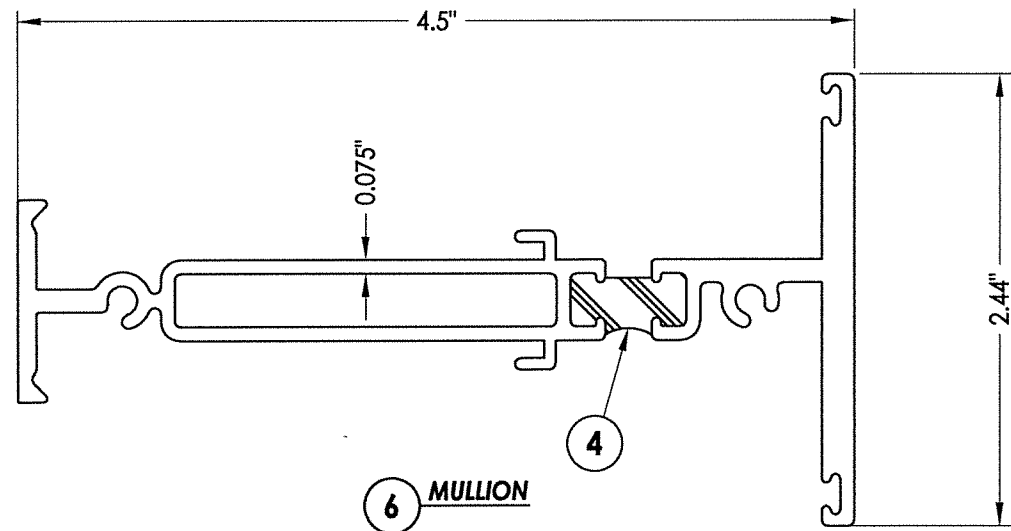
August 10, 2020
 Documents Prepared By:
 Lyndon F. Schmidt
 P.E. No. 43409
 R.W. BUILDING CONSULTANTS, INC.
 P.O. Box 230, Valrico, FL 33595
 Phone No.: 813.659.9197
 FBPE Registry No. 9813

PRODUCT:		FLEETWOOD WINDOWS AND DOORS	
PART OR ASSEMBLY:		GLAZING DETAILS	
NO.	DATE	REVISIONS	BY
4	8/10/20	UPDATE TO 7th ED. (2020) FBC	DAC
3	08/03/17	UPDATE TO 6TH ED. (2017) FBC	LFS
2	08/22/16	REVISE SERIES NAME	JK
1	04/22/15	UPDATE TO 5TH ED. (2014) FBC	JK

DATE: 2/26/14
 SCALE: N.T.S.
 DWG. BY: JK
 CHK. BY: LFS
 DRAWING NO.: FL-16925.3
 SHEET 7 OF 8

\\dc01\rvb\clients\Fleetwood PERMANENTVA - Florida Product Approvals\FL-16925 Fixed Windows\C - Drawings\FL 16925 (2020)\FL-16925.1-3.dwg

BILL OF MATERIALS		
ITEM #	DESCRIPTION	MATERIAL
A	1X BUCK SG >= 0.55	WOOD
B	2X BUCK SG >= 0.55	WOOD
C	1/4" MAX. SHIM SPACE	-
D	1/4" X 2-3/4" DeWALT OR ITW PFH CONCRETE SCREW	STEEL
E	MASONRY - 3000 PSI MIN. CONCRETE CONFORMING TO ACI 301 OR HOLLOW BLOCK CONFORMING TO ASTM C90	CONCRETE
F	#10 X 2" PFH WOOD SCREW (1-1/4" MIN. EMBEDMENT)	STEEL
G	1/4" x 2-1/4" DeWALT OR ITW PFH CONCRETE SCREW	STEEL
K	#10 FH SELF-DRILLING SMS	STEEL
L	#10 X 2" PPH WOOD SCREW (1-3/8" MIN. EMBEDMENT)	STEEL
M	#10 X 1-1/2" PPH WOOD SCREW (1-3/8" MIN. EMBEDMENT)	STEEL
N	#10 PH SELF-DRILLING SMS	STEEL
X	STEEL STUD Min. Thk .033" (ASTM A653 GRADE 33 Fy=33 Ksi Min, Fu=45 Ksi Min)	STEEL
1	KONA FIN BLOCK FRAME	6063-T6 ALUM
2	KONA BLOCK FRAME	6063-T6 ALUM
3	GLASS STOP (1-1/4")	6063-T6 ALUM
4	THERMAL BREAK ("LIQUID POLYURETHANE" by Azon USA, Inc.)	-
5	GLASS STOP (1-1/4")	6063-T6 ALUM
6	MULLION	6063-T6 ALUM
11	#8 X 1-1/2" PFH SMS	STEEL
12	SHEAR BLOCK	6061-T6 ALUM
40	#10 X 1" PPH SMS	STEEL
50	BULB VINYL (EPDM 70 DUROMETER) - TREMCO	-
51	MINI BULB VINYL (EPDM 70 DUROMETER) - TREMCO	-
55	SETTING BLOCK	-



August 10, 2020
 Documents Prepared By:
 Lyndon F. Schmidt
 P.E. No. 43409

R.W.
 BUILDING CONSULTANTS, INC.
 P.O. Box 230, Valrico, FL 33595
 Phone No.: 813.659.9197
 FBPE Registry No. 9813

PRODUCT:		FLEETWOOD WINDOWS AND DOORS	
PART OR ASSEMBLY:		BILL OF MATERIALS AND COMPONENTS	
NO.	DATE	REVISIONS	BY
4	8/10/20	UPDATE TO 7th ED. (2020) FBC	DAC
3	08/03/17	UPDATE TO 6TH ED. (2017) FBC	LFS
2	08/22/16	REVISE SERIES NAME	JK
1	04/22/15	UPDATE TO 5TH ED. (2014) FBC	JK

DATE:	2/26/14
SCALE:	N.T.S.
DWG. BY:	JK
CHK. BY:	LFS
DRAWING NO.:	FL-16925.3
SHEET	8 OF 8