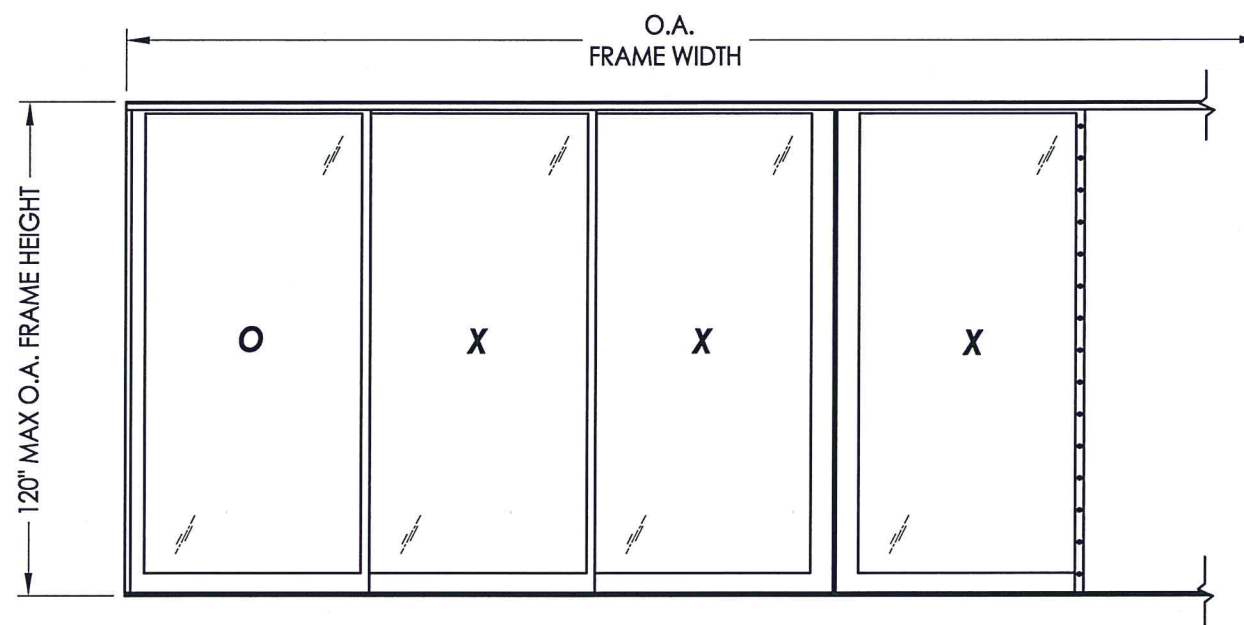




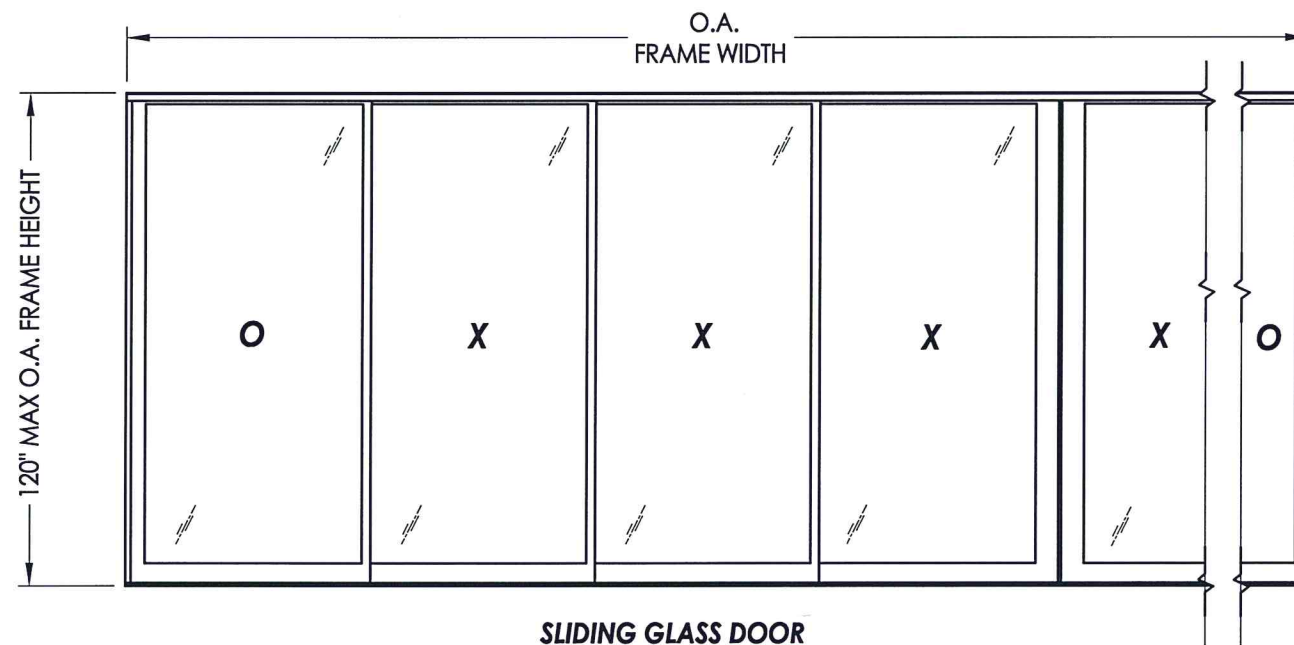
Series 3070-T

Sliding Glass / Pocket Door

"NON-IMPACT"



SLIDING GLASS POCKET DOOR



SLIDING GLASS DOOR

GENERAL NOTES

1. This product has been evaluated and is in compliance with the 7th Edition (2020) Florida Building Code (FBC) structural requirements excluding the "High Velocity Hurricane Zone" (HVHZ).
2. Product anchors shall be as listed and spaced as shown on details. Anchor embedment to base material shall be beyond wall dressing or stucco.
3. When used in areas requiring wind borne debris protection this product is required to be protected with an impact resistant covering that complies with FBC Sections 1609.1.2 & R301.2.1.2.
4. For 2x stud framing construction, anchoring of these units shall be the same as that shown for 2x buck masonry construction.
5. Site conditions that deviate from the details of this drawing require further engineering analysis by a licensed engineer or registered architect.

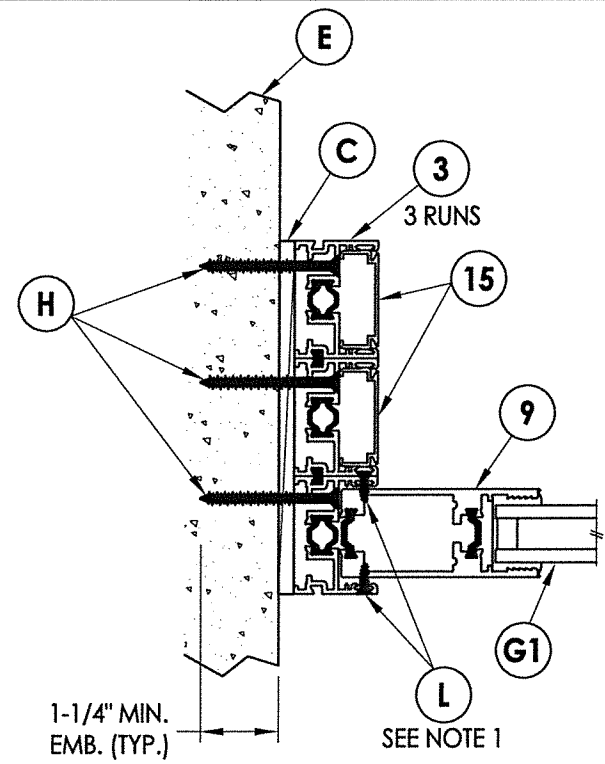
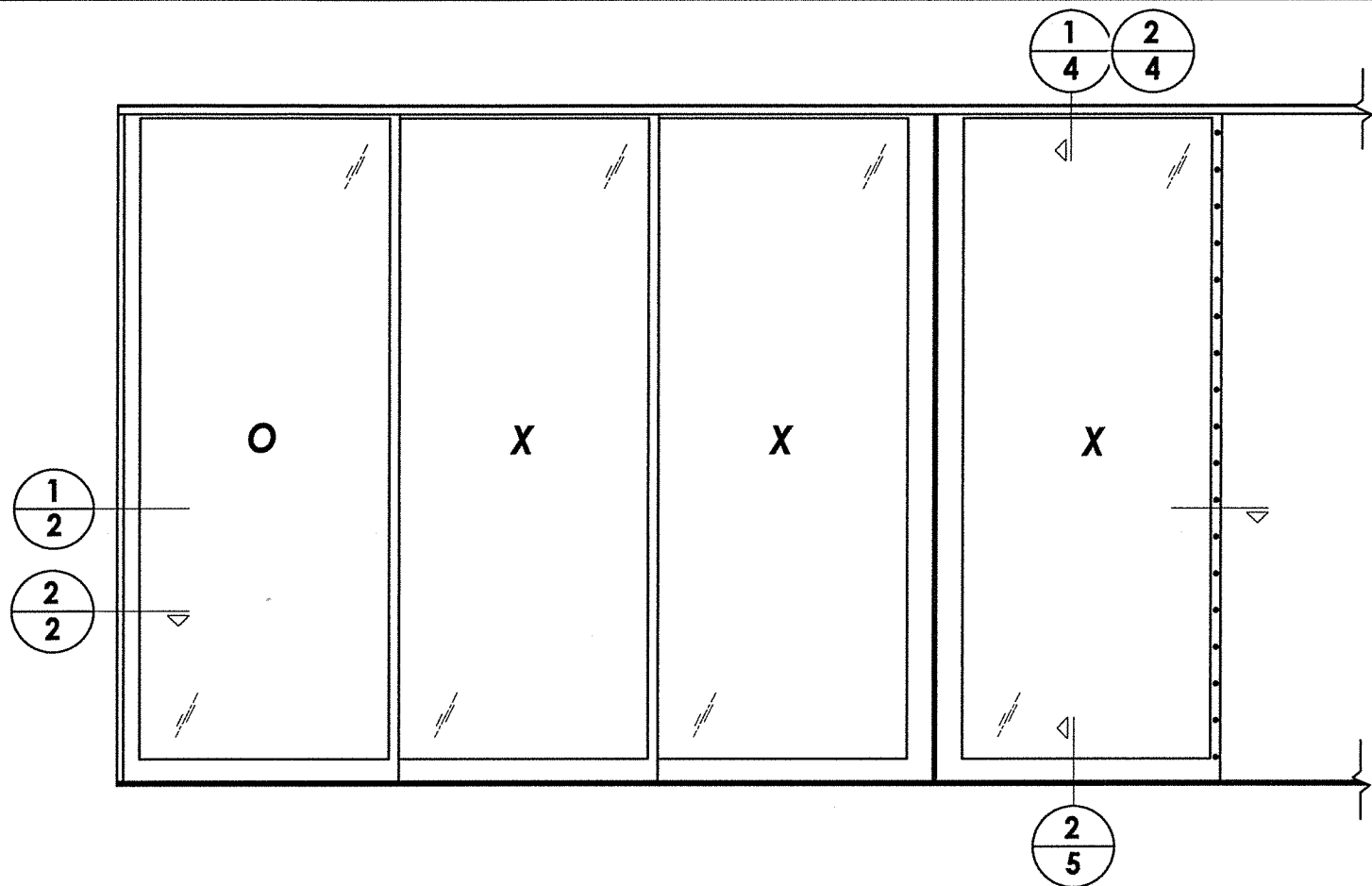
TABLE OF CONTENTS	
SHEET#	DESCRIPTION
1	Typical elevations, design pressures and general notes
2	Horizontal cross sections
3	Horizontal cross sections
4	Vertical cross sections
5	Vertical cross sections
6	Buck anchoring
7	Frame anchoring
8	Frame anchoring
9	Components
10	Components
11	Bill of materials and glazing details

MAX PANEL DIMENSION	MAX D.L.O. DIMENSION	GLASS TYPE	DESIGN PRESSURE (PSF)	
			POSITIVE	NEGATIVE
62.06" X 118.0"	56.5" X 111.5"	G1	+50.0	-50.0

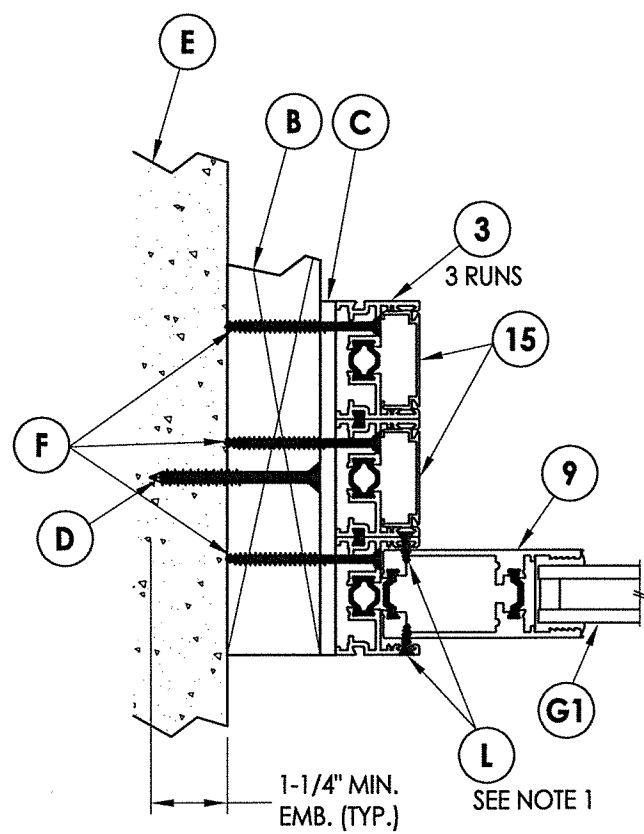
Note: Sliding Glass Pocket Door (3 + 1 Panels shown), Sliding Glass Door (4 Track shown)
 Any combination of fixed and operable panels is allowed.
 There is not a limit on the number of panels.

August 10, 2020
 Documents Prepared By: Lyndon F. Schmidt
 P.E. No. 43409
 R.W. BUILDING CONSULTANTS, INC.
 P.O. Box 230, Valrico, FL 33596
 Phone No.: 813.659.9197
 FBPE Registry No. 9813

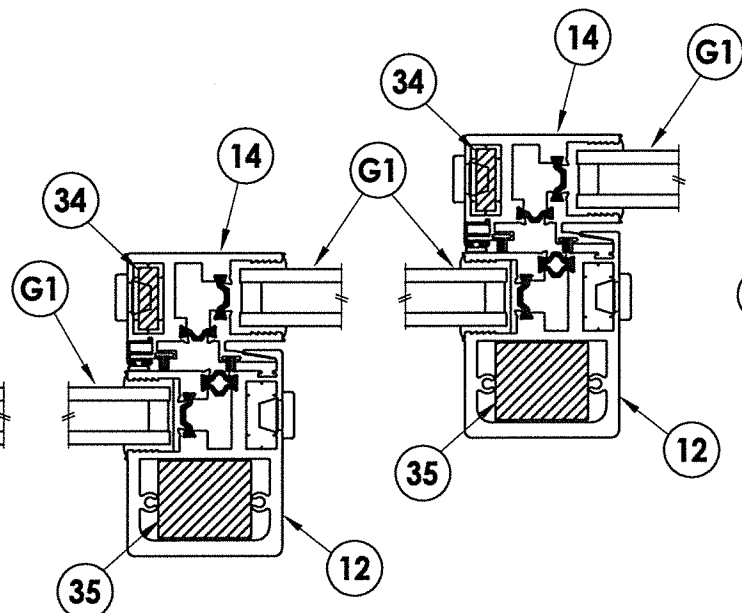
PRODUCT:	FLEETWOOD WINDOWS & DOORS	
PART OR ASSEMBLY:	TYPICAL ELEVATION, DESIGN PRESSURES & GENERAL NOTES	
NO.	DATE	REVISIONS
3	8/10/20	UPDATE TO 7TH ED. (2020) FBC
2	08/08/17	UPDATE TO 6TH ED. (2017) FBC
1	6/01/15	CORRECTED GLAZING DLO
DATE:	03/10/16	
SCALE:	N.T.S.	
DWG. BY:	JK	
CHK. BY:	LFS	
DRAWING NO.:	FL-15560.23	
SHEET	1	OF 11



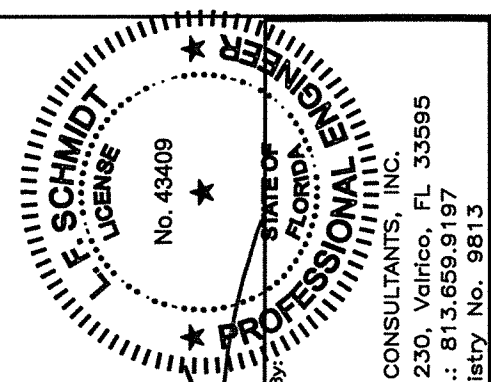
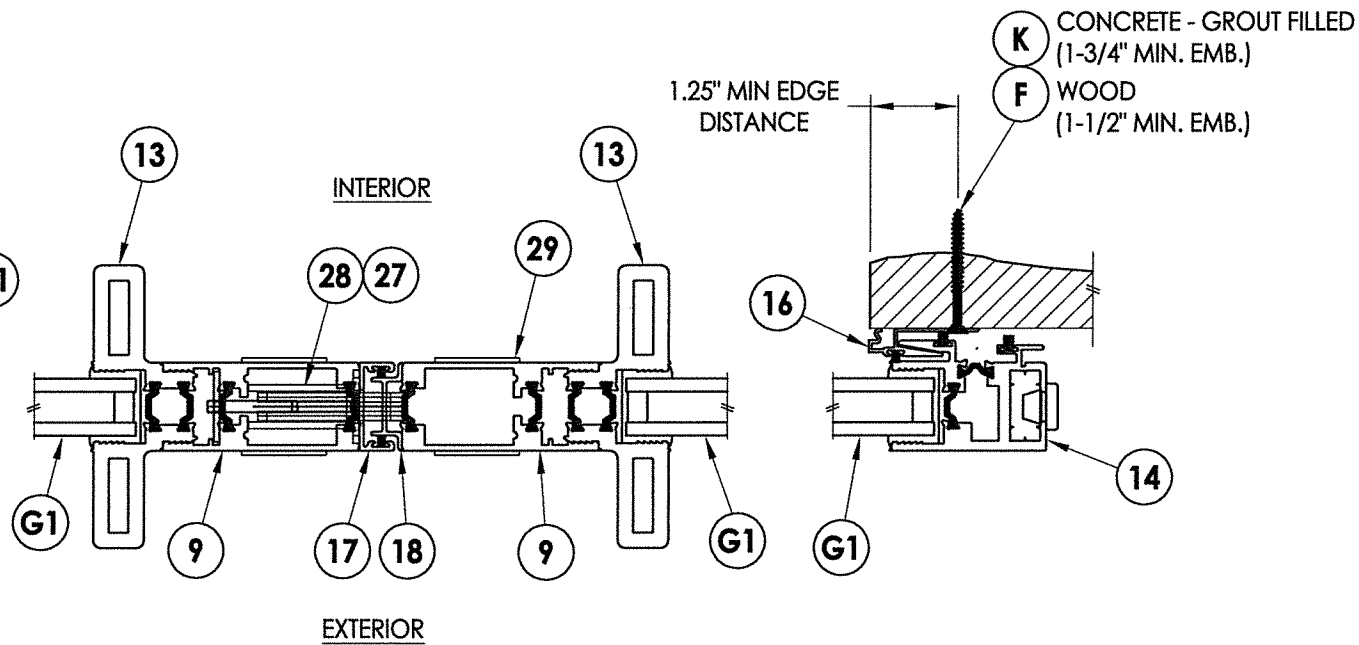
2 HORIZONTAL CROSS SECTION
2 Direct to masonry



NOTE:
1. Fixed panel screws located 39" from each end.



1 HORIZONTAL CROSS SECTION
2 2X Buck Construction



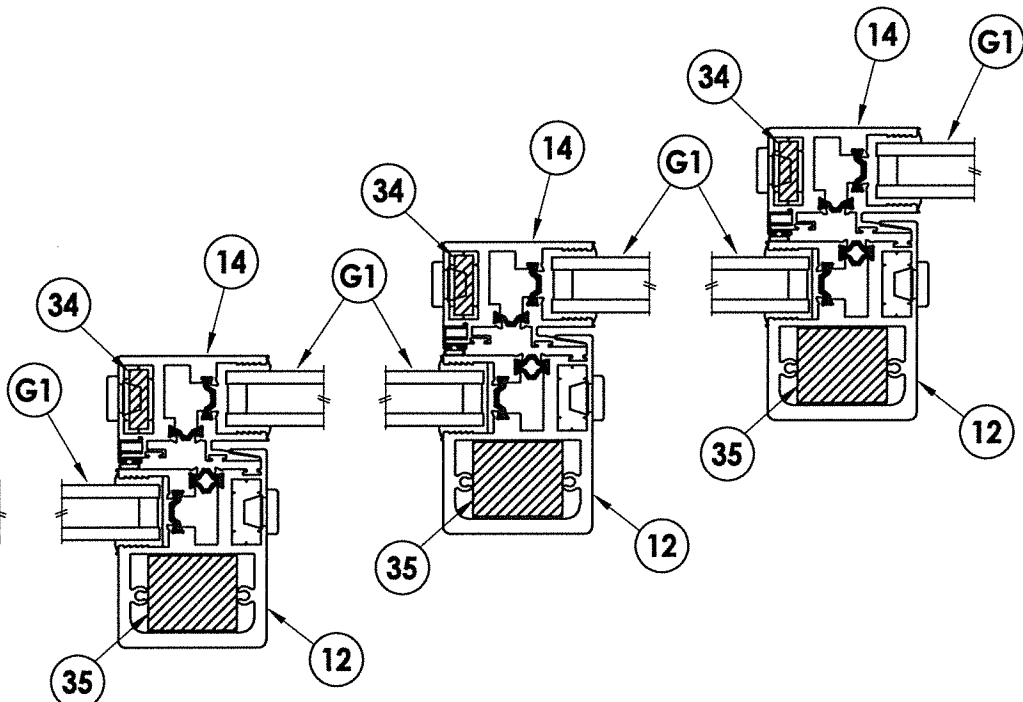
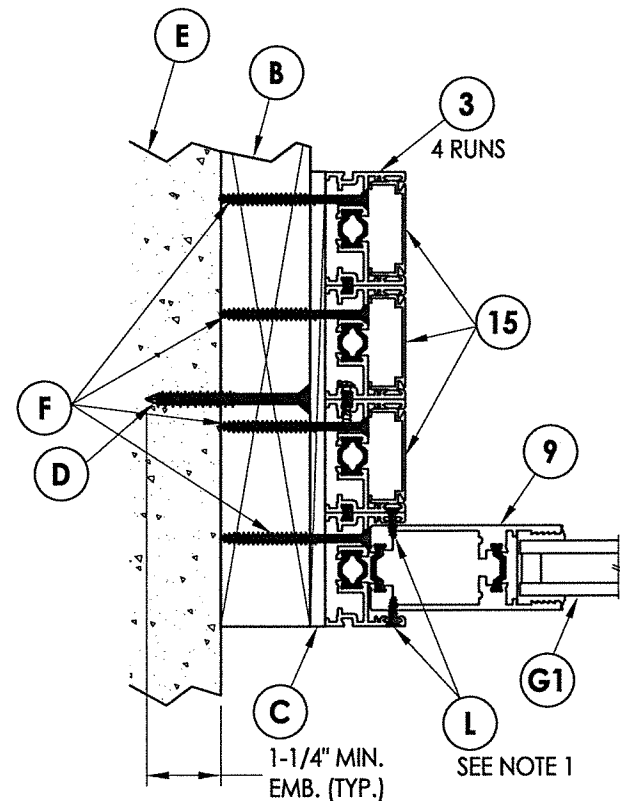
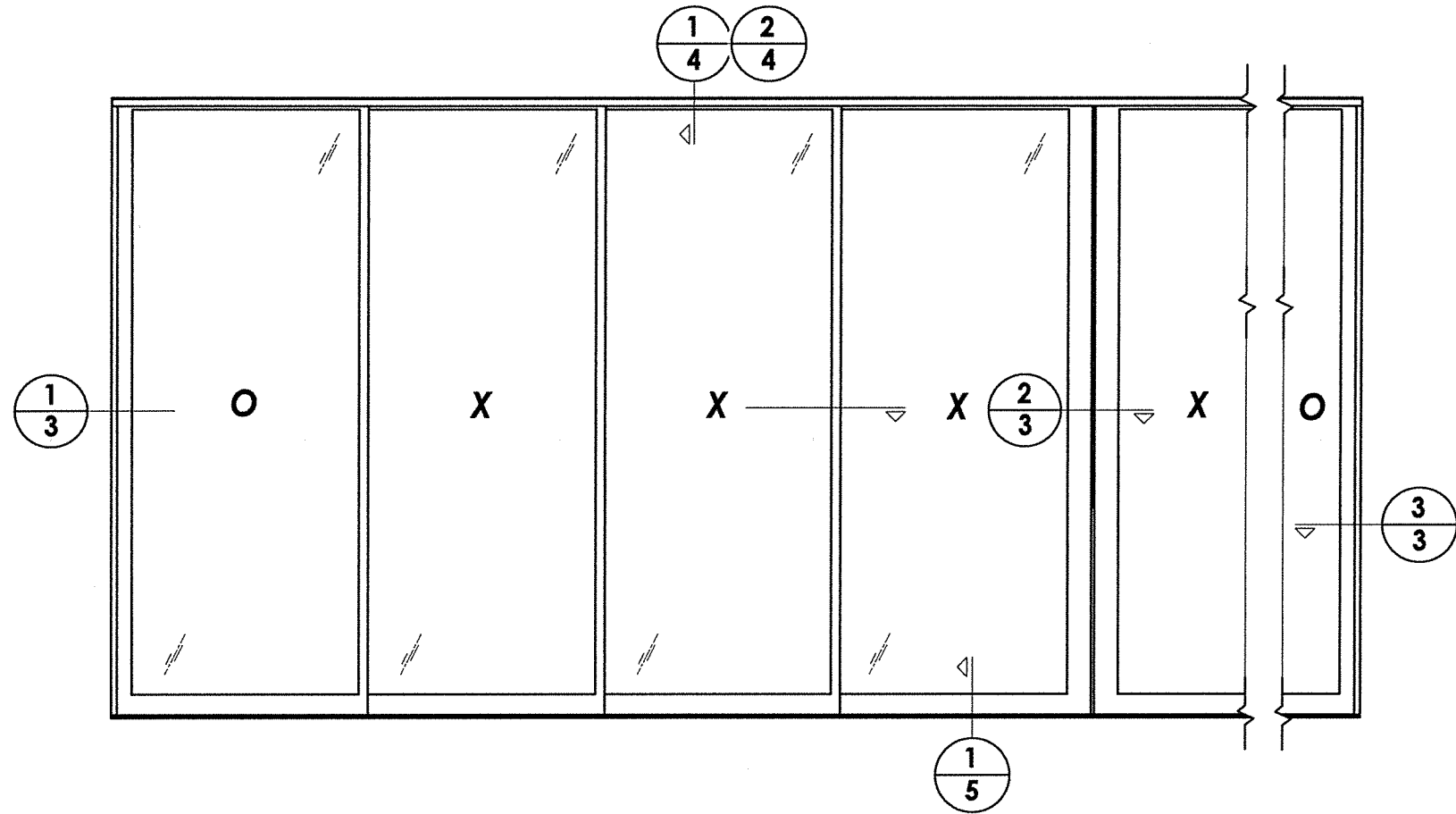
August 10, 2020
Documents Prepared By:
Lyndon F. Schmidt
P.E. No. 43409

RW BUILDING CONSULTANTS, INC.
P.O. Box 230, Valrico, FL 33595
Phone No.: 813.659.9197
FBPE Registry No. 9813

PRODUCT: FLEETWOOD WINDOWS & DOORS
PART OR ASSEMBLY: HORIZONTAL CROSS SECTIONS

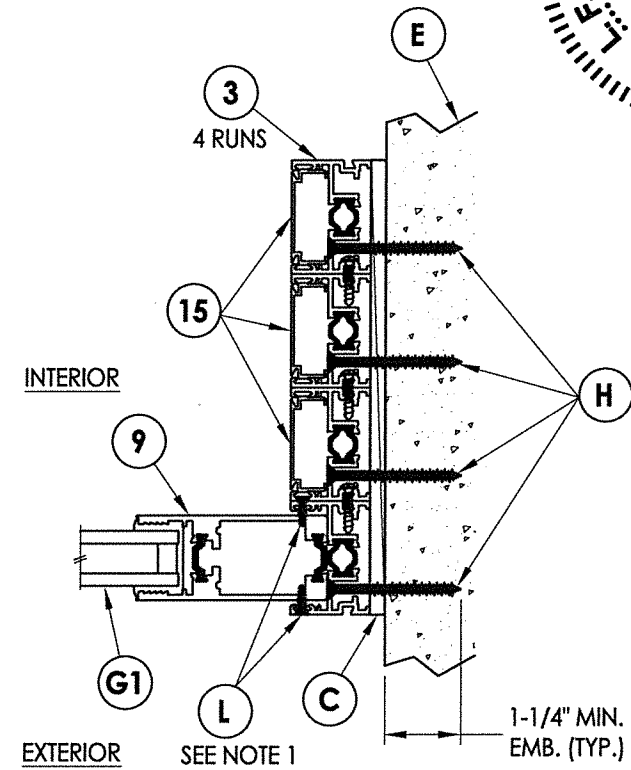
NO.	DATE	REVISIONS
3	8/10/20	UPDATE TO 7th ED. (2020) FBC DAC
2	08/08/17	UPDATE TO 6th ED. (2017) FBC LFS
1	6/01/15	CORRECTED GLAZING DLO LFS
		BY

DATE: 03/10/16
SCALE: N.T.S.
DWG. BY: JK
CHK. BY: LFS
DRAWING NO.: FL-15560.23
SHEET 2 OF 11

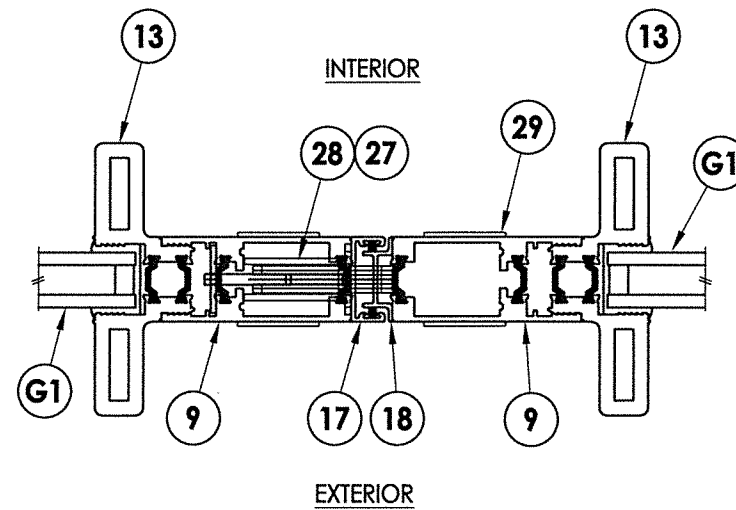


NOTE:
1. Fixed panel screws located 39" from each end.

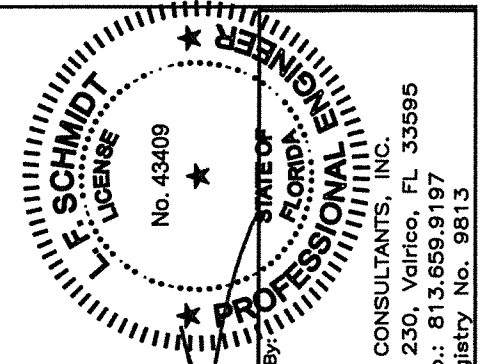
1
3 HORIZONTAL CROSS SECTION
2X Buck Construction



3
3 HORIZONTAL CROSS SECTION
Direct to masonry

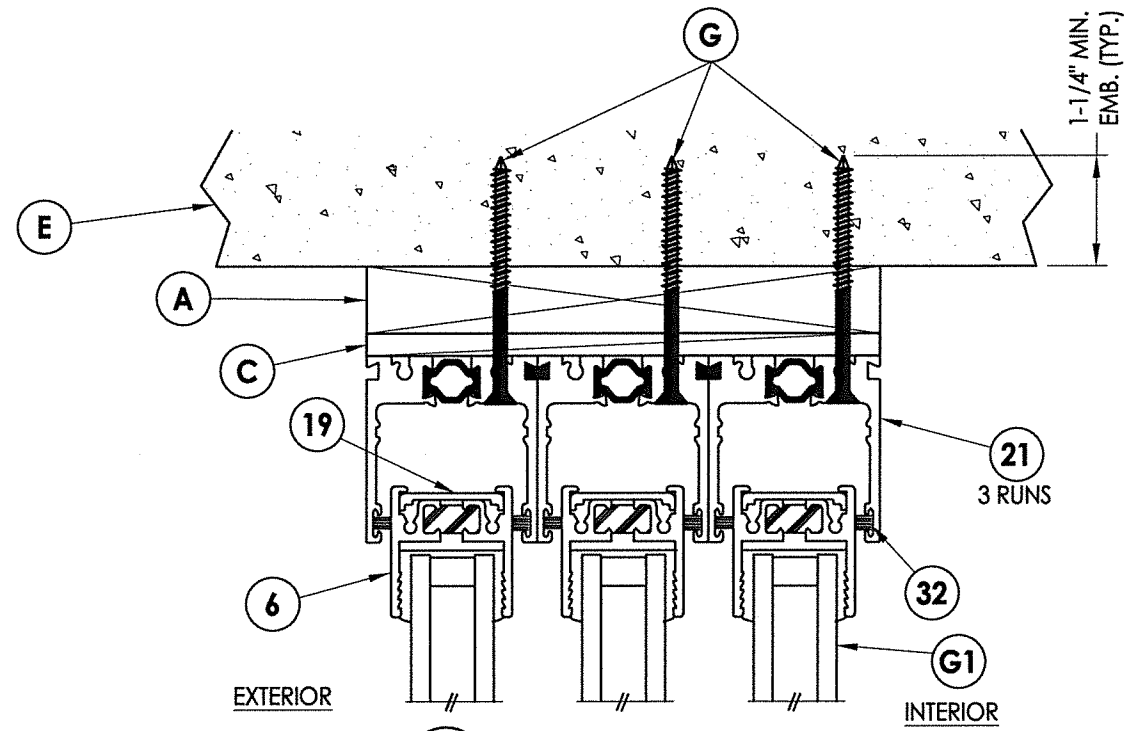


2
3 HORIZONTAL CROSS SECTION

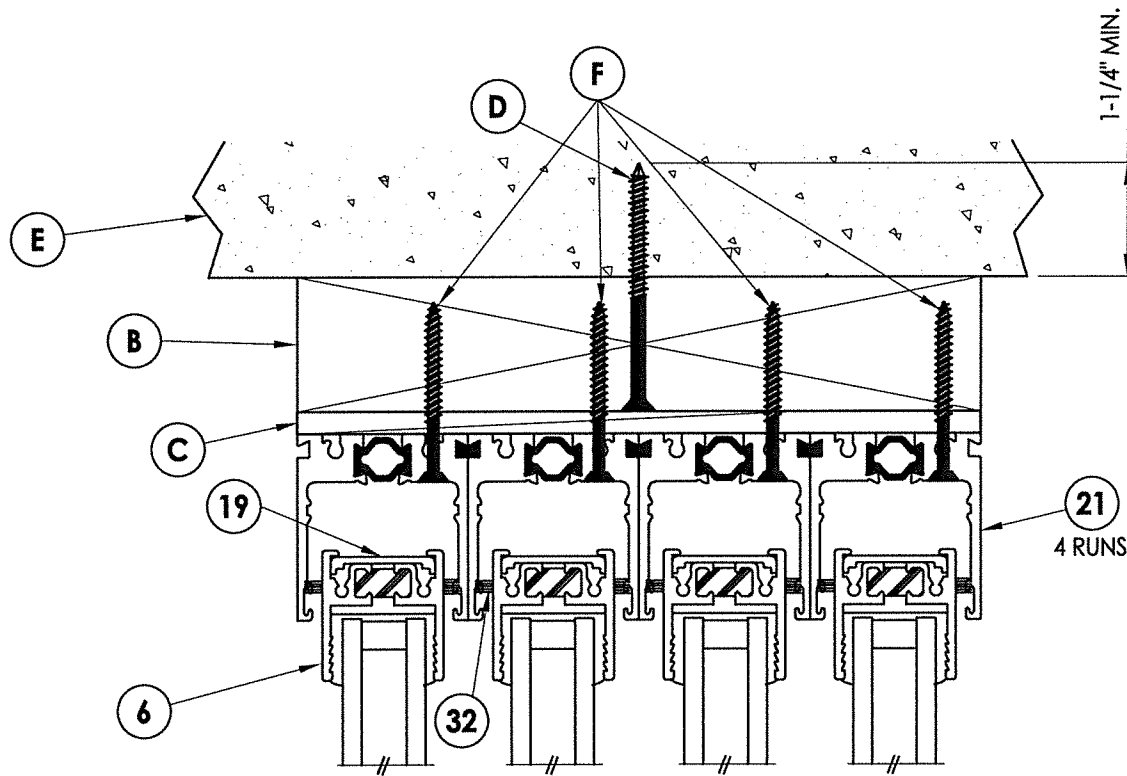


August 10, 2020
Documents Prepared By:
Lyndon F. Schmidt
P.E. No. 43409
LFS
RW BUILDING CONSULTANTS, INC.
P.O. Box 230, Valrico, FL 33595
Phone No.: 813.659.9197
FBPE Registry No. 9813

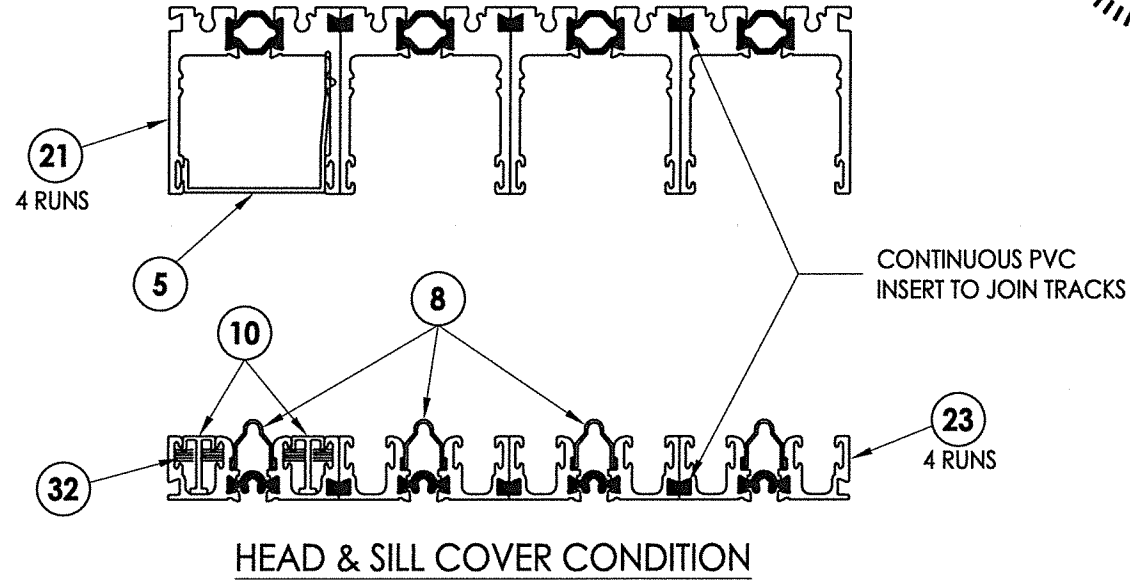
PRODUCT:	FLEETWOOD WINDOWS & DOORS
PART OR ASSEMBLY:	HORIZONTAL CROSS SECTIONS
DATE:	03/10/16
SCALE:	N.T.S.
DWG. BY:	JK
CHK. BY:	LFS
DRAWING NO.:	FL-15560.23
SHEET	3 OF 11
NO. DATE	REVISIONS
3 8/10/20	UPDATE TO 7th ED. (2020) FBC DAC
2 08/08/17	UPDATE TO 6TH ED. (2017) FBC LFS
1 6/01/15	CORRECTED GLAZING DLO LFS
	BY



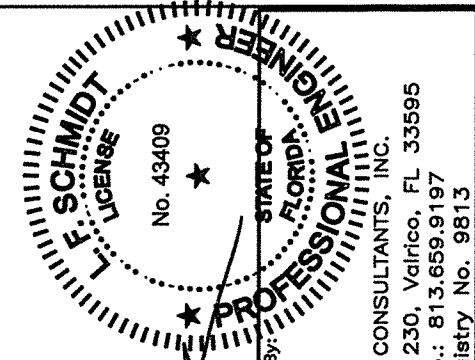
1 VERTICAL CROSS SECTION
4 1X Buck Construction
 (Shown w/ 3 tracks)



2 VERTICAL CROSS SECTION
4 2X Buck Construction
 (Shown w/ 4 tracks)

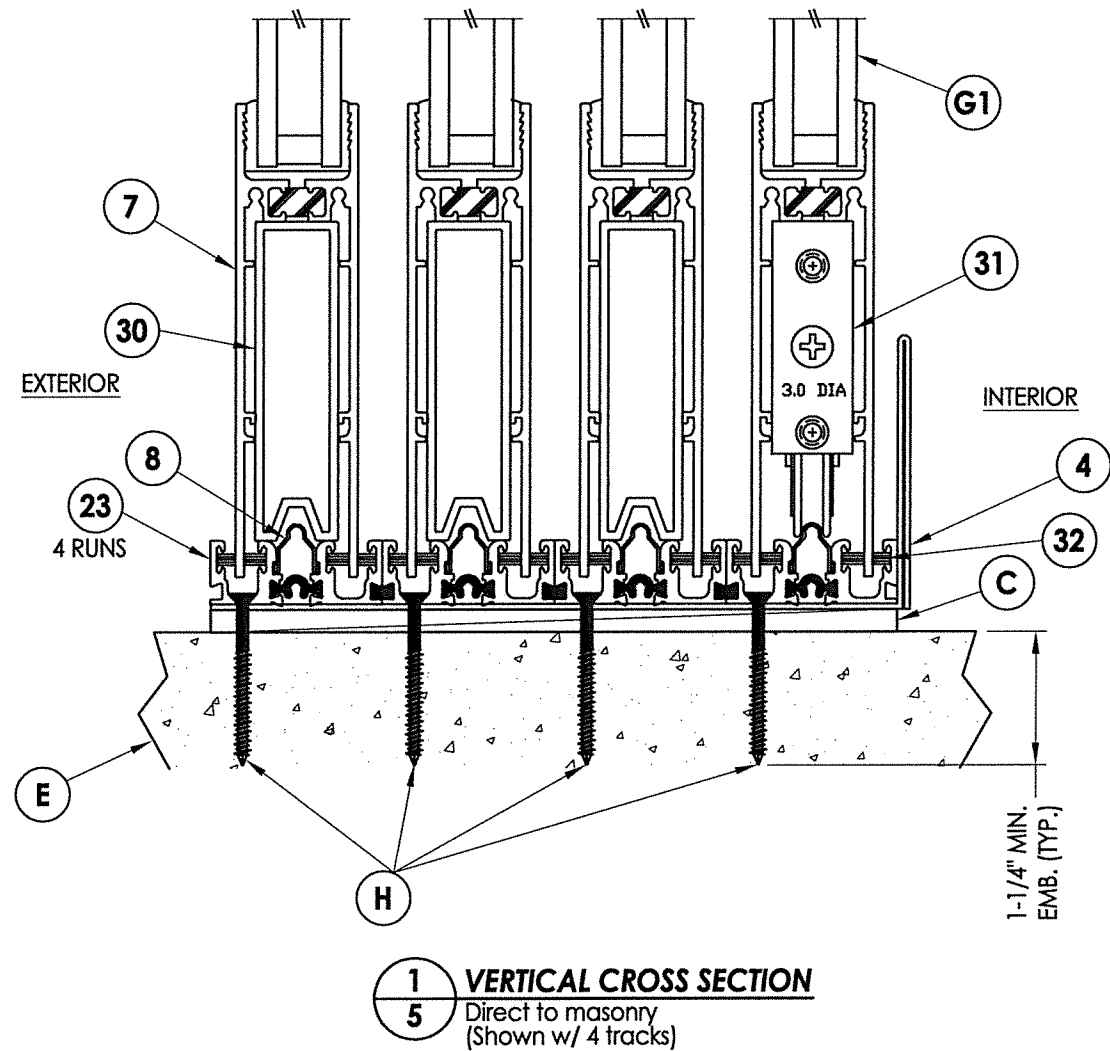


HEAD & SILL COVER CONDITION

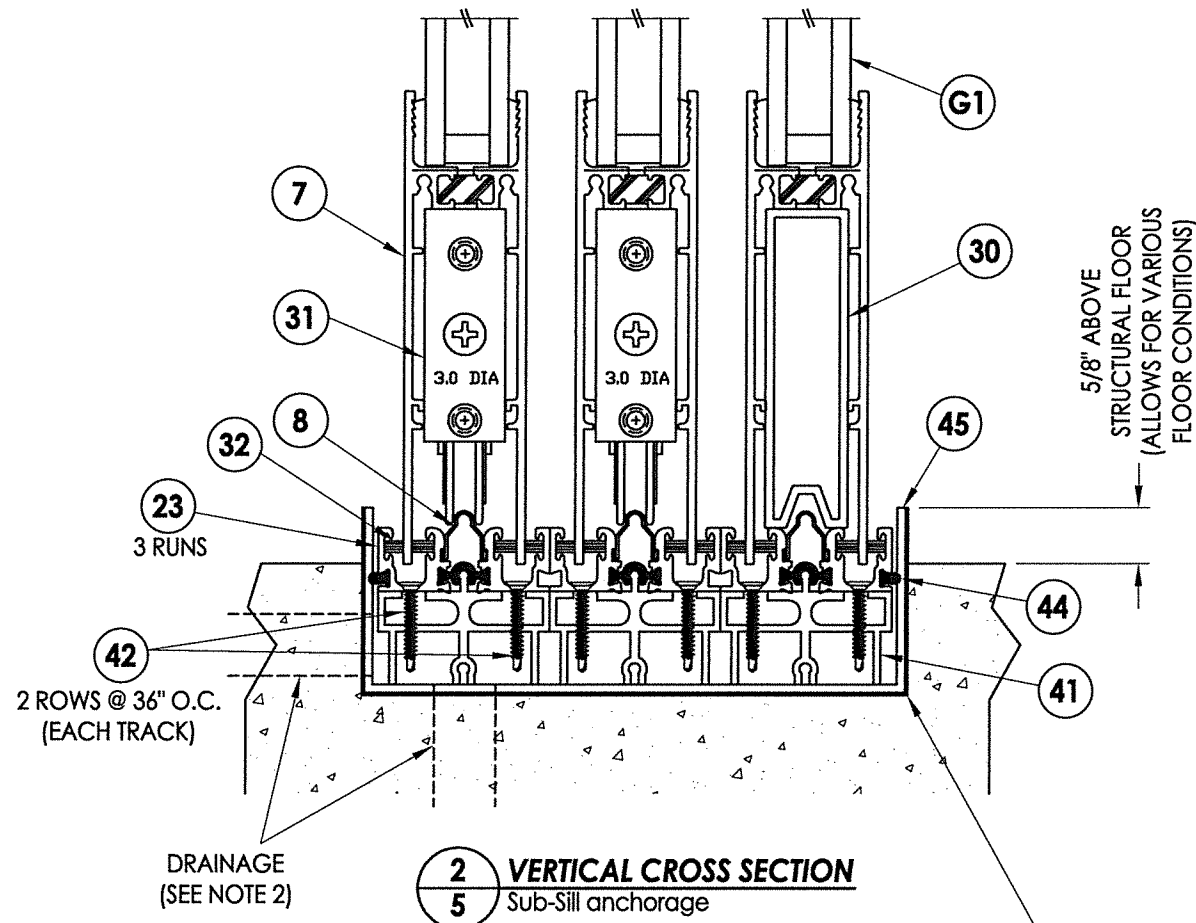


August 10, 2020
 Documents Prepared By:
 Lyndon F. Schmidt
 P.E. No. 43409
 R.W. BUILDING CONSULTANTS, INC.
 P.O. Box 230, Valrico, FL 33595
 Phone No.: 813.659.9197
 FBPE Registry No. 9813

PRODUCT:		FLEETWOOD WINDOWS & DOORS	
PART OR ASSEMBLY:		VERTICAL CROSS SECTIONS	
NO.	DATE	REVISIONS	
3	8/10/20	UPDATE TO 7th ED. (2020)	FBC DAC
2	08/08/17	UPDATE TO 6TH ED. (2017)	FBC LFS
1	6/01/15	CORRECTED GLAZING DLO	LFS
			BY
DATE:		03/10/16	
SCALE:		N.T.S.	
DWG. BY:		JK	
CHK. BY:		LFS	
DRAWING NO.:		FL-15560.23	
SHEET		4 OF 11	



1
5 **VERTICAL CROSS SECTION**
Direct to masonry
(Shown w/ 4 tracks)

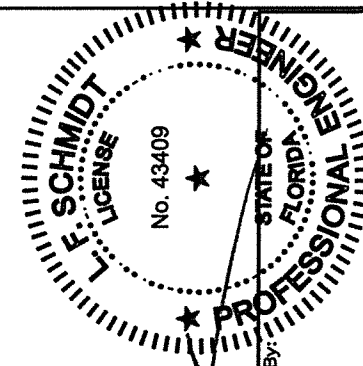


2
5 **VERTICAL CROSS SECTION**
Sub-Sill anchorage

SILL TRACK INSERTED INTO FINISHED FLOOR. THE DESIGN OF THE SUBSTRATE TO WITHSTAND WIND LOADS IS THE RESPONSIBILITY OF THE ARCHITECT OR ENGINEER OF RECORD.

NOTES:

1. A full-depth cut-out (1" wide x 3/16" tall) in track base is necessary to allow for water drainage (6" from each end and 60" o.c.).
2. For Sub-sill, provide bottom or side drain, 1" NPT, for water drainage (8" from each end and 60" o.c.). Drainage system design by others.



August 10, 2020
Documents Prepared By:
Lyndon F. Schmidt
P.E. No. 43409

R.W.
BUILDING CONSULTANTS, INC.
P.O. Box 230, Valrico, FL 33595
Phone No.: 813.659.9197
FBPE Registry No. 9813

PRODUCT:
FLEETWOOD WINDOWS & DOORS

PART OR ASSEMBLY:
VERTICAL CROSS SECTIONS

NO.	DATE	REVISIONS	BY
3	8/10/20	UPDATE TO 7th ED. (2020) FBC DAC	DAC
2	08/08/17	UPDATE TO 6th ED. (2017) FBC	LFS
1	6/01/15	CORRECTED GLAZING DLO	LFS

DATE: 03/10/16

SCALE: N.T.S.

DWG. BY: JK

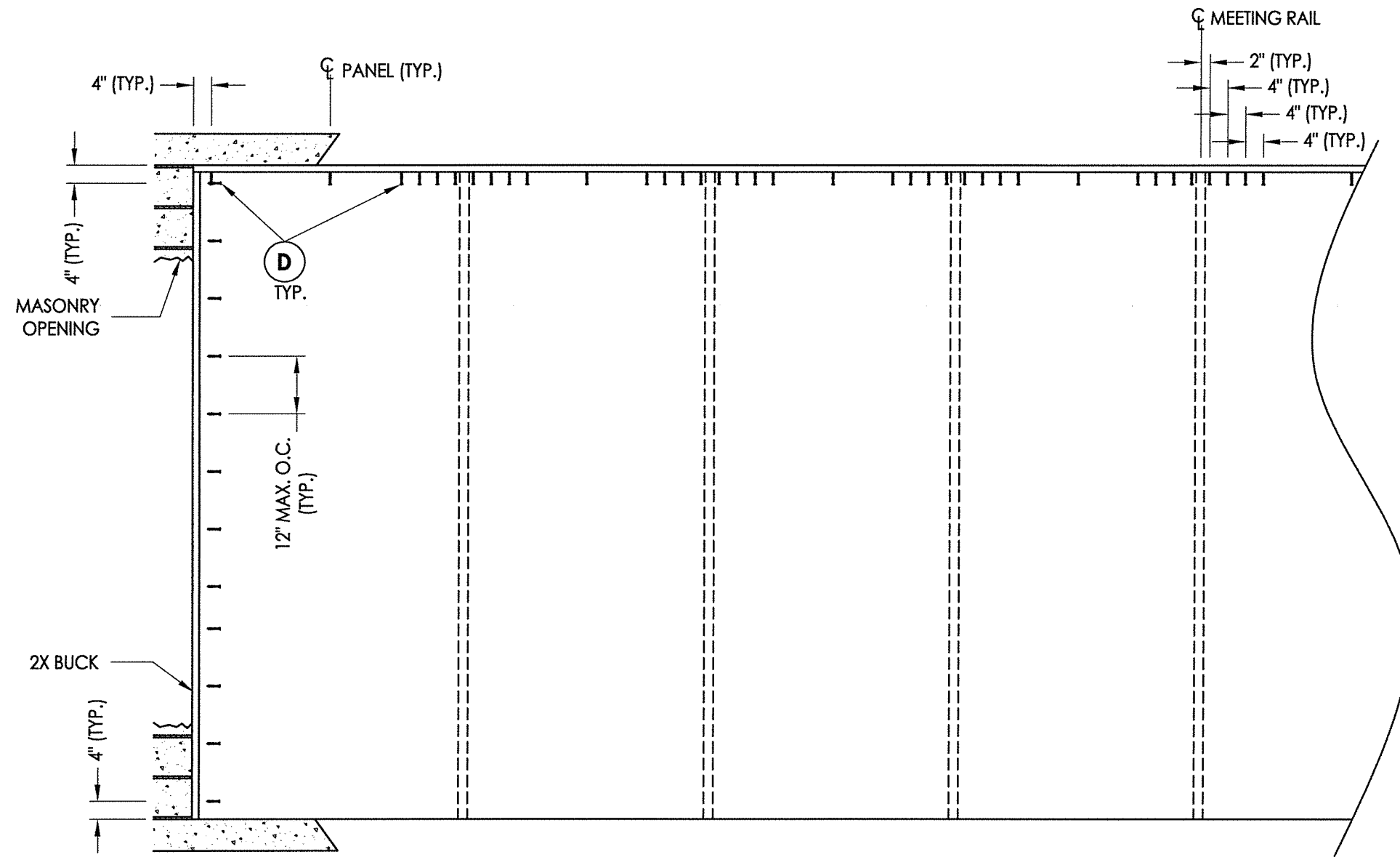
CHK. BY: LFS

DRAWING NO.:

FL-15560.23

SHEET 5 OF 11

\\dc01\w\bc\Clients\Fleetwood PERMANENT\A - Florida Product Approvals\FL-15560 Sliding Patio Doors\C - Drawings\FL 15560 (2020)\FL-15560.23-24.dwg

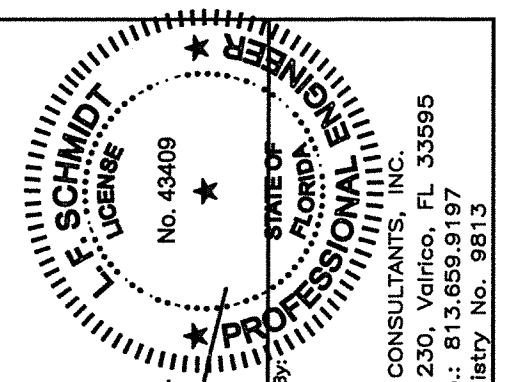


2X BUCK ANCHORING

CONCRETE ANCHOR NOTES:

1. Concrete anchor locations at the corners may be adjusted to maintain the min. edge distance to mortar joints.
2. Concrete anchor locations noted as "MAX. ON CENTER" must be adjusted to maintain the min. edge distance to mortar joints, additional concrete anchors may be required to ensure the "MAX. ON CENTER" dimension are not exceeded.
3. Concrete anchor table:

ANCHOR TYPE	ANCHOR SIZE	MIN. EMBEDMENT	MIN. CLEARANCE TO MASONRY EDGE	MIN. CLEARANCE TO ADJACENT ANCHOR
ITW TAPCON®	1/4"	1-1/4"	2"	4"
DeWALT ULTRACON®	1/4"	1-1/4"	2-1/2"	4"



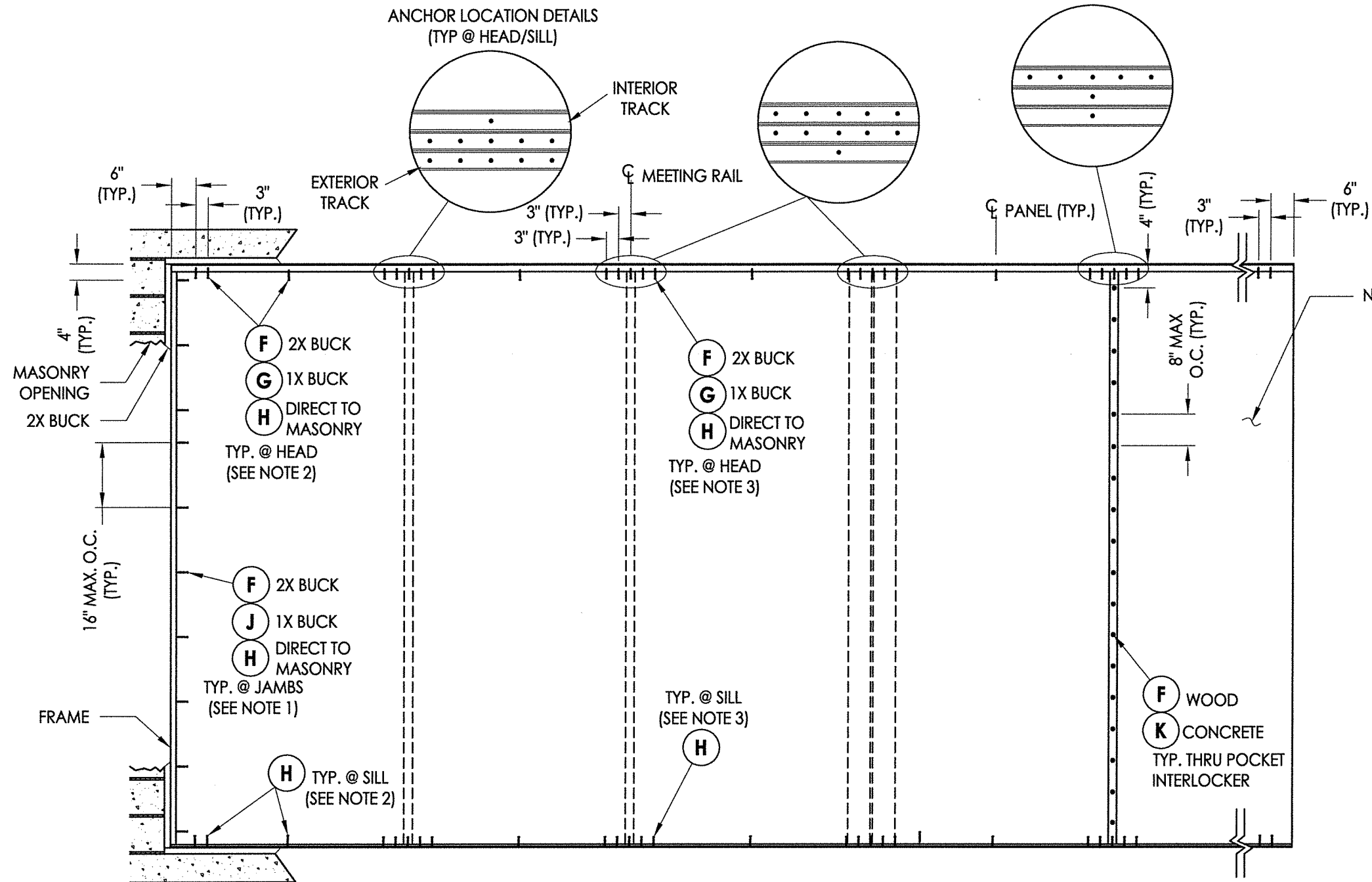
LFS

August 10, 2020
 Documents Prepared By:
 Lyndon F. Schmidt
 P.E. No. 43409

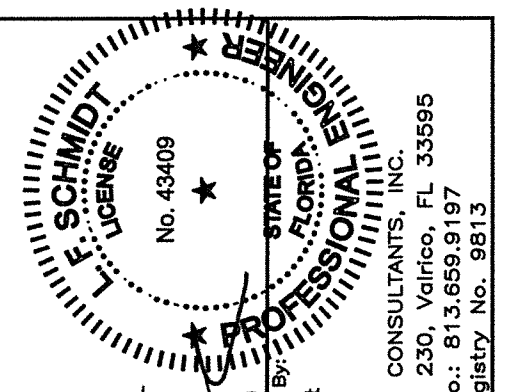
RW
 BUILDING CONSULTANTS, INC.
 P.O. Box 230, Valrico, FL 33595
 Phone No.: 813.659.9197
 FBPE Registry No. 9813

PRODUCT:	FLEETWOOD WINDOWS & DOORS
PART OR ASSEMBLY:	BUCK ANCHORING
DATE:	03/10/16
SCALE:	N.T.S.
DWG. BY:	JK
CHK. BY:	LFS
DRAWING NO.:	FL-15560.23
SHEET	6 OF 11

\\dc01\rvbc\Clients\Fleetwood PERMANENTVA - Florida Product Approvals\FL-15560 Sliding Patio Doors\C - Drawings\FL-15560.23-24.dwg



NOTE: Pocket door area by others



August 10, 2020
 Documents Prepared By:
 Lyndon F. Schmidt
 P.E. No. 43409

RW BUILDING CONSULTANTS, INC.
 P.O. Box 230, Valrico, FL 33595
 Phone No.: 813.659.9197
 FBPE Registry No. 9813

PRODUCT:	FLEETWOOD WINDOWS & DOORS
PART OR ASSEMBLY:	FRAME ANCHORING

NO.	DATE	REVISIONS
3	8/10/20	UPDATE TO 7TH ED. (2020) FBC DAC
2	08/08/17	UPDATE TO 6TH ED. (2017) FBC LFS
1	6/01/15	CORRECTED GLAZING DLO LFS

DATE:	03/10/16
SCALE:	N.T.S.
DWG. BY:	JK
CHK. BY:	LFS
DRAWING NO.:	FL-15560.23
SHEET	7 OF 11

CONCRETE ANCHOR NOTES:

- Concrete anchor locations at the corners may be adjusted to maintain the min. edge distance to mortar joints.
- Concrete anchor locations noted as "MAX. ON CENTER" must be adjusted to maintain the min. edge distance to mortar joints, additional concrete anchors may be required to ensure the "MAX. ON CENTER" dimension are not exceeded.
- Concrete anchor table:

ANCHOR TYPE	ANCHOR SIZE	MIN. EMBEDMENT	MIN. CLEARANCE TO MASONRY EDGE	MIN. CLEARANCE TO ADJACENT ANCHOR
ITW TAPCON®	3/16"	1-1/4"	2"	1-7/8"
DeWALT ULTRACON®	1/4"	1-1/4"	1-1/4"	6"

WOOD SCREW INSTALLATION NOTES:

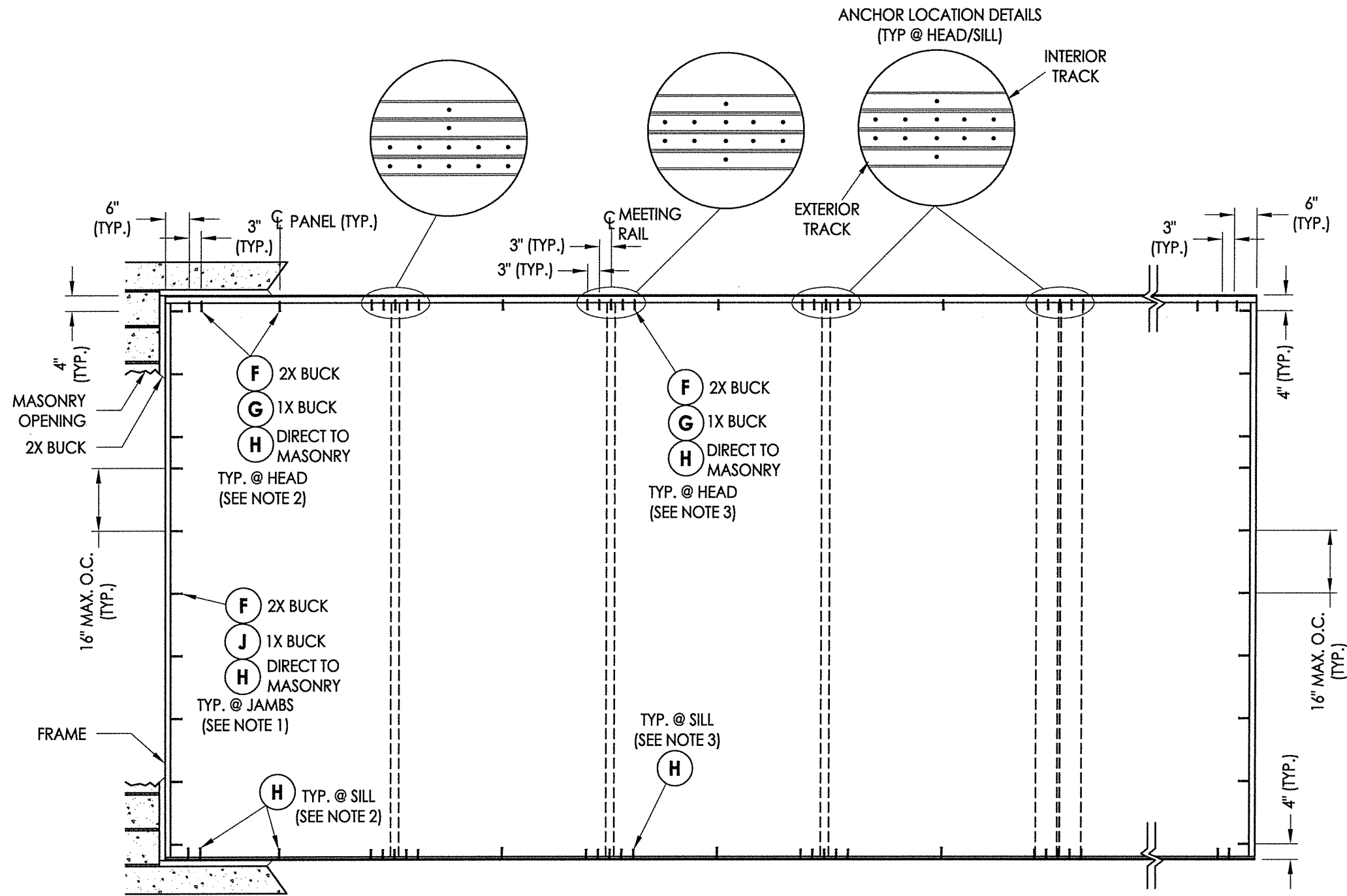
- Maintain a minimum 3/4" edge distance, 1" end distance, & 1" o.c. spacing of wood screws to prevent the splitting of wood.

FRAME ANCHORING

SLIDING GLASS POCKET DOOR

ANCHOR LOCATION NOTES:

- JAMBS (@ EACH LOCATION): 1 ANCHOR REQUIRED PER TRACK
- HEAD/SILL (@ EACH END/CENTERLINE OF PANEL): 1 ANCHOR REQUIRED PER TRACK
- HEAD/SILL (@ MEETING RAILS): SEE DETAILS FOR ANCHORS REQUIRED PER TRACK



FRAME ANCHORING
SLIDING GLASS DOOR

CONCRETE ANCHOR NOTES:

- Concrete anchor locations at the corners may be adjusted to maintain the min. edge distance to mortar joints.
- Concrete anchor locations noted as "MAX. ON CENTER" must be adjusted to maintain the min. edge distance to mortar joints, additional concrete anchors may be required to ensure the "MAX. ON CENTER" dimension are not exceeded.
- Concrete anchor table:

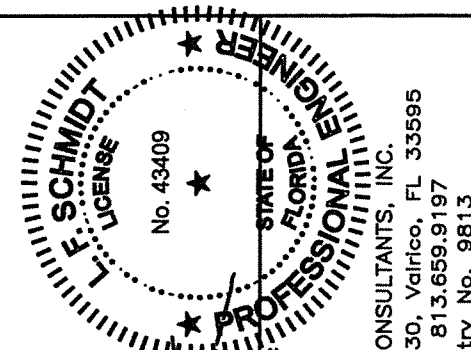
ANCHOR TYPE	ANCHOR SIZE	MIN. EMBEDMENT	MIN. CLEARANCE TO MASONRY EDGE	MIN. CLEARANCE TO ADJACENT ANCHOR
ITW TAPCON®	3/16"	1-1/4"	2"	1-7/8"

WOOD SCREW INSTALLATION NOTES:

- Maintain a minimum 3/4" edge distance, 1" end distance, & 1" o.c. spacing of wood screws to prevent the splitting of wood.

ANCHOR LOCATION NOTES:

- JAMBS (@ EACH LOCATION): 1 ANCHOR REQUIRED PER TRACK
- HEAD/SILL (@ EACH END/CENTERLINE OF PANEL): 1 ANCHOR REQUIRED PER TRACK
- HEAD/SILL (@ MEETING RAILS): SEE DETAILS FOR ANCHORS REQUIRED PER TRACK



August 10, 2020
 Documents Prepared By:
 Lyndon F. Schmidt
 P.E. No. 43409

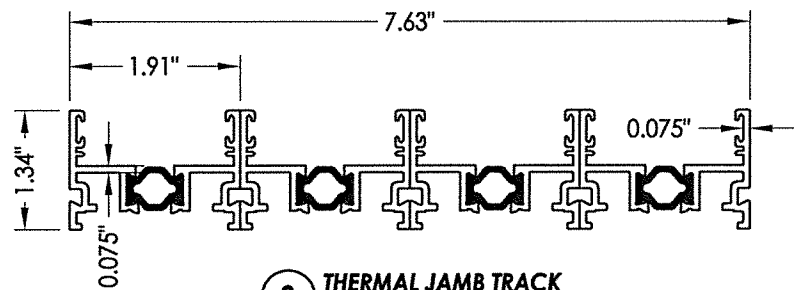
R.W. BUILDING CONSULTANTS, INC.
 P.O. Box 230, Vaircoo, FL 33595
 Phone No.: 813.659.9197
 FBPE Registry No. 9813

PRODUCT: FLEETWOOD WINDOWS & DOORS
 PART OR ASSEMBLY: FRAME ANCHORING

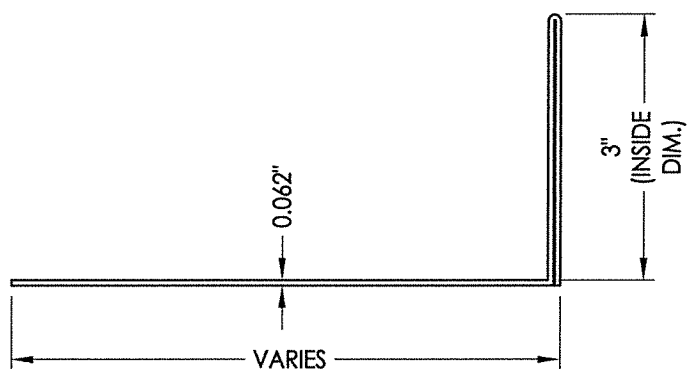
NO.	DATE	REVISIONS
3	8/10/20	UPDATE TO 7TH ED. (2020) FBC DAC
2	08/08/17	UPDATE TO 6TH ED. (2017) FBC LFS
1	6/01/15	CORRECTED GLAZING DLO LFS

DATE: 03/10/16
 SCALE: N.T.S.
 DWG. BY: JK
 CHK. BY: LFS
 DRAWING NO.: FL-15560.23
 SHEET 8 OF 11

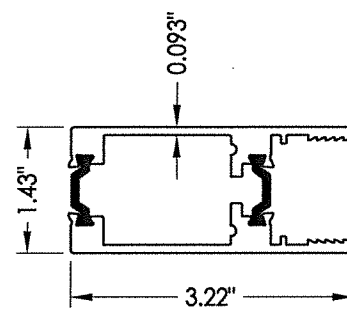
\\dc01\vwbc\Clients\Fleetwood PERMANENTVA - Florida Product Approvals\FL-15560 Sliding Patio DoorsC - Drawings\FL 15560 (2020)\FL-15560.23-24.dwg



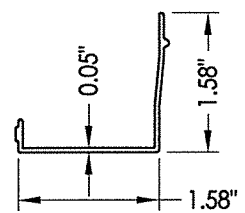
3 THERMAL JAMB TRACK
Single Tracks
(4 Runs Shown)



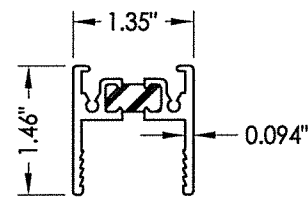
4 SILL PAN



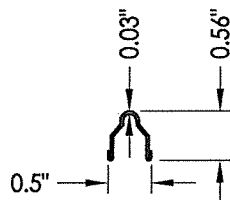
9 THERMA LOCK STILE
ARCHETYPE NARROW



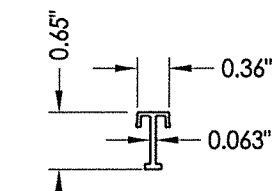
5 HEAD CHANNEL FILLER



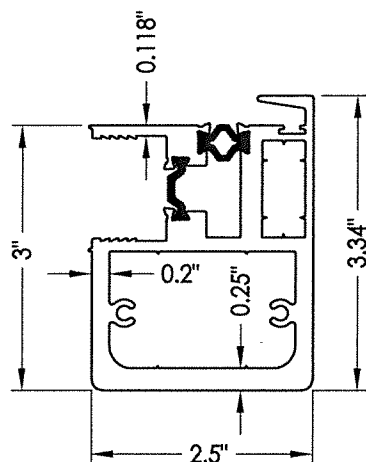
6 THERMA TOP RAIL



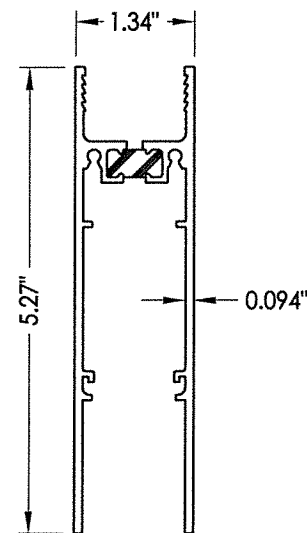
8 TRACK



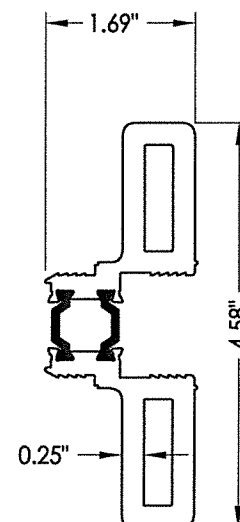
10 SILL CHANNEL FILLER



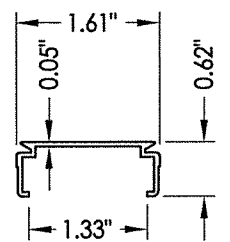
12 HP THERMAL INTERLOCK STILE



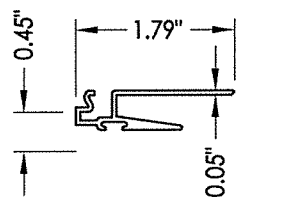
7 THERMAL BOTTOM RAIL



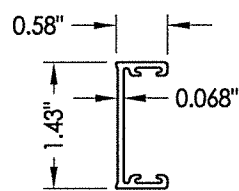
13 HP THERMAL ADAPTER



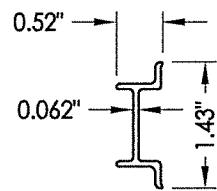
15 JAMB CHANNEL FILLER



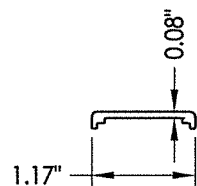
16 J-POST INTERLOCKER



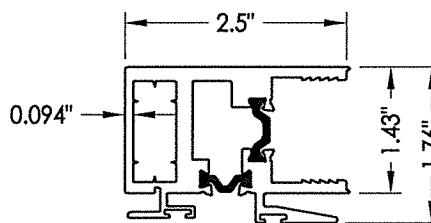
17 FEMALE YOLK



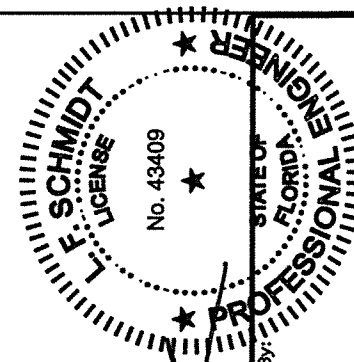
18 MALE YOLK



19 RAIL SPREADER



14 THERMAL FIXED INTERLOCK



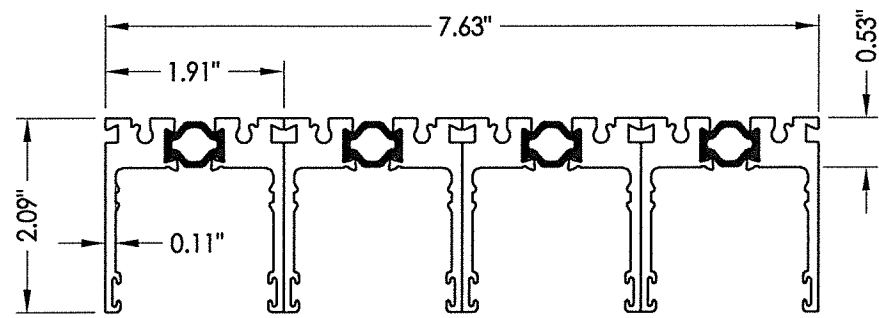
Lyndon F. Schmidt

August 10, 2020
Documents Prepared By:
Lyndon F. Schmidt
P.E. No. 43409

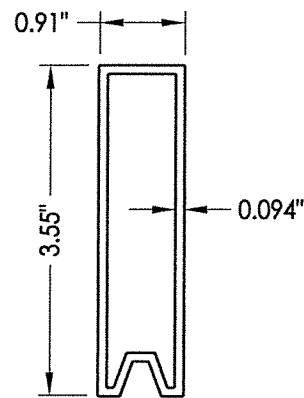
R.W.
BUILDING CONSULTANTS, INC.
P.O. Box 230, Valrico, FL 33595
Phone No.: 813.659.9197
FBPE Registry No. 9813

PRODUCT:		FLEETWOOD WINDOWS & DOORS	
DATE:		03/10/16	
SCALE:		N.T.S.	
DWG. BY:		JK	
CHK. BY:		LFS	
DRAWING NO.:		FL-15560.23	
SHEET		9 OF 11	
REVISIONS		COMPONENTS	
NO.	DATE	BY	
3	8/10/20	DAC	UPDATE TO 7th ED. (2020) FBC
2	08/08/17	LFS	UPDATE TO 6TH ED. (2017) FBC
1	6/01/15	LFS	CORRECTED GLAZING DLO

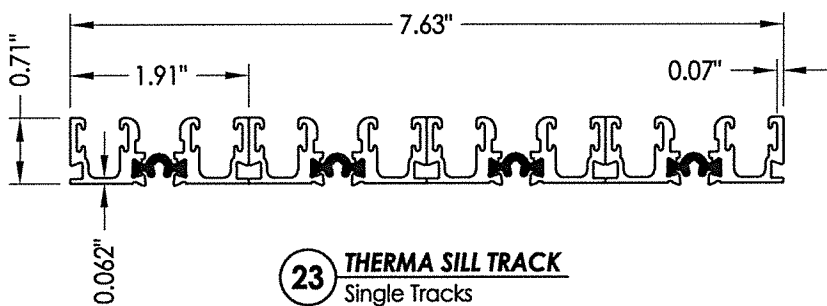
\\dc01\wbc\clients\Fleetwood PERMANENTVA - Florida Product Approvals\FL-15560 Sliding Patio DoorsC - Drawings\FL 15560 (2020)\FL-15560.23-24.dwg



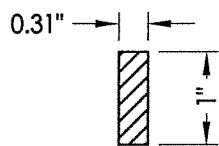
21 THERMA HEAD TRACK
Single Tracks
(4 Runs Shown)



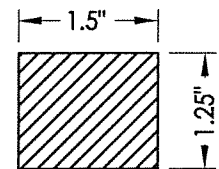
30 PANEL SETTING BLOCK



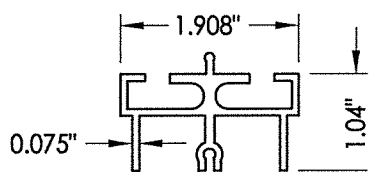
23 THERMA SILL TRACK
Single Tracks
(4 Runs Shown)



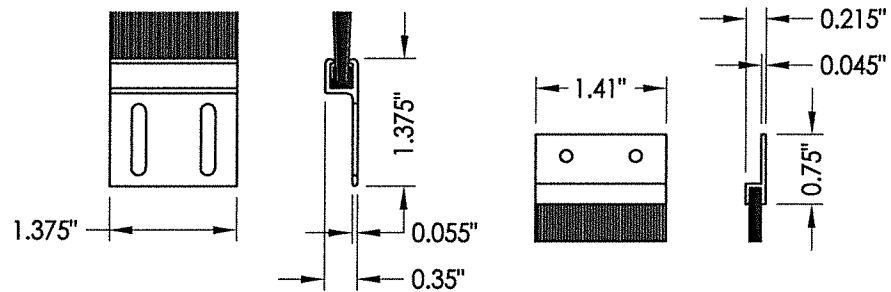
34 ALUMINUM REINFORCEMENT



35 ALUMINUM REINFORCEMENT

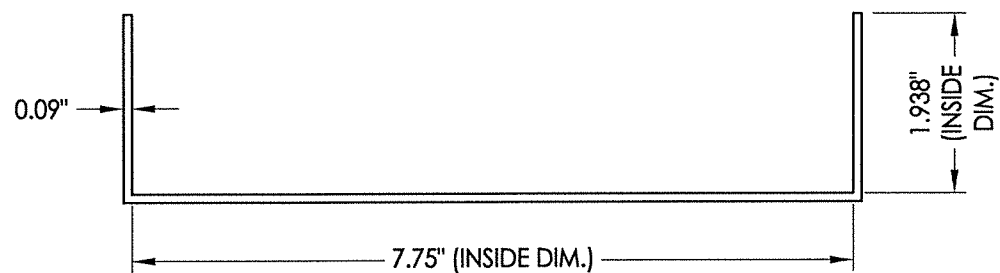


41 SUB-SILL TRACK SUPPORT

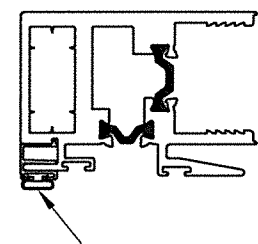


38 AIR BARRIER (HEAD)
@ INTERLOCK

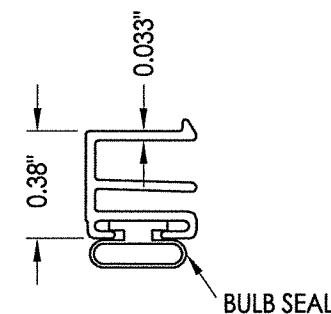
39 AIR BARRIER (SILL)
@ INTERLOCK



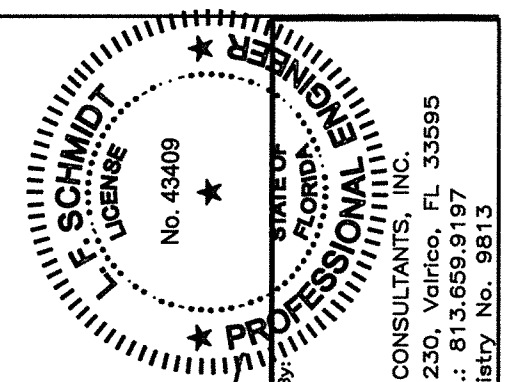
45 SUB-SILL PAN
3-Track shown



6" AIR BARRIER MOUNTED @ TOP & BOTTOM OF EXTERIOR INTERLOCK STILE



43 6" AIR BARRIER
@ INTERLOCK



August 10, 2020
Documents Prepared By:
Lyndon F. Schmidt
P.E. No. 43409
RW
BUILDING CONSULTANTS, INC.
P.O. Box 230, Valrico, FL 33595
Phone No.: 813.659.9197
FBPE Registry No. 9813

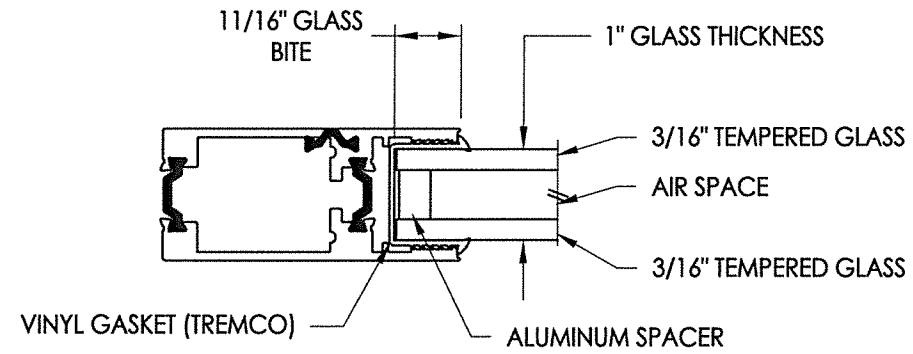
PRODUCT:		FLEETWOOD WINDOWS & DOORS	
PART OR ASSEMBLY:		COMPONENTS	
NO.	DATE	BY	REVISIONS
3	8/10/20	DAC	UPDATE TO 7th ED. (2020) FBC
2	08/08/17	LFS	UPDATE TO 6TH ED. (2017) FBC
1	6/01/15	LFS	CORRECTED GLAZING DLO

DATE: 03/10/16
SCALE: N.T.S.
DWG. BY: JK
CHK. BY: LFS
DRAWING NO.: FL-15560.23
SHEET 10 OF 11

\\dc01\wbc\Clients\Fleetwood PERMANENTVA - Florida Product Approvals\FL-15560 Sliding Patio Doors\C - Drawings\FL 15560 (2020)\FL-15560.23-24.dwg

BILL OF MATERIALS

ITEM #	DESCRIPTION	MATERIAL
A	1X BUCK SG >= 0.55	WOOD
B	2X BUCK SG >= 0.55	WOOD
C	1/4" MAX. SHIM SPACE	-
D	1/4" X 2-3/4" DeWALT OR ITW PFH CONCRETE SCREW	STEEL
E	MASONRY - 3,000 PSI MIN. CONCRETE CONFORMING TO ACI 301 OR HOLLOW BLOCK CONFORMING TO ASTM C90	CONCRETE
F	#10 X 2-1/2" PFH SMS (1-1/2" MIN. EMBEDMENT)	STEEL
G	3/16" X 2-3/4" ITW PFH CONCRETE SCREW	STEEL
H	3/16" X 2-1/4" ITW PFH CONCRETE SCREW	STEEL
J	3/16" X 3-1/4" ITW PFH CONCRETE SCREW	STEEL
K	1/4" X 2-1/4" DeWALT PFH CONCRETE SCREW	STEEL
L	#8 X 1/2" PFH SMS	STEEL
3	THERMAL JAMB TRACK (SINGLE TRACKS)	6063-T6 ALUM
4	SILL PAN (TRIPLE RUN)	5052 -ALUM
5	HEAD CHANNEL FILLER	6063-T6 ALUM
6	THERMAL TOP RAIL	6063-T6 ALUM
7	THERMAL BOTTOM RAIL	6063-T6 ALUM
8	TRACK	S.S.
9	THERMAL LOCK STILE (ARCHETYPE NARROW)	6063-T6 ALUM
10	SILL CHANNEL FILLER	6063-T6 ALUM
12	HP THERMAL INTERLOCK STILE	6063-T6 ALUM
13	HP THERMAL ADAPTER	6063-T6 ALUM
14	THERMAL FIXED INTERLOCK	6063-T6 ALUM
15	JAMB CHANNEL FILLER	6063-T6 ALUM
16	J-POST INTERLOCKER	6063-T6 ALUM
17	FEMALE YOLK	6063-T6 ALUM
18	MALE YOLK	6063-T6 ALUM
19	RAIL SPREADER	6063-T6 ALUM
21	THERMAL HEAD TRACK (SINGLE TRACKS)	6063-T6 ALUM
23	THERMAL SILL TRACK (SINGLE TRACKS)	6063-T6 ALUM
26	#8 X 3/4" PPH SMS	STEEL
27	PRIMARY LATCH	-
28	SECONDARY LATCH	-
29	HANDLE SET	-
30	PANEL SETTING BLOCK	6063-T6 ALUM
31	MAMMOTH ROLLER ASSEMBLY	-
32	SMALL FIN WEATHERSEAL (0.230" AMESBURY)	-
33	LARGE FIN WEATHERSEAL (0.290" AMESBURY)	-
34	0.31" X 1" ALUMINUM REINFORCEMENT	6061-T6 ALUM
35	1.5" X 1.25" ALUMINUM REINFORCEMENT	6061-T6 ALUM
38	AIR BARRIER (HEAD)	-
39	AIR BARRIER (SILL)	-
41	SUB-SILL TRACK SUPPORT	6063-T6 ALUM
42	#8 X 1" PFH TEK SCREW	STEEL
43	6" AIR BARRIER (INTERLOCK)	-
45	SUB-SILL PAN	5052 -ALUM



G1 GLAZING DETAIL
Dry Seal

August 10, 2020
 Documents Prepared By:
 Lyndon F. Schmidt
 P.E. No. 43409

R.W. BUILDING CONSULTANTS, INC.
 P.O. Box 230, Valrico, FL 33595
 Phone No.: 813.659.9197
 FBPE Registry No. 9813

PRODUCT:	FLEETWOOD WINDOWS & DOORS
PART OR ASSEMBLY:	BILL OF MATERIALS AND GLAZING DETAILS
REVISIONS	
NO.	DATE
3	8/10/20
2	08/08/17
1	6/01/15
DAC	(2020) FBC
LFS	(2017) FBC
LFS	CORRECTED GLAZING DLO
DATE: 03/10/16	
SCALE: N.T.S.	
DWG. BY: JK	
CHK. BY: LFS	
DRAWING NO.: FL-15560.23	
SHEET 11 OF 11	