

Z:\Clients\Fleetwood PERMANENT\A - Florida Product Approvals\FL-14904 Casement\C - Drawings\FL-14904 (2020) R8\FL-14904.1-6.dwg

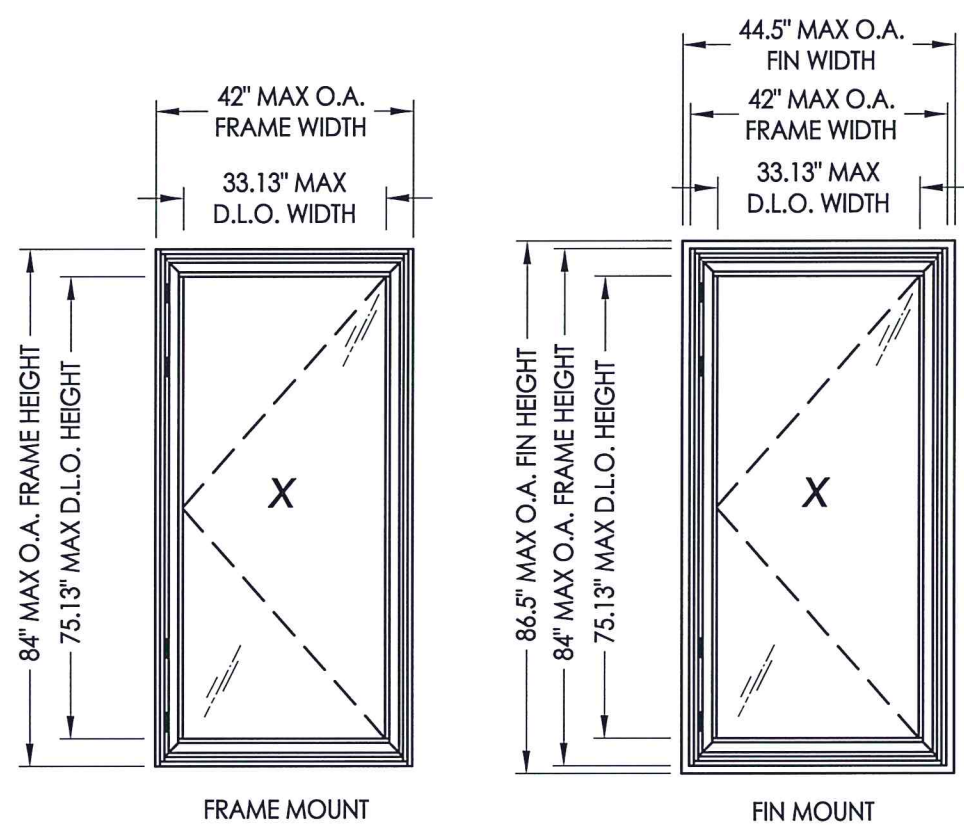
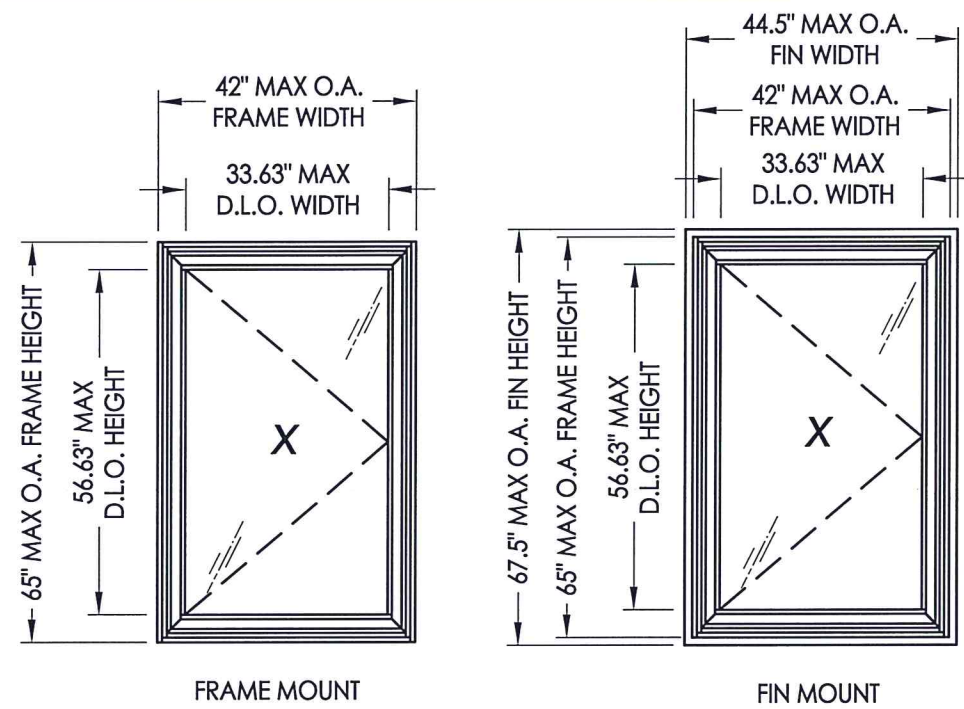


Series 3800-T w/ Series 350-T Aluminum Casement Window w/ Thermal Break Frame "IMPACT"

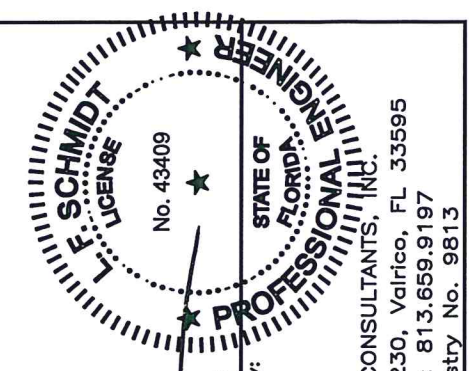
GENERAL NOTES

1. This product has been evaluated and is in compliance with the 7th Edition (2020) Florida Building Code (FBC) structural requirements excluding the "High Velocity Hurricane Zone" (HVHZ).
2. Product anchors shall be as listed and spaced as shown on details. Anchor embedment to base material shall be beyond wall dressing or stucco.
3. When used in areas requiring wind borne debris protection this product complies with FBC Sections 1609.1.2 & R301.2.1.2 and does not require an impact resistant covering. This product meets missile level "D" and includes Wind Zone 4 as defined in ASTM E1996 and FBC Sections 1609.1.2.2 & R301.2.1.2.1.
4. For 2x stud framing construction, anchoring of these units shall be the same as that shown for 2x buck masonry construction.
5. Site conditions that deviate from the details of this drawing require further engineering analysis by a licensed engineer or registered architect.

TABLE OF CONTENTS	
SHEET#	DESCRIPTION
1	Typical elevations, design pressures and general notes
2	Elevations
3	Horizontal and vertical cross sections
4	Horizontal and vertical cross sections
5	Vertical cross section
6	Buck and frame anchoring
7	Buck and frame anchoring
8	Glazing detail
9	Bill of materials and components

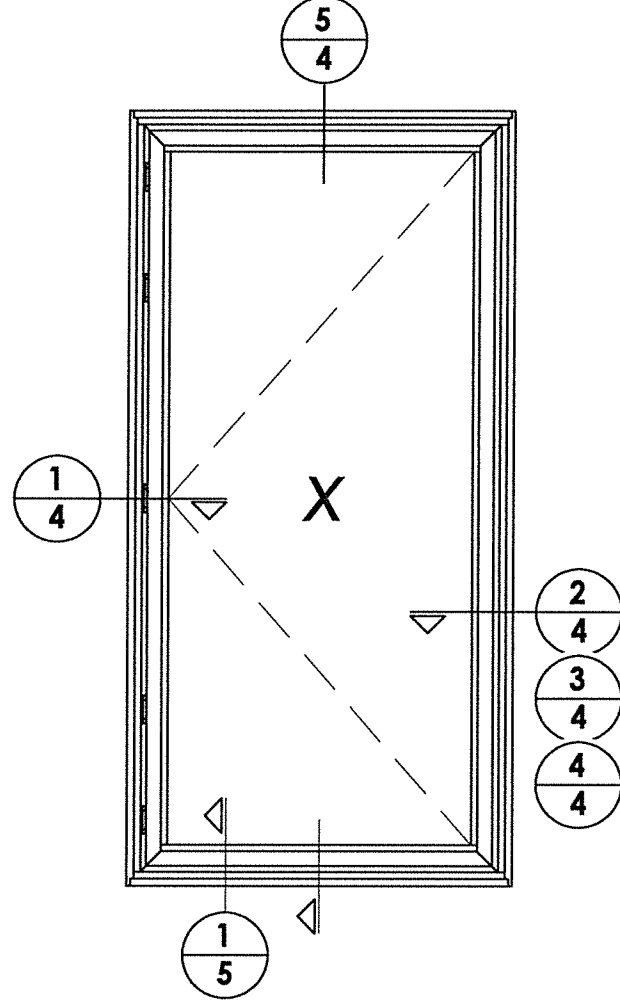
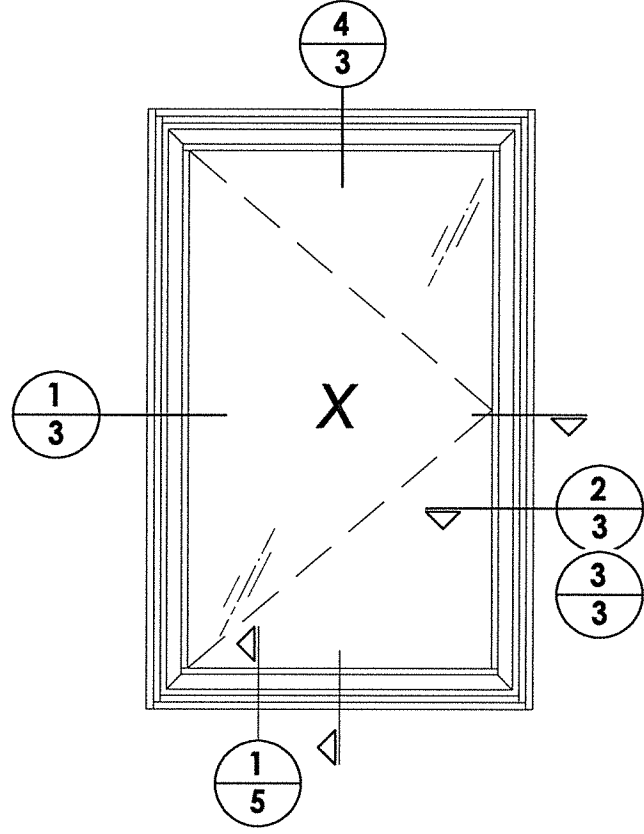


OVERALL FIN DIMENSION	OVERALL FRAME DIMENSION	OVERALL D.L.O. DIMENSION	GLASS TYPE	DESIGN PRESSURE (PSF)	
				POSITIVE	NEGATIVE
44.5" X 67.5"	42" X 65"	33.63" X 56.63"	G1, G2, G3, G4, G5	+65.0	-65.0
44.5" X 86.5"	42" X 84"	33.13" X 75.13"	G1, G2, G3, G4, G5	+65.0	-65.0

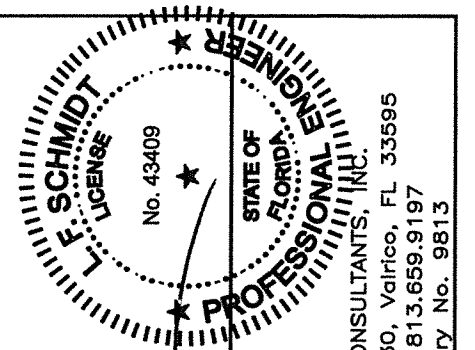


December 7, 2021
 Documents Prepared By:
 Lyndon F. Schmidt
 P.E. No. 43409
 R.W. BUILDING CONSULTANTS, INC.
 P.O. Box 230, Valrico, FL 33595
 Phone No.: 813.659.9197
 FBPE Registry No. 9813

PRODUCT:		FLEETWOOD WINDOWS AND DOORS	
PART OR ASSEMBLY:		TYPICAL ELEVATION, DESIGN PRESSURES & GENERAL NOTES	
NO.	DATE	BY	REVISIONS
5	12/7/21	LFS	SERIES NAME CHANGE
4	8/06/20	DAC	UPDATE TO 7TH ED. (2020) FBC
3	8/07/17	LFS	UPDATE TO 6TH ED. (2017) FBC
2	8/22/16	LFS	RENUMBER DRAWINGS
1	1/22/15	LFS	UPDATE TO 5TH ED. (2014) FBC
DATE: 10/23/13			
SCALE: N.T.S.			
DWG. BY: JK			
CHK. BY: LFS			
DRAWING NO.: FL-14904.3			
SHEET 1 OF 9			



HARDWARE TABLE			
HINGE			
Qty.	Description	Height	Snubbers
5	Butt hinge	≤ 84"	Not Req'd
4	Butt hinge	≤ 84"	Yes (2)
2	Butt hinge	≤ 50"	Yes (2)
2	4 Bar hinge	≤ 65"	Yes (3)
HANDLES			
Points	Description	Height	*Cam locks can be used in conjunction with multipoint lock or in lieu of multipoint locks
4	Multipoint	> 72"	
3	Multipoint	≤ 72"	
Qty.			
3	Cam*	≤ 65"	
1	Cam*	≤ 50"	

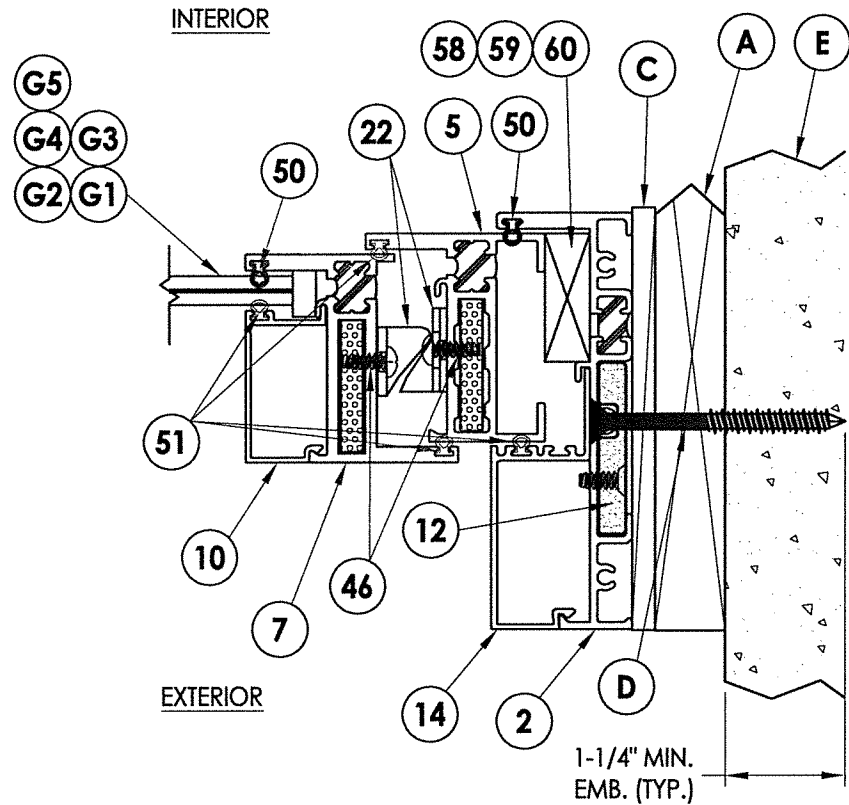


December 7, 2021
 Documents Prepared By:
 Lyndon F. Schmidt
 P.E. No. 43409

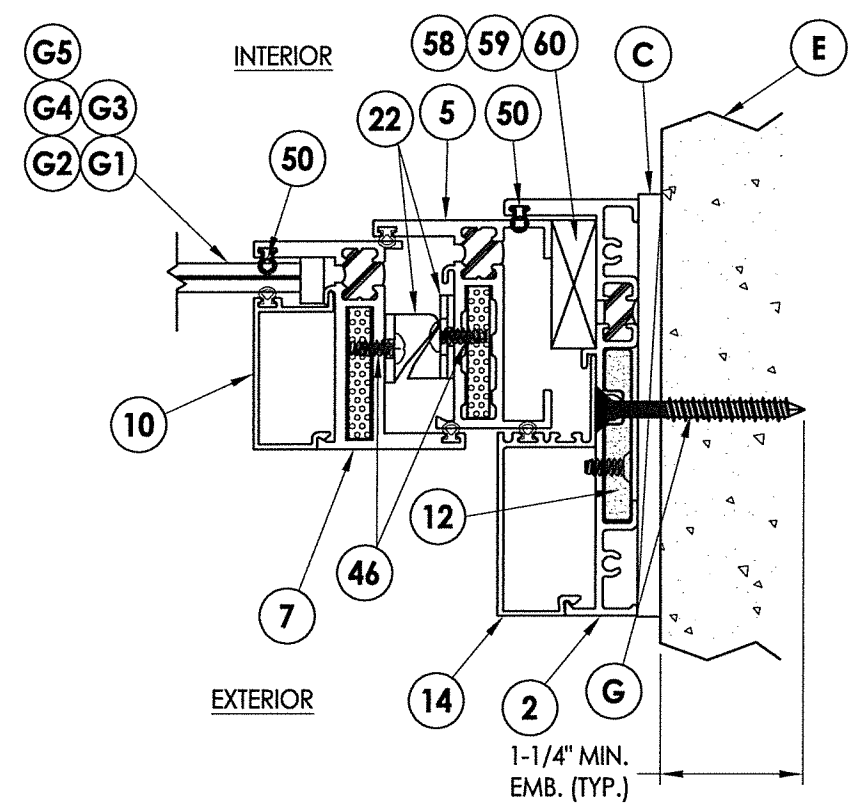
RW
 BUILDING CONSULTANTS, INC.
 P.O. Box 230, Vairico, FL 33595
 Phone No.: 813.659.9197
 FBPE Registry No. 9813

PRODUCT:		FLEETWOOD WINDOWS AND DOORS
PART OR ASSEMBLY:		ELEVATIONS
NO.	DATE	REVISIONS
5	12/7/21	SERIES NAME CHANGE
4	8/06/20	UPDATE TO 7th ED. (2020) FBC
3	8/07/17	UPDATE TO 6TH ED. (2017) FBC
2	8/22/16	RENUMBER DRAWINGS
1	1/22/15	UPDATE TO 5TH ED. (2014) FBC
		BY
DATE:		10/23/13
SCALE:		N.T.S.
DWG. BY:		JK
CHK. BY:		LFS
DRAWING NO.:		FL-14904.3
SHEET		2 OF 9

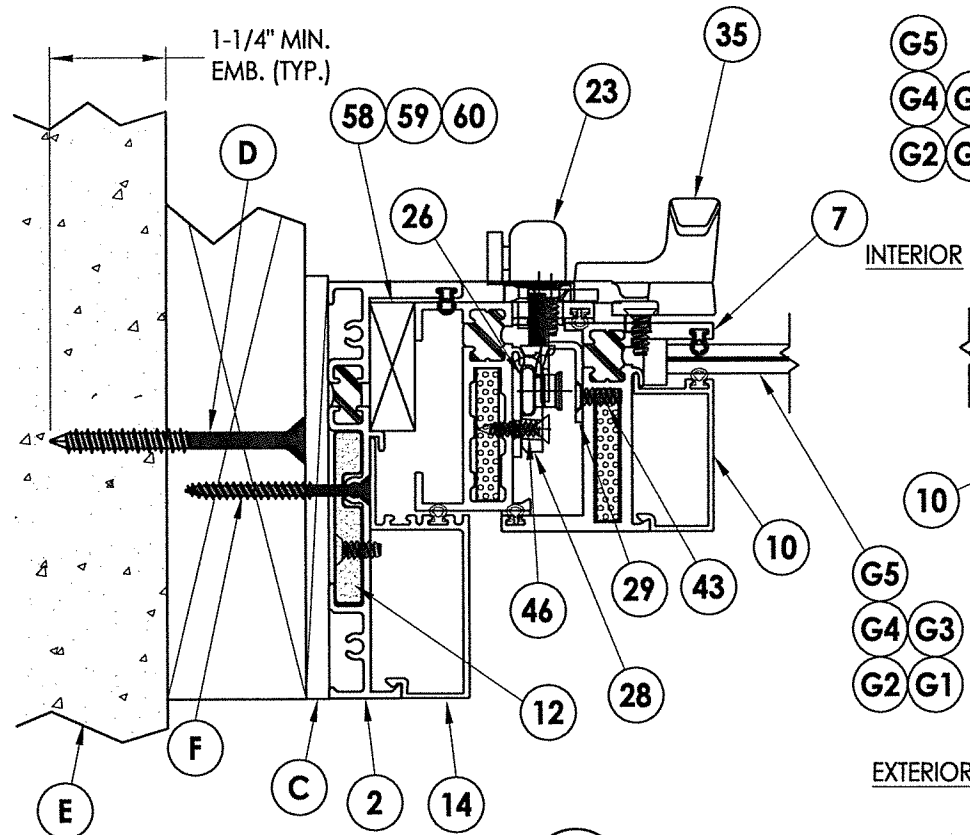
Z:\Clients\Fleetwood PERMANENTVA - Florida Product Approvals\FL-14904 Casement\C - Drawings\FL-14904 (2020) R8\FL-14904.1-6.dwg



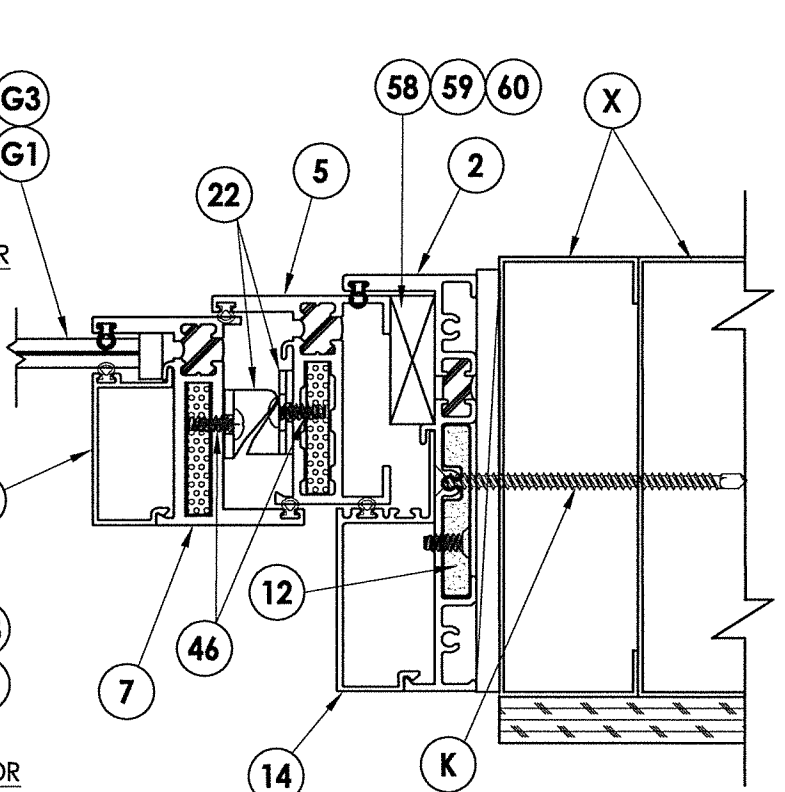
2 HORIZONTAL CROSS SECTION
3 Shown w/ 1X Sub buck option



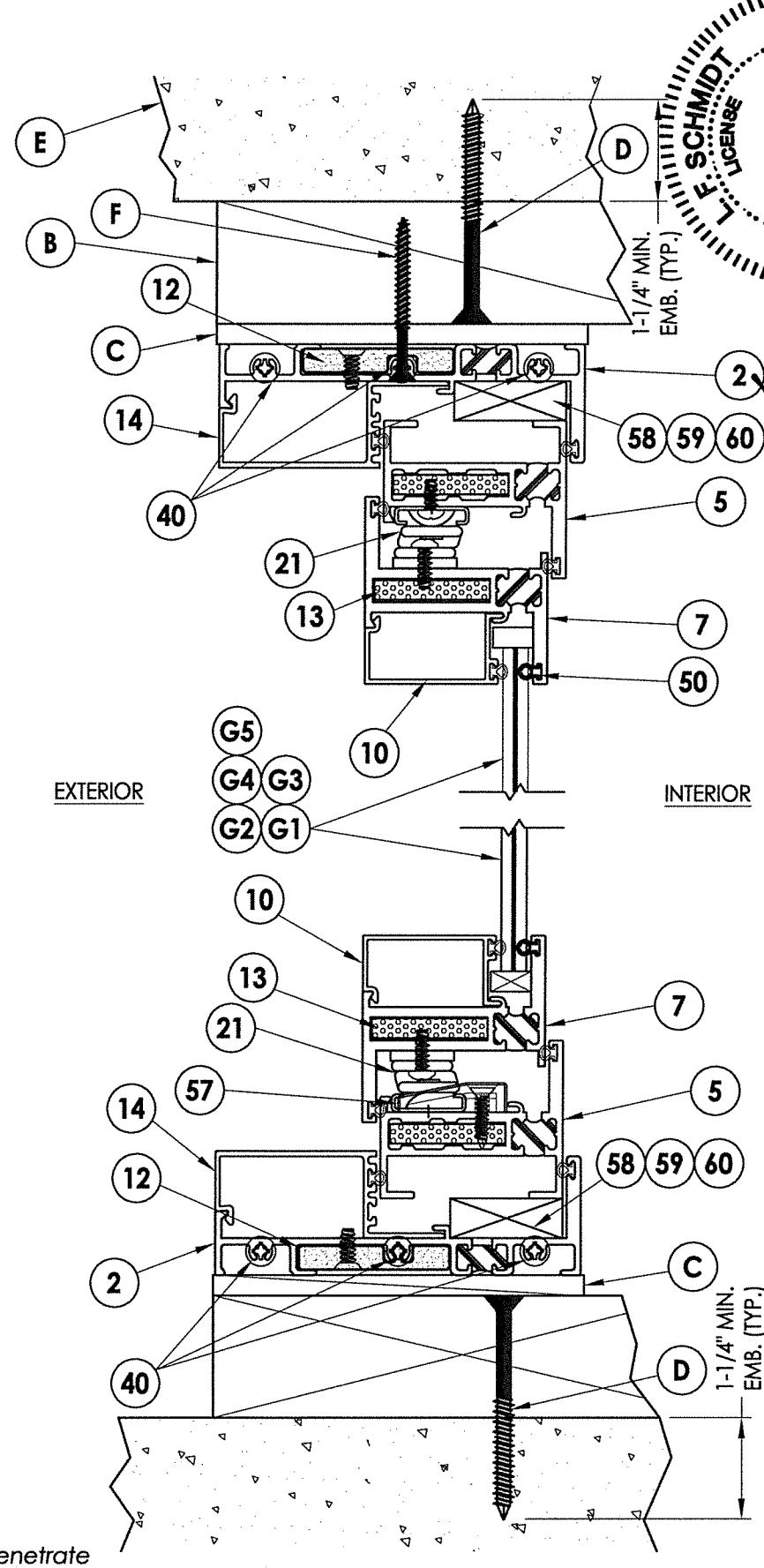
3 HORIZONTAL CROSS SECTION
3 Shown w/ Direct to Masonry option



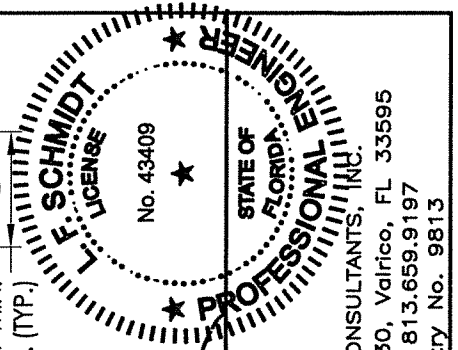
1 HORIZONTAL CROSS SECTION
3 Show W/ 2X Buck and Steel Stud options



NOTE: Sheet Metal Screws must penetrate a min. of 3 threads through at least two (2) sheets of metal.



4 VERTICAL CROSS SECTION
3 Shown w/ 2X Buck Construction



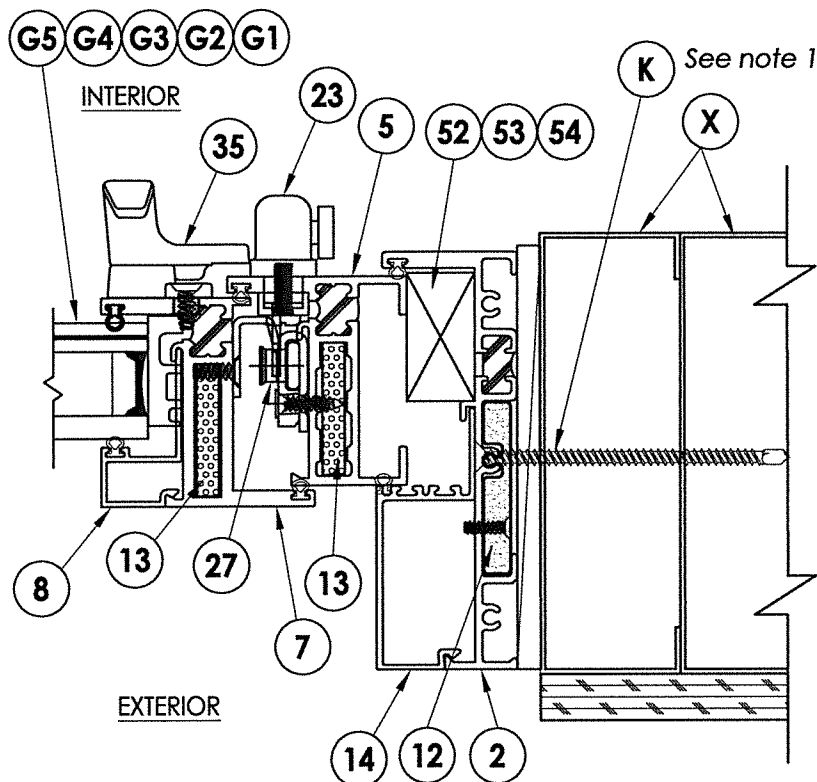
December 7, 2021
 Documents Prepared By:
 Lyndon F. Schmidt
 P.E. No. 43409
 R.W. BUILDING CONSULTANTS, INC.
 P.O. Box 230, Valrico, FL 33595
 Phone No.: 813.659.9197
 FBPE Registry No. 9813

PRODUCT:
 FLEETWOOD WINDOWS AND DOORS
 PART OR ASSEMBLY:
 HORIZONTAL AND VERTICAL CROSS SECTIONS

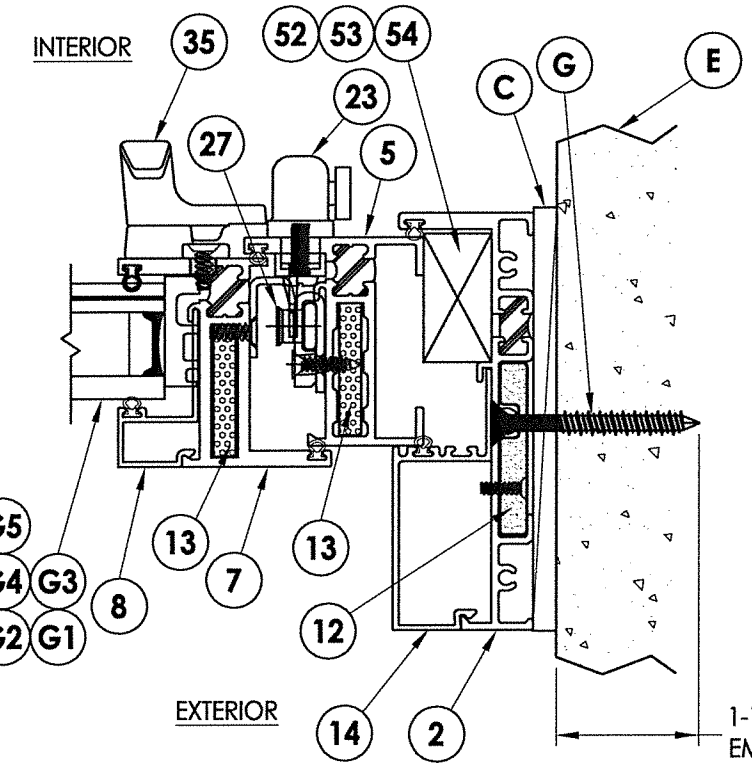
NO.	DATE	REVISIONS
5	12/7/21	SERIES NAME CHANGE
4	8/06/20	UPDATE TO 7th ED. (2020) FBC
3	8/07/17	UPDATE TO 6TH ED. (2017) FBC
2	8/22/16	RENUMBER DRAWINGS
1	1/22/15	UPDATE TO 5TH ED. (2014) FBC

DATE: 10/23/13
 SCALE: N.T.S.
 DWG. BY: JK
 CHK. BY: LFS
 DRAWING NO.: FL-14904.3
 SHEET 3 OF 9

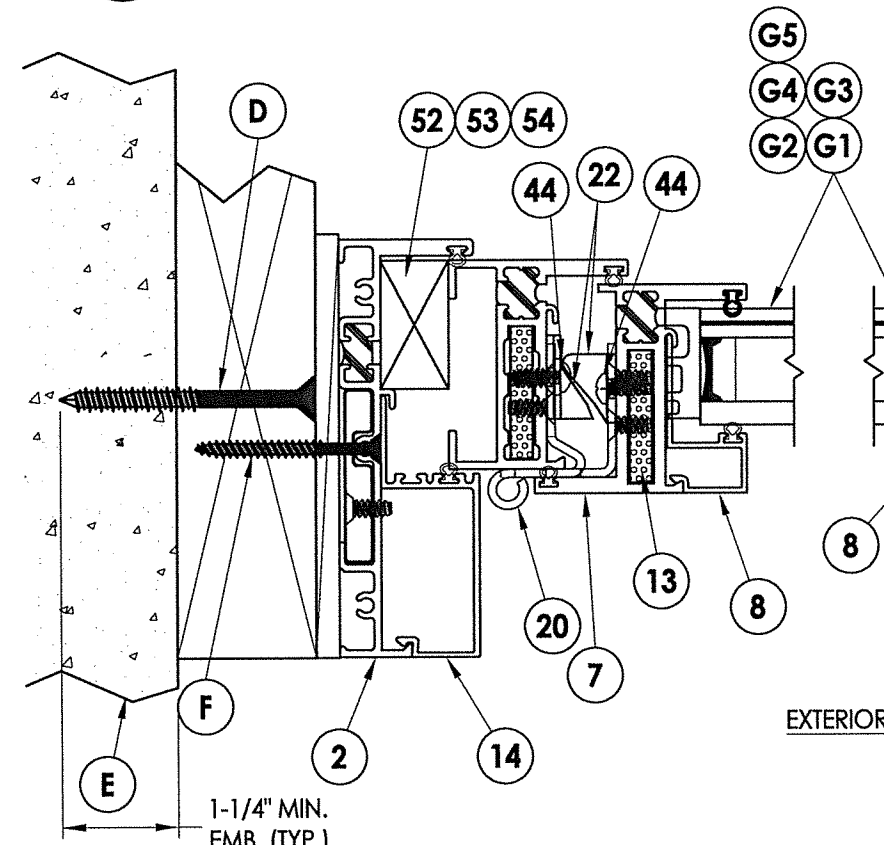
Z:\Clients\Fleetwood PERMANENTA - Florida Product Approvals\FL-14904 Casement\C - Drawings\FL-14904 (2020) R8\FL-14904.1-6.dwg



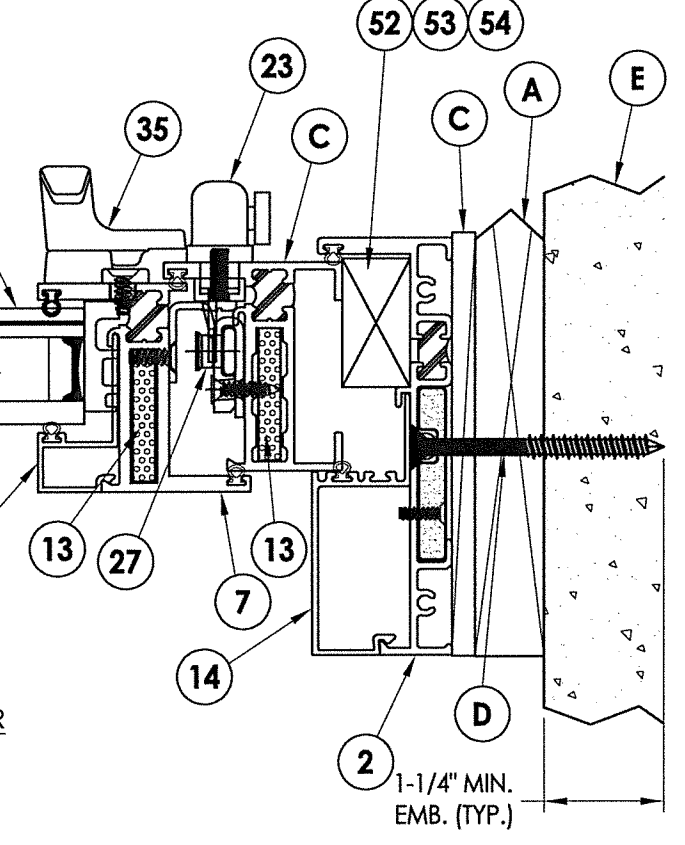
3 HORIZONTAL CROSS SECTION
4 Shown w/ Steel Stud option



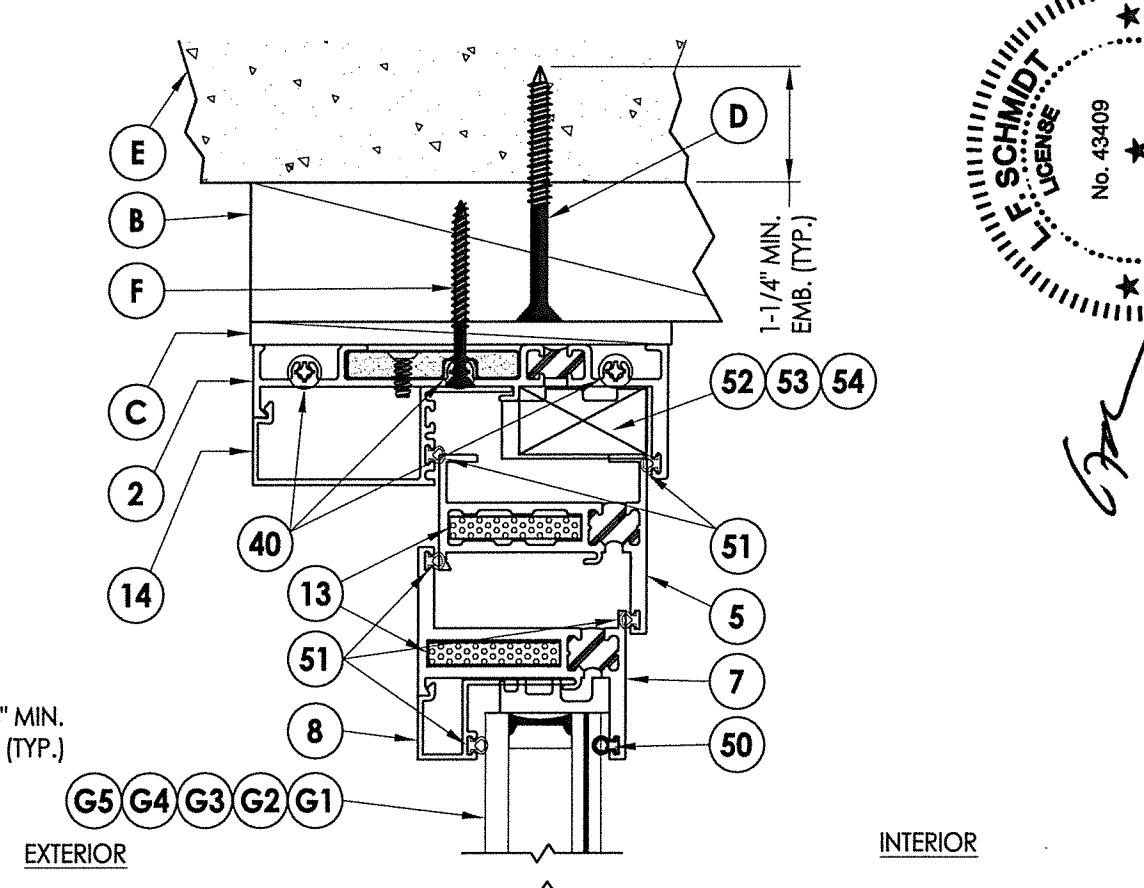
4 HORIZONTAL CROSS SECTION
4 Shown w/ Direct to Masonry option



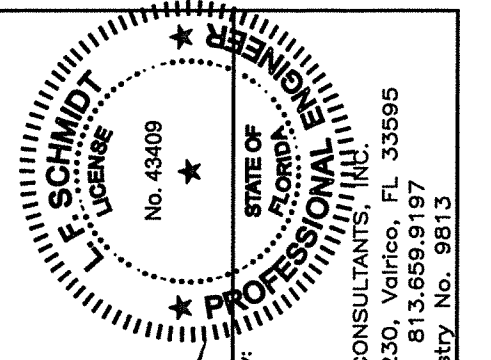
1 HORIZONTAL CROSS SECTION
4 Shown w/ 2X Buck Construction



2 HORIZONTAL CROSS SECTION
4 Shown w/ 1X Sub buck option



5 VERTICAL CROSS SECTION
4 Shown w/ 2X Buck Construction



December 7, 2021
 Documents Prepared By:
 Lyndon F. Schmidt
 P.E. No. 43409
 R.W. BUILDING CONSULTANTS, INC.
 P.O. Box 230, Valrico, FL 33595
 Phone No.: 813.659.9197
 FBPE Registry No. 9813

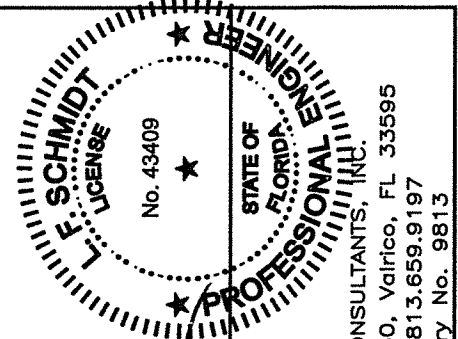
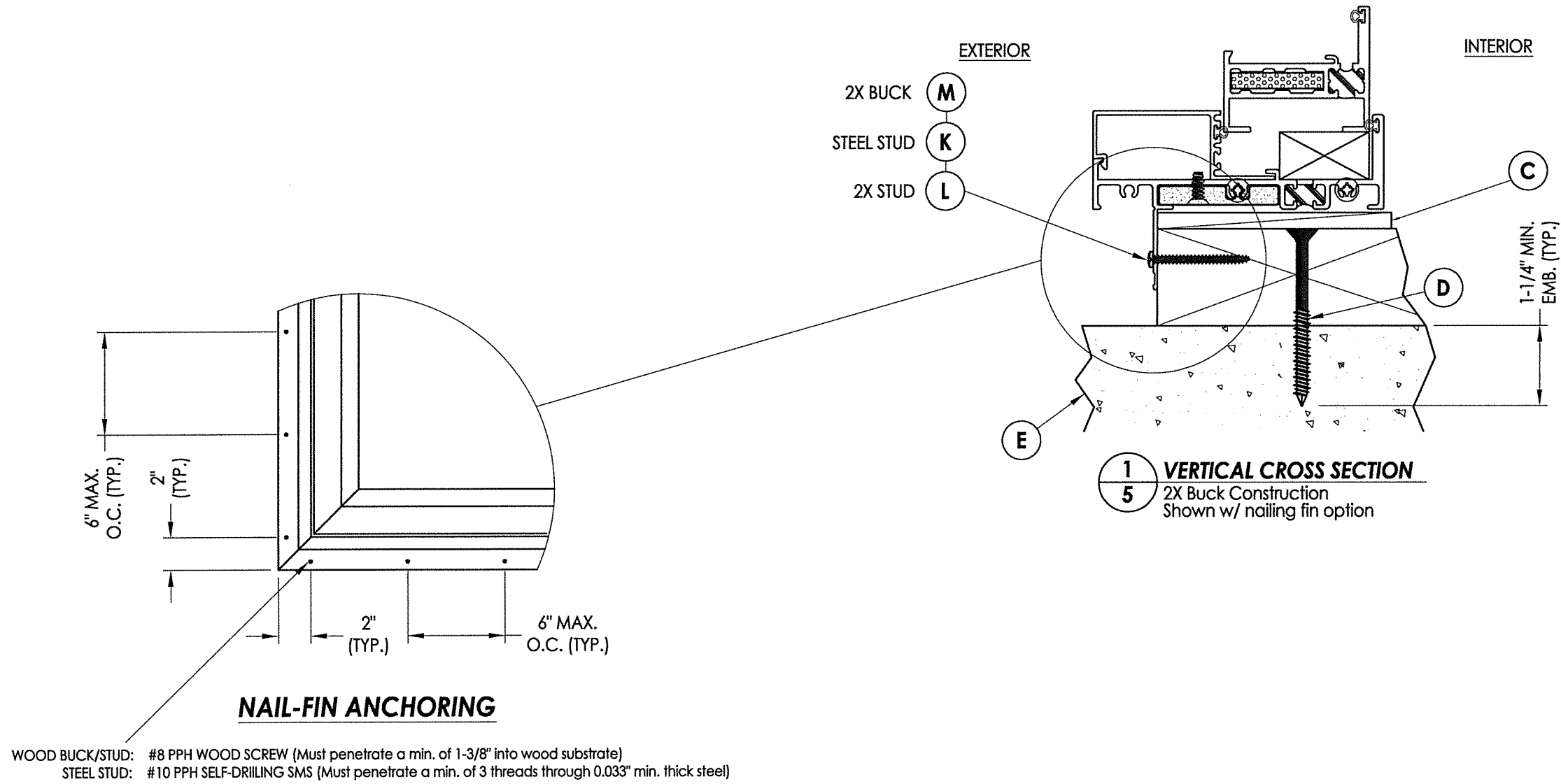
PRODUCT:
 FLEETWOOD WINDOWS AND DOORS
 PART OR ASSEMBLY:
 HORIZONTAL AND VERTICAL CROSS SECTIONS

NO.	DATE	DESCRIPTION	BY
5	12/7/21	SERIES NAME CHANGE	LFS
4	8/06/20	UPDATE TO 7th ED. (2020) FBC	DAC
3	8/07/17	UPDATE TO 6TH ED. (2017) FBC	LFS
2	8/22/16	RENUMBER DRAWINGS	LFS
1	1/22/15	UPDATE TO 5TH ED. (2014) FBC	LFS

DATE: 10/23/13
 SCALE: N.T.S.
 DWG. BY: JK
 CHK. BY: LFS
 DRAWING NO.: FL-14904.3
 SHEET 4 OF 9

NOTE:
 1. Sheet Metal Screws must penetrate a min. of 3 threads through at least two (2) sheets of metal.

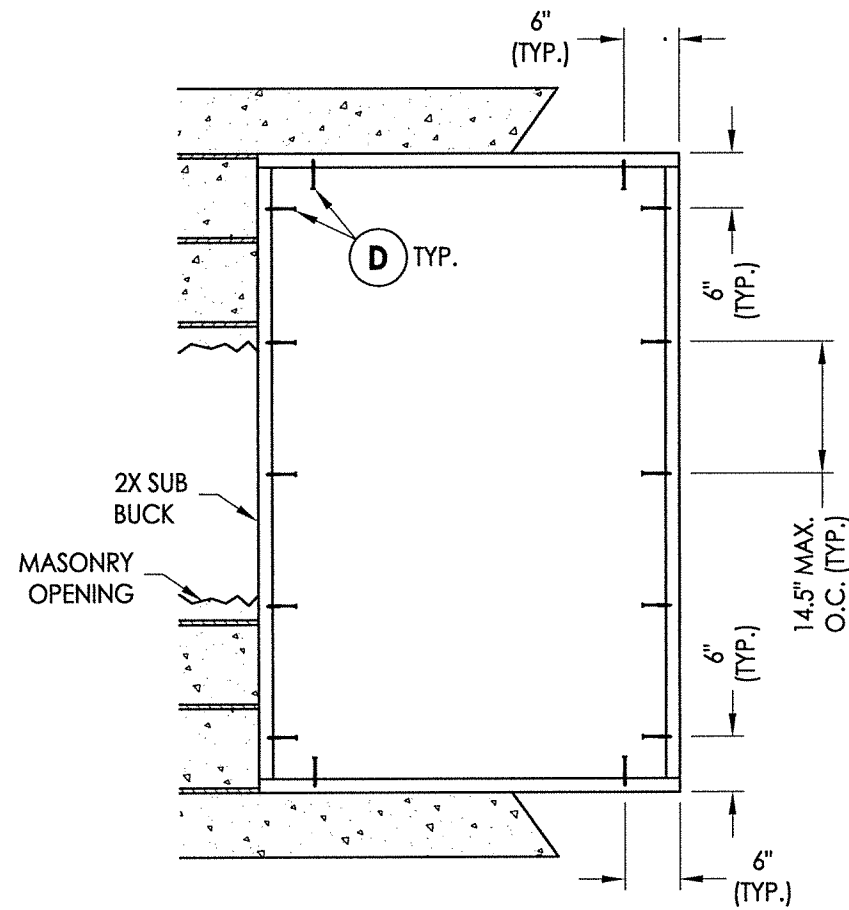
© 2013 R.W. BUILDING CONSULTANTS INC.



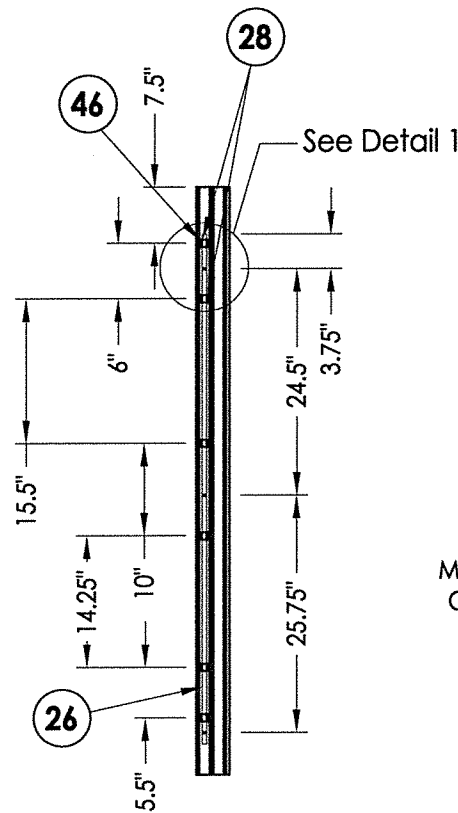
December 7, 2021
 Documents Prepared By:
 Lyndon F. Schmidt
 P.E. No. 43409

RW BUILDING CONSULTANTS, INC.
 P.O. Box 230, Vairico, FL 33595
 Phone No.: 813.659.9197
 FBPE Registry No. 9813

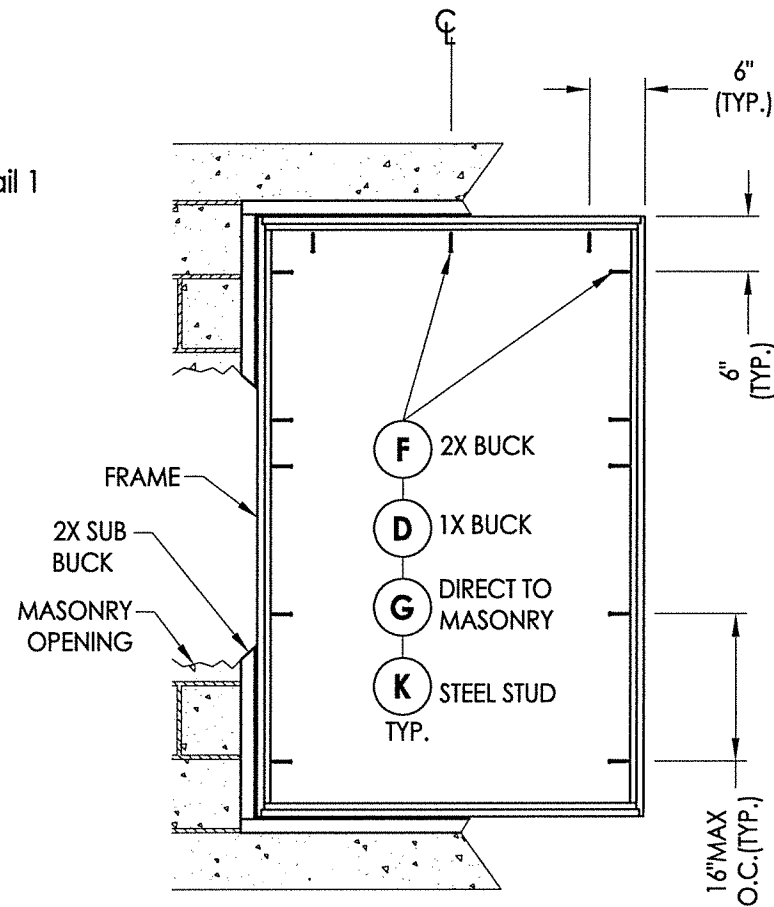
PRODUCT:		FLEETWOOD WINDOWS AND DOORS	
PART OR ASSEMBLY:		VERTICAL CROSS SECTION	
5	12/7/21	LFS	BY
4	8/06/20	DAC	
3	8/07/17	LFS	
2	8/22/16	LFS	
1	1/22/15	LFS	
	NO. DATE		
DATE: 10/23/13			
SCALE: N.T.S.			
DWG. BY: JK			
CHK. BY: LFS			
DRAWING NO.: FL-14904.3			
SHEET 5 OF 9			



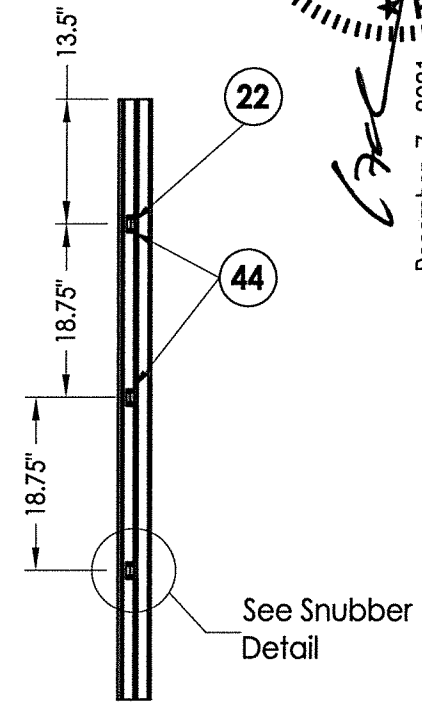
2X BUCK ANCHORING
42" X 65" Max Size



LOCK JAMB
Locking Points (3)



FRAME MOUNT ANCHORING
42" X 65" Max Size



SNUBBERS JAMB

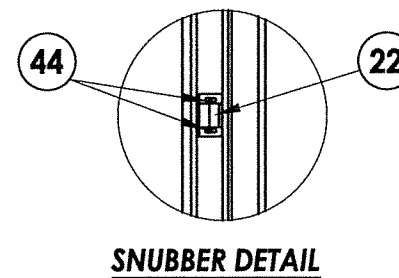
CONCRETE ANCHOR NOTES:

- Concrete anchor locations at the corners may be adjusted to maintain the min. edge distance to mortar joints.
- Concrete anchor locations noted as "MAX. ON CENTER" must be adjusted to maintain the min. edge distance to mortar joints, additional concrete anchors may be required to ensure the "MAX. ON CENTER" dimension are not exceeded.
- Concrete anchor table:

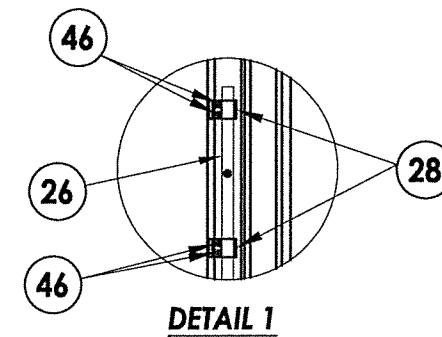
ANCHOR TYPE	ANCHOR SIZE	MIN. EMBEDMENT	MIN. CLEARANCE TO MASONRY EDGE	MIN. CLEARANCE TO ADJACENT ANCHOR
ITW TAPCON®	1/4"	1-1/4"	2"	4"
DeWALT ULTRACON+®	1/4"	1-1/4"	1"	4"

WOOD SCREW INSTALLATION NOTES:

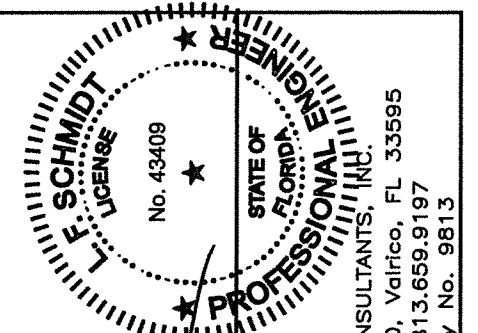
- Maintain a minimum 5/8" edge distance, 1" end distance, & 1" o.c. spacing of wood screws to prevent the splitting of wood.



SNUBBER DETAIL



DETAIL 1



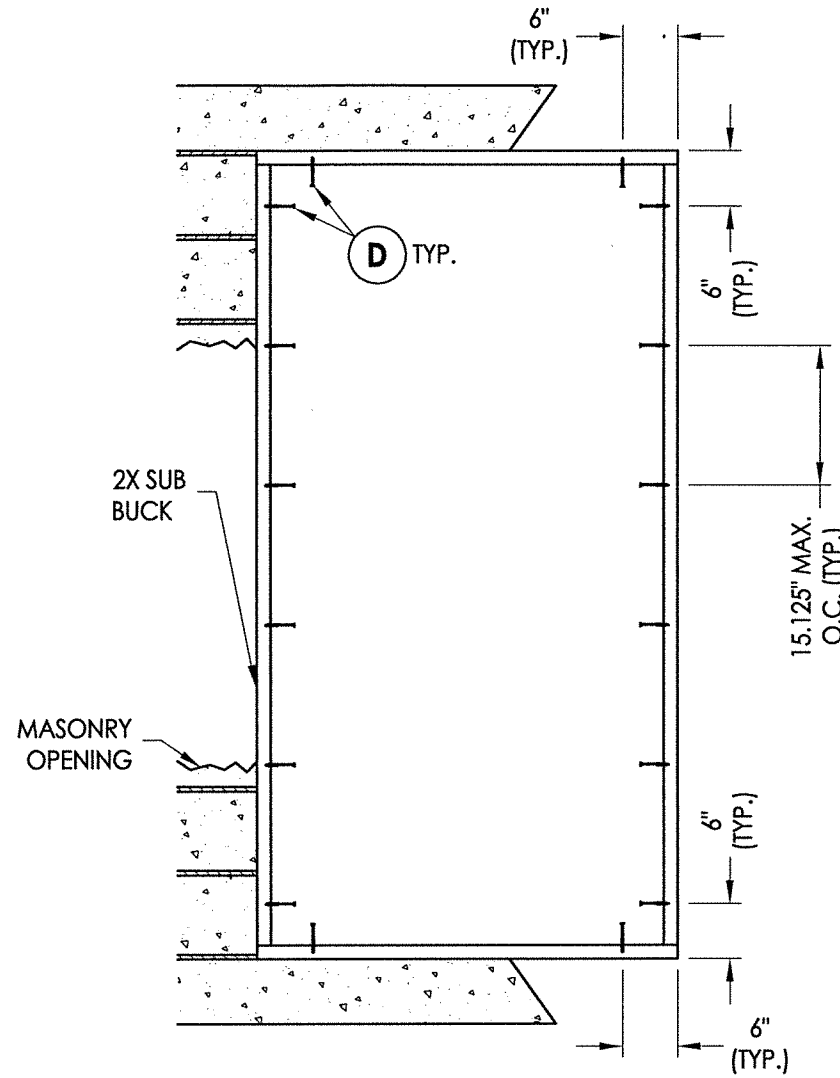
December 7, 2021
Documents Prepared By:
Lyndon F. Schmidt
P.E. No. 43409

R.W. BUILDING CONSULTANTS, INC.
P.O. Box 230, Valrico, FL 33595
Phone No.: 813.659.9197
FBPE Registry No. 9813

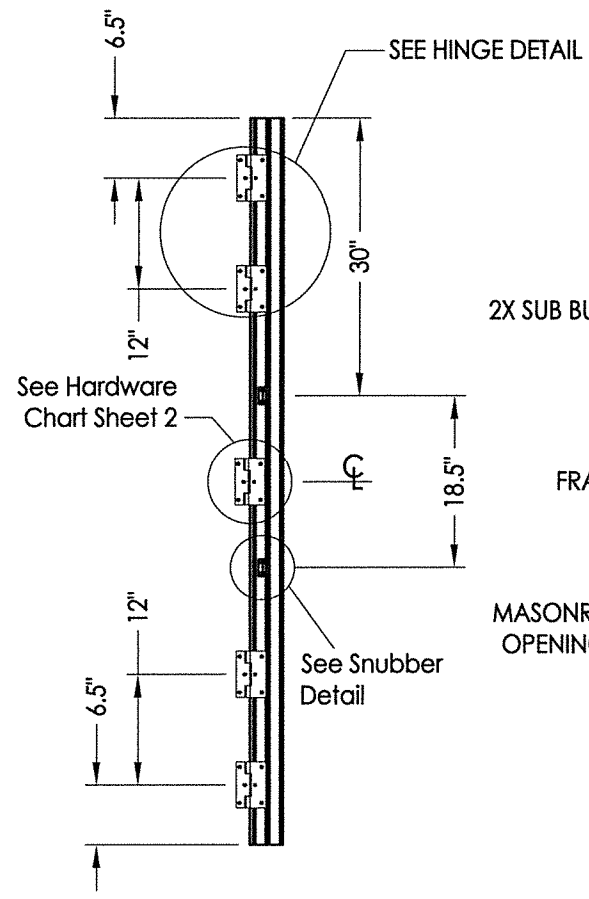
PRODUCT: FLEETWOOD WINDOWS AND DOORS
PART OR ASSEMBLY: BUCK & FRAME ANCHORING

NO.	DATE	REVISIONS
5	12/7/21	SERIES NAME CHANGE
4	8/06/20	UPDATE TO 7TH ED. (2020) FBC
3	8/07/17	UPDATE TO 6TH ED. (2017) FBC
2	8/22/16	RENUMBER DRAWINGS
1	1/22/15	UPDATE TO 5TH ED. (2014) FBC

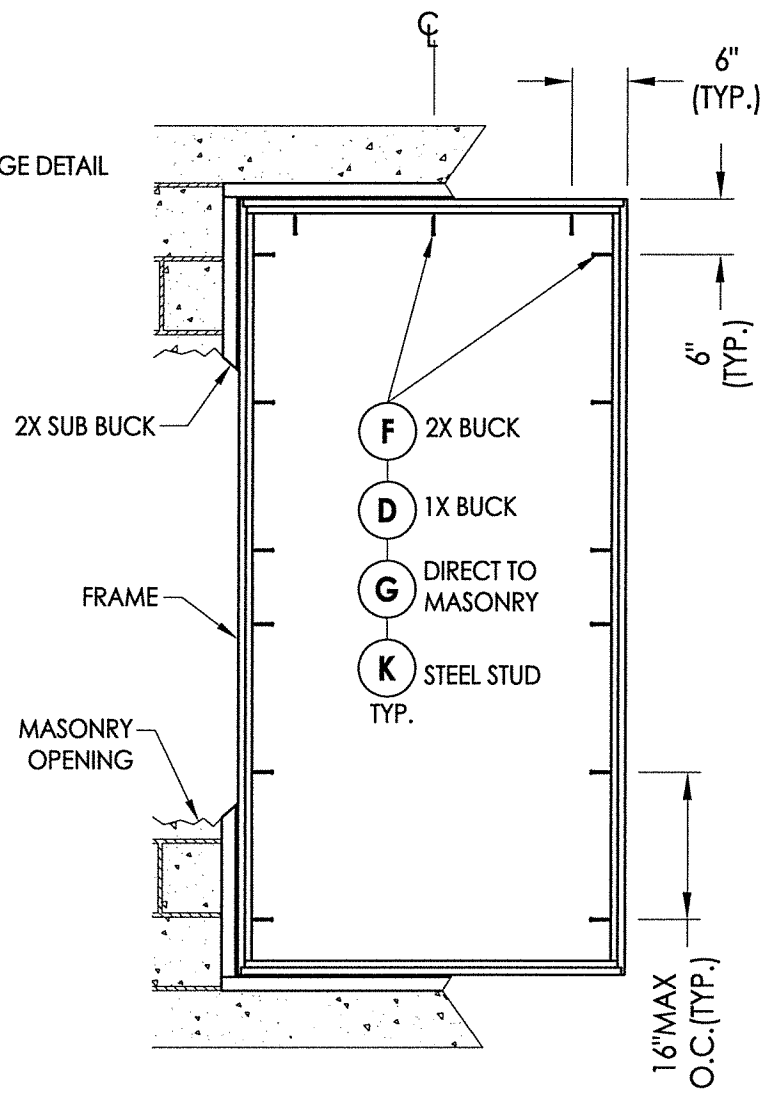
DATE: 10/23/13
SCALE: N.T.S.
DWG. BY: JK
CHK. BY: LFS
DRAWING NO.: FL-14904.3
SHEET 6 OF 9



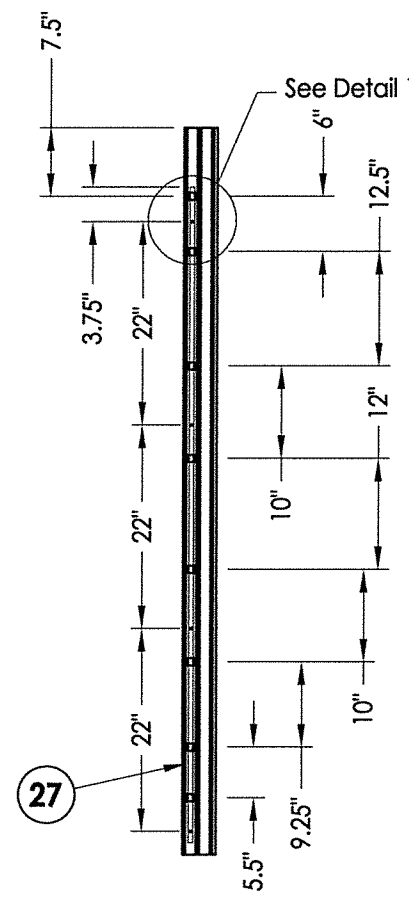
2X BUCK ANCHORING
42" X 84" Max Size



HINGE JAMB



FRAME MOUNT ANCHORING
42" X 84" Max Size



LOCK JAMB
Locking Points (4)

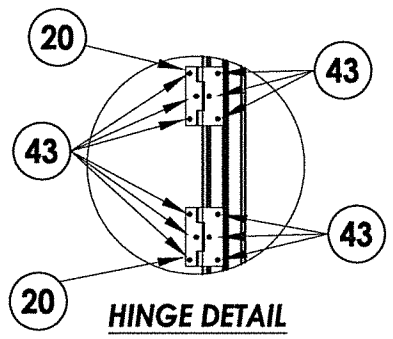
CONCRETE ANCHOR NOTES:

1. Concrete anchor locations at the corners may be adjusted to maintain the min. edge distance to mortar joints.
2. Concrete anchor locations noted as "MAX. ON CENTER" must be adjusted to maintain the min. edge distance to mortar joints, additional concrete anchors may be required to ensure the "MAX. ON CENTER" dimension are not exceeded.
3. Concrete anchor table:

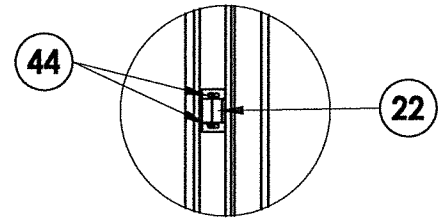
ANCHOR TYPE	ANCHOR SIZE	MIN. EMBEDMENT	MIN. CLEARANCE TO MASONRY EDGE	MIN. CLEARANCE TO ADJACENT ANCHOR
ITW TAPCON®	1/4"	1-1/4"	2"	4"
DeWALT ULTRACON®	1/4"	1-1/4"	1"	4"

WOOD SCREW INSTALLATION NOTES:

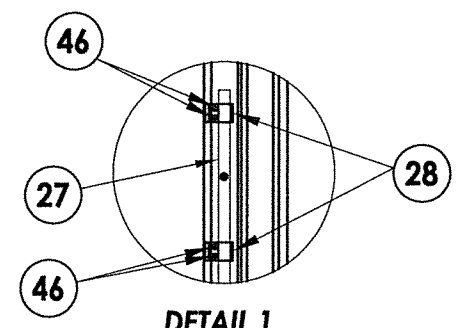
1. Maintain a minimum 5/8" edge distance, 1" end distance, & 1" o.c. spacing of wood screws to prevent the splitting of wood.



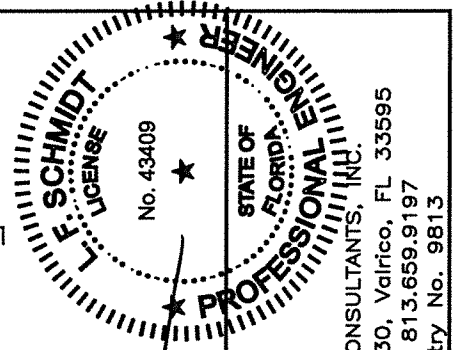
HINGE DETAIL



SNUBBER DETAIL



DETAIL 1

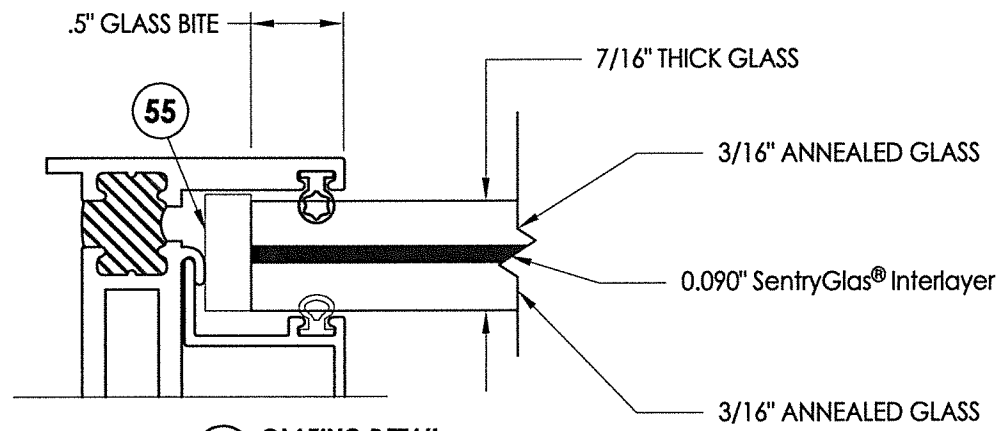


December 7, 2021
 Documents Prepared By:
 Lyndon F. Schmidt
 P.E., No. 4-3409
 R.W. BUILDING CONSULTANTS, INC.
 P.O. Box 230, Valrico, FL 33595
 Phone No.: 813.659.9197
 FBPE Registry No. 9813

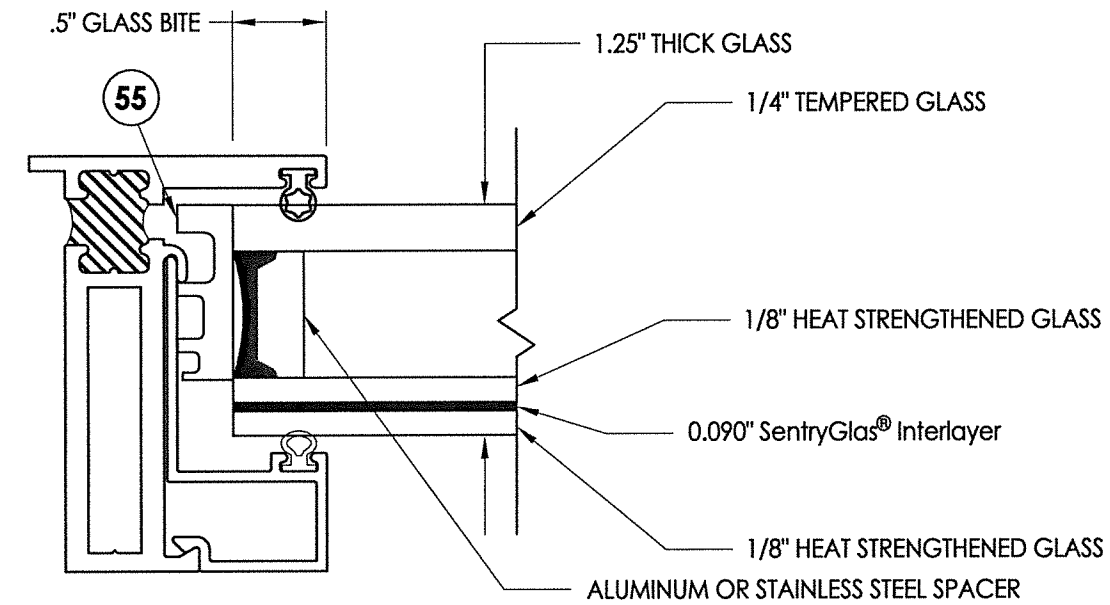
PRODUCT:
 FLEETWOOD WINDOWS AND DOORS
 PART OR ASSEMBLY:
 BUCK & FRAME ANCHORING

NO.	DATE	REVISIONS
5	12/7/21	SERIES NAME CHANGE
4	8/06/20	UPDATE TO 7TH ED. (2020) FBC
3	8/07/17	UPDATE TO 6TH ED. (2017) FBC
2	8/22/16	RENUMBER DRAWINGS
1	1/22/15	UPDATE TO 5TH ED. (2014) FBC

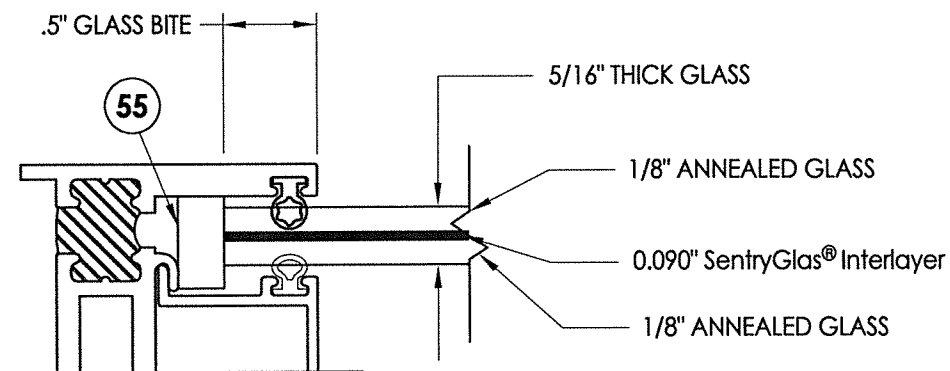
DATE: 10/23/13
 SCALE: N.T.S.
 DWG. BY: JK
 CHK. BY: LFS
 DRAWING NO.: FL-14904.3
 SHEET 7 OF 9



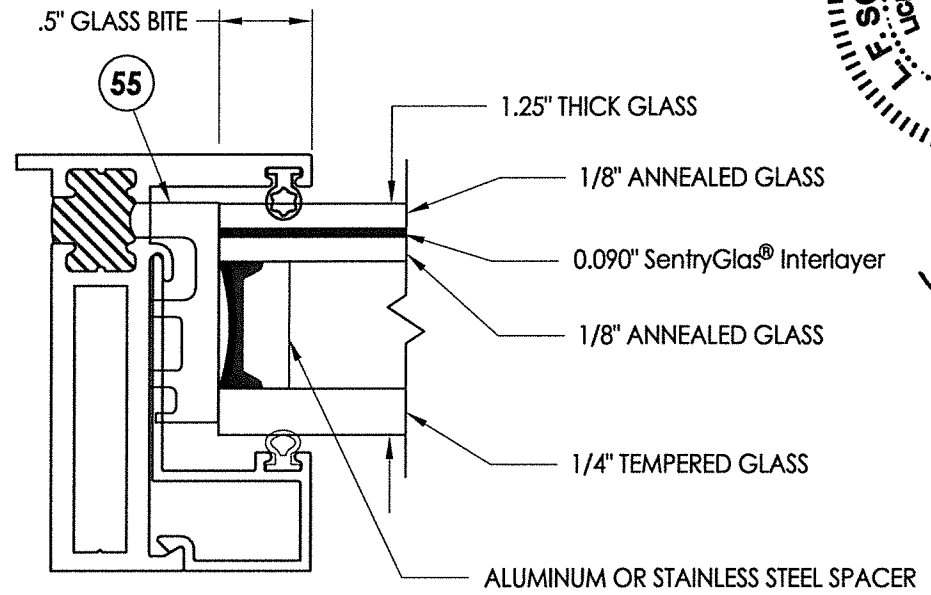
G3 GLAZING DETAIL



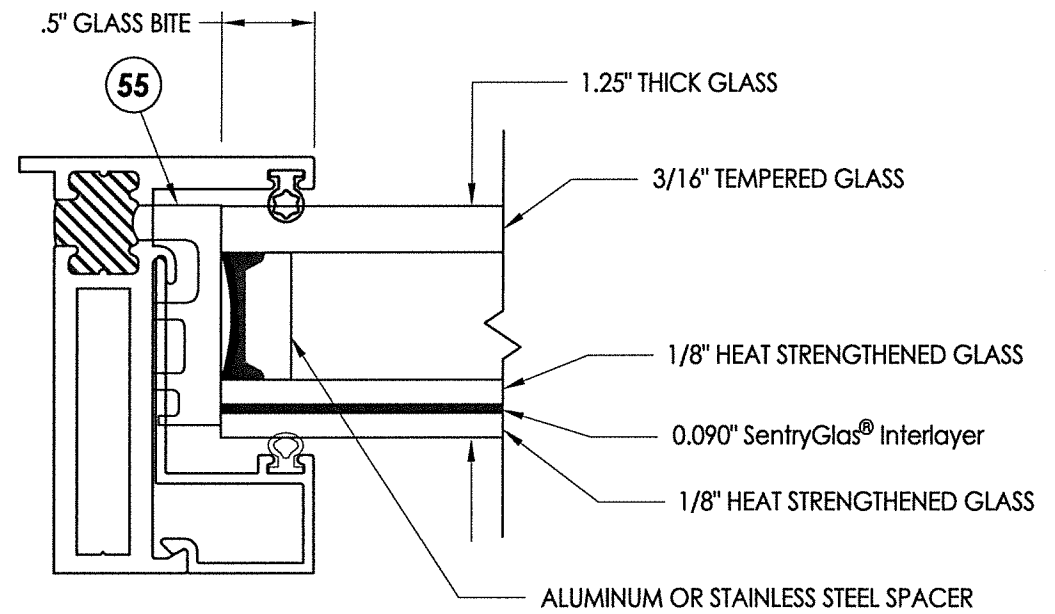
G2 GLAZING DETAIL



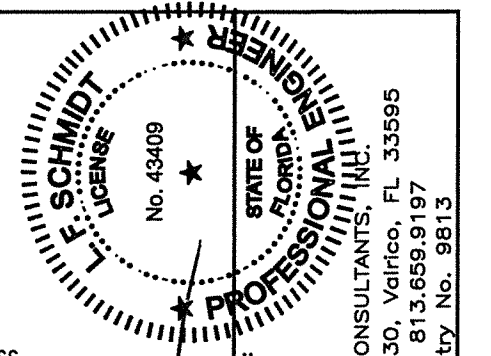
G4 GLAZING DETAIL



G1 GLAZING DETAIL



G5 GLAZING DETAIL



December 7, 2021
 Documents Prepared By:
 Lyndon F. Schmidt
 P.E. No. 43409

R.W. BUILDING CONSULTANTS, INC.
 P.O. Box 230, Valrico, FL 33595
 Phone No.: 813.659.9197
 FBPE Registry No. 9813

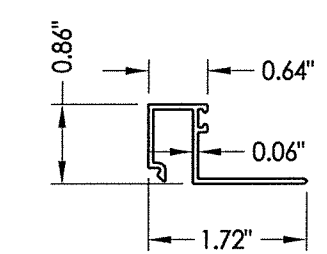
PRODUCT:	FLEETWOOD WINDOWS AND DOORS
PART OR ASSEMBLY:	GLAZING DETAILS

NO.	DATE	REVISIONS
5	12/7/21	SERIES NAME CHANGE
4	8/06/20	UPDATE TO 7th ED. (2020) FBC
3	8/07/17	UPDATE TO 6TH ED. (2017) FBC
2	8/22/16	RENUMBER DRAWINGS
1	1/22/15	UPDATE TO 5TH ED. (2014) FBC
		BY

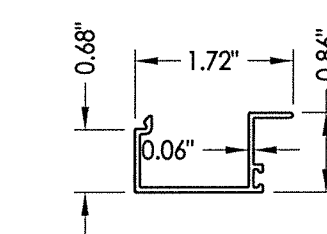
DATE:	10/23/13
SCALE:	N.T.S.
DWG. BY:	JK
CHK. BY:	LFS
DRAWING NO.:	FL-14904.3
SHEET	8 OF 9

BILL OF MATERIALS

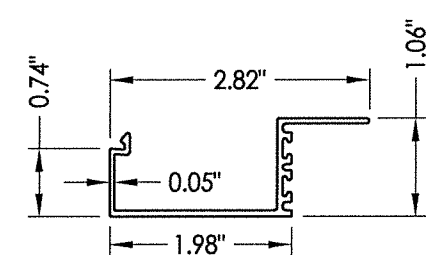
ITEM #	DESCRIPTION	MATERIAL
A	1X BUCK SG >= 0.55	WOOD
B	2X BUCK SG >= 0.55	WOOD
C	1/4" MAX. SHIM SPACE	-
D	1/4" X 2-3/4" DeWALT OR ITW PFH CONCRETE SCREW	STEEL
E	MASONRY - 3,000 PSI MIN. CONCRETE CONFORMING TO ACI 301 OR HOLLOW BLOCK CONFORMING TO ASTM C90	CONCRETE
F	#10 X 2" PPH WOOD SCREW (1-1/4" MIN. EMBEDMENT)	STEEL
G	1/4" x 2-1/4" DeWALT OR ITW PFH CONCRETE SCREW	STEEL
H	#10 X 2-3/4" PPH WOOD SCREW	STEEL
J	1/4" x 3-1/4" DeWALT OR ITW PFH CONCRETE SCREW	STEEL
K	#10 PPH SELF-DRILLING SMS	STEEL
L	#8 PPH WS (1-3/8" MIN. EMBEDMENT)	STEEL
M	#8 X 1-1/2" PPH SMS (1-3/8" MIN. EMBEDMENT)	STEEL
X	STEEL STUD Min. Thk .033" (ASTM A653 GRADE 33 Fy=33 Ksi Min, Fu=45 Ksi Min)	STEEL
1	FIN BLOCK FRAME (3800-T)	6063-T6 ALUM
2	BLOCK FRAME (3800-T)	6063-T6 ALUM
3	THERMAL BREAK ("LIQUID POLYURETHANE" by Azon USA, Inc.)	-
4	MULLION	6063-T6 ALUM
5	BLOCK FRAME (350-T)	6063-T6 ALUM
7	ZEE BAR (PANEL)	6063-T6 ALUM
8	GLASS STOP (1-1/4")	6063-T6 ALUM
10	GLASS STOP (5/16", 7/16")	6063-T6 ALUM
12	SHEAR BLOCK	6061-T6 ALUM
13	CORNER KEY	6063-T6 ALUM
14	INSERT STOP	6063-T6 ALUM
20	SS. BUTT HINGE	SS
21	4 BAR HINGE	SS
22	SNUBBER-COMMERCIAL PULL-IN BLOCK	SS
23	MULTIPOINT LOCK HANDLE	SS
26	3 POINTS LOCKING BAR (TRUTH)	SS
27	4 POINTS LOCKING BAR (TRUTH)	SS
28	TIE BAR GUIDE (TRUTH)	-
29	KEEPER (TRUTH)	SS
30	CASEMENT ROTOR GEAR 13.5"(TRUTH)	SS
31	CASEMENT ROTOR GEAR 9.5"(TRUTH)	SS
35	CAM HANDLE / STRIKE PLATE	SS
36	CASEMENT SS. TRACK (TRUTH)	SS
40	#10 X 1" PPH SMS	STEEL
42	MACHINE SCREW NO 10-32, FHP .75"	STEEL
43	SCREW NO 10, UFHP .5"	STEEL
44	SCREW NO 8, PHP, .50"	STEEL
46	SCREW NO 8, FHP, .750"	STEEL
48	BACK UP NUTS	STEEL
50	BULB VINYL (EPDM 70 DUROMETER) - TREMCO	-
51	MINI BULB VINYL (EPDM 70 DUROMETER) - TREMCO	-
52	WOOD BLOCK .750" X 1.250"	-
53	ALUMINUM BLOCK .750" X 1.250"	-
54	PVC BLOCK .750" X 1.250"	-
55	SETTING BLOCK	-
57	PIVOT SHIM	-
58	WOOD BLOCK .50" X 1.250"	-
59	ALUMINUM BLOCK .50" X 1.250"	-
60	PVC BLOCK .50" X 1.250"	-



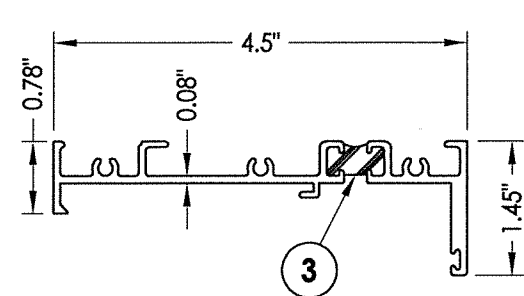
8 GLASS STOP 1-1/4"



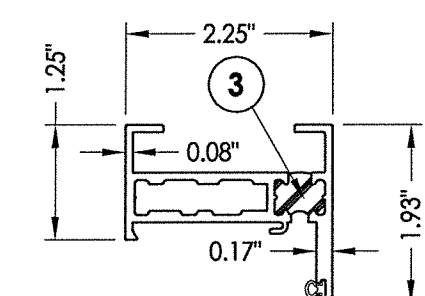
10 GLASS STOP 5/16", 7/16"



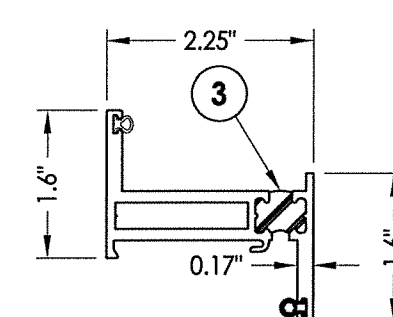
14 INSERT STOP



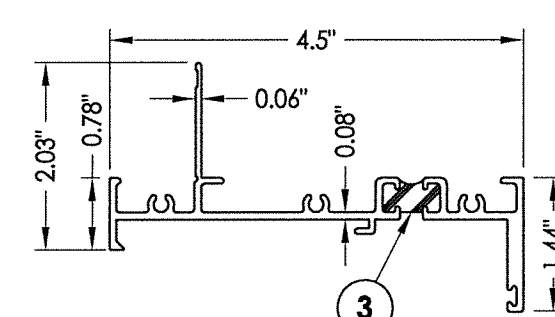
2 BLOCK FRAME



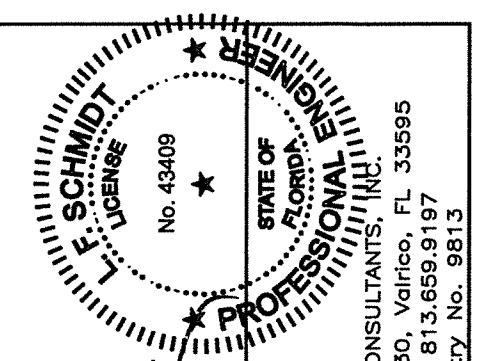
5 BLOCK FRAME



7 ZEE BAR (PANEL)



1 FIN BLOCK FRAME



December 7, 2021
 Documents Prepared By:
 Lyndon F. Schmidt
 P.E. No. 43409
 R.W. BUILDING CONSULTANTS, INC.
 P.O. Box 230, Valrico, FL 33595
 Phone No.: 813.659.9197
 FBPE Registry No. 9813

PRODUCT: FLEETWOOD WINDOWS AND DOORS
 PART OR ASSEMBLY: BILL OF MATERIALS AND COMPONENTS

NO.	DATE	REVISIONS
5	12/7/21	SERIES NAME CHANGE
4	8/06/20	UPDATE TO 7th ED. (2020) FBC DAC
3	8/07/17	UPDATE TO 6TH ED. (2017) FBC LFS
2	8/22/16	RENUMBER DRAWINGS
1	1/22/15	UPDATE TO 5TH ED. (2014) FBC LFS

DATE: 10/23/13
 SCALE: N.T.S.
 DWG. BY: JK
 CHK. BY: LFS
 DRAWING NO.: FL-14904.3
 SHEET 9 OF 9