



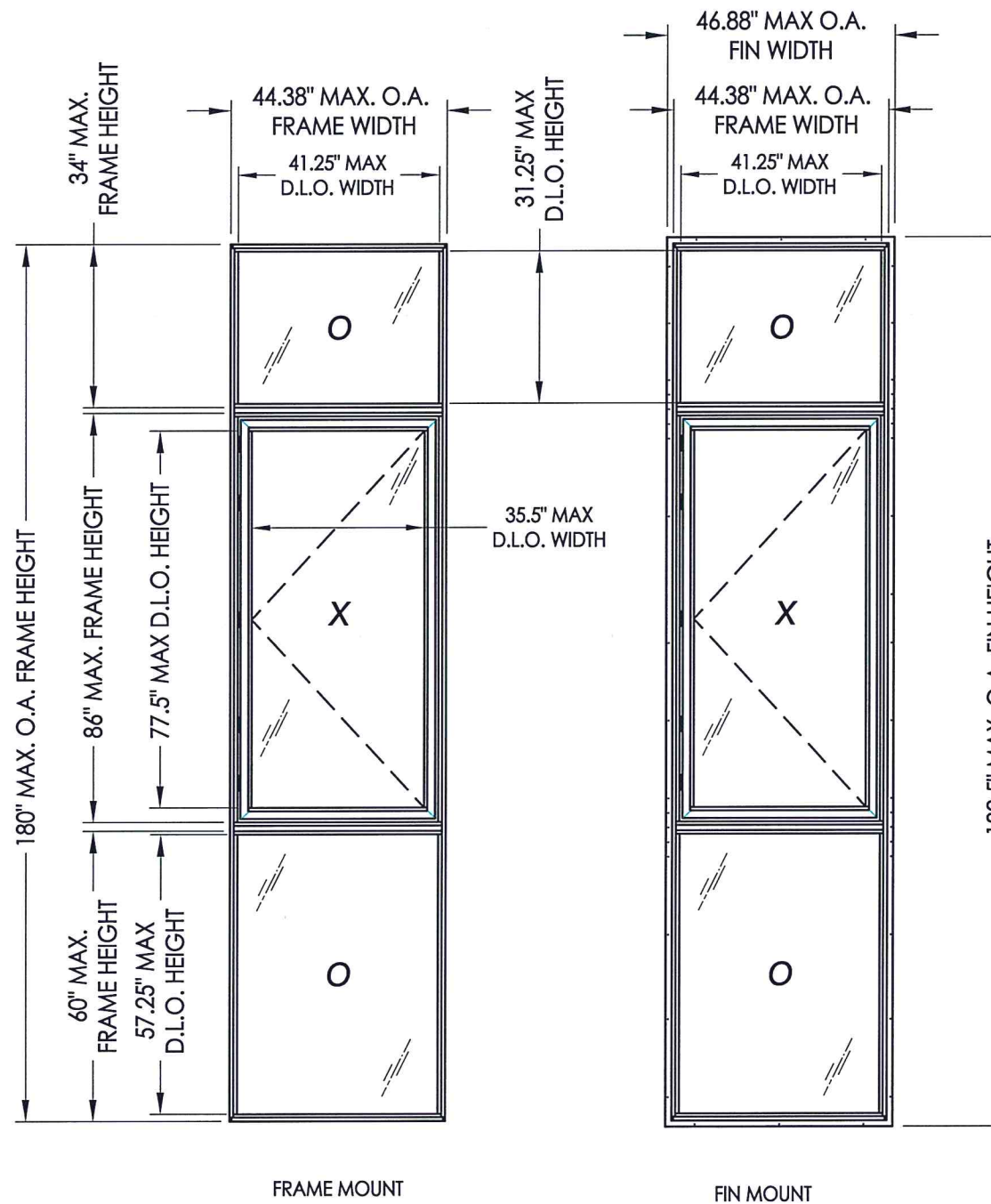
Series 3800-T w/ Series 350-T Aluminum Casement Window w/ Thermal Break Frame (WET GLAZED) "IMPACT"

GENERAL NOTES

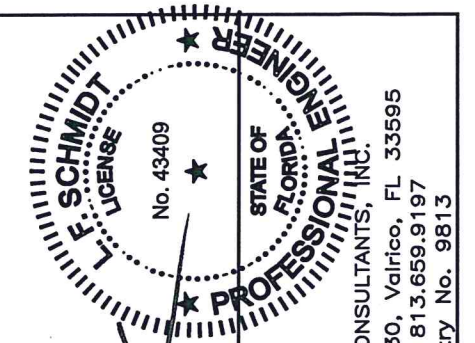
1. This product has been evaluated and is in compliance with the 7th Edition (2020) Florida Building Code (FBC) structural requirements including the "High Velocity Hurricane Zone" (HVHZ).
2. Product anchors shall be as listed and spaced as shown on details. Anchor embedment to base material shall be beyond wall dressing or stucco.
3. When used in the "HVHZ" this product complies with Section 1626 of the Florida Building Code and does not require an impact resistant covering.
4. When used in areas outside of the "HVHZ" requiring wind borne debris protection this product complies with FBC Sections 1609.1.2 & R301.2.1.2 and does not require an impact resistant covering. This product meets missile level "D" and includes Wind Zone 4 as defined in ASTM E 1996 and FBC Sections 1609.1.2.2 & R301.2.1.2.1.
5. For 2x stud framing construction, anchoring of these units shall be the same as that shown for 2x buck masonry construction.
6. Site conditions that deviate from the details of this drawing require further engineering analysis by a licensed engineer or registered architect.
7. This product meets water infiltration requirements for "HVHZ".
8. Gaskets and setting blocks shall comply with Section 2411.3.4 of the FBC.
9. Aluminum components, including fasteners, shall meet the requirements of FBC Section 2003.

TABLE OF CONTENTS

| SHEET# | DESCRIPTION |
|--------|--|
| 1 | Typical elevations, design pressures & general notes |
| 2 | Elevations |
| 3 | Horizontal cross sections |
| 4 | Vertical cross sections |
| 5 | Vertical cross sections |
| 6 | Buck & frame anchoring |
| 7 | Hardware details |
| 8 | Glazing details |
| 9 | Bill of materials & components |



| OVERALL FIN DIMENSION | OVERALL FRAME DIMENSION | MAX. D.L.O. DIMENSION | GLASS TYPE | DESIGN PRESSURE (PSF) | |
|-----------------------|-------------------------|-----------------------|------------|-----------------------|----------|
| | | | | POSITIVE | NEGATIVE |
| 46.88" X 182.5" | 44.38" X 180.0" | 35.5" X 77.5" (X) | G1, G2, G3 | +65.0 | -65.0 |
| | | 41.25" X 57.25" (O) | G4, G5 | | |



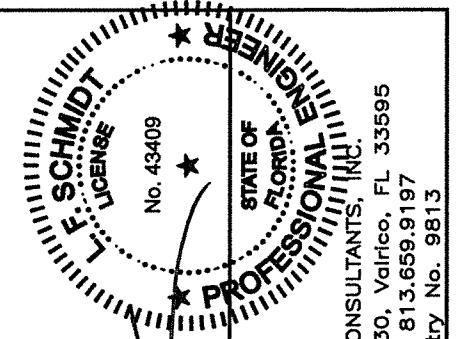
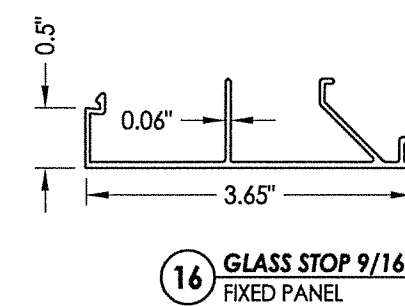
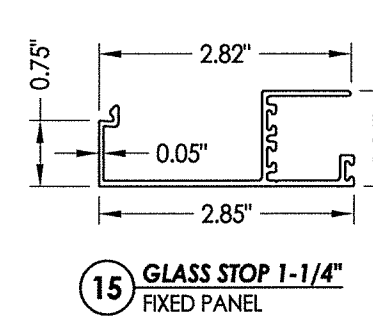
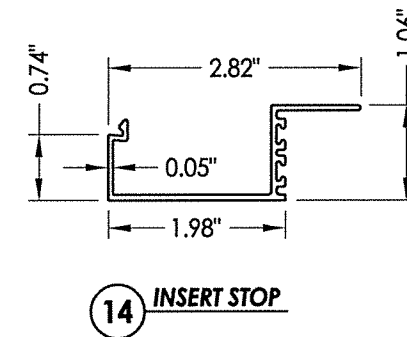
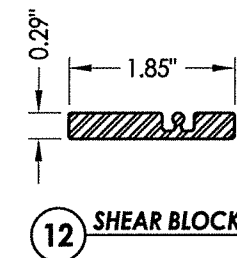
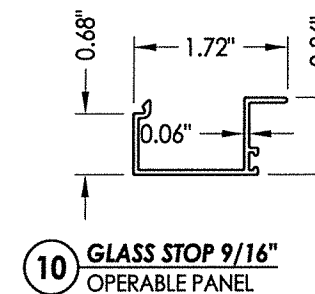
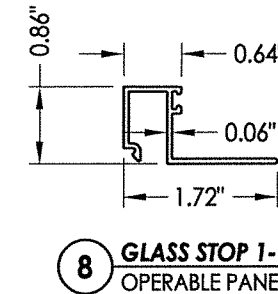
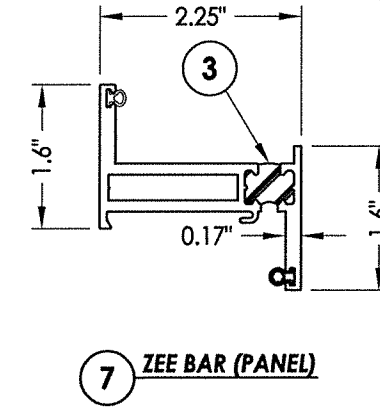
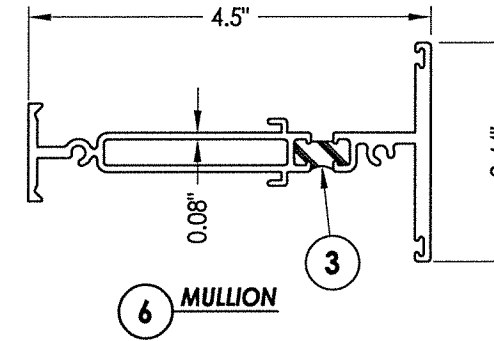
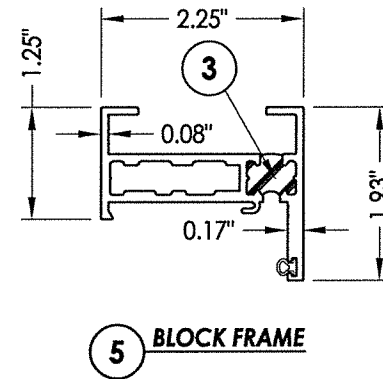
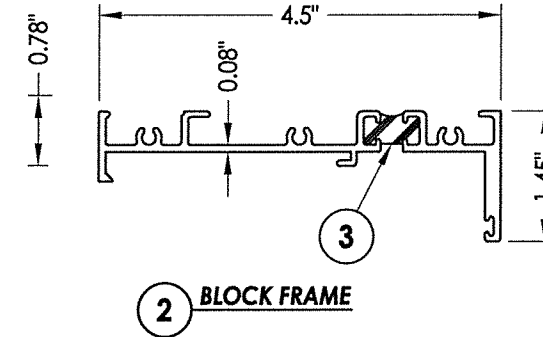
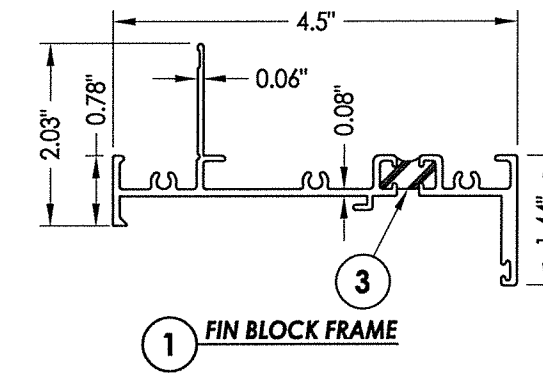
December 7, 2021

Documents Prepared By:
Lyndon F. Schmidt
P.E. No. 43409

RW BUILDING CONSULTANTS, INC.
P.O. Box 230, Valrico, FL 33595
Phone No.: 813.659.9197
FBPE Registry No. 9813

| | | |
|-------------------|---|----|
| PRODUCT: | FLEETWOOD WINDOWS & DOORS | |
| PART OR ASSEMBLY: | TYPICAL ELEVATION, DESIGN PRESSURES & GENERAL NOTES | |
| NO. | DATE | BY |
| REVISIONS | | |
| DATE: | 12/01/21 | |
| SCALE: | N.T.S. | |
| DWG. BY: | LFS | |
| CHK. BY: | RW | |
| DRAWING NO.: | FL-14904.13 | |
| SHEET | 1 OF 9 | |

| BILL OF MATERIALS | | |
|-------------------|--|--------------|
| ITEM # | DESCRIPTION | MATERIAL |
| A | 1X BUCK SG >= 0.55 | WOOD |
| B | 2X BUCK SG >= 0.55 | WOOD |
| C | 1/4" MAX. SHIM SPACE | - |
| D | 1/4" X 2-3/4" DeWALT OR ITW PFH CONCRETE SCREW | STEEL |
| E | MASONRY - 3,000 PSI MIN. CONCRETE CONFORMING TO ACI 301 OR HOLLOW BLOCK CONFORMING TO ASTM C90 | CONCRETE |
| F | #10 X 2" PPH WOOD SCREW (1-1/4" MIN. EMBEDMENT) | STEEL |
| G | 1/4" x 2-1/4" DeWALT OR ITW PFH CONCRETE SCREW | STEEL |
| K | #10 PPH SELF-DRILLING SMS | STEEL |
| L | #8 PPH WS (1-3/8" MIN. EMBEDMENT) | STEEL |
| M | #8 X 1-1/2" PPH SMS (1-3/8" MIN. EMBEDMENT) | STEEL |
| X | STEEL STUD Min. Thk .033" (ASTM A653 GRADE 33 Fy=33 Ksi Min, Fu=45 Ksi Min) | STEEL |
| 1 | FIN BLOCK FRAME (3800-T) | 6063-T6 ALUM |
| 2 | BLOCK FRAME (3800-T) | 6063-T6 ALUM |
| 3 | THERMAL BREAK ("LIQUID POLYURETHANE" by Azon USA, Inc.) | - |
| 5 | BLOCK FRAME (350-T) | 6063-T6 ALUM |
| 6 | MULLION | 6063-T6 ALUM |
| 7 | ZEE BAR (PANEL) | 6063-T6 ALUM |
| 8 | GLASS STOP (1-1/4") | 6063-T6 ALUM |
| 10 | GLASS STOP (9/16") | 6063-T6 ALUM |
| 11 | #8 X 1-1/2" PFH SMS | STEEL |
| 12 | SHEAR BLOCK | 6061-T6 ALUM |
| 13 | CORNER KEY | 6063-T6 ALUM |
| 14 | INSERT STOP | 6063-T6 ALUM |
| 15 | GLASS STOP (1-1/4") FIXED PANEL | 6063-T6 ALUM |
| 16 | GLASS STOP (9/16") FIXED PANEL | 6063-T6 ALUM |
| 20 | SS. BUTT HINGE | SS |
| 21 | 4 BAR HINGE | SS |
| 22 | SNUBBER-COMMERCIAL PULL-IN BLOCK | SS |
| 23 | MULTIPOINT LOCK HANDLE | SS |
| 27 | 5 POINTS LOCKING BAR (TRUTH) | SS |
| 28 | TIE BAR GUIDE (TRUTH) | - |
| 29 | KEEPER (TRUTH) | SS |
| 30 | CASEMENT ROTOR GEAR (TRUTH) | SS |
| 35 | CAM HANDLE / STRIKE PLATE | SS |
| 36 | CASEMENT SS. TRACK (TRUTH) | SS |
| 40 | #10 X 1" PPH SMS | STEEL |
| 43 | SCREW NO 10, UFHP .5" | STEEL |
| 44 | SCREW NO 8, PHP, .50" | STEEL |
| 46 | SCREW NO 8, FHP, .750" | STEEL |
| 50 | BULB VINYL (EPDM 70 DUROMETER) - TREMCO | - |
| 51 | MINI BULB VINYL (EPDM 70 DUROMETER) - TREMCO | - |
| 52 | WOOD BLOCK (3/4" X 1-1/4") | - |
| 53 | ALUMINUM BLOCK (3/4" X 1-1/4") | - |
| 54 | PVC BLOCK (3/4" X 1-1/4") | - |
| 55 | SETTING BLOCK (SANTOPRENE - 86 DUROMETER) - TREMCO | - |
| 57 | PIVOT SHIM | - |



December 7, 2021
 Documents Prepared By:
 Lyndon F. Schmidt
 P.E. No. 43409
 R.W. BUILDING CONSULTANTS, INC.
 P.O. Box 230, Valrico, FL 33595
 Phone No.: 813.659.9197
 FBPE Registry No. 9813

| | |
|-------------------|----------------------------------|
| PRODUCT: | FLEETWOOD WINDOWS & DOORS |
| PART OR ASSEMBLY: | BILL OF MATERIALS AND COMPONENTS |

| NO. | DATE | BY | REVISIONS |
|-----|------|----|-----------|
| | | | |
| | | | |
| | | | |
| | | | |

DATE: 12/01/21
 SCALE: N.T.S.
 DWG. BY: LFS
 CHK. BY: RW
 DRAWING NO.: FL-14904.13
 SHEET 9 OF 9