

Z:\Clients\Fleetwood PERMANENT\A - Florida Product Approvals\FL-14904 Casement\C - Drawings\FL-14904 (2020) R8\FL-14904.12.dwg



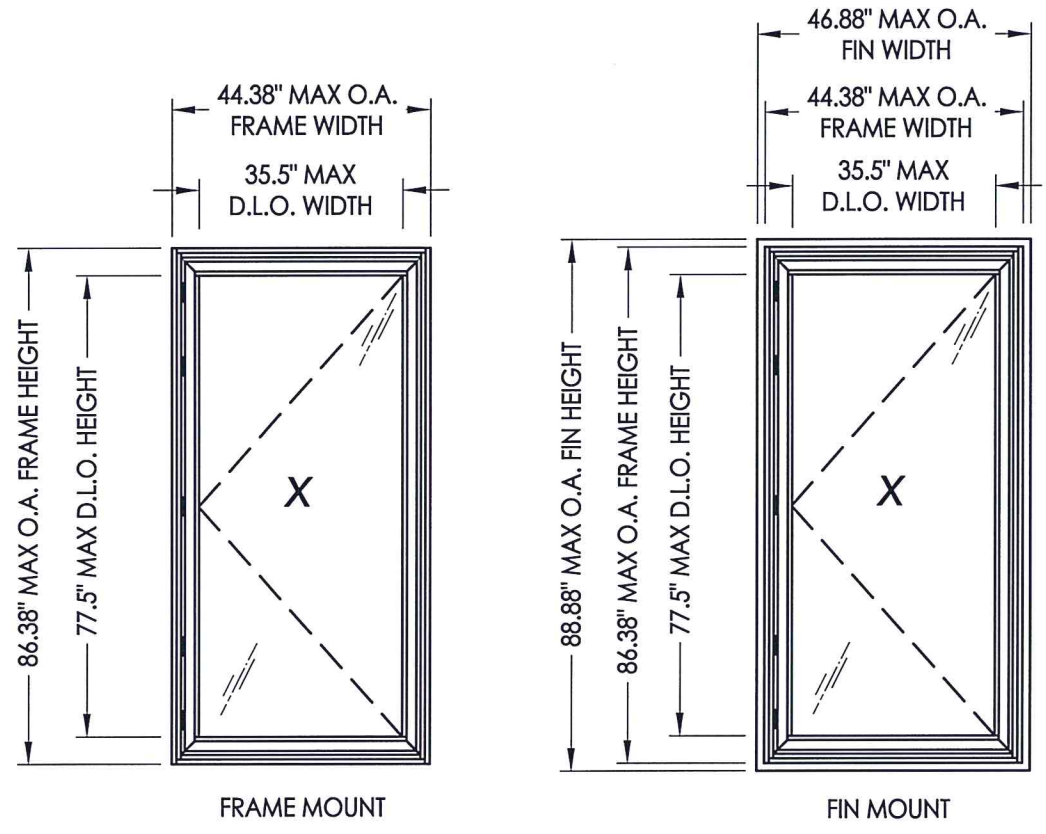
Series 3800-T w/ Series 350-T Aluminum Casement Window w/ Thermal Break Frame (WET GLAZED) "IMPACT"

GENERAL NOTES

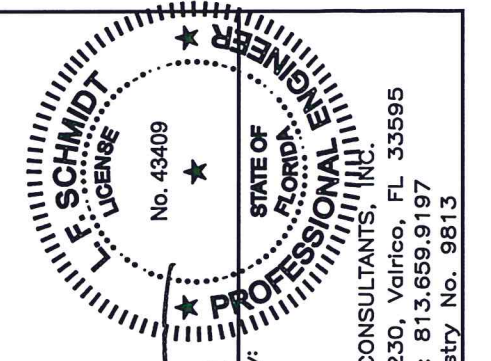
1. This product has been evaluated and is in compliance with the 7th Edition (2020) Florida Building Code (FBC) structural requirements including the "High Velocity Hurricane Zone" (HVHZ).
2. Product anchors shall be as listed and spaced as shown on details. Anchor embedment to base material shall be beyond wall dressing or stucco.
3. When used in the "HVHZ" this product complies with Section 1626 of the Florida Building Code and does not require an impact resistant covering.
4. When used in areas outside of the "HVHZ" requiring wind borne debris protection this product complies with FBC Sections 1609.1.2 & R301.2.1.2 and does not require an impact resistant covering. This product meets missile level "D" and includes Wind Zone 4 as defined in ASTM E 1996 and FBC Sections 1609.1.2.2 & R301.2.1.2.1.
5. For 2x stud framing construction, anchoring of these units shall be the same as that shown for 2x buck masonry construction.
6. Site conditions that deviate from the details of this drawing require further engineering analysis by a licensed engineer or registered architect.
7. This product meets water infiltration requirements for "HVHZ".
8. Gaskets and setting blocks shall comply with Section 2411.3.4 of the FBC.
9. Aluminum components, including fasteners, shall meet the requirements of FBC Section 2003.

TABLE OF CONTENTS

SHEET#	DESCRIPTION
1	Typical elevations, design pressures & general notes
2	Elevations
3	Horizontal & vertical cross sections
4	Horizontal & vertical cross sections
5	Vertical cross section
6	Buck & frame anchoring
7	Hardware details
8	Glazing details
9	Bill of materials & components



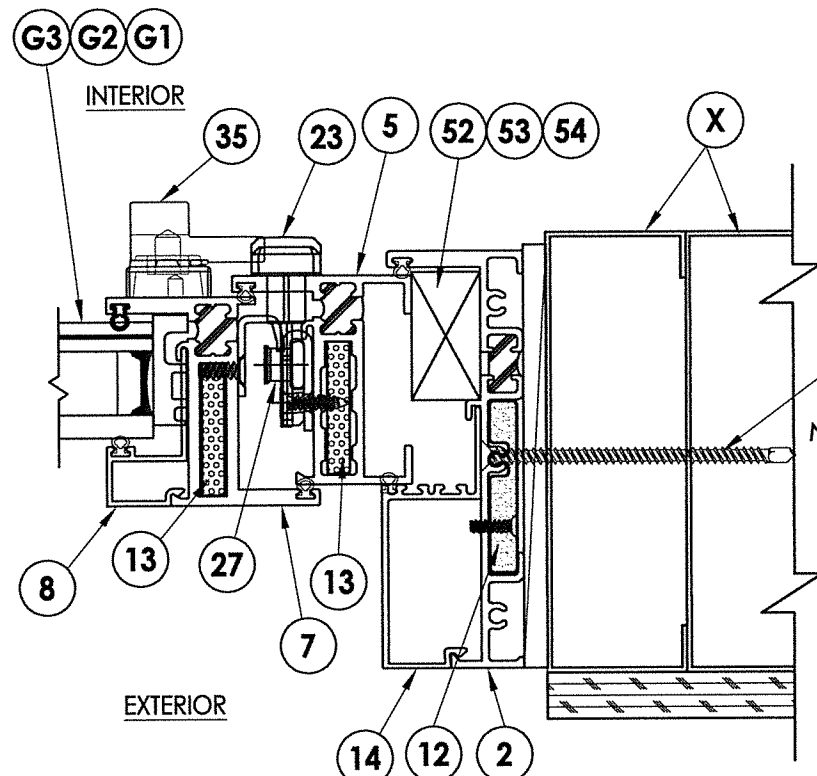
OVERALL FIN DIMENSION	OVERALL FRAME DIMENSION	OVERALL D.L.O. DIMENSION	GLASS TYPE	DESIGN PRESSURE (PSF)	
				POSITIVE	NEGATIVE
46.88" X 88.88"	44.38" X 86.38"	33.5" X 77.5"	G1, G2, G3	+65.0	-65.0



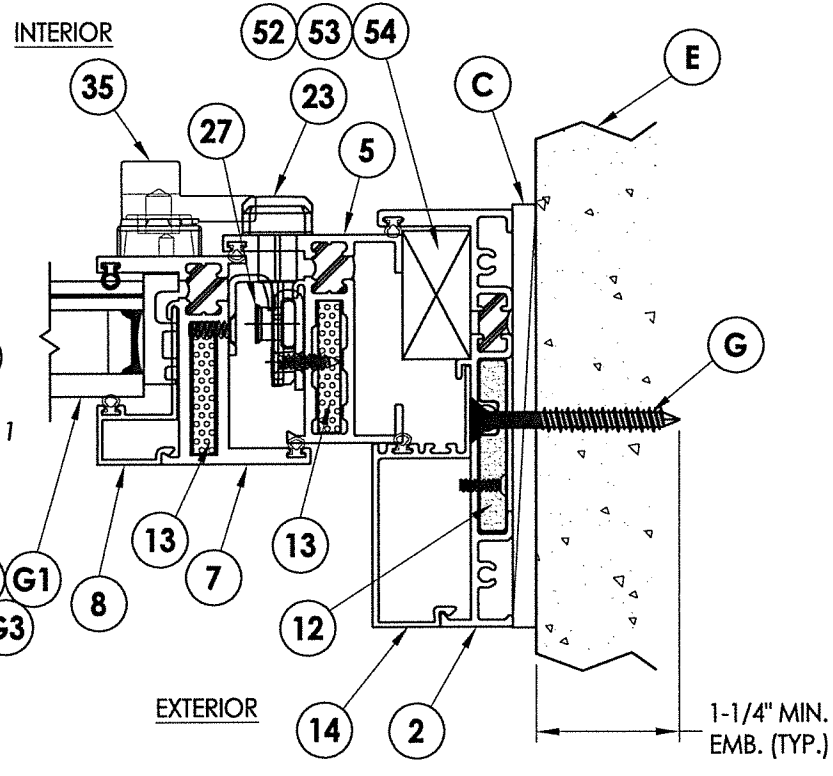
December 7, 2021
 Documents Prepared By:
 Lyndon F. Schmidt
 P.E. No. 43409
 R.W. BUILDING CONSULTANTS, INC.
 P.O. Box 230, Valrico, FL 33595
 Phone No.: 813.659.9197
 FBPE Registry No. 9813

PRODUCT:	FLEETWOOD WINDOWS & DOORS
PART OR ASSEMBLY:	TYPICAL ELEVATION, DESIGN PRESSURES & GENERAL NOTES
NO.	DATE
BY	REVISIONS
DATE:	12/01/21
SCALE:	N.T.S.
DWG. BY:	LFS
CHK. BY:	RW
DRAWING NO.:	FL-14904.12
SHEET	1 OF 9

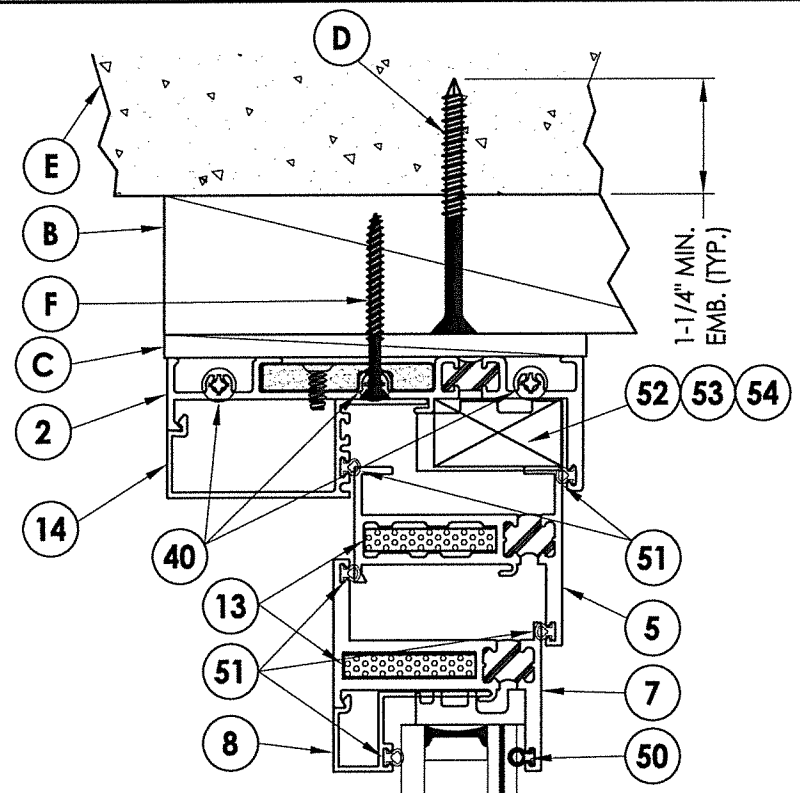
Z:\Clients\Fleetwood PERMANENTA - Florida Product Approvals\FL-14904 Casement\C - Drawings\FL-14904 (2020) R8\FL-14904.12.dwg



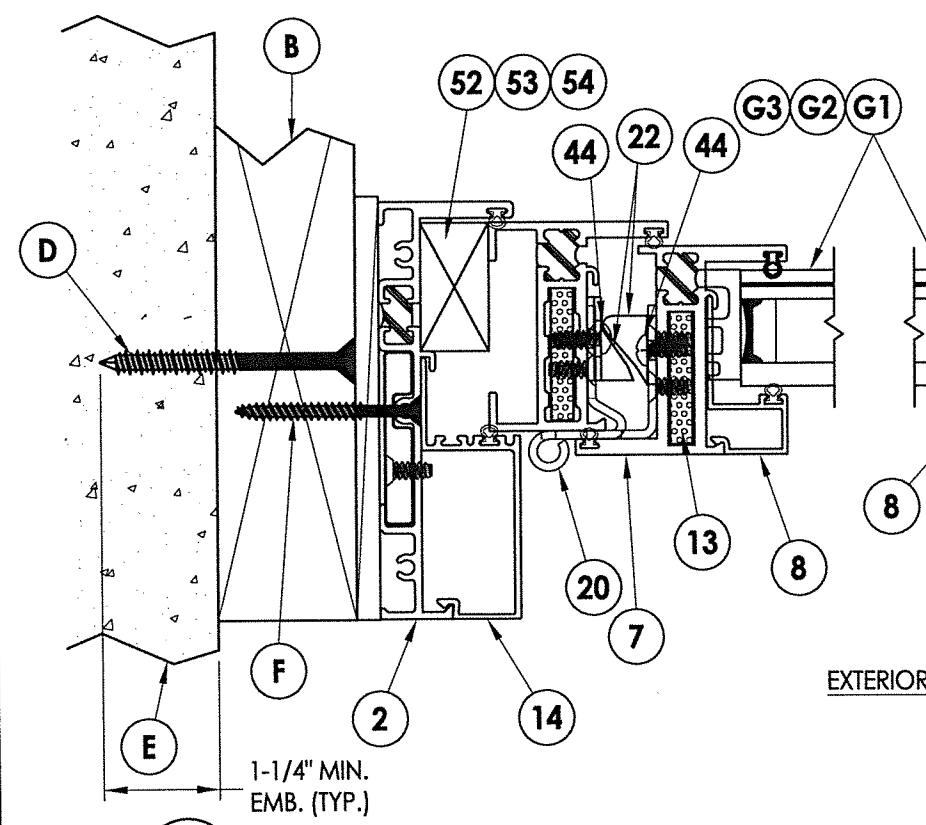
3 HORIZONTAL CROSS SECTION
4 Shown w/ Steel Stud option



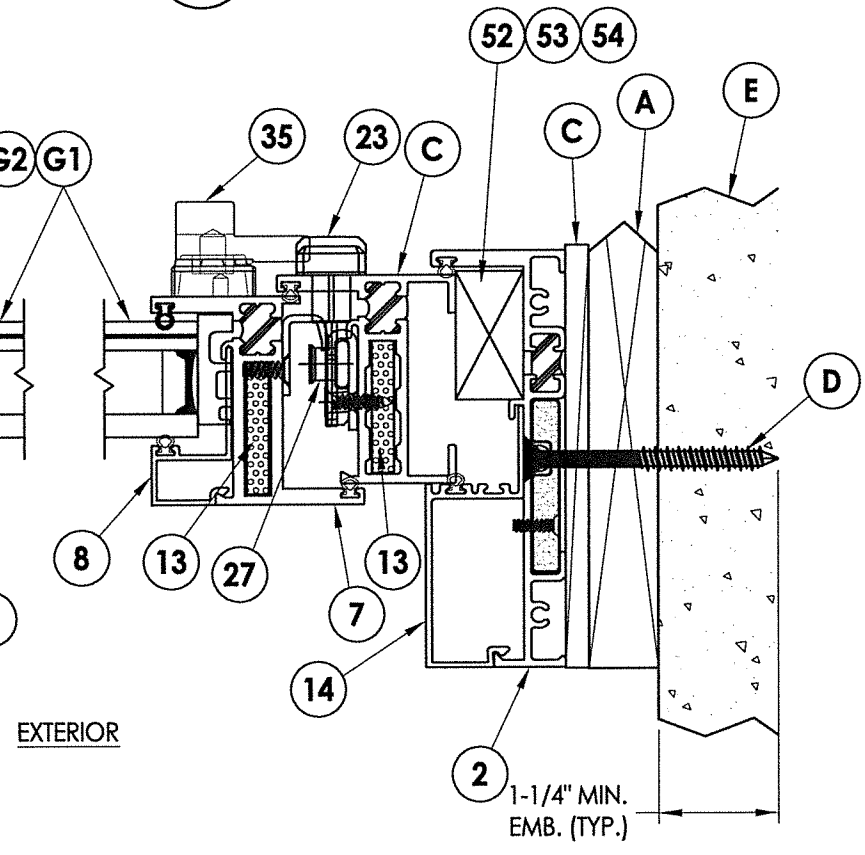
4 HORIZONTAL CROSS SECTION
4 Shown w/ Direct to Masonry option



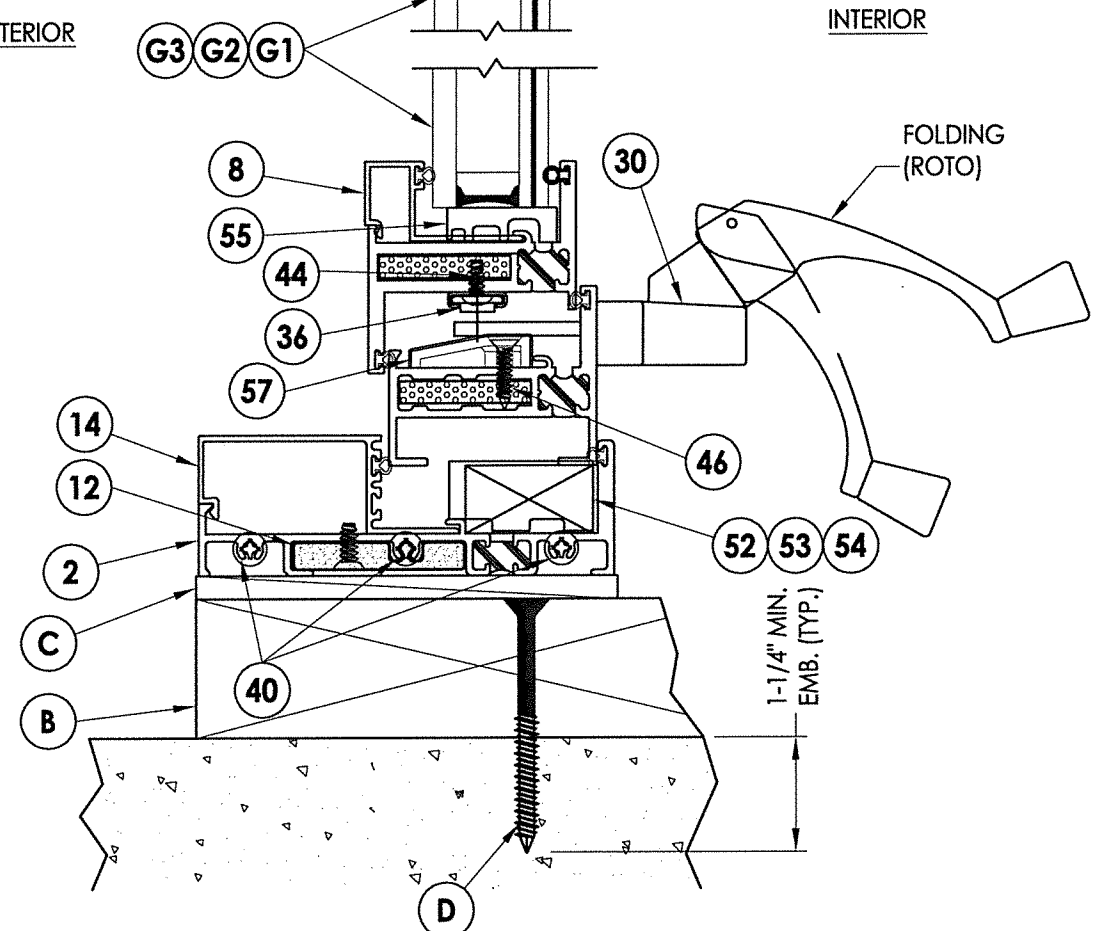
5 VERTICAL CROSS SECTION
4 Shown w/ 2X Buck Construction



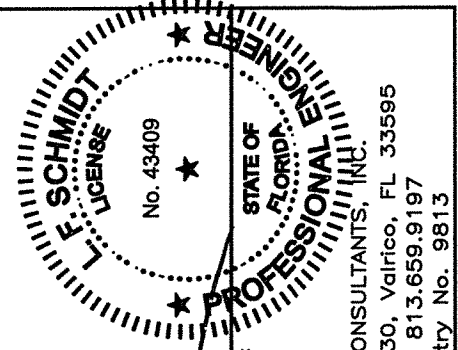
1 HORIZONTAL CROSS SECTION
4 Shown w/ 2X Buck Construction



2 HORIZONTAL CROSS SECTION
4 Shown w/ 1X Sub buck option



NOTE:
 1. Sheet Metal Screws must penetrate a min. of 3 threads through at least two (2) sheets of metal.

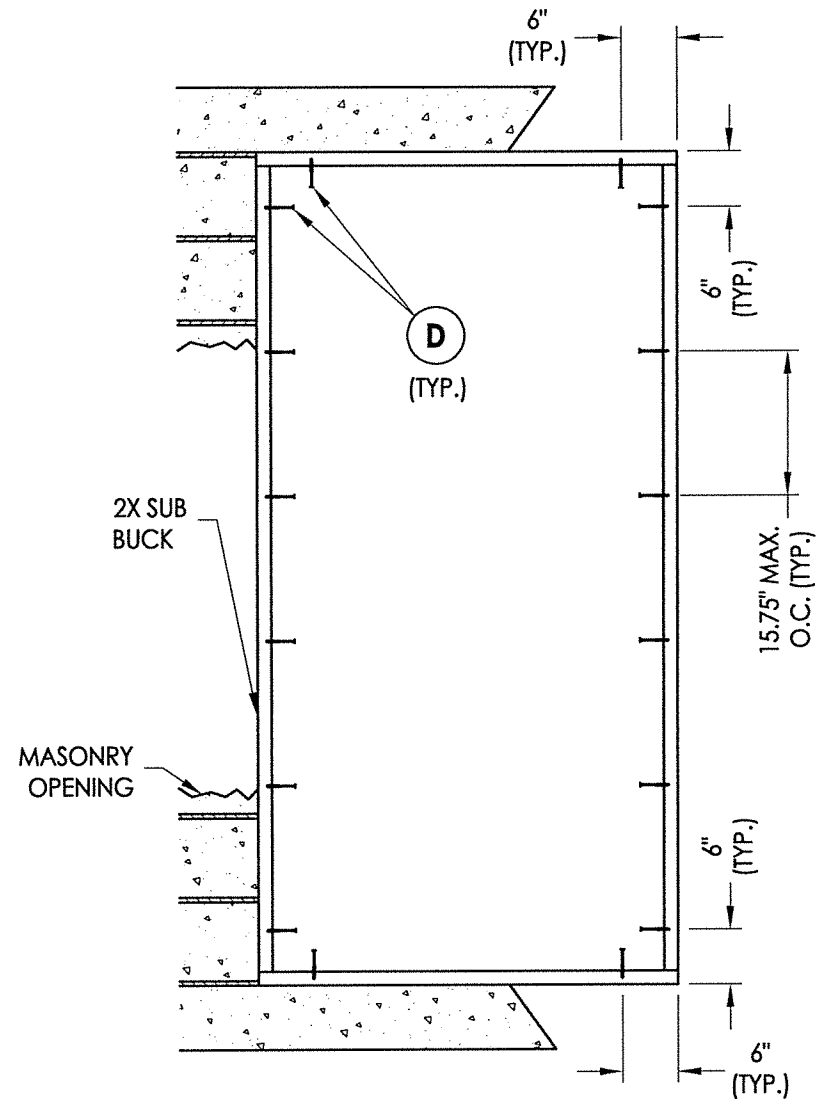


December 7, 2021
 Documents Prepared By:
 Lyndon F. Schmidt
 P.E. No. 43409
 R.W.
 BUILDING CONSULTANTS, INC.
 P.O. Box 230, Valrico, FL 33595
 Phone No.: 813.659.9197
 FBPE Registry No. 9813

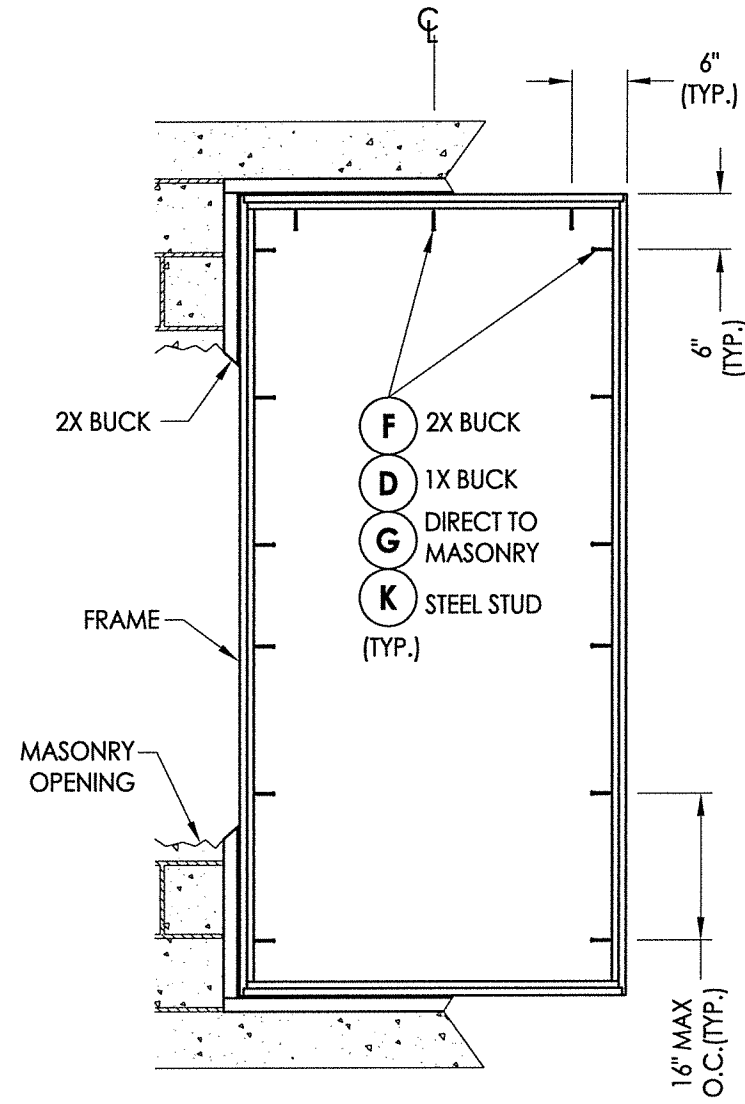
PRODUCT: FLEETWOOD WINDOWS & DOORS
 PART OR ASSEMBLY: HORIZONTAL & VERTICAL CROSS SECTIONS

NO.	DATE	BY	REVISIONS

DATE: 12/01/21
 SCALE: N.T.S.
 DWG. BY: LFS
 CHK. BY: RW
 DRAWING NO.: FL-14904.12
 SHEET 4 OF 9



2X BUCK ANCHORING



FRAME MOUNT ANCHORING

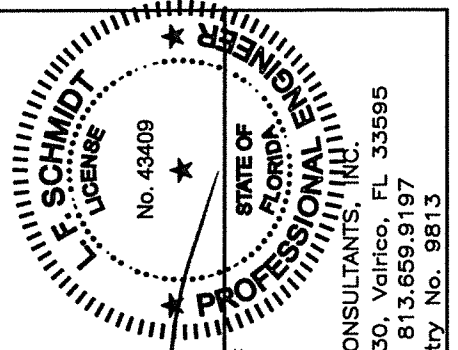
CONCRETE ANCHOR NOTES:

1. Concrete anchor locations at the corners may be adjusted to maintain the min. edge distance to mortar joints.
2. Concrete anchor locations noted as "MAX. ON CENTER" must be adjusted to maintain the min. edge distance to mortar joints, additional concrete anchors may be required to ensure the "MAX. ON CENTER" dimension are not exceeded.
3. Concrete anchor table:

ANCHOR TYPE	ANCHOR SIZE	MIN. EMBEDMENT	MIN. CLEARANCE TO MASONRY EDGE	MIN. CLEARANCE TO ADJACENT ANCHOR
ITW TAPCON®	1/4"	1-1/4"	2"	4"
DeWALT ULTRACON+	1/4"	1-1/4"	1"	4"

WOOD SCREW INSTALLATION NOTES:

1. Maintain a minimum 5/8" edge distance, 1" end distance, & 1" o.c. spacing of wood screws to prevent the splitting of wood.



December 7, 2021
 Documents Prepared By:
 Lyndon F. Schmidt
 P.E. No. 43409
 R.W. BUILDING CONSULTANTS, INC.
 P.O. Box 230, Valrico, FL 33595
 Phone No.: 813.659.9197
 FBPE Registry No. 9813

PRODUCT:	FLEETWOOD WINDOWS & DOORS
PART OR ASSEMBLY:	BUCK & FRAME ANCHORING
DATE:	12/01/21
SCALE:	N.T.S.
DWG. BY:	LFS
CHK. BY:	RW
DRAWING NO.:	FL-14904.12
SHEET	6 OF 9

