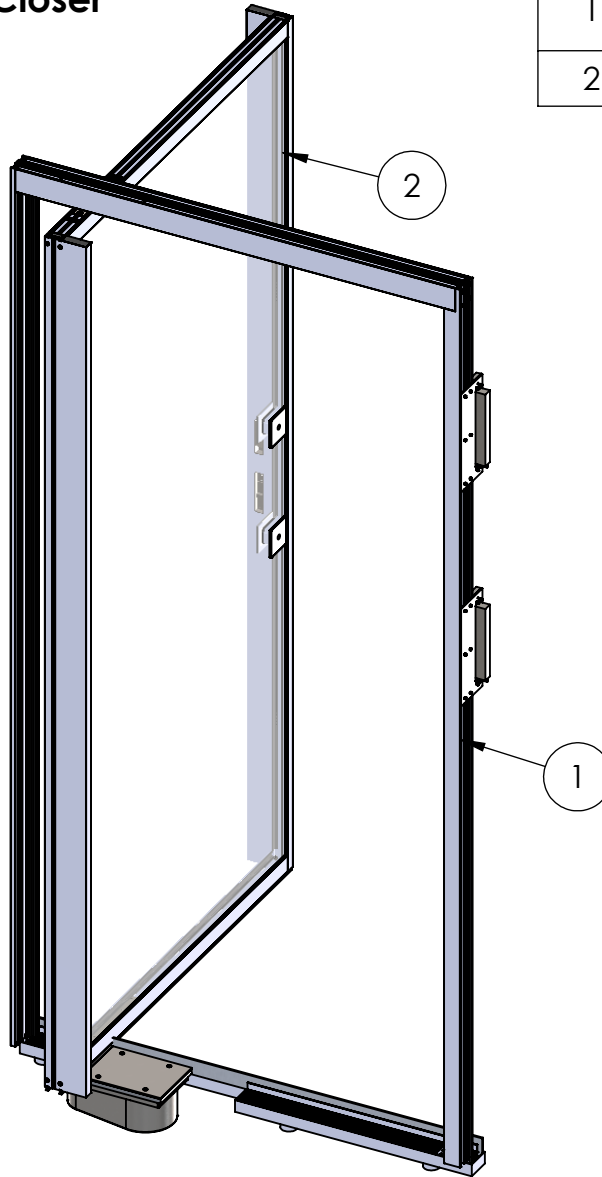


ASSEMBLY / PARTS LIST (B.O.M.)

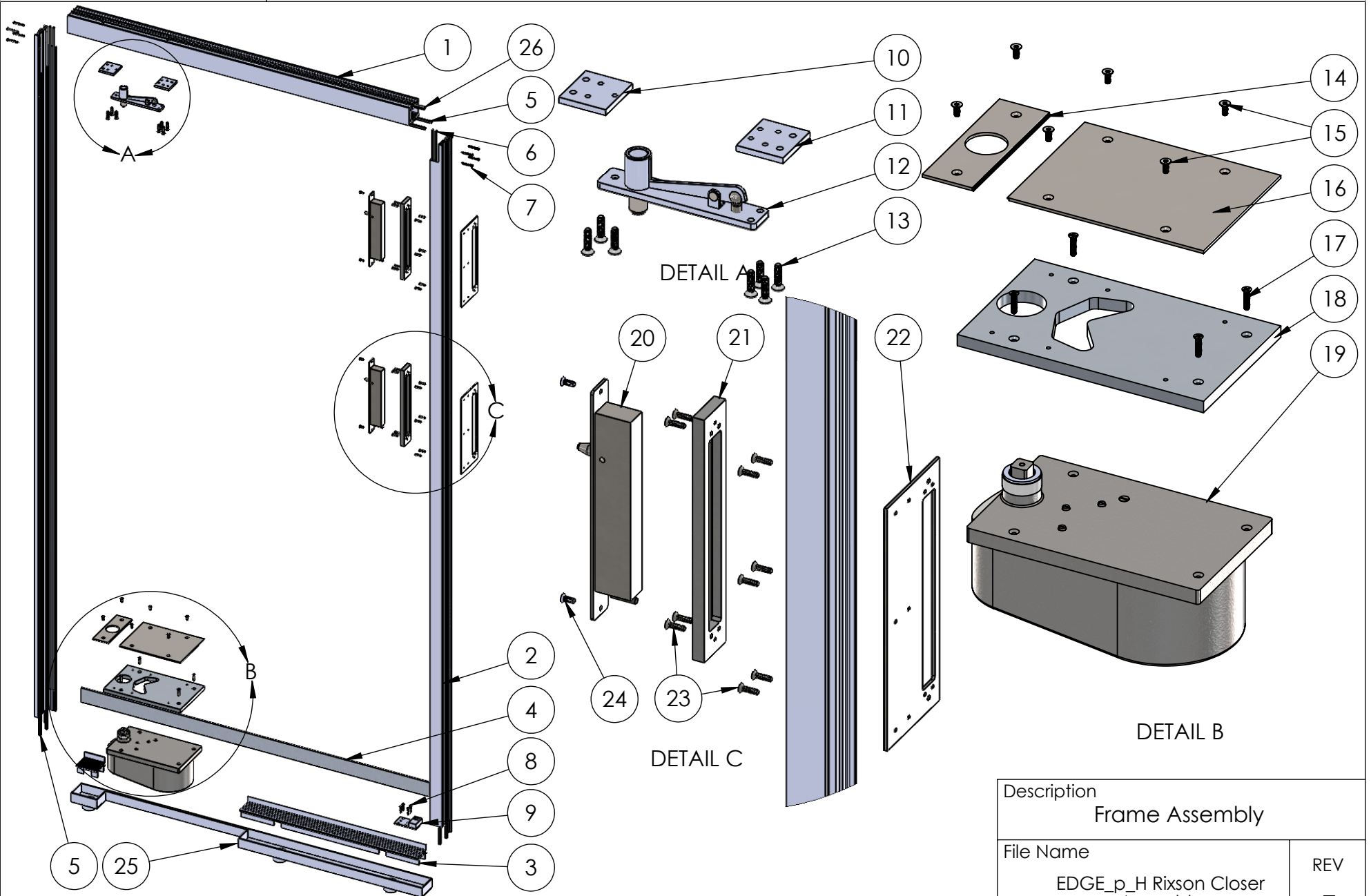
Series: EDGE | p |
Type: H Configuration with Rixson Closer

ITEM NO.	DESCRIPTION	QTY.	PAGE #
1	EDGE p H FRAME ASSEMBLY	1	2-3
2	PANEL ASSEMBLY	1	4-5



Description Table of Contents	
File Name EDGE_p_H Rixson Closer Assembly	REV -
Released 5/13/2026	SHEET 1 OF 5

ASSEMBLY / PARTS LIST (B.O.M.)



PROPRIETARY AND CONFIDENTIAL
THE INFORMATION CONTAINED IN THIS DRAWING IS THE SOLE PROPERTY OF FLEETWOOD WINDOWS & DOORS.
ANY REPRODUCTION IN PART OR AS A WHOLE WITHOUT THE WRITTEN PERMISSION OF FLEETWOOD WINDOWS & DOORS IS PROHIBITED.

Description	
Frame Assembly	
File Name	REV
EDGE_p_H Rixson Closer Assembly	-
Released	SHEET 2 OF 5
5/13/2026	

ASSEMBLY / PARTS LIST (B.O.M.)

EXTRUSIONS

ITEM NO.	PART NUMBER	DESCRIPTION	QTY.
1	Ep001	Head	1
2	Ep002	Jamb	2
3	4411	Arche-Duct Sill	2
4	FW1201	2.0" x 0.188" Alum Flat Bar (Slot Drain Spacer)	1
HARDWARE			
5	27422	Fin Seal Mohair	6
6	26233	Flexible Bulb Vinyl	4
7	20353	#10 PHP-A, 1-1/2", SS, Clear	8
8	20350	#10 PHP-A, 1", SS, Clear	4
9	26930	Archetype Blade Sill Strike (Blade Case)*	1
10	27185	Head Pivot Plate 1	1
11	27298	Head Pivot Plate 2	1
12	26476	Top Pivot (Head Portion)	1
13	26325	#1/4-20 Torx FH Screw, 1"	7
14	27355	Rixson Closer Cover Plate 1 of 2	1
15	25486	#10-32 Torx FH Screw, 0.5 in.	6
16	27356	Rixson Closer Cover Plate 2 of 2	1
17	27413	#10-24 FHP, 7/8", SS, Clear	4
18	27357	Rixson Closer Cover Spacer	1
19	See Table B	Rixson Floor Closer*	1
20	27401	V-Lock Assembly*	2 (See Table A)
21	27402	V-Lock Frame Backup Plate 1 of 2	2
22	27403	V-Lock Frame Backup Plate 2 of 2	2
23	25073	#10-32 FHP-B, 3/4", SS, Clear	20
24	24843	#10-32 FHP, UC, 1/2", SS, Clear	4
25	-	Arche-Duct	1
26	25065	14.6mm x 10.2mm I-Strut	1

Table A: Number of V-Locks Recommended
(2 V-Locks shown)

		Pivot Distance			
		<24"		≥24"	
		Active Jamb	Pivot Jamb	Active Jamb	Pivot Jamb
Net Frame Height	<96"	1	1**	1	1
	≥96"	2	2**	2	2

**Optional

Table B: Rixson Floor Closer Options

Swing	Pivot Location	Max Opening Angle	ID
Inswing	Left	105	27408
		90	27409
	Right	105	27410
		90	27411

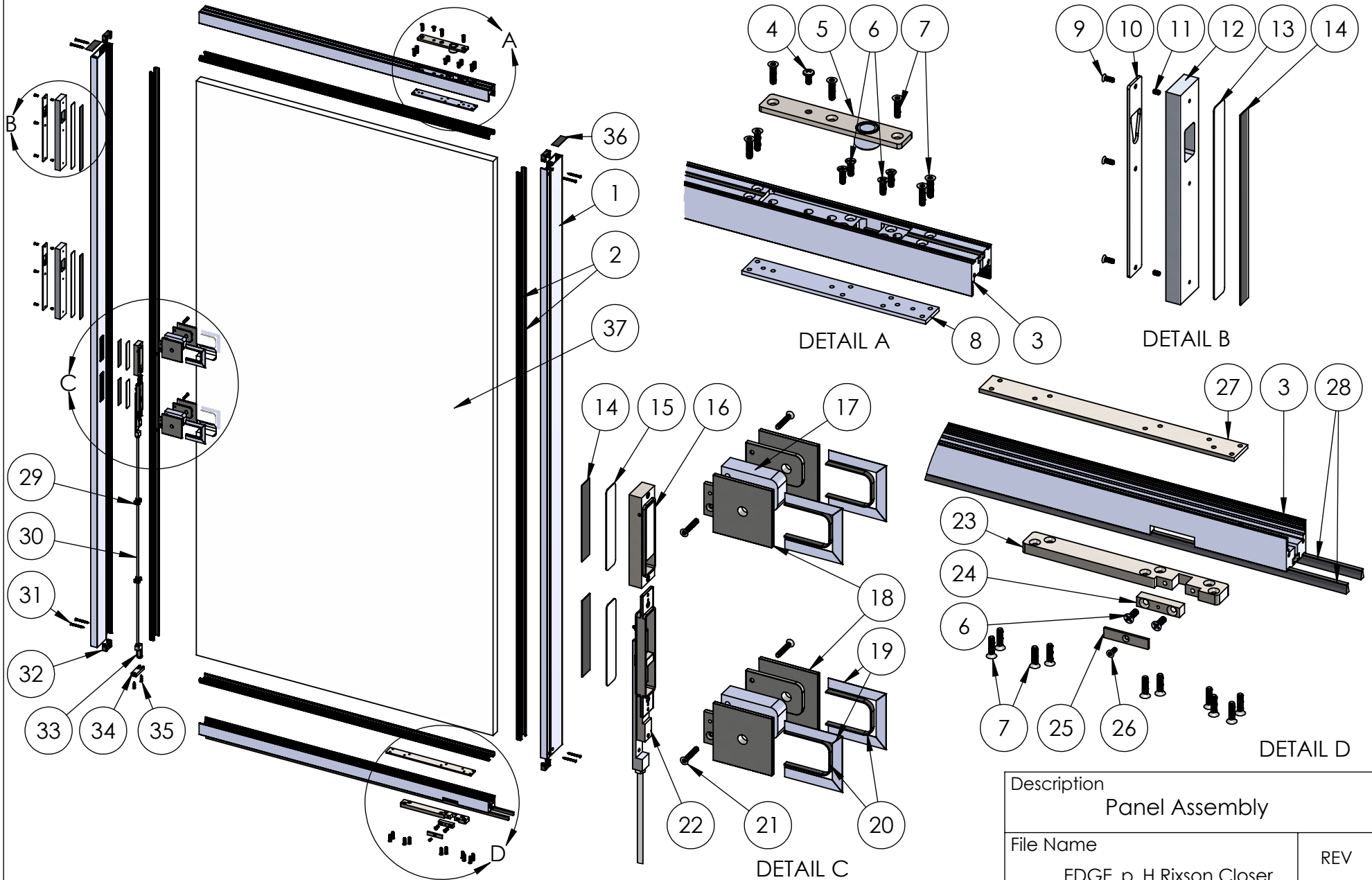
*Needs to be modified by Fleetwood

Description Frame Assembly BOM	
File Name EDGE_p_H Rixson Closer Assembly	REV -
Released	5/13/2026
SHEET 3 OF 5	

PROPRIETARY AND CONFIDENTIAL

THE INFORMATION CONTAINED IN THIS DRAWING IS THE SOLE PROPERTY OF FLEETWOOD WINDOWS & DOORS.
ANY REPRODUCTION IN PART OR AS A WHOLE WITHOUT THE WRITTEN PERMISSION OF FLEETWOOD WINDOWS & DOORS IS PROHIBITED.

ASSEMBLY / PARTS LIST (B.O.M.)



PROPRIETARY AND CONFIDENTIAL
THE INFORMATION CONTAINED IN THIS DRAWING IS THE SOLE PROPERTY OF FLEETWOOD WINDOWS & DOORS.
ANY REPRODUCTION IN PART OR AS A WHOLE WITHOUT THE WRITTEN PERMISSION OF FLEETWOOD WINDOWS & DOORS IS PROHIBITED.

Description		Panel Assembly	
File Name		EDGE_p_H Rixson Closer Assembly	REV -
Released	5/13/2026	SHEET 4 OF 5	

ASSEMBLY / PARTS LIST (B.O.M.)

EXTRUSIONS			
ITEM NO.	PART NUMBER	DESCRIPTION	QTY.
1	Es0008	Fin Lead Stile	2
2	Es0002	Glass Key (1 1/4" Exact)	8
3	Ep003	Top and Bottom Rail	2
HARDWARE			
4	20357	#1/4-20 PHP-B, 1/2", SS, Clear	1
5	26476	Top Pivot (Panel Portion)	1
6	20305	#1/4-20 FHP-B, 3/4", SS, Clear	6
7	26325	#1/4-20 Torx FH Screw, 1"	17
8	27187	Top Rail Back Up Plate	1
9	24843	#10-32 FHP, UC, 1/2", SS, Clear	6
10	27401	V-Lock Strike Plate*	2 (See Table A)
11	27420	#10-32 Set Screw, 5/16"	4
12	27404	V-Lock Panel Backup Plate	2
13	27399	Edge Backup Plate for V-Lock	2
14	25637	3M Double-Sided Foam tape	4
15	27095	Archetype Blade Backup Plate	2
16	26925, 26926	Fin Pull (Clear, Black)	1
17	27723	FSB Pull Mounting Plate - Delrin Spacer	2
18	27697, 27698	FSB Pull Mounting Plate, Ext-Int (Clear, Black)	4
19	27752	3M VHB 4929 Tape	4
20	26271	1/16" x 1/4" Double Sided Foam Glazing Tape	4

HARDWARE			
ITEM NO.	PART NUMBER	DESCRIPTION	QTY.
21	26687	#10-32 FH Torx Screw, 1-1/4", SS, Clear	4
22	26919, 26920	Archetype Blade (Clear, Black)	1
23	27188	Load Arm	1
24	27189	Load Arm Block	1
25	27300, 27190	Load Arm Cover Plate (Brush, Black)	1
26	26414, 27114	#8-32 FH Torx Screw, 1/2", SS (Clear, Black)	1
27	27191	Load Arm Back Up Plate	1
28	27421	Mohair (No Fin Seal)	2
29	25566	Shoot Bolt Rod Guide (Spider)	2
30	26923	Archetype Blade Shoot Bolt Rod Assembly	1
31	20298	#10 FHP-A, 2", SS, Clear	8
32	27326	Weatherstrip Holder	4
33	26921	Shootbolt Cap Assembly	1
34	26922	Archetype Blade Shoot Bolt Guide	1
35	20293	#10 FHP-A, 1", SS, Clear	2
36	27020	Top Rail Sticker - Fin	2
37	-	Glass	1

*Needs to be modified by Fleetwood

Description	
Panel Assembly	
File Name	REV
EDGE_p_H Rixson Closer Assembly	-
Released	SHEET 5 OF 5
5/13/2026	

PROPRIETARY AND CONFIDENTIAL

THE INFORMATION CONTAINED IN THIS DRAWING IS THE SOLE PROPERTY OF FLEETWOOD WINDOWS & DOORS. ANY REPRODUCTION IN PART OR AS A WHOLE WITHOUT THE WRITTEN PERMISSION OF FLEETWOOD WINDOWS & DOORS IS PROHIBITED.