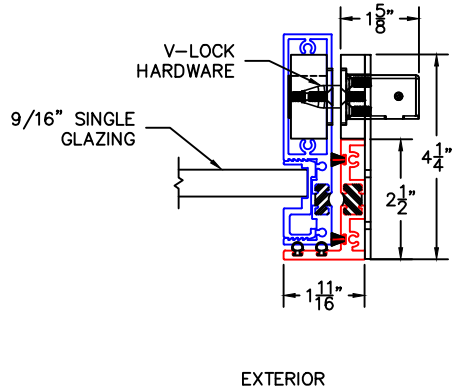


0 1 2 3 4 5 6
 (USE RULER TO SCALE DIMENSIONS IN INCHES)
SCALE: 1/4

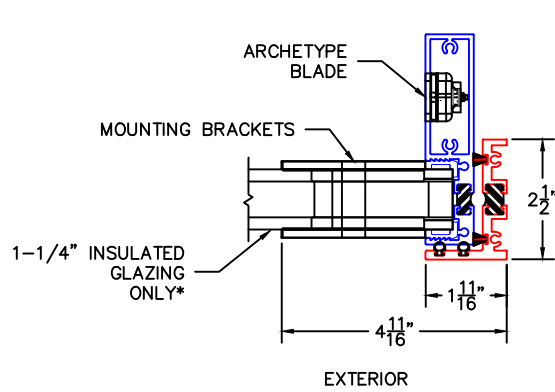
PIVOT DOOR DETAILS (OPTIONS)
 1-1/4" INSULATED GLAZING AND
 9/16" SINGLE GLAZING SHOWN

①
 LOCK JAMB
 WITH V-LOCK



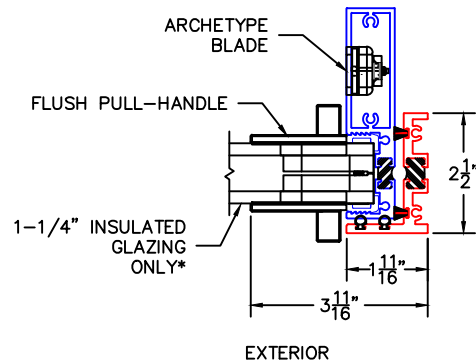
EXTERIOR

①A
 LOCK JAMB
 W/ARCHETYPE BLADE
 AND BRACKETS FOR 3RD PARTY PULL

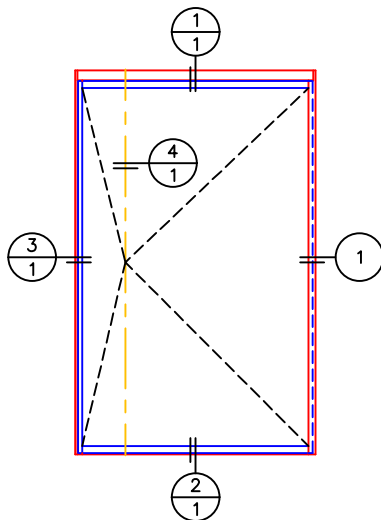


EXTERIOR

①B
 LOCK JAMB
 W/ARCHETYPE BLADE
 AND FLUSH PULL



EXTERIOR



NOTES:

1. NET FRAME HEIGHT IS FROM FINISHED FLOOR (DOES NOT INCLUDE SILL OR ARCHE-DUCT).
2. *9/16" GLAZING NOT OFFERED
3. GLASS PENETRATION: 9/16"