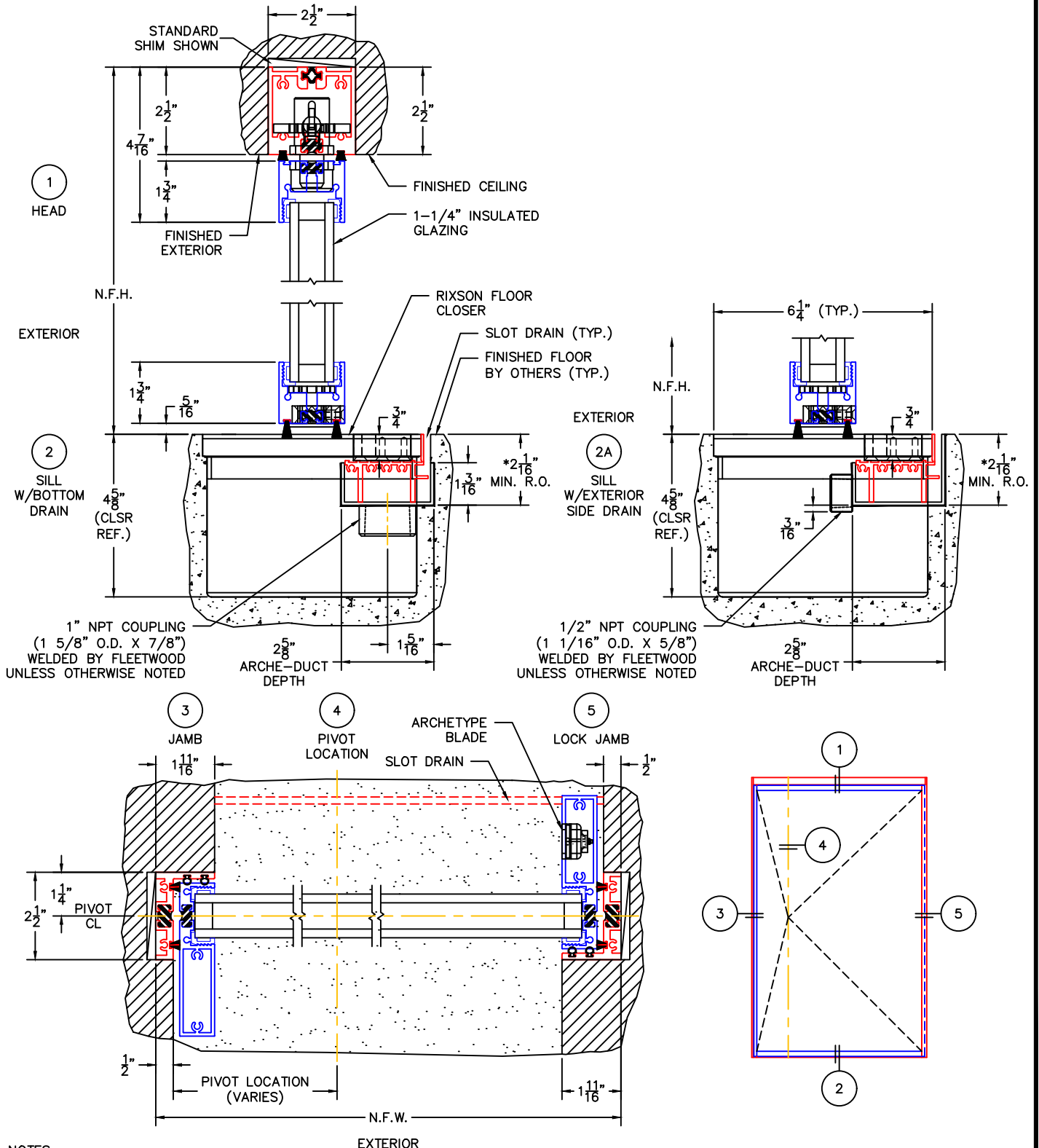


PIVOT DOOR DETAILS WITH RIXSON FLOOR CLOSER  
(1-1/4" INSULATED GLAZING SHOWN)

(USE RULER TO SCALE DIMENSIONS IN INCHES)

SCALE: 1/4



NOTES:

- NET FRAME HEIGHT IS FROM FINISHED FLOOR (DOES NOT INCLUDE SILL OR ARCHE-DUCT).
- NET FRAME DIMENSIONS DO NOT INCLUDE ARCHE-DUCT.
- GLASS PENETRATION: 9/16"
- FOR ADDITIONAL OPTIONS SEE EDGE\_p-03

NOTES (CONT'D):

- \*ARCHE-DUCT MINIMUM R.O. (REFER TO INSTALLATION INSTRUCTIONS FOR RIXSON CLOSER MINIMUM R.O. REQUIREMENTS.)