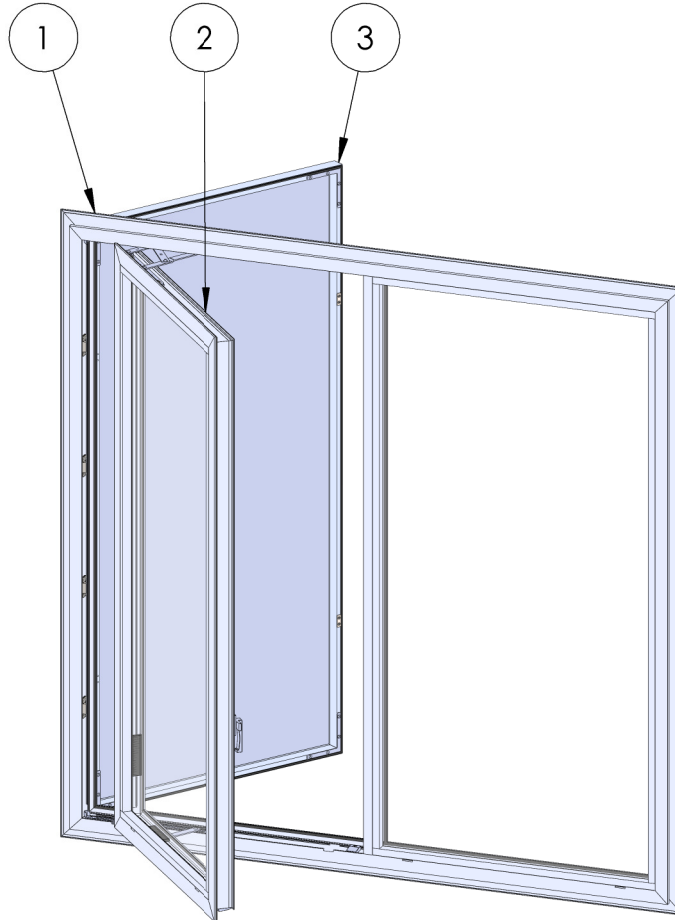


ASSEMBLY / PARTS LIST (B.O.M.)

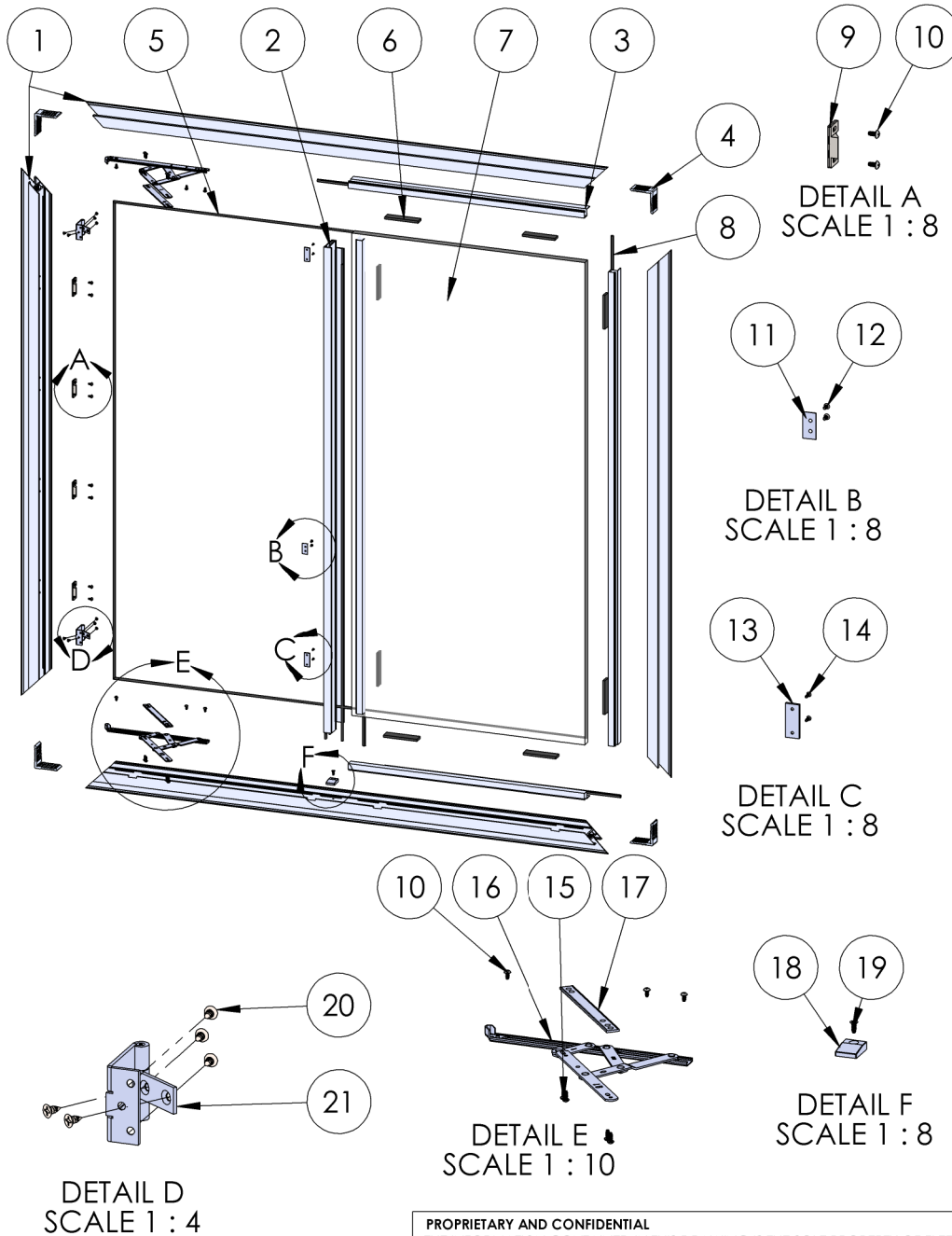
Series: 350-T
Type: Casement (CO) with 4 Bar Hinges & Cam Handle

ITEM NO.	DESCRIPTION	QTY.	PAGE #
1	FRAME ASSEMBLY	1	2
2	PANEL ASSEMBLY	1	3
3	HINGE SCREEN ASSEMBLY	1	4



Description Table of Contents	
File Name Series 350-T CO Casement with 4 Bar Hinges and Cam Handle	REV B
Released 9/17/2024	SHEET 1 OF 4

ASSEMBLY / PARTS LIST (B.O.M.)



EXTRUSIONS			
ITEM NO.	PART NUMBER	DESCRIPTION	QTY.
1	05P88, 05P19	Perimeter - OG (Nail-on Block)	4
2	05P01	Tee Bar (Muntin)	1
3	05P09, 05P12, 05P10, 05P06, 05P05	Glass Stop (1"), (1-1/4"), (1-1/2"), (5/8", 9/16", and 1/2"), (1/4")	4
4	05P04	Corner Key, 1.375 in.	4

HARDWARE			
ITEM NO.	PART NUMBER	DESCRIPTION	QTY.
5	26233	Flexible Bulb Vinyl	3
6	18620	Setting Block 4" x 1/4"x1"	8
7	-	Glass	1
8	25031	Bulb Vinyl-Large	4
9	See Table A	Snubber, Frame Portion	VARIES
10	20337	#10 PHP-B, 3/8", Clear	12*
11	27285	Cam Handle Strike	1
12	27286	#6-32 Torx Screw, 0313", SS, T10	2
13	26149	Hinged Screen Magnet (1 Per Kit)	2
14	25784	#4 FHP-B-UC Screw, 3/8"	4
15	20338	#10 PHP-B, 1/2", Clear	8
16	24932, 22865, 24654, 24655, 22868, 18811	4 Bar Hinge Set (8", 10", 12", 16", 22", 16" Egress (requires 2 per))	1
17	26229, 26230, 26231, 26232	4 Bar 10" Shim	2
18	18770	Large Pivot Shim	1
19	20272	#10 FHP-B-UC, 1/2", SS, Clear	1
20	25782, 25783	#8 FHP-B-UC Screw, 3/8" (SS, Black)	10
21	25216, 25756	Screen Hinge V2 (Clear, Black)	2

Table A: Snubber Option

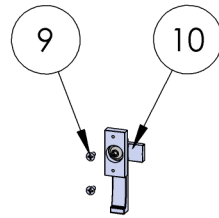
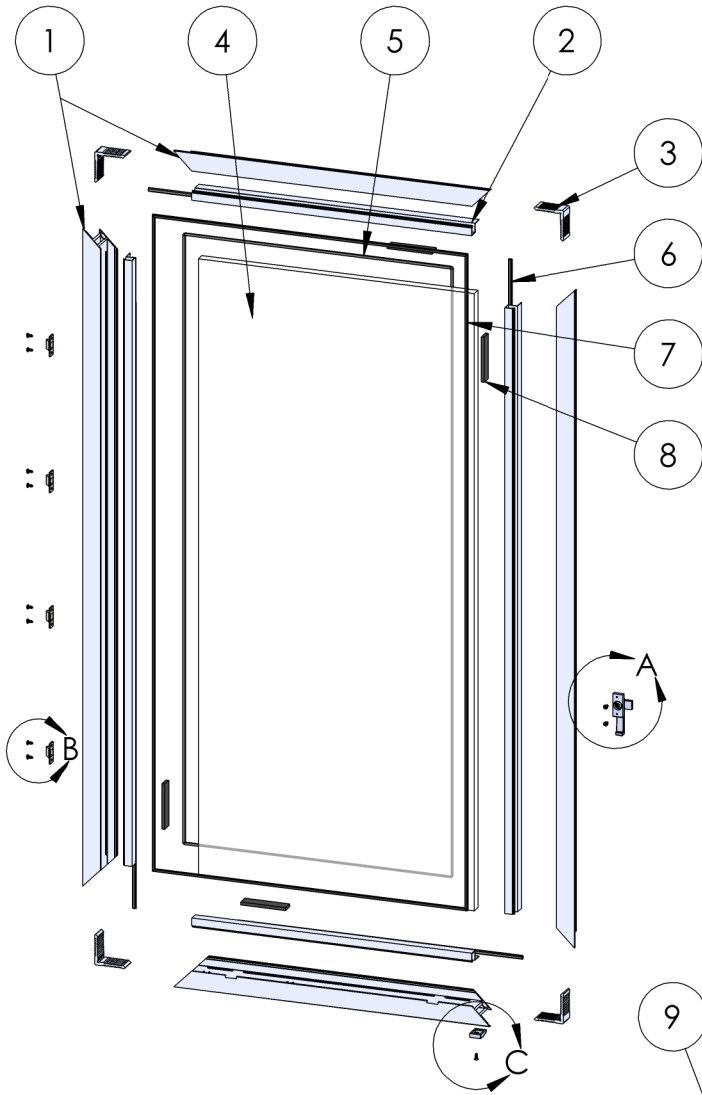
Vent Height	25245 Snubber	20337 Screw
≤48"	1	4
>48"≤60"	2	8
>60"≤72"	3	12
HVHZ	3	12

NOTES:

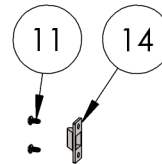
•*QTY. 6 REQ. PER 4-BAR HINGE SET

Description		REV B
Frame Assembly		
File Name		SHEET 2 OF 4
Series 350-T CO Casement with 4 Bar Hinges and Cam Handle		
Released	9/17/2024	

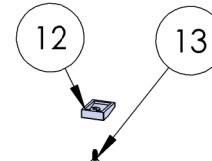
ASSEMBLY / PARTS LIST (B.O.M.)



DETAIL A
SCALE 1 : 8



DETAIL B
SCALE 1 : 8



DETAIL C
SCALE 1 : 8

EXTRUSIONS

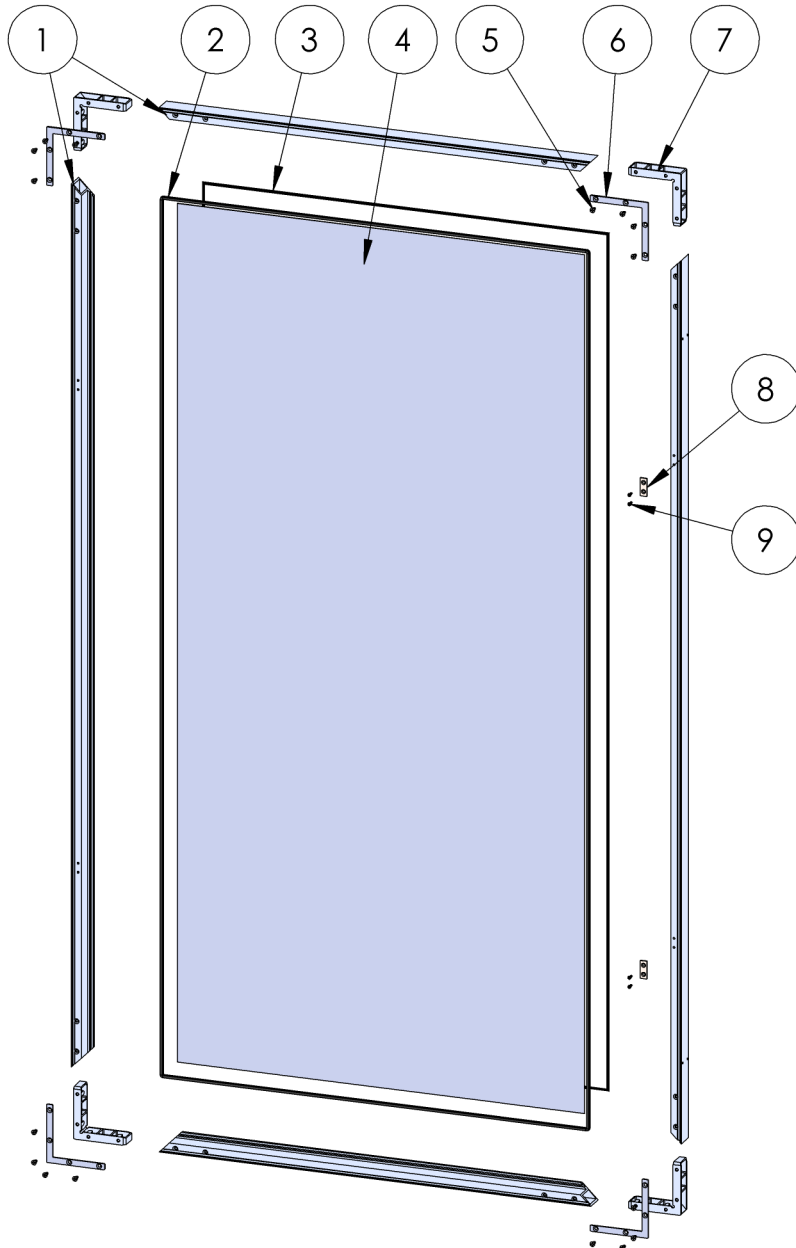
ITEM NO.	PART NUMBER	DESCRIPTION	QTY.
1	05P11	Zee Bar	4
2	05P09, 05P12, 05P10, 05P06, 05P05	Glass Stop (1"), (1-1/4"), (1-1/2"), (5/8", 9/16", and 1/2"), (1/4")	4
3	05P04	Corner Key, 1.375 in.	4

HARDWARE

ITEM NO.	PART NUMBER	DESCRIPTION	QTY.
4	-	Glass	1
5	25199	Mini Bulb Vinyl	1
6	25031	Bulb Vinyl-Large	4
7	26233	Flexible Bulb Vinyl	1
8	18620	Setting Block 4" x 1/4"x1"	4
9	20266	#10-32 FHP-B-UC Screw, .375"	2
10	26059, 26062, 26060, 26063	Cam Handle (RH, SS, Black, LH, SS, Black)	1
11	See Table A	#10 PHP-B, 3/8", Clear	VARIES
12	18770	Large Pivot Shim	1
13	20272	#10 FHP-B-UC, 1/2", SS, Clear	1
14	See Table A	Snubber (HVHZ only)	VARIES

Description Panel Assembly	
File Name Series 350-T CO Casement with 4 Bar Hinges and Cam Handle	REV B
Released 9/17/2024	SHEET 3 OF 4

ASSEMBLY / PARTS LIST (B.O.M.)



EXTRUSIONS

ITEM NO.	PART NUMBER	DESCRIPTION	QTY.
1	958	Hinged Screen Frame	4

HARDWARE

ITEM NO.	PART NUMBER	DESCRIPTION	QTY.
2	25189	Q-Lon Foam Seal	1
3	19127	Screen Rubber Spline .150	1
4	-	Screen Mesh	1
5	20240, 20241	#8 FHP - A - UC, 1/2", (SS, Black)	16
6	25400, 25401	Hinge Screen Brace (BL, SS)	4
7	25759	Corner Key	4
8	26149	Hinge Screen Magnet and Strike Kit	2
9	25784	#4 FHP-B-UC Screw, 3/8"	4

PROPRIETARY AND CONFIDENTIAL

THE INFORMATION CONTAINED IN THIS DRAWING IS THE SOLE PROPERTY OF FLEETWOOD WINDOWS & DOORS.
ANY REPRODUCTION IN PART OR AS A WHOLE WITHOUT THE WRITTEN PERMISSION OF FLEETWOOD WINDOWS & DOORS IS PROHIBITED.

Description Hinge Screen Assembly	
File Name Series 350-T CO Casement with 4 Bar Hinges and Cam Handle	REV B
Released 9/17/2024	SHEET 4 OF 4