

ASSEMBLY / PARTS LIST (B.O.M.)

Series: 350-T
Type: Casement (CC) with 4 Bar Hinges & Cam Handles

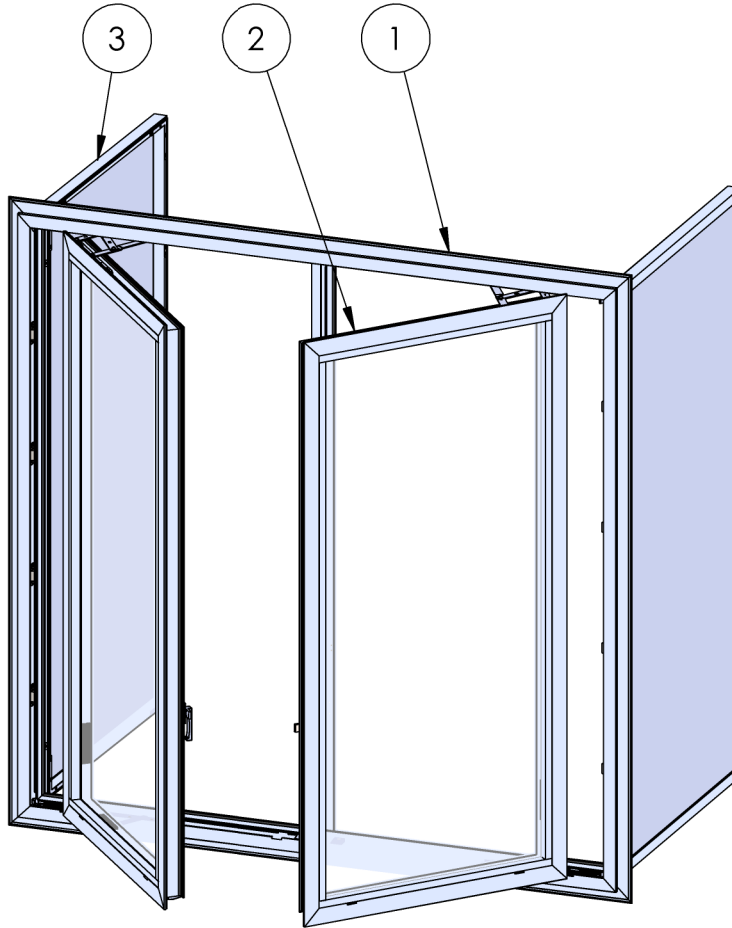


TABLE OF CONTENTS

ITEM NO.	DESCRIPTION	QTY.	PAGE #
1	FRAME ASSEMBLY	1	2
2	PANEL ASSEMBLY	2	3
3	HINGE SCREEN ASSEMBLY	2	4

Notes:

1. For Butt Hinge and Roto Operator Hardware see Casement Butt Hinge Assembly BOM

Description
Table of Contents

File Name
Series 350-T CC Casement
Assembly with 4 Bar Hinges
and Cam Handles

REV
B

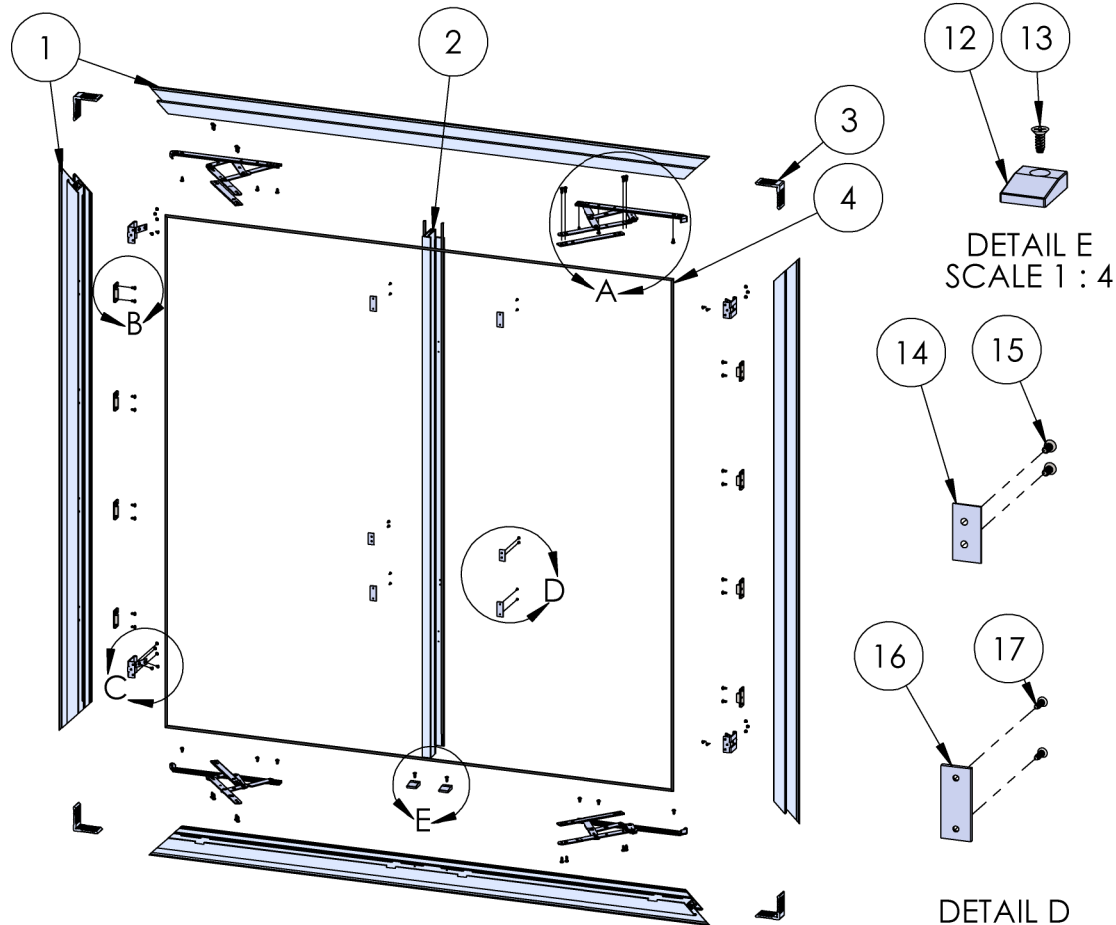
Released 9/17/2024

SHEET 1 OF 4

PROPRIETARY AND CONFIDENTIAL

THE INFORMATION CONTAINED IN THIS DRAWING IS THE SOLE PROPERTY OF FLEETWOOD WINDOWS & DOORS.
ANY REPRODUCTION IN PART OR AS A WHOLE WITHOUT THE WRITTEN PERMISSION OF FLEETWOOD WINDOWS & DOORS IS PROHIBITED.

ASSEMBLY / PARTS LIST (B.O.M.)



EXTRUSIONS			
ITEM NO.	PART NUMBER	DESCRIPTION	QTY.
1	05P88, 05P19	Perimeter - OG (Nail-on, Block)	4
2	05P01	Tee Bar (Muntin)	1
3	05P04-1.37	Corner Key, 1.375 in.	4

HARDWARE			
ITEM NO.	PART NUMBER	DESCRIPTION	QTY.
4	26233	Flexible Bulb Vinyl	3
5	20338	#10 PHP-B, 1/2", Clear	16
6	26229, 26230, 26231, 26232	4 Bar Shim (10", 12", 16", 22")	4
7	24932, 22865, 24654, 24655, 22868, 18811	4 Bar Hinge Set (8", 10", 12", 16", 22", 16" Egress (requires 2 per))	2
8	20337	#10 PHP-B, 3/8", Clear	24*
9	See Table A	Snubber, Frame Portion	VARIABLES
10	25782, 25783	#8 FHP-B-UC Screw, 3/8" (SS, Black)	20
11	25216, 25756	Screen Hinge V2 (Clear, Black)	4
12	18770	Large Pivot Shim	2
13	20272	#10 FHP-B-UC, 1/2", SS, Clear	2
14	27285	Cam Handle Strike	2
15	27286	#6-32 Torx Screw, 0313", SS, T10	4
16	26149	Hinged Screen Magnet (1 Per Kit)	4
17	25784	#4 FHP-B-UC Screw, 3/8"	8

DETAIL E
SCALE 1 : 4

DETAIL D
SCALE 1 : 4

DETAIL B
SCALE 1 : 4

DETAIL C
SCALE 1 : 4

DETAIL A
SCALE 1 : 10

Table A: Snubber Option (HVHZ only)

Frame Height	25245 Snubber	20337 Screw
≥24"	1	4
≥36"	2	8
≥48"	3	12
≥60"	4	16
≥72"	5	20
≥84"	6	24
≥96"	7	28

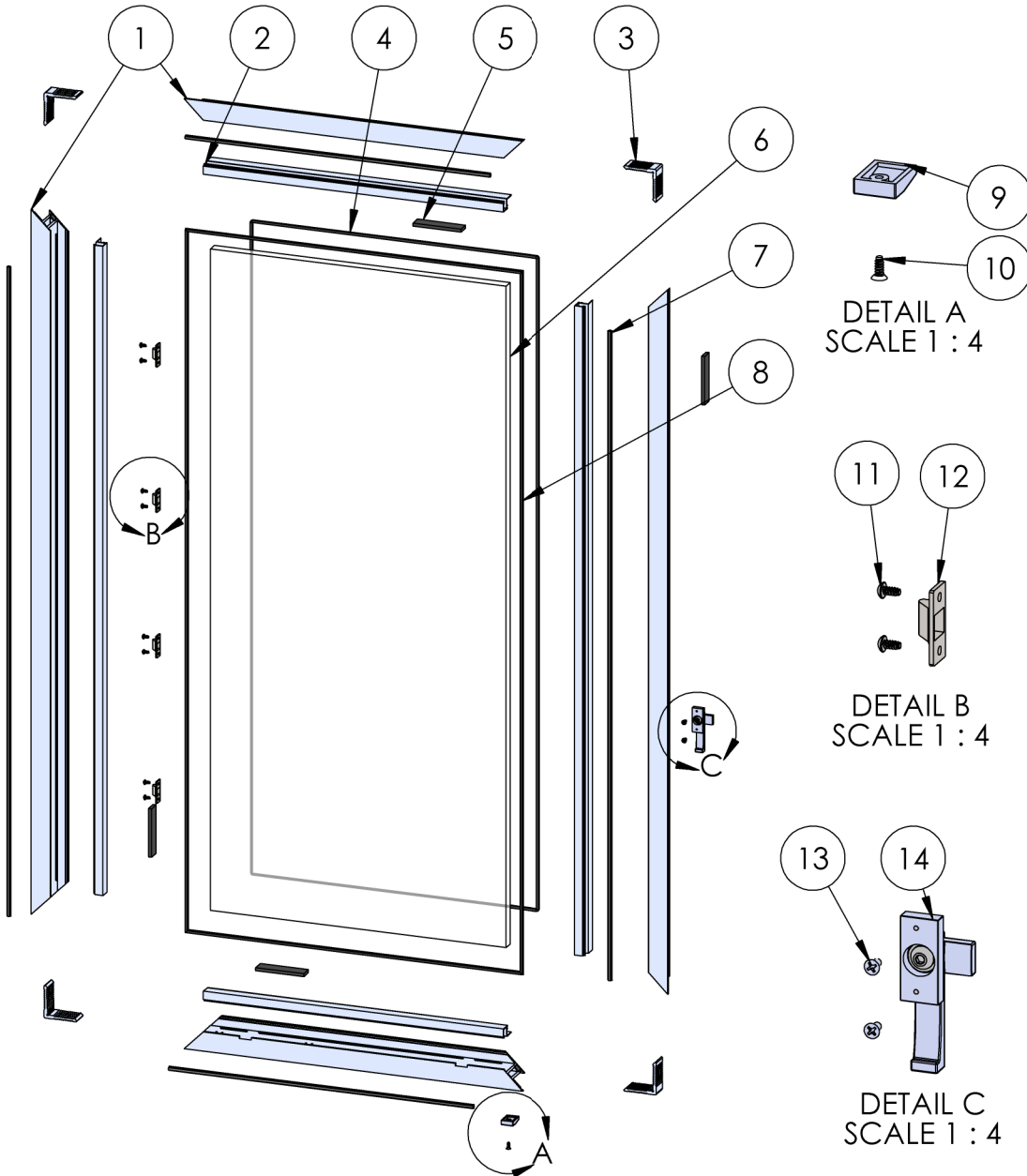
NOTES:

- *QTY. 6 REQ. PER 4-BAR HINGE SET

PROPRIETARY AND CONFIDENTIAL
THE INFORMATION CONTAINED IN THIS DRAWING IS THE SOLE PROPERTY OF FLEETWOOD WINDOWS & DOORS.
ANY REPRODUCTION IN PART OR AS A WHOLE WITHOUT THE WRITTEN PERMISSION OF FLEETWOOD WINDOWS & DOORS IS PROHIBITED.

Description Frame Assembly		REV B
File Name Series 350-T CC Casement Assembly with 4 Bar Hinges and Cam Handles		
Released	9/17/2024	SHEET 2 OF 4

ASSEMBLY / PARTS LIST (B.O.M.)



EXTRUSIONS

ITEM NO.	PART NUMBER	DESCRIPTION	QTY.
1	05P11	Zee Bar	4
2	05P09, 05P12, 05P10, 05P06, 05P05	Glass Stop (1"), (1-1/4"), (1-1/2"), (5/8"), 9/16" and 1/2"), (1/4")	4
3	05P04-1.37	Corner Key, 1.375 in.	4

HARDWARE

ITEM NO.	PART NUMBER	DESCRIPTION	QTY.
4	25199	Mini Bulb Vinyl	1
5	18620	Setting Block 4" x 1/4"x1"	4
6	-	Glass	1
7	25031	Bulb Vinyl-Large	4
8	26233	Flexible Bulb Vinyl	1
9	18770	Large Pivot Shim	1
10	20272	#10 FHP-B-UC, 1/2", SS, Clear	1
11	20337	#10 PHP-B, 3/8", Clear	8
12	See Table A	Snubber (HVHZ only)	4
13	20266	#10-32 FHP-B-UC Screw, .375"	2
14	26059, 26062, 26060, 26063	Cam Handle (RH, SS, Black, LH, SS, Black)	1

Description
Panel Assembly

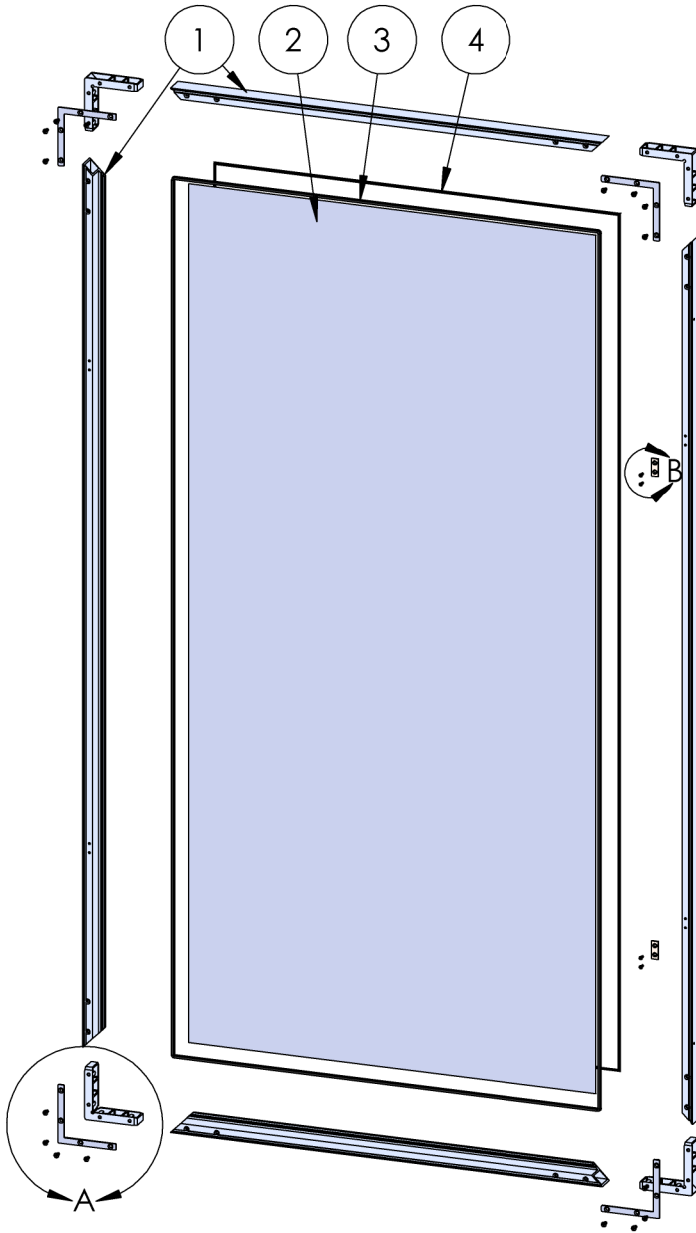
File Name
Series 350-T CC Casement
Assembly with 4 Bar Hinges
and Cam Handles

REV
B

Released 9/17/2024

SHEET 3 OF 4

ASSEMBLY / PARTS LIST (B.O.M.)

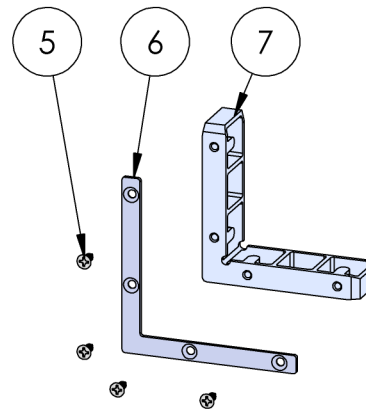


EXTRUSIONS

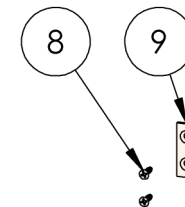
ITEM NO.	PART NUMBER	DESCRIPTION	QTY.
1	958	Hinged Screen Frame	4

HARDWARE

ITEM NO.	PART NUMBER	DESCRIPTION	QTY.
2	-	Screen Mesh	1
3	25189	Q-Lon Foam Seal	1
4	19127	Screen Rubber Spline .150	1
5	20240, 20241	#8 FHP - A - UC, 1/2", (SS, Black)	16
6	25400, 25401	Hinge Screen Brace (BL, SS)	4
7	25759	Corner Key	4
8	25784	#4 FHP-B-UC Screw, 3/8"	4
9	26149	Hinge Screen Magnet and Strike Kit	2



DETAIL A
SCALE 1 : 4



DETAIL B
SCALE 1 : 4

Description
Hinged Screen Assembly

File Name
Series 350-T CC Casement
Assembly with 4 Bar Hinges
and Cam Handles

REV
B

Released 9/17/2024

SHEET 4 OF 4