

COMPANY: _____

QUOTE #: _____ ITEM #: _____ DATE: _____

DRAIN COUPLINGS TO BE WELDED PER OPTION

PLEASE MAKE SELECTIONS:

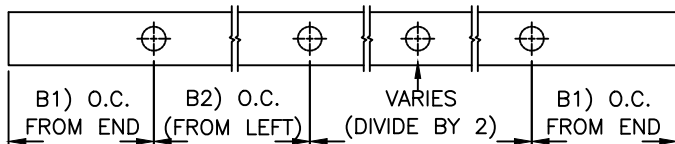
>> 1) DRAIN SPACING

(A) 8" FROM END; 60" MAX (O.C.).....

(B) OTHER.....

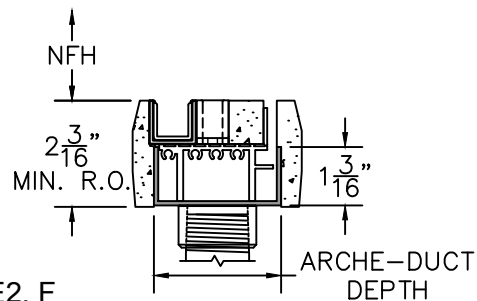
1) FROM END (O.C.):.....

2) SPACING (O.C.):.....



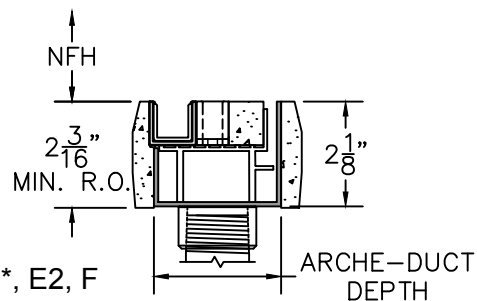
>> ARCHE-DUCT HEIGHT <<

(1)
(STANDARD)



.....
1 3/16" PAN:
OPT. B, D2**, E2, F

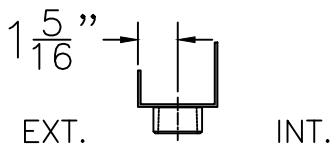
(2)
(OPTIONAL)



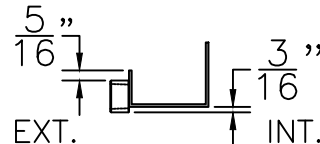
.....
2 1/8" PAN:
OPT. B, D1, D2*, E2, F

>> 2) DRAIN COUPLING LOCATIONS (OPTIONS)

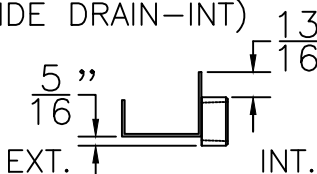
B: (1" BOTTOM DRAIN)



E2: (1/2" SIDE DRAIN-EXT)

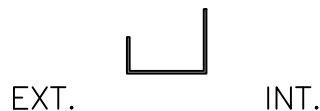


D1: (1" SIDE DRAIN-INT)

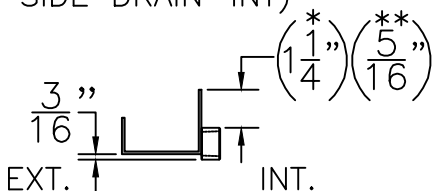


(2 1/8" INTERIOR LEG ONLY)

F: (NO DRAINS BY FLEETWOOD)



D2: (1/2" SIDE DRAIN-INT)



CUSTOMER SIGNATURE: _____

DATE: _____