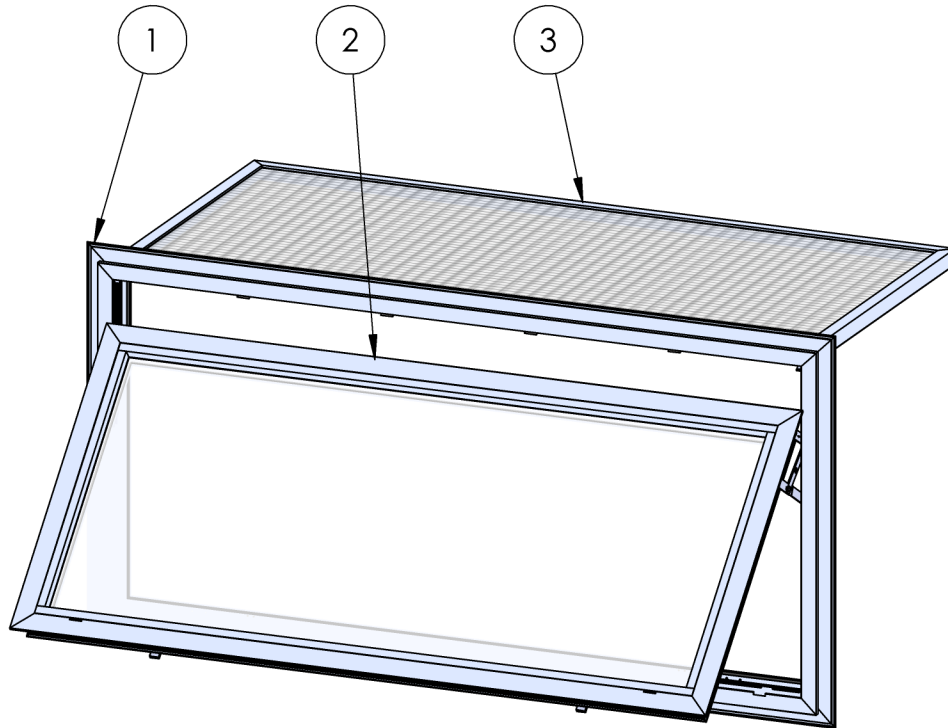


ASSEMBLY / PARTS LIST (B.O.M.)

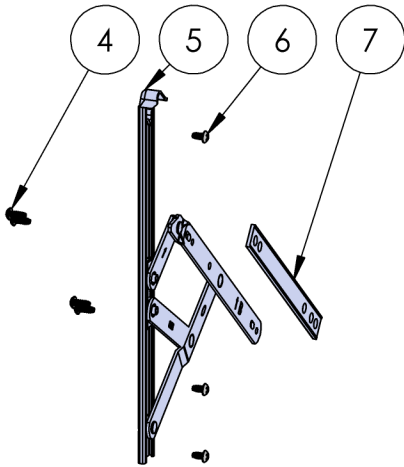
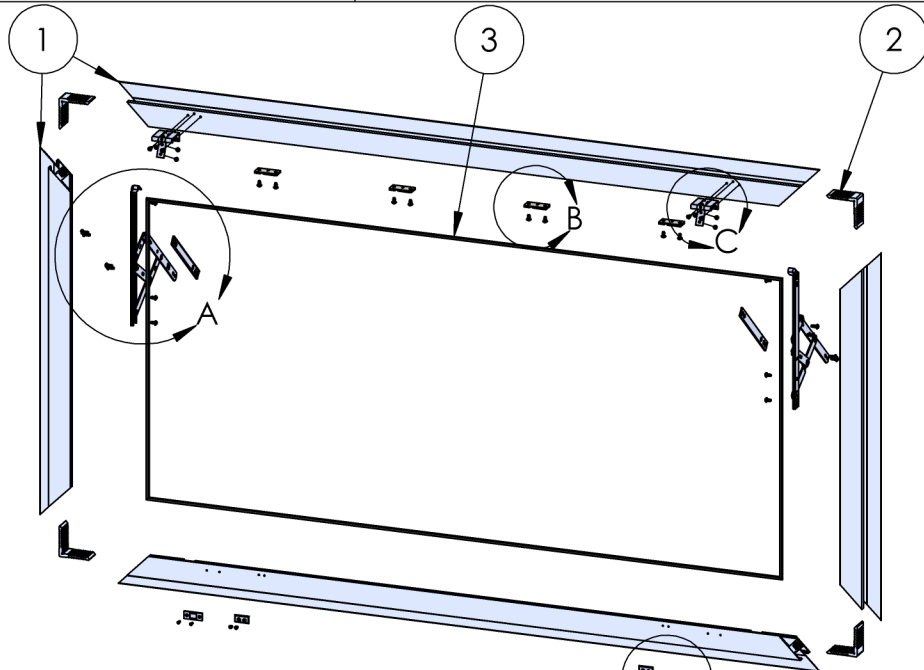
Series: 350-T
Type: Awning (A) with 4 Bar Hinges and 2 Cam Handles

ITEM NO.	DESCRIPTION	QTY.	PAGE #
1	FRAME ASSEMBLY	1	2
2	PANEL ASSEMBLY	1	3
3	HINGED SCREEN ASSEMBLY	1	4

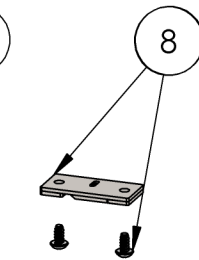


Description Table of Contents	
File Name Series 350-T A Awning Assembly with 4 Bar Hinges and Cam Handles	REV B
Released 4/21/2025	SHEET 1 OF 4

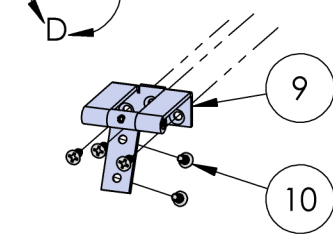
ASSEMBLY / PARTS LIST (B.O.M.)



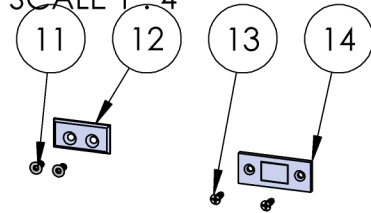
DETAIL A
SCALE 1 : 6



DETAIL B
SCALE 1 : 4



DETAIL C
SCALE 1 : 4



DETAIL D
SCALE 1 : 4

EXTRUSIONS			
ITEM NO.	PART NUMBER	DESCRIPTION	QTY.
1	05P88, 05P19	Perimeter - OG (Nail-on, Block)	4
2	05P04	Corner Key, 1.375 in.	4
HARDWARE			
ITEM NO.	PART NUMBER	DESCRIPTION	QTY.
3	26233	Flexible Bulb Vinyl	1
4	20338	#10 PHP-B, 1/2", Clear	8
5	24932, 22865, 24654, 24655, 22868, 18811	4 Bar Hinge Set (8", 10", 12", 16", 22", 16" Egress (requires 2 per))	1
6	20337	#10 PHP-B, 3/8", Clear	6
7	26229, 26230, 26231, 26232	4 Bar Shim (10", 12", 16", 22")	2
8	See Table A	Snubber, Frame Portion	Varies
9	25216, 25756	Screen Hinge V2 (Clear, Black)	2
10	20240, 20241	#8 FHP - A - UC, 1/2", (SS, Black)	10
11	27286	#6-32 Torx Screw, 0.313", SS, T10	4
12	27285	Cam Handle Strike	2
13	25784	#4 FHP-B-UC Screw, 3/8"	4
14	26149	Hinge Screen Magnet (1 Per Kit)	2

Table A: Snubber Option (HVHZ only)

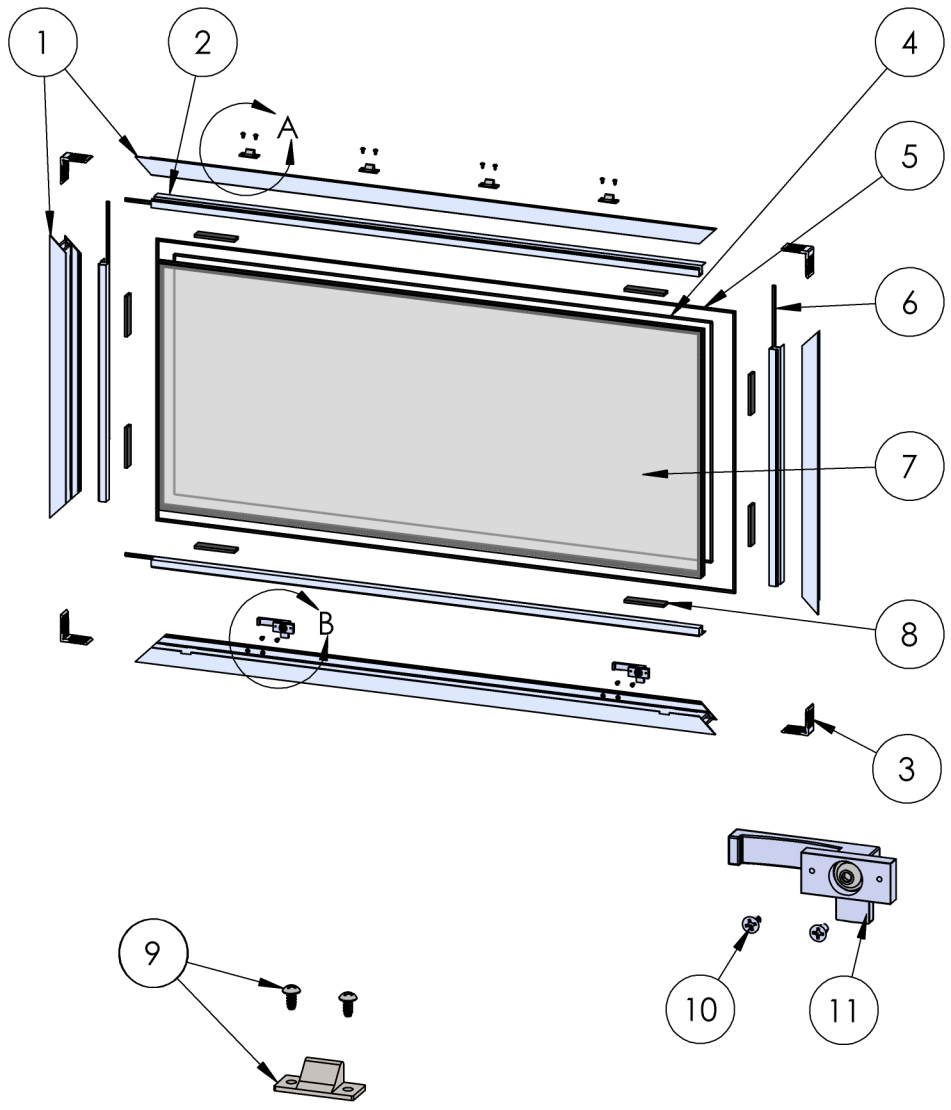
Frame Width	25245 Snubber	20337 Screw
≥24"	1	4
≥36"	2	8
≥48"	3	12
≥60"	4	16
≥72"	5	20
≥84"	6	24
≥96"	7	28

NOTES:

- FRAME VIEWED FROM THE INTERIOR

Description Frame Assembly	
File Name Series 350-T A Awning Assembly with 4 Bar Hinges and Cam Handles	REV B
Released 4/21/2025	SHEET 2 OF 4

ASSEMBLY / PARTS LIST (B.O.M.)



DETAIL A
SCALE 1 : 4

DETAIL B
SCALE 1 : 4

EXTRUSIONS

ITEM NO.	PART NUMBER	DESCRIPTION	QTY.
1	05P11	Zee Bar	4
2	05P09, 05P12, 05P10, 05P06, 05P05	Glass Stop (1"), (1-1/4"), (1-1/2"), (5/8", 9/16" and 1/2"), (1/4")	4
3	05P04	Corner Key, 1.375 in.	4

HARDWARE

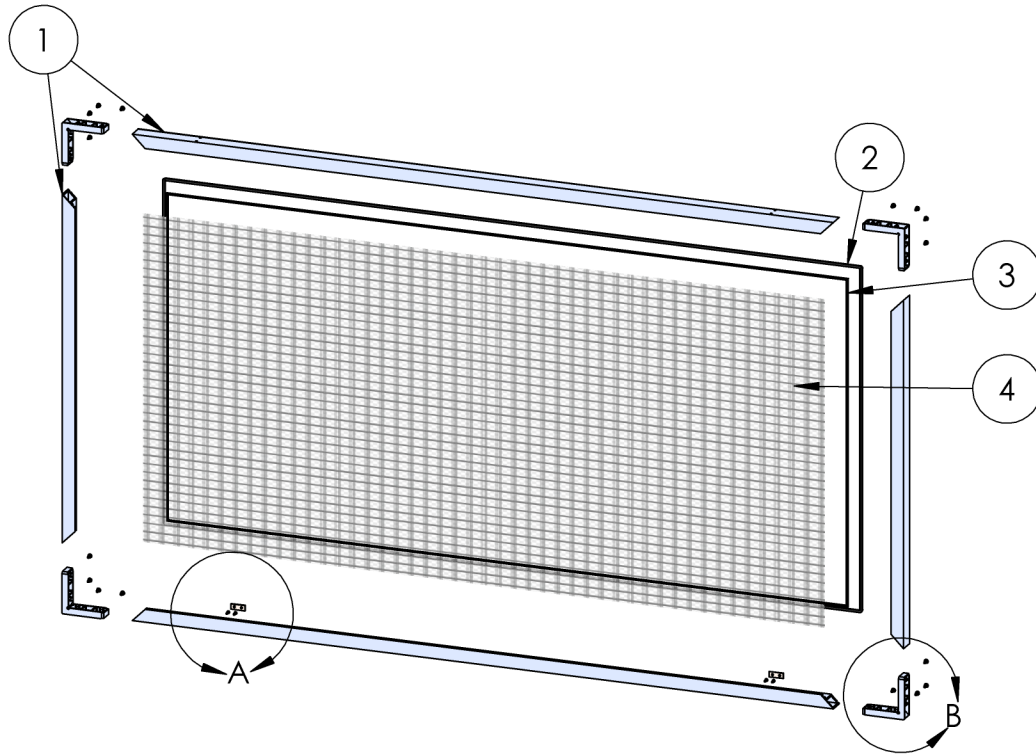
ITEM NO.	PART NUMBER	DESCRIPTION	QTY.
4	25199	Mini Bulb Vinyl	1
5	26233	Flexible Bulb Vinyl	1
6	25031	Bulb Vinyl-Large	4
7	-	Glass	1
8	18620	Setting Block 4" x 1/4"x1"	8
9	See Table A	Snubber (HVHZ only)	VARIABLES
10	20266	#10-32 FHP-B-UC Screw, .375"	4
11	26059, 26062, 26060, 26063	Cam Handle (RH, SS, Black, LH, SS, Black)	2

Notes:

- NFW > 40 in. will have 2 cam handles.

Description Panel Assembly	
File Name Series 350-T A Awning Assembly with 4 Bar Hinges and Cam Handles	REV B
Released 4/21/2025	SHEET 3 OF 4

ASSEMBLY / PARTS LIST (B.O.M.)



DETAIL A
SCALE 1 : 4

DETAIL B
SCALE 1 : 6

EXTRUSIONS

ITEM NO.	PART NUMBER	DESCRIPTION	QTY.
1	958	Hinged Screen Frame	4

HARDWARE

ITEM NO.	PART NUMBER	DESCRIPTION	QTY.
2	25189	Q-Lon Foam Seal	1
3	19127	Screen Rubber Spline .150	1
4	-	Screen Mesh	1
5	25784	#4 FHP-B-UC Screw, 3/8"	4
6	26149	Hinge Screen Magnet and Strike Kit	2
7	20240, 20241	#8 FHP - A - UC, 1/2", (SS, Black)	16
8	25759	Corner Key	4

Description
Hinged Screen Assembly

File Name
Series 350-T A Awning
Assembly with 4 Bar Hinges
and Cam Handles

REV
B