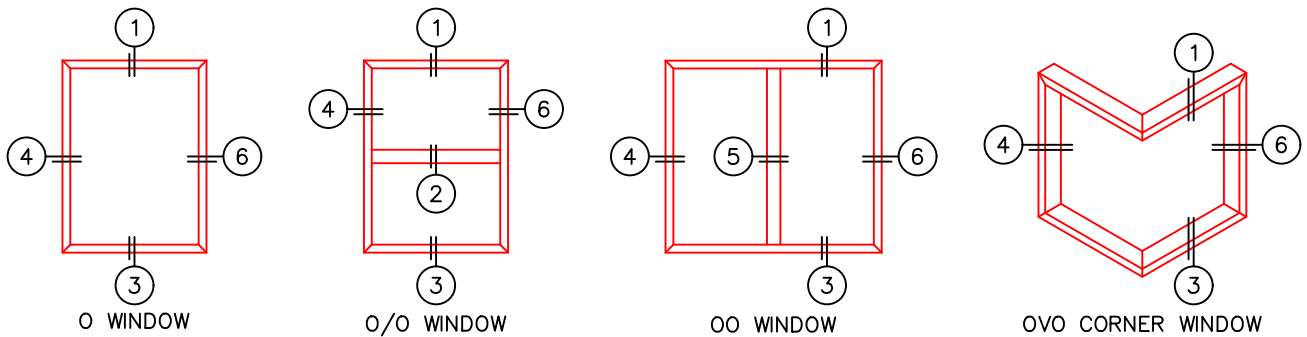
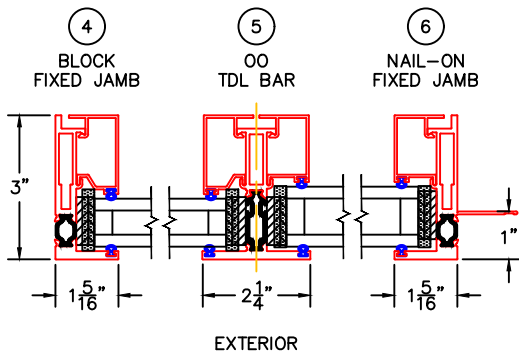
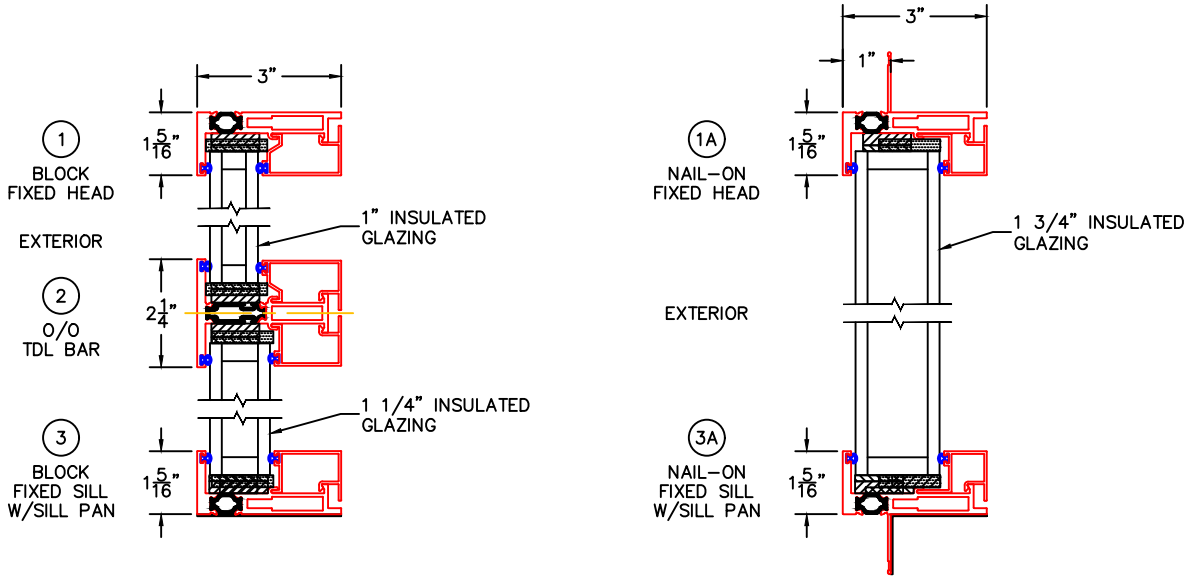




(USE RULER TO SCALE DIMENSIONS IN INCHES)

SCALE: 1/4"

INSIDE GLAZED FIXED DETAILS
1", 1-1/4" AND 1-3/4" INSULATED GLAZING
AVAILABLE AS SHOWN

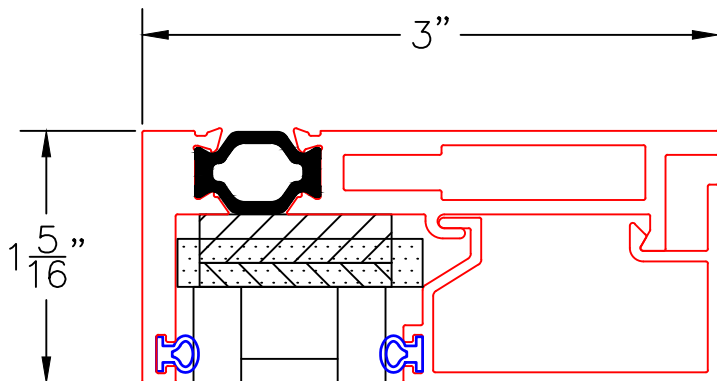


-GLASS PENETRATION = 1/2"
-EXTERIOR RATED PRODUCTS HAVE WEEP SLOTS ON HORIZONTAL SILLS.

0 0.5 1
 (USE RULER TO SCALE DIMENSIONS IN INCHES)
SCALE: FULL

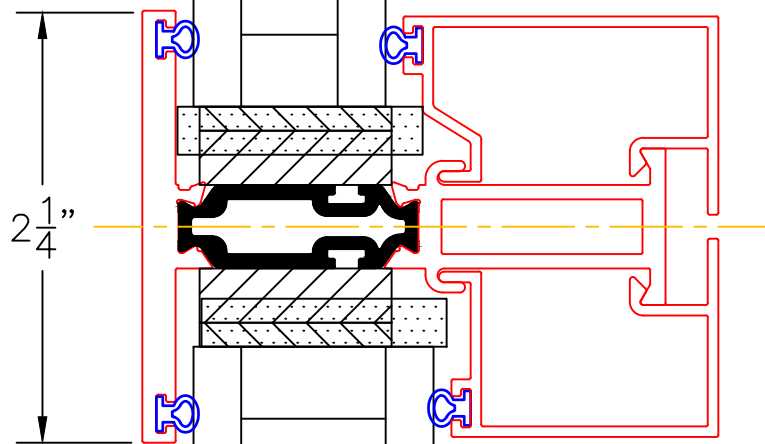
INSIDE GLAZED FIXED UNIT DETAILS
 1" & 1-1/4" INSULATED GLAZING SHOWN

①
 BLOCK
 FIXED HEAD

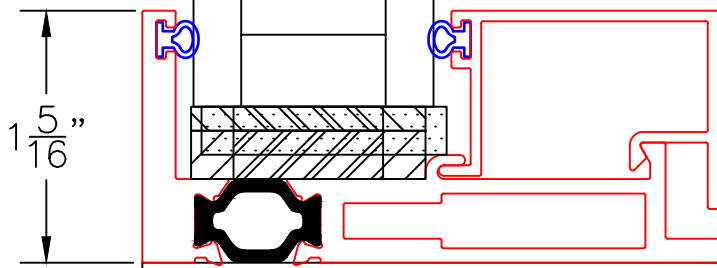


EXTERIOR

②
 O/O
 TDL BAR

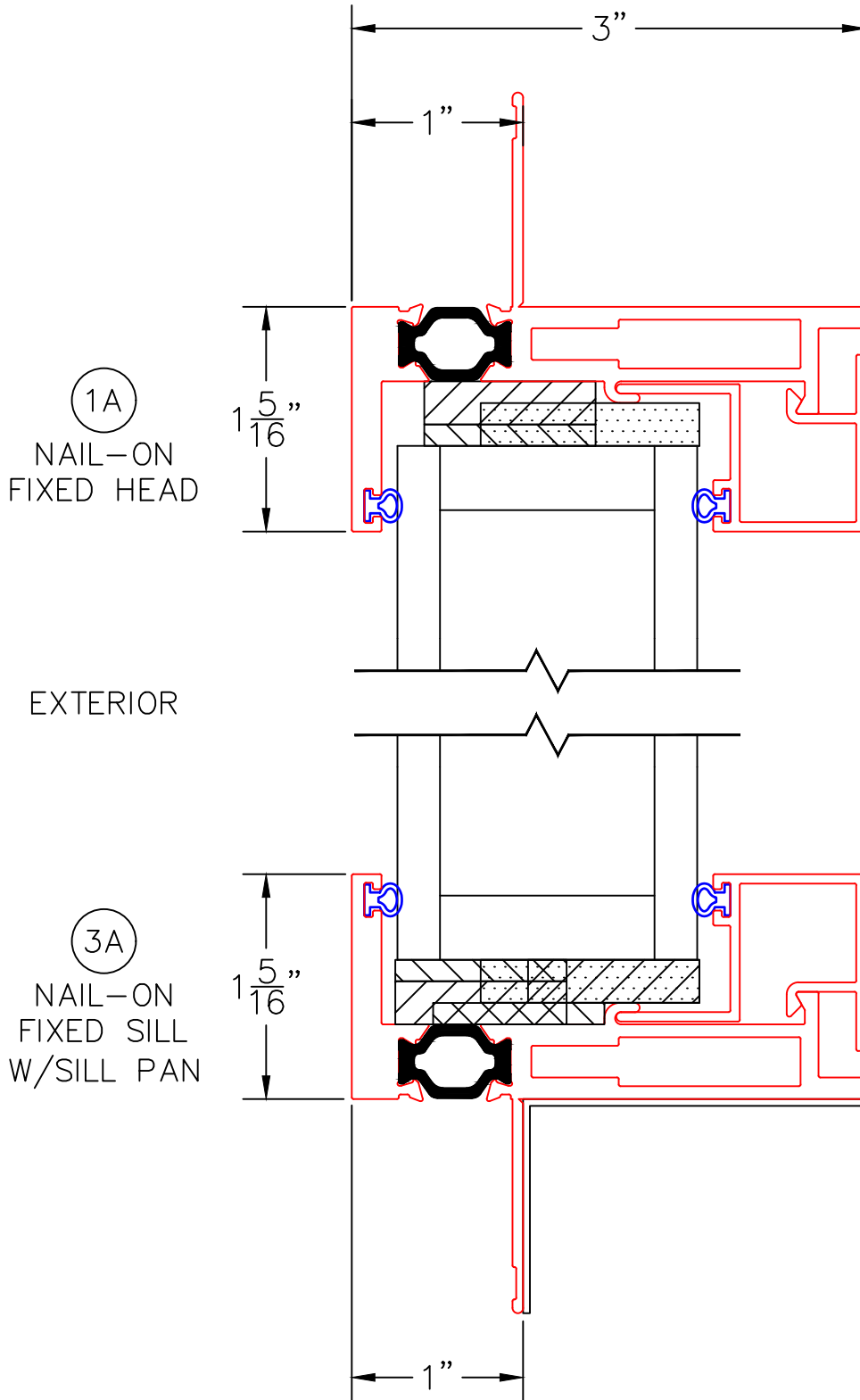


③
 BLOCK
 FIXED SILL
 W/SILL PAN



0 0.5 1
 (USE RULER TO SCALE DIMENSIONS IN INCHES)
SCALE: FULL

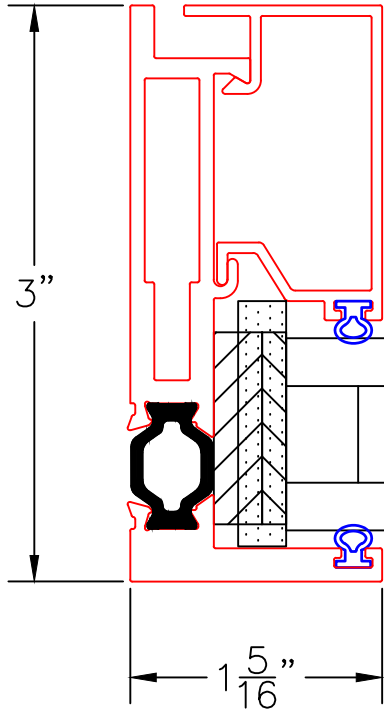
INSIDE GLAZED FIXED UNIT DETAILS
 1-3/4" INSULATED GLAZING SHOWN



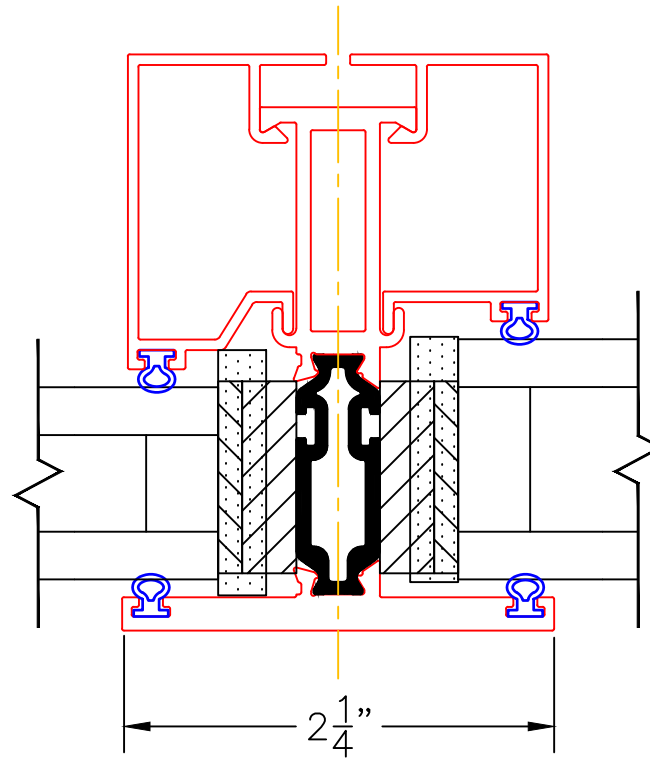
0 0.5 1
(USE RULER TO SCALE DIMENSIONS IN INCHES)
SCALE: FULL

INSIDE GLAZED FIXED UNIT DETAILS 1 & 1-1/4" INSULATED GLAZING SHOWN

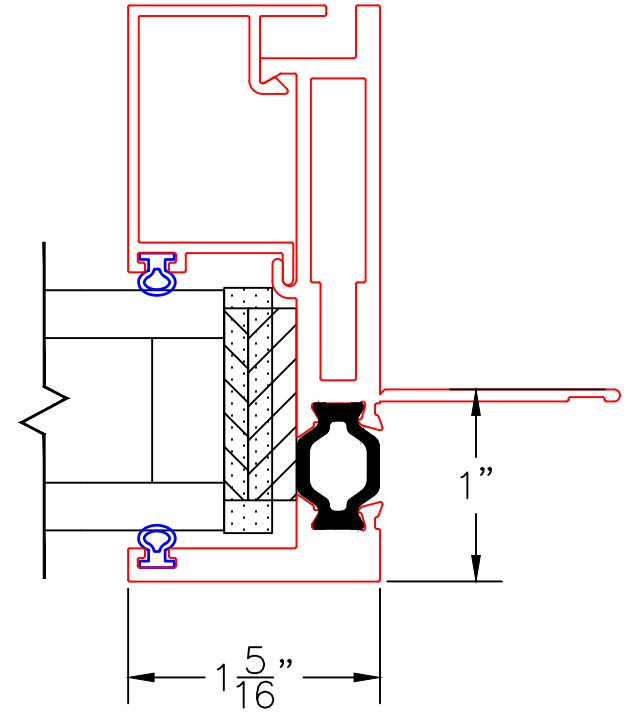
④
BLOCK
FIXED JAMB



⑤
OO
TDL BAR



⑥
NAIL-ON
FIXED JAMB



EXTERIOR