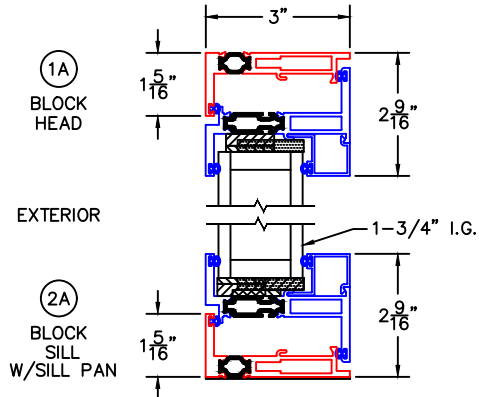
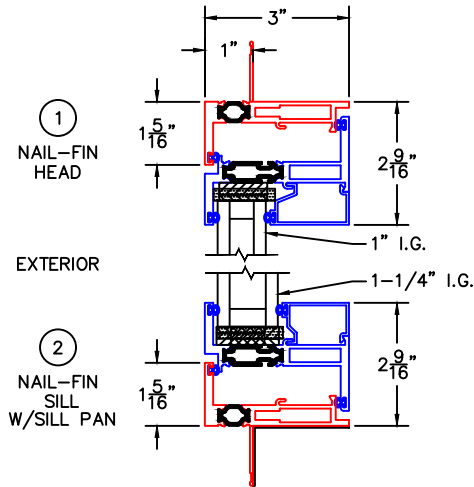


(USE RULER TO SCALE DIMENSIONS IN INCHES)

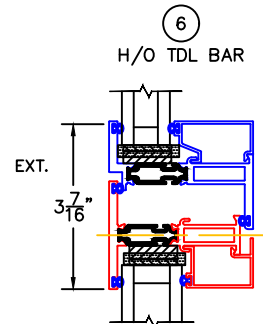
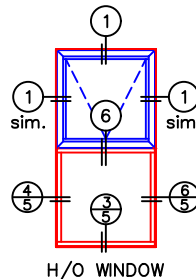
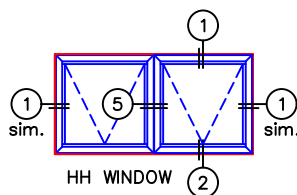
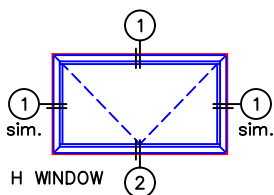
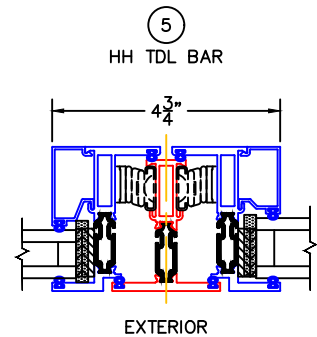
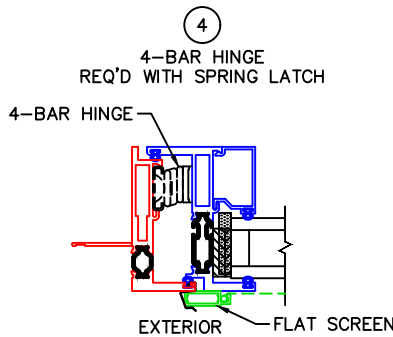
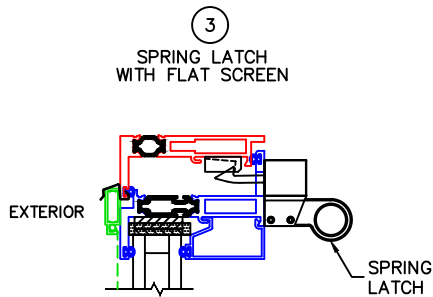
SCALE: 1/4"

HOPPER WINDOW DETAILS

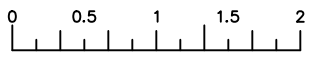
1", 1-1/4" AND 1-3/4" INSULATED
GLAZING AVAILABLE AS SHOWN



HARDWARE OPTIONS



-GLASS PENETRATION: 1/2"
-3/32" VENT FLUSH TOLERANCE IN CLOSED POSITION.
-EXTERIOR RATED PRODUCTS HAVE WEEP SLOTS ON HORIZONTAL SILLS.

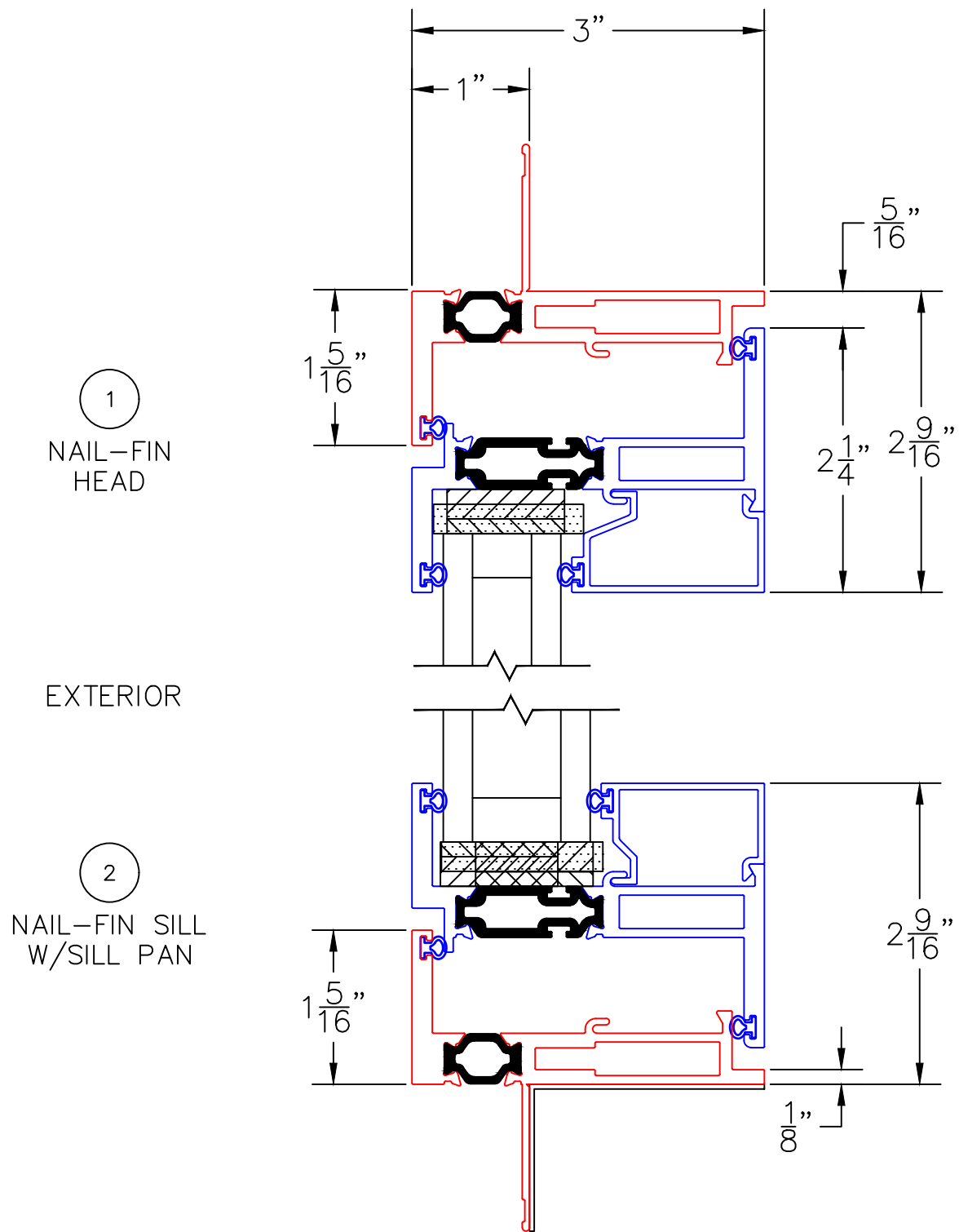


(USE RULER TO SCALE DIMENSIONS IN INCHES)

SCALE: 3/4

HOPPER WINDOW DETAILS

1" & 1-1/4" INSULATED GLAZING SHOWN



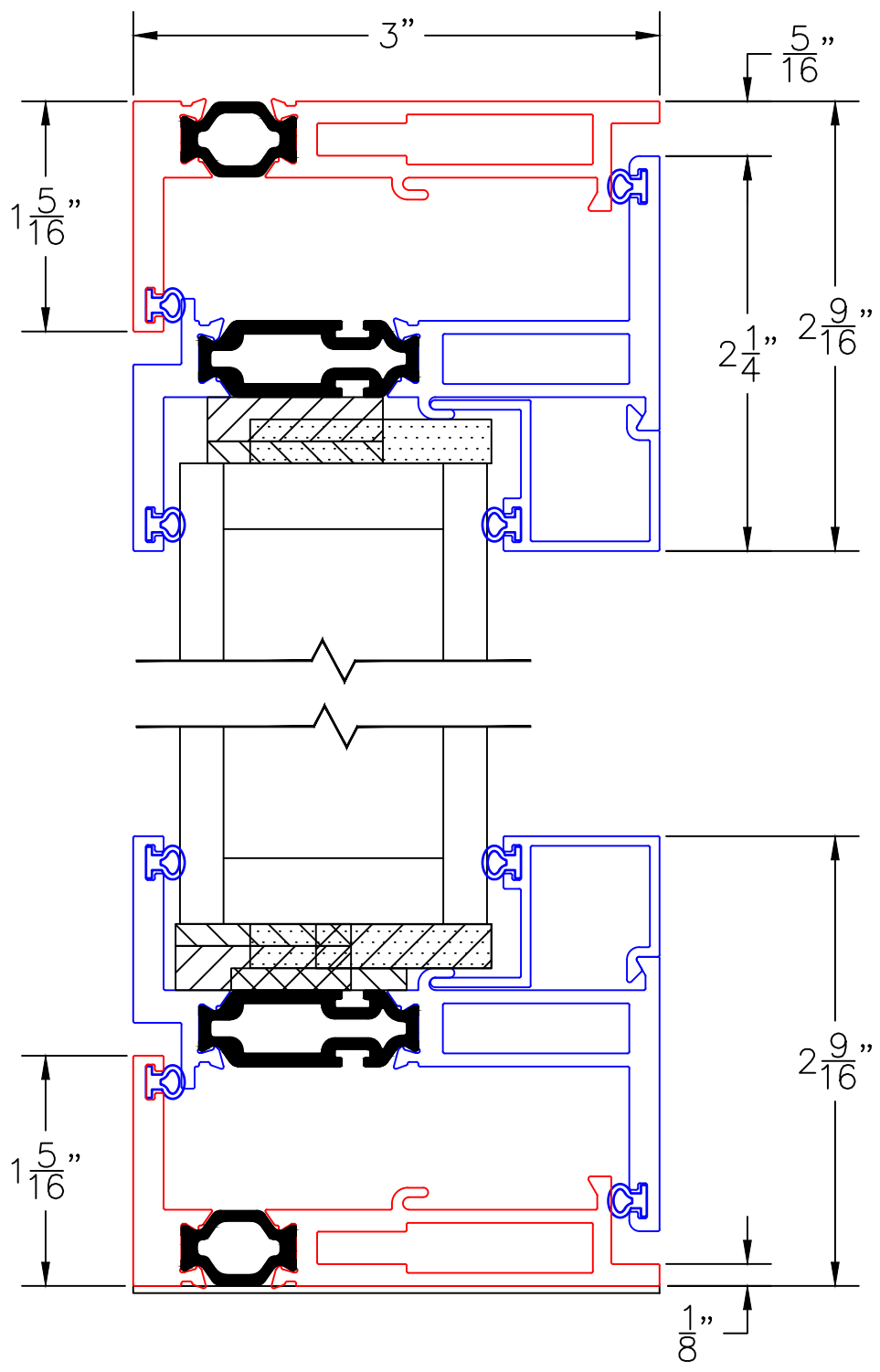
0 0.5 1
(USE RULER TO SCALE DIMENSIONS IN INCHES)
SCALE: FULL

HOPPER WINDOW DETAILS
1-3/4" INSULATED GLAZING SHOWN

1A
BLOCK HEAD

EXTERIOR

2A
BLOCK SILL
W/SILL PAN



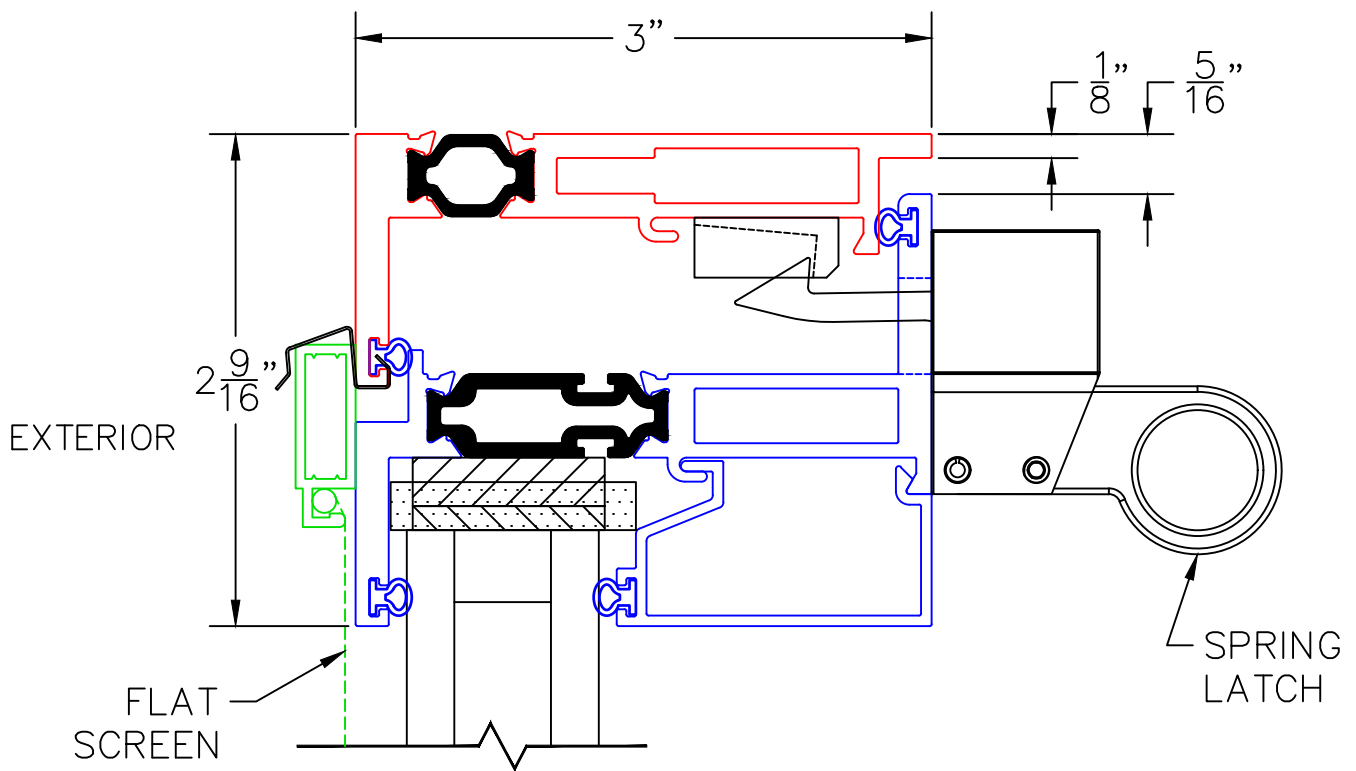
0 0.5 1
(USE RULER TO SCALE DIMENSIONS IN INCHES)

SCALE: FULL

HOPPER WINDOW DETAILS
1" INSULATED GLAZING SHOWN

3

BLOCK JAMB
FLAT SCREEN REQ'D
WITH SPRING LATCH



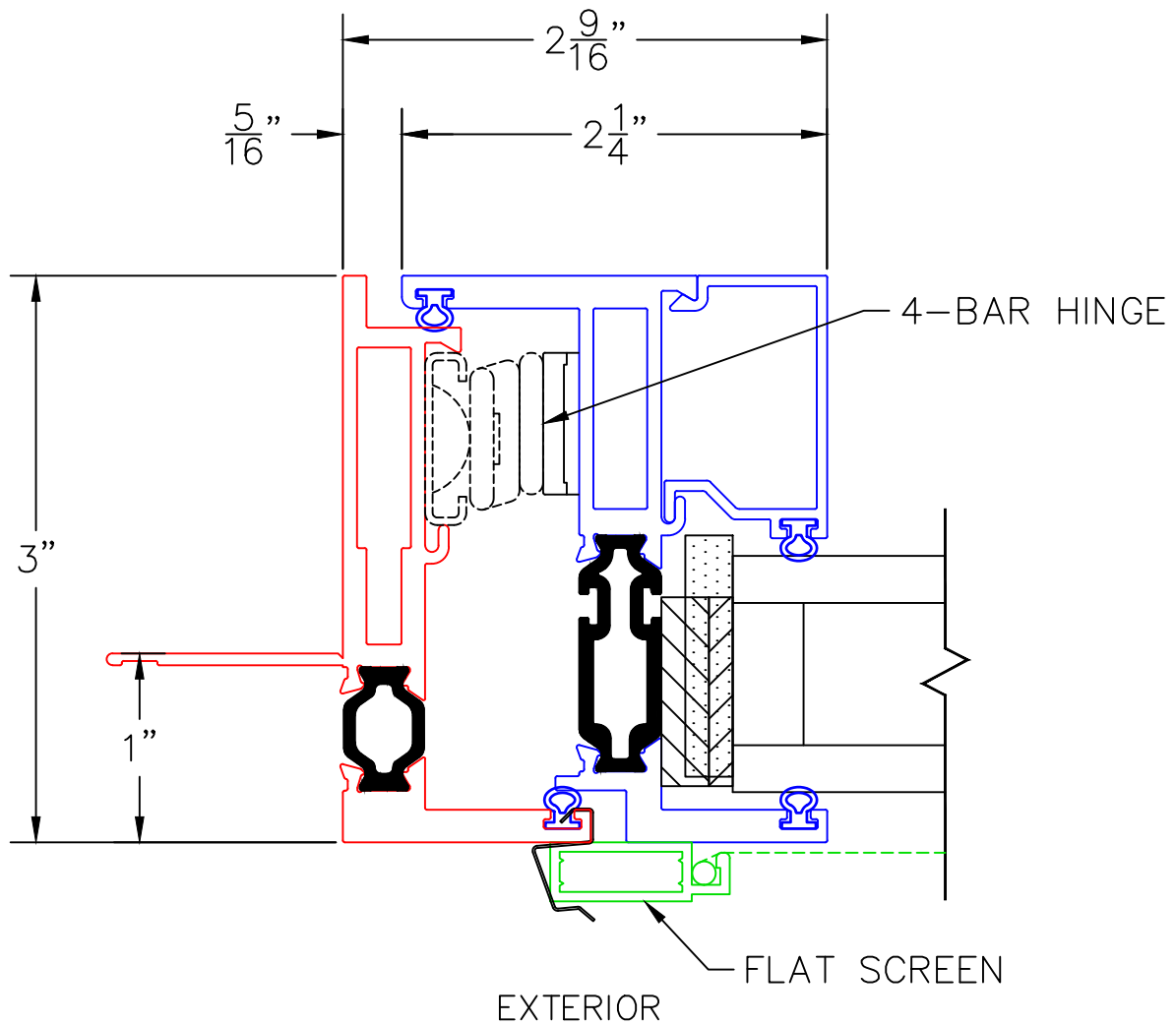
0 0.5 1
(USE RULER TO SCALE DIMENSIONS IN INCHES)

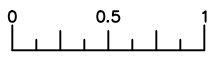
SCALE: FULL

HOPPER WINDOW DETAILS
1-1/4" INSULATED GLAZING SHOWN

4

NAIL-FIN JAMB
4-BAR HINGE REQ'D
WITH SPRING LATCH





(USE RULER TO SCALE DIMENSIONS IN INCHES)

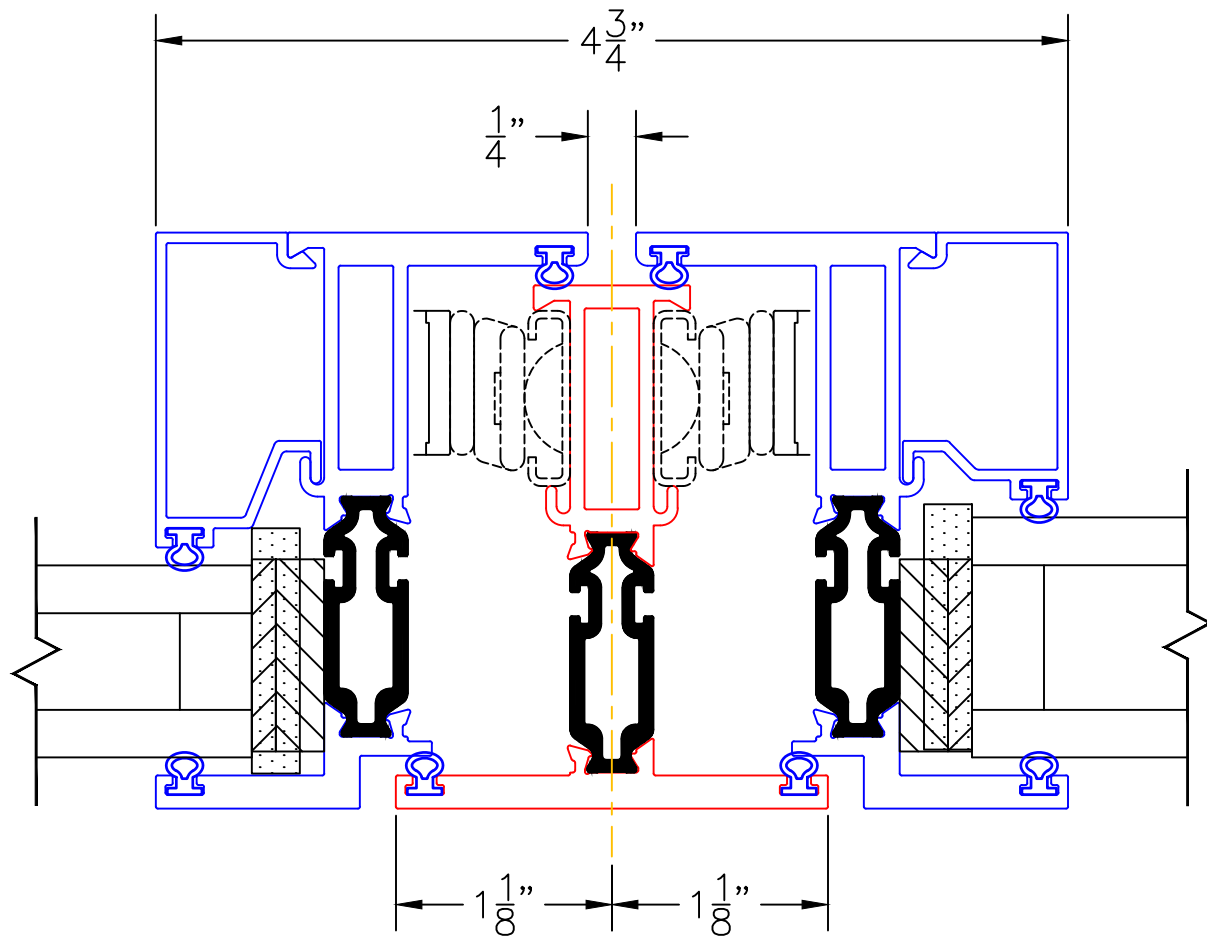
SCALE: FULL

HOPPER WINDOW DETAILS

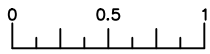
1 & 1-1/4" INSULATED GLAZING SHOWN

5

HH
TDL BAR



EXTERIOR



(USE RULER TO SCALE DIMENSIONS IN INCHES)

SCALE: FULL

HOPPER WINDOW DETAILS
1 & 1-1/4" INSULATED GLAZING SHOWN

6

H/O
TDL BAR

