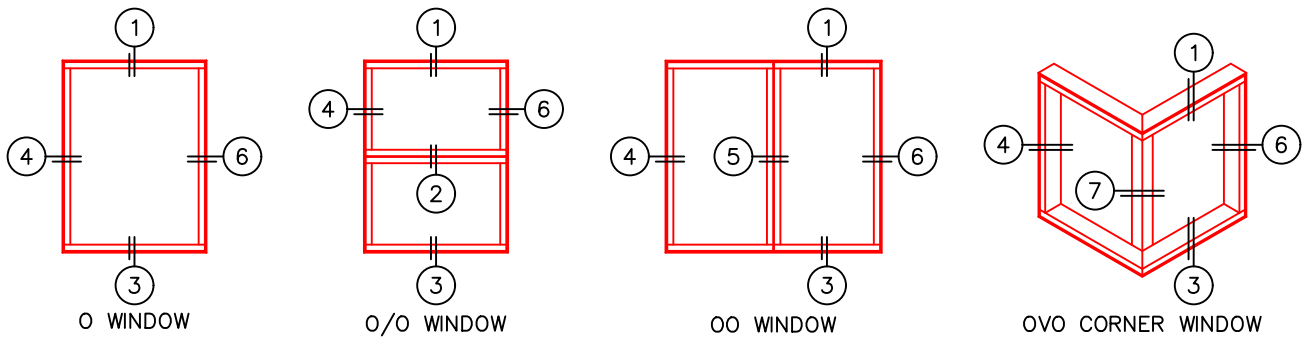
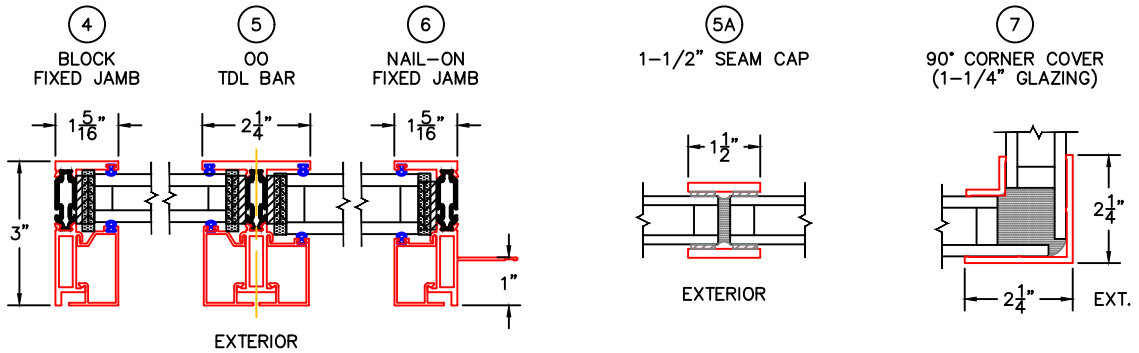
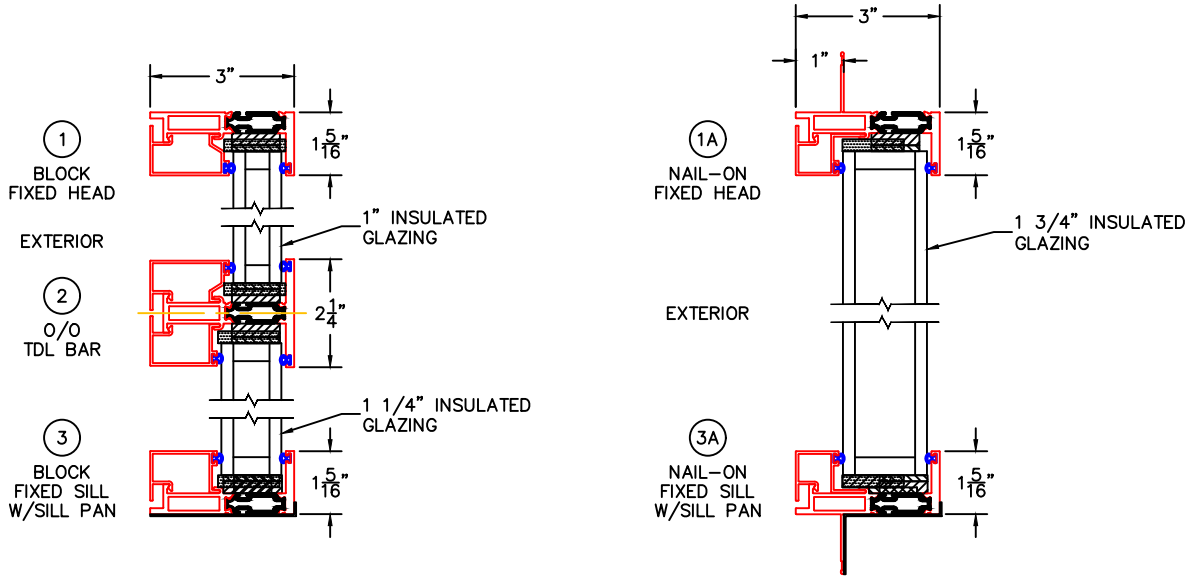


(USE RULER TO SCALE DIMENSIONS IN INCHES)

SCALE: 1/4"

GLAZED TO FRAME FIXED DETAILS
1", 1-1/4" AND 1-3/4" INSULATED GLAZING
AVAILABLE AS SHOWN



-GLASS PENETRATION = 1/2"
-EXTERIOR RATED PRODUCTS HAVE WEEP SLOTS ON HORIZONTAL SILLS.

0 0.5 1
(USE RULER TO SCALE DIMENSIONS IN INCHES)
SCALE: FULL

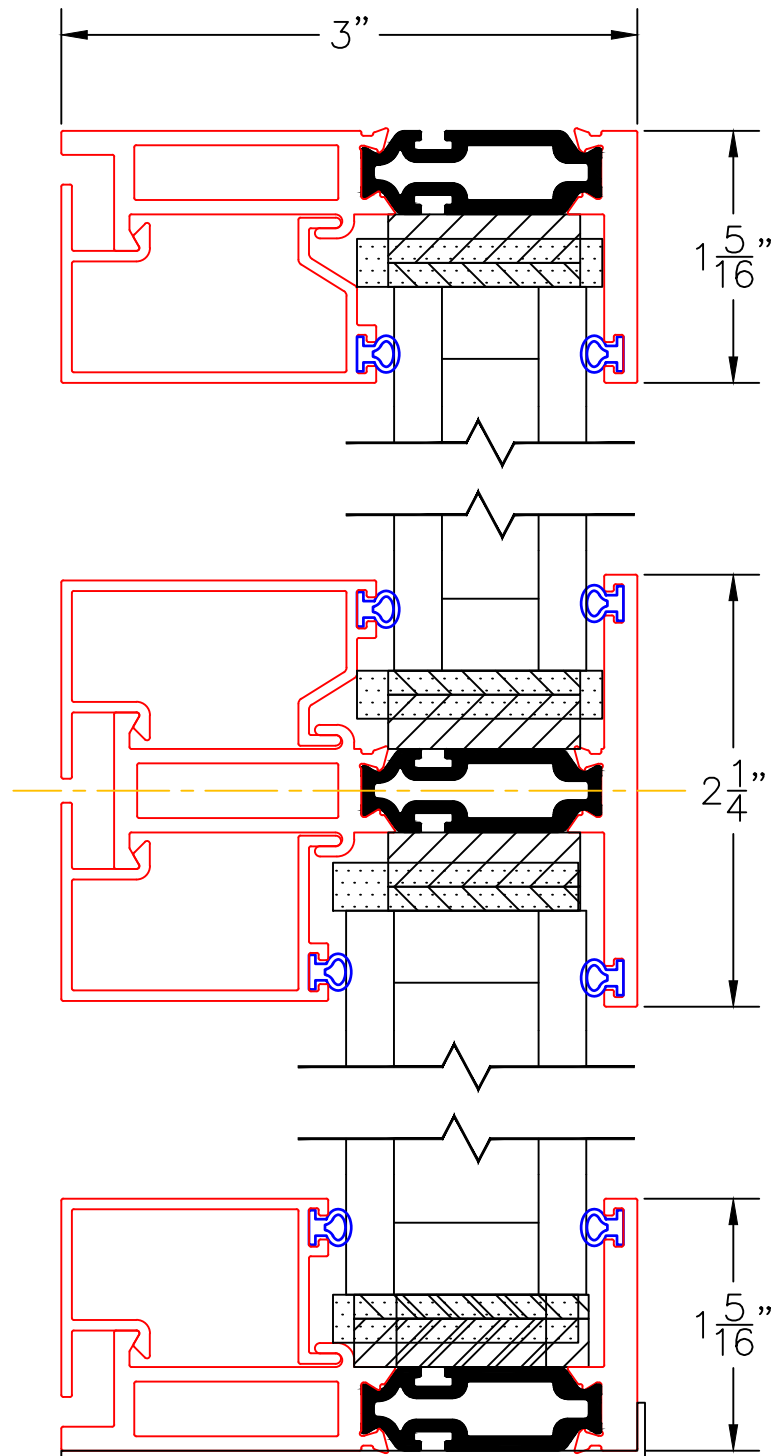
GLAZED TO FRAME FIXED UNIT DETAILS
1" & 1-1/4" INSULATED GLAZING SHOWN

1
BLOCK
FIXED HEAD

EXTERIOR

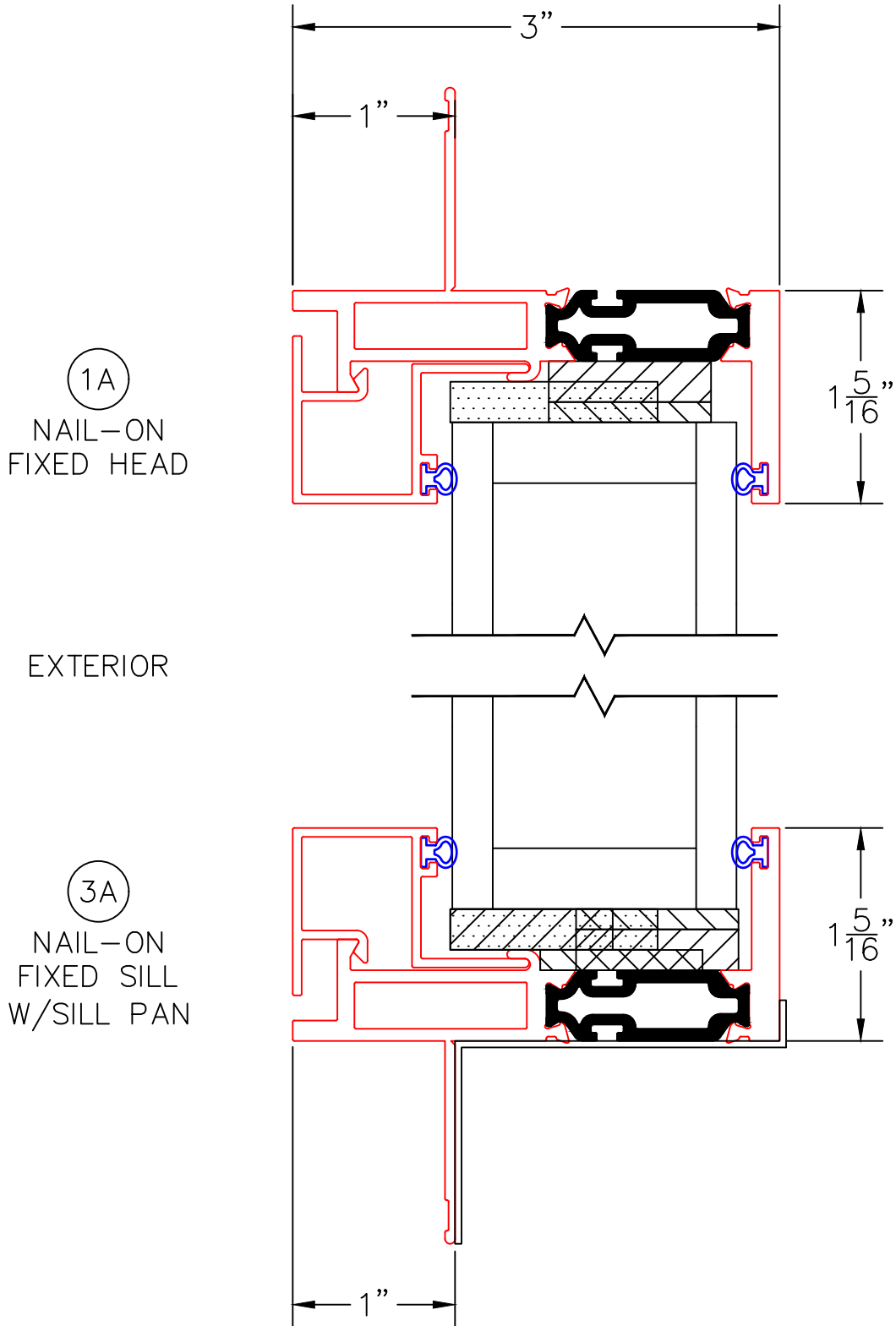
2
O/O
TDL BAR

3
BLOCK
FIXED SILL
W/SILL PAN



0 0.5 1
(USE RULER TO SCALE DIMENSIONS IN INCHES)
SCALE: FULL

GLAZED TO FRAME FIXED UNIT DETAILS
1-3/4" INSULATED GLAZING SHOWN



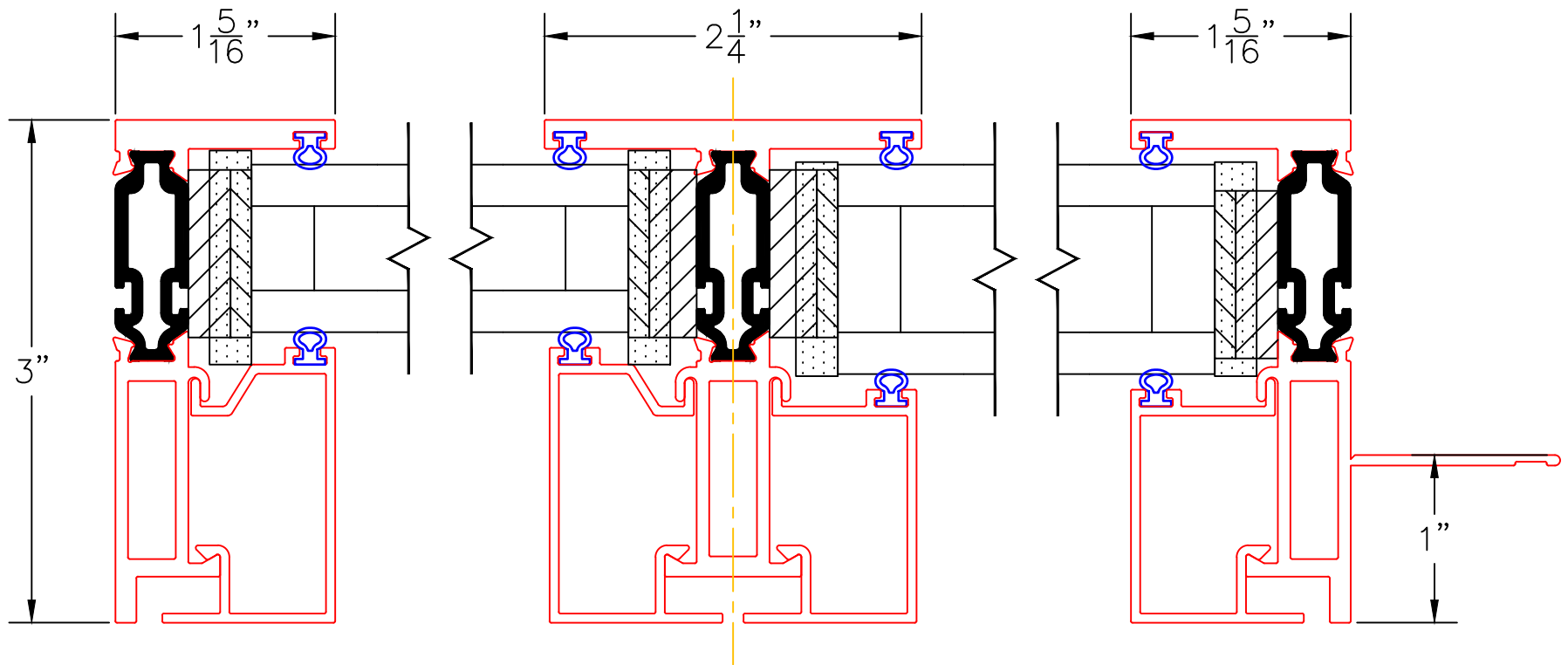
0 0.5 1
(USE RULER TO SCALE DIMENSIONS IN INCHES)
SCALE: FULL

GLAZED TO FRAME FIXED UNIT DETAILS 1 & 1-1/4" INSULATED GLAZING SHOWN

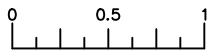
④
BLOCK
FIXED JAMB

⑤
00
TDL BAR

⑥
NAIL-ON
FIXED JAMB



EXTERIOR



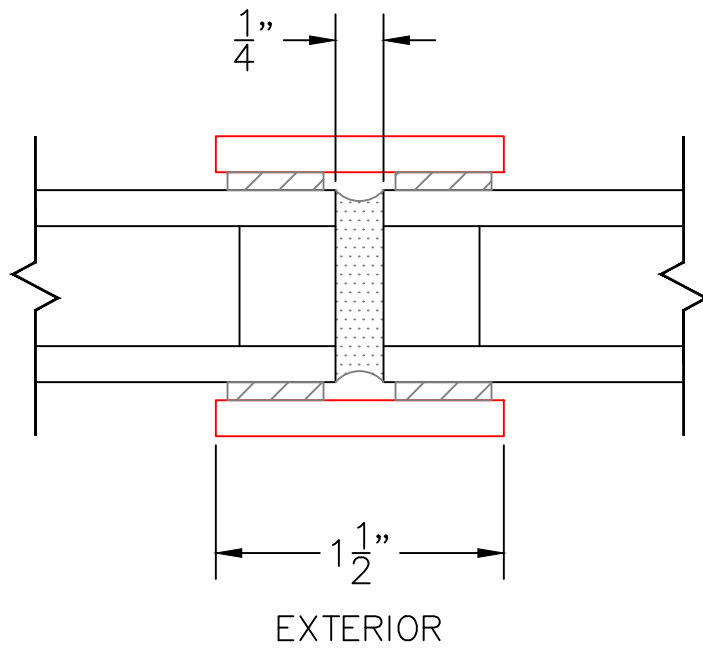
(USE RULER TO SCALE DIMENSIONS IN INCHES)

SCALE: FULL

GLAZED TO FRAME FIXED UNIT DETAILS
1" INSULATED GLAZING SHOWN

5A

1-1/2" SEAM CAP



0 0.5 1
 (USE RULER TO SCALE DIMENSIONS IN INCHES)
SCALE: FULL

GLAZED TO FRAME FIXED UNIT DETAILS
 1-1/4" INSULATED GLAZING SHOWN

7

90° CORNER COVER FOR
 1-1/4" GLAZING

